



US00D742471S

(12) **United States Design Patent**  
**Golovaty**

(10) **Patent No.:** **US D742,471 S**

(45) **Date of Patent:** **\*\* Nov. 3, 2015**

(54) **REAR HANDGUN SIGHT**

(71) Applicant: **Constantine Golovaty**, Vero Beach, FL (US)

(72) Inventor: **Constantine Golovaty**, Vero Beach, FL (US)

(73) Assignee: **CONSTANTINE GOLOVATY**, Kingston, GA (US)

(\*\*) Term: **14 Years**

(21) Appl. No.: **29/474,235**

(22) Filed: **Jul. 17, 2014**

(51) **LOC (10) Cl.** ..... **22-01**

(52) **U.S. Cl.**  
USPC ..... **D22/109**

(58) **Field of Classification Search**  
USPC ..... D22/108-109  
CPC ..... F41G 1/00; F41G 1/01; F41G 1/02; F41G 1/06; F41G 1/065; F41G 1/08; F41G 1/10; F41G 1/12; F41G 1/14; F41G 1/30; F41G 1/32; F41G 1/38; F41G 1/40; F41G 1/42; F41G 1/44; F41G 1/46; F41G 1/383; F41G 1/387; F41G 1/393; F41G 3/00; F41G 3/005; F41G 3/02; F41G 3/04; F41G 3/06; F41G 3/14; F41G 11/002; F41G 11/003; F41G 11/004; F41G 11/005

See application file for complete search history.

(56) **References Cited**

U.S. PATENT DOCUMENTS

4,375,725 A *	3/1983	Orlob .....	F41G 1/14 33/265
D305,146 S *	12/1989	Novak .....	D22/109
D305,561 S *	1/1990	Novak .....	D22/109
5,822,872 A *	10/1998	Waki .....	F41G 1/12 42/111
D403,734 S *	1/1999	Kay .....	D22/108
D432,618 S *	10/2000	Wilson .....	D22/100
D687,915 S *	8/2013	Adcock, Jr. ....	D22/109

\* cited by examiner

*Primary Examiner* — Michael A Pratt

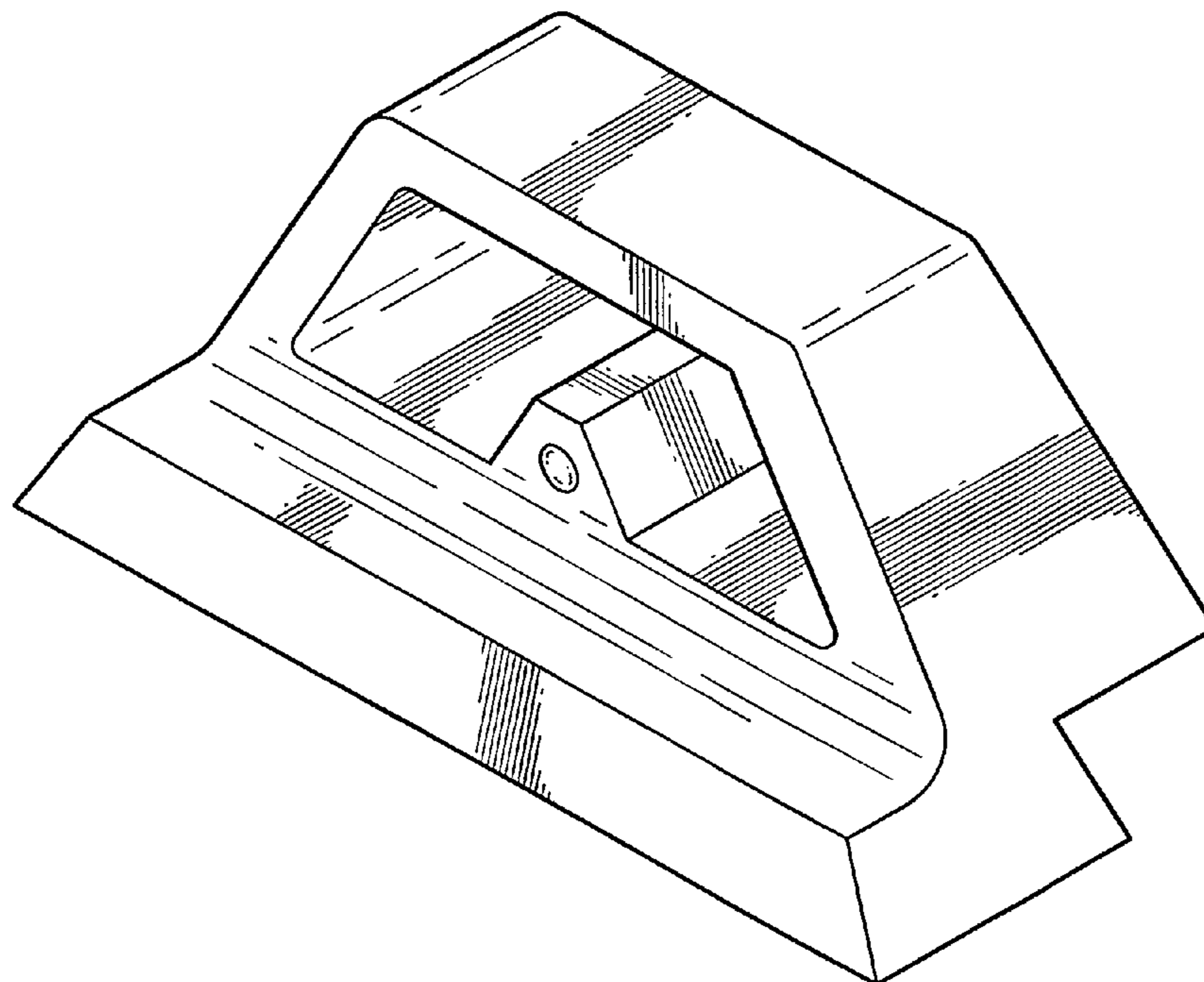
(57) **CLAIM**

The ornamental design for a rear handgun sight, as shown and described.

**DESCRIPTION**

FIG. 1 is a front perspective view of a rear handgun sight according to the present invention showing my design; FIG. 2 is a rear view of the handgun sight of FIG. 1; FIG. 3 is a front view of the handgun sight of FIG. 1; FIG. 4 is a left side view of the handgun sight of FIG. 1; FIG. 5 is a right side view of the handgun sight of FIG. 1; FIG. 6 is a top view of the handgun sight of FIG. 1; and, FIG. 7 is a bottom view of the handgun sight of FIG. 1. The broken lines are for illustrative purposes only and form no part of the claimed invention.

**1 Claim, 4 Drawing Sheets**



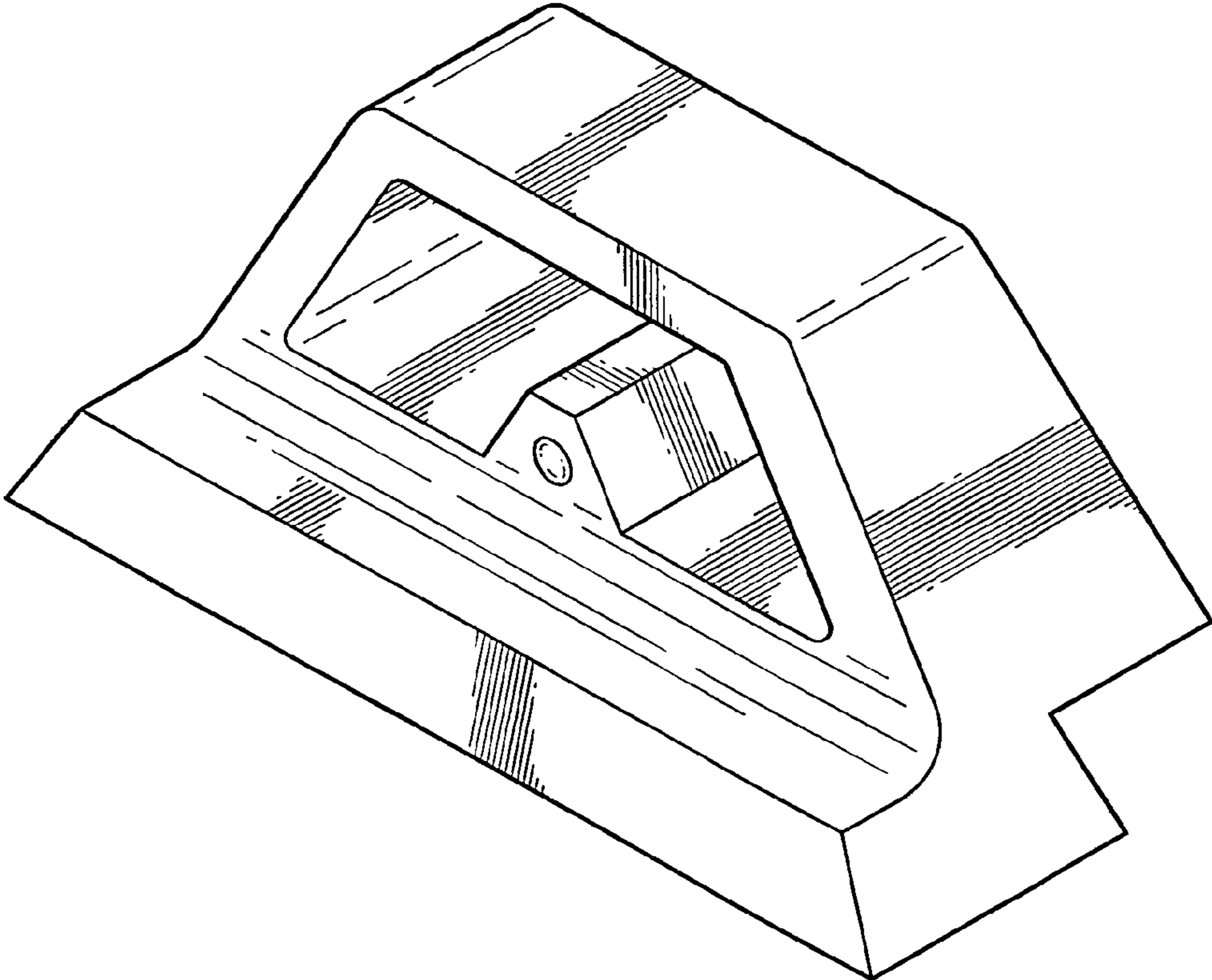


FIG.1

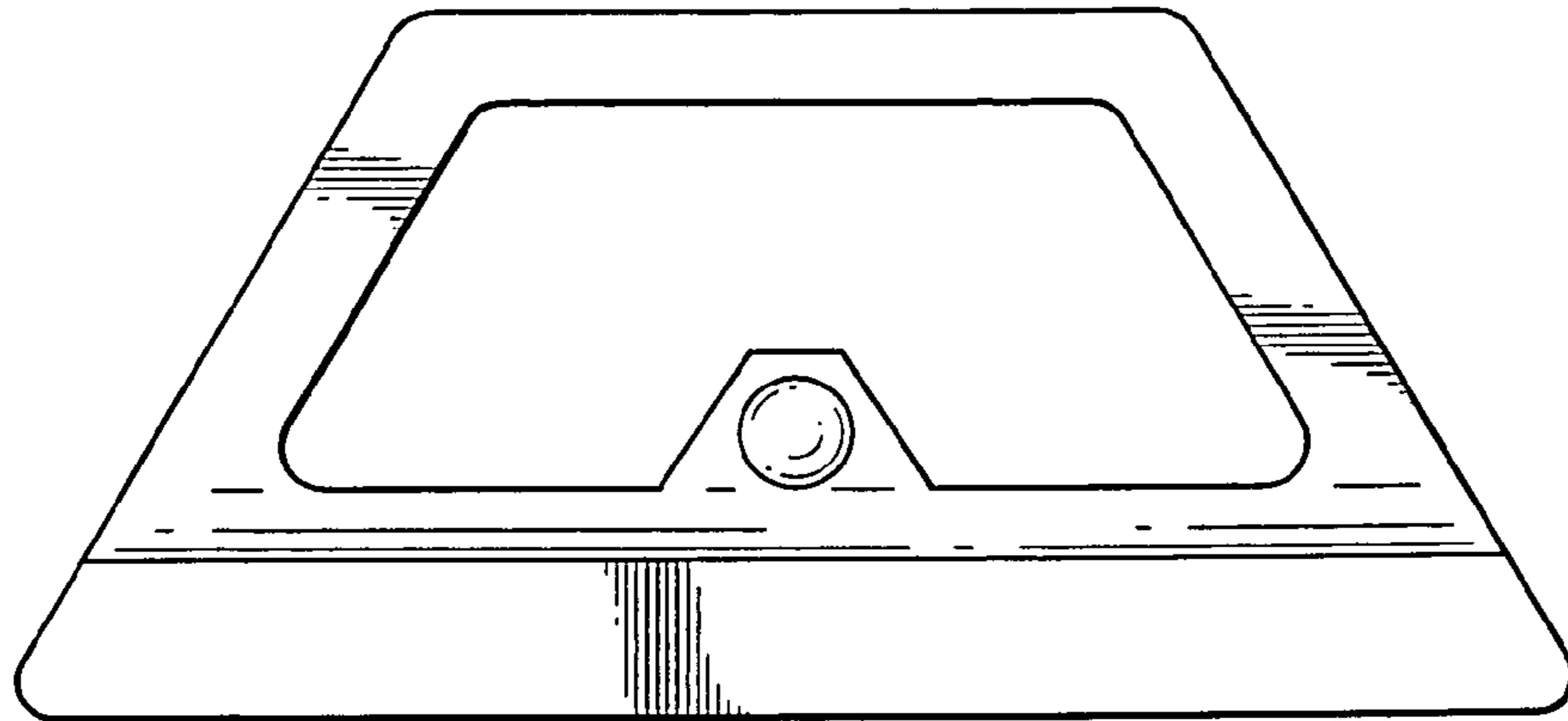


FIG. 2

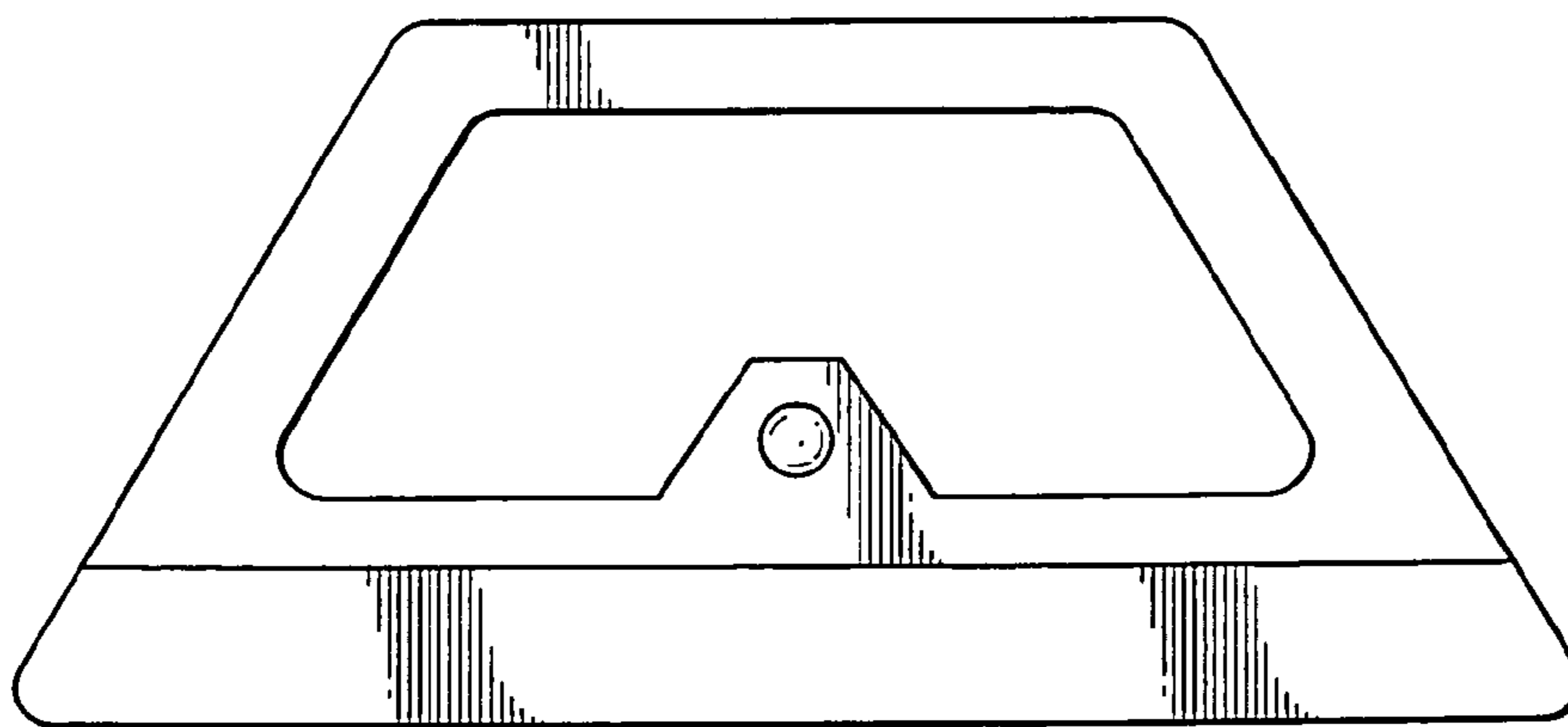


FIG. 3

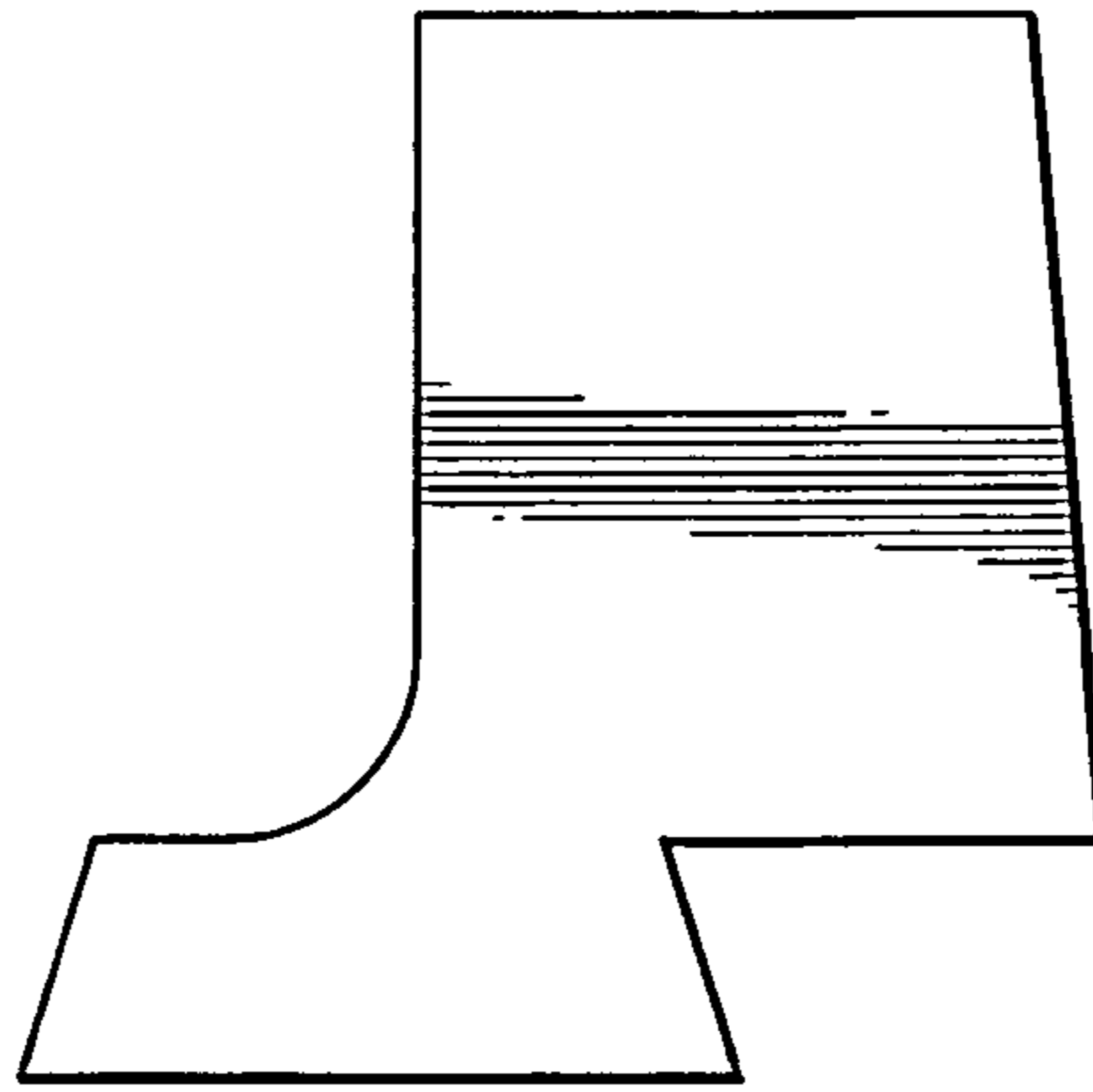


FIG. 4

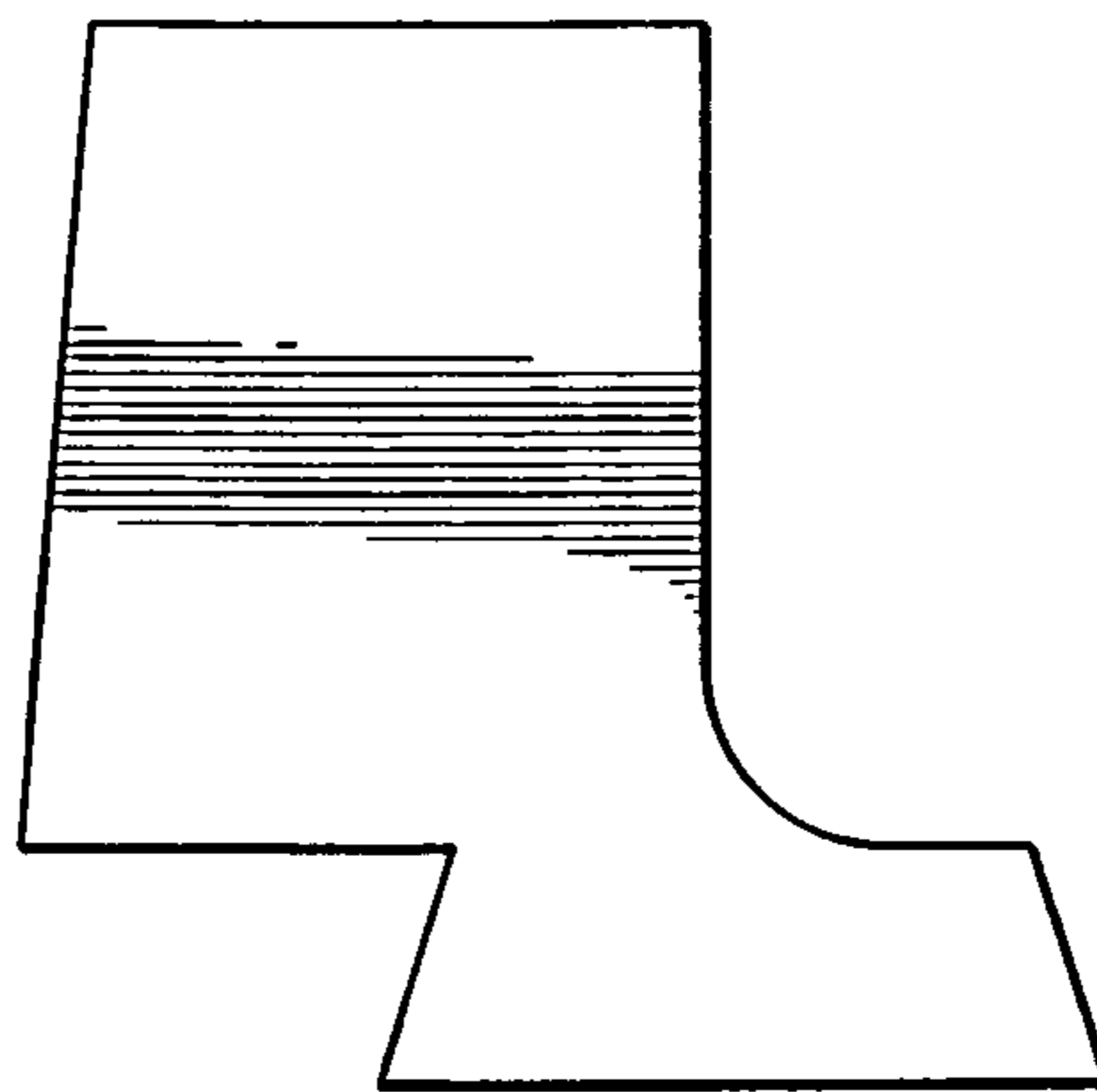


FIG. 5

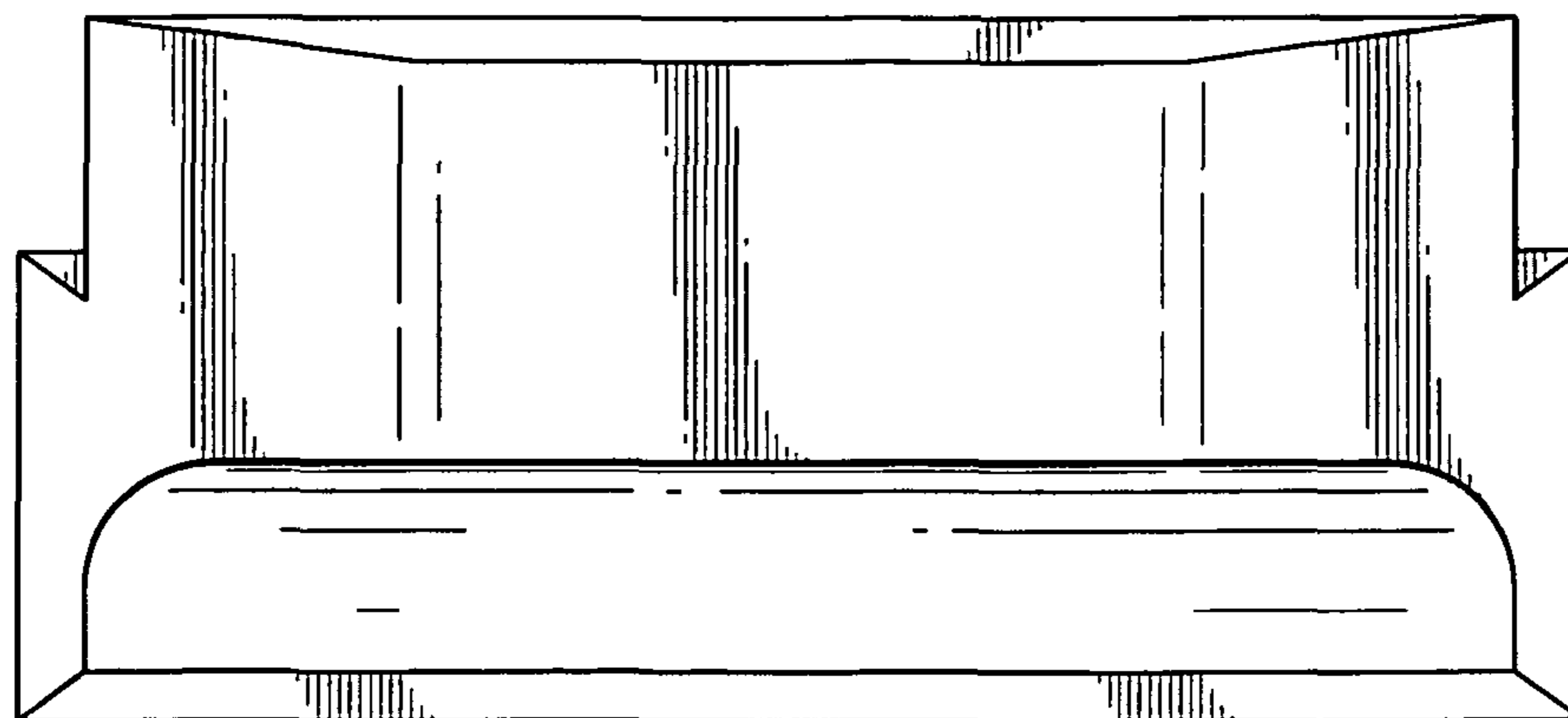


FIG. 6

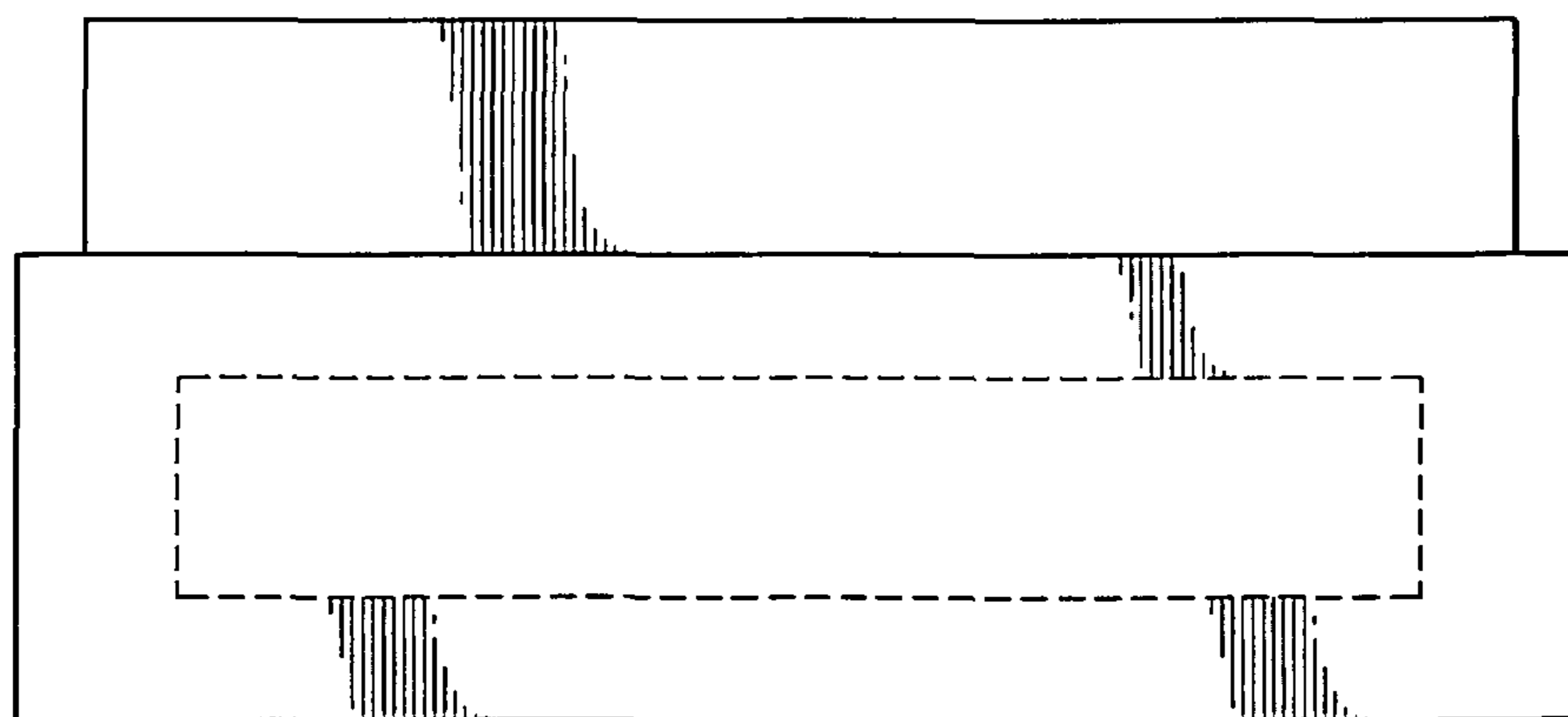


FIG. 7