



US00D742469S

(12) **United States Design Patent**
Gall

(10) **Patent No.:** **US D742,469 S**

(45) **Date of Patent:** **** Nov. 3, 2015**

(54) **ANNULAR ARROW FLETCH**

(71) Applicant: **Timothy L. Gall**, Morgan Hill, CA (US)

(72) Inventor: **Timothy L. Gall**, Morgan Hill, CA (US)

(**) Term: **14 Years**

(21) Appl. No.: **29/484,367**

(22) Filed: **Mar. 8, 2014**

(51) **LOC (10) Cl.** **22-01**

(52) **U.S. Cl.**
USPC **D22/107**

(58) **Field of Classification Search**
USPC D22/100-104, 108, 199; 124/16-29,
124/86-92
CPC F41B 5/00; F41B 5/1403; F42B 10/02;
F42B 10/025; F42B 10/04; F42B 10/06;
F42B 10/12; F42B 10/14143; F42B 10/146;
F42B 10/16; F42B 10/18; F42B 10/20;
F42B 10/22; F42B 10/26

See application file for complete search history.

(56) **References Cited**

U.S. PATENT DOCUMENTS

1,424,672	A *	8/1922	Ogrissek	416/193 R
3,815,916	A *	6/1974	Meszaros	473/586
4,589,778	A *	5/1986	Mitchell	366/316
5,846,147	A *	12/1998	Basik	473/586
6,454,623	B1 *	9/2002	Flatau	446/34
7,331,886	B2 *	2/2008	Morris et al.	473/578
7,832,981	B2 *	11/2010	Hasan et al.	415/119
7,955,201	B2 *	6/2011	Harwath et al.	473/578

* cited by examiner

Primary Examiner — Michael A Pratt

(74) *Attorney, Agent, or Firm* — David E. Crites

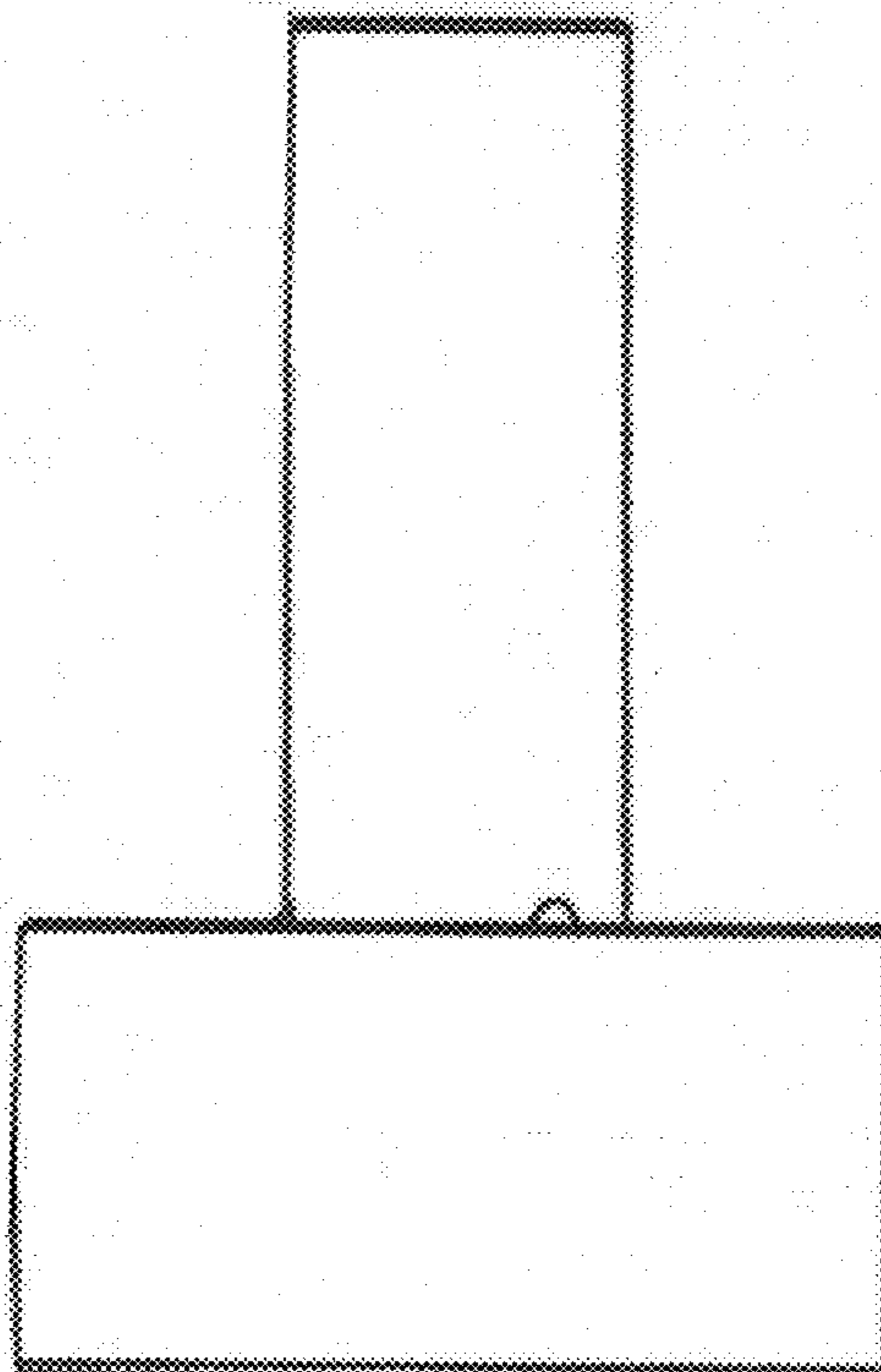
(57) **CLAIM**

The ornamental design for an annular arrow fletch, substantially as shown and described.

DESCRIPTION

FIG. 1 is a right side elevation view thereof;
FIG. 2 is a perspective view thereof;
FIG. 3 is a cross section view, thereof, taken from FIG. 5; and
FIG. 4 is a bottom plan view thereof; and,
FIG. 5 is a bottom plan view thereof showing the location of the cross section of FIG. 3.
The left side elevation view is a mirror image of the right side elevation view.

1 Claim, 3 Drawing Sheets



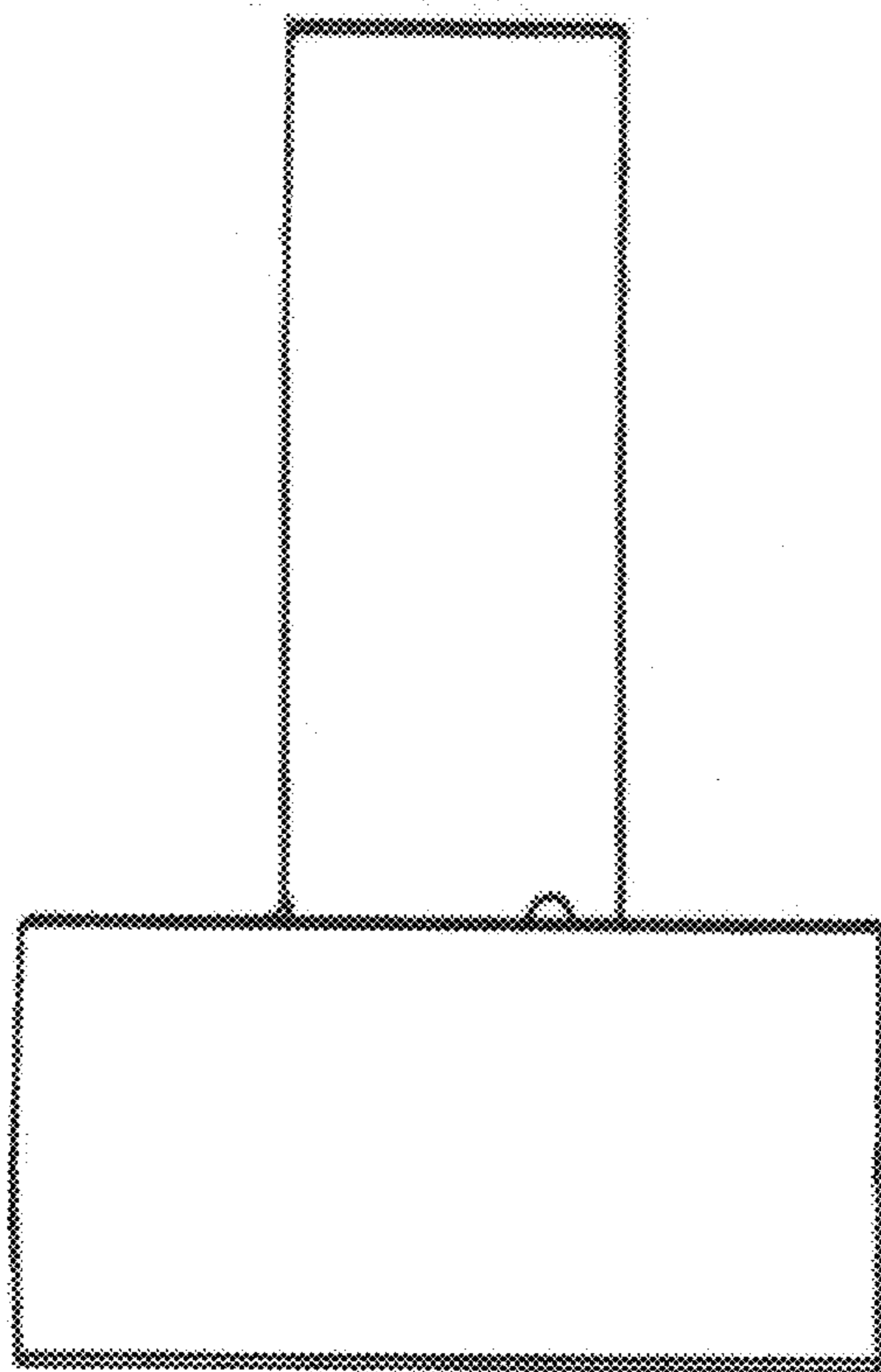


FIG 1.

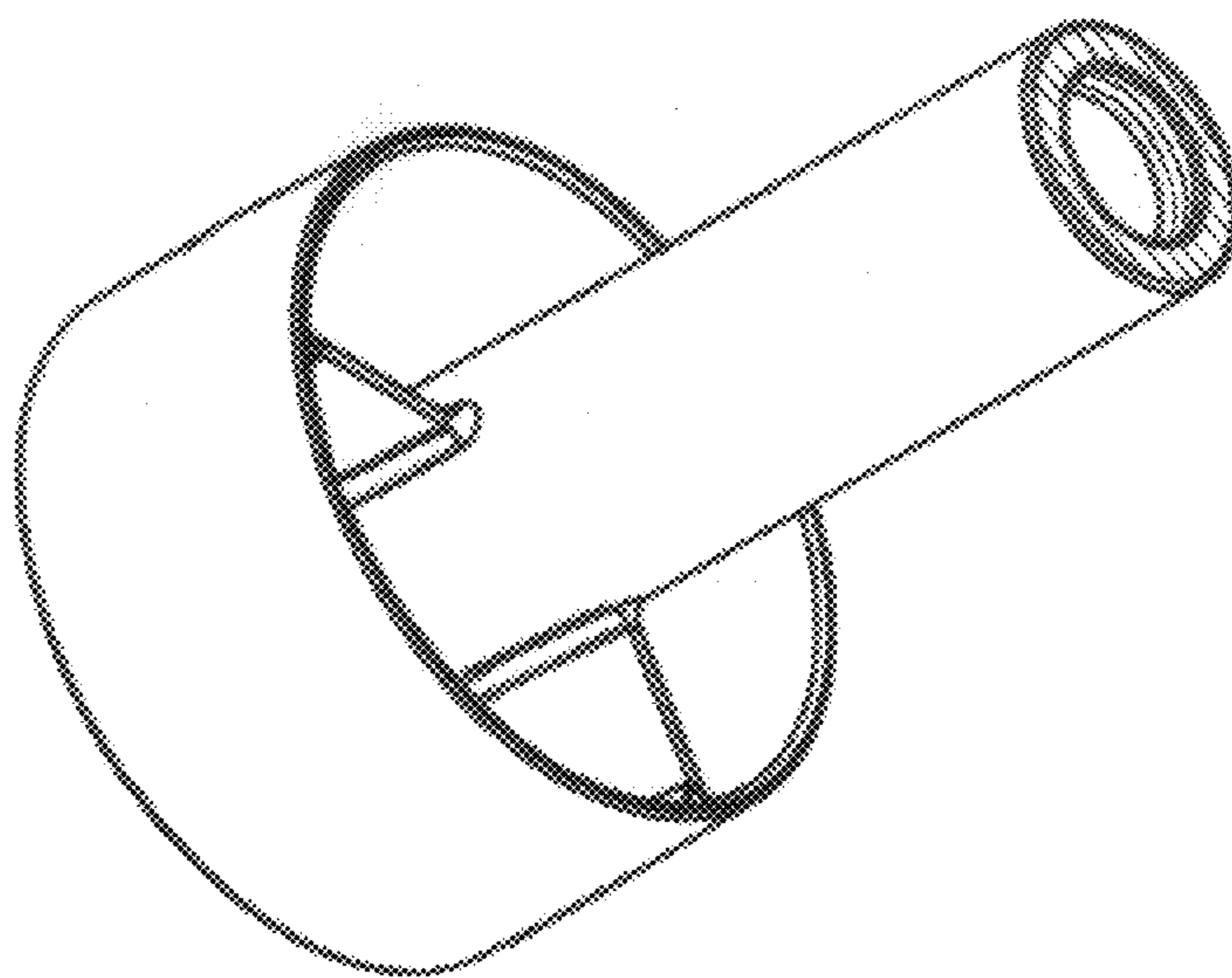


FIG 2.

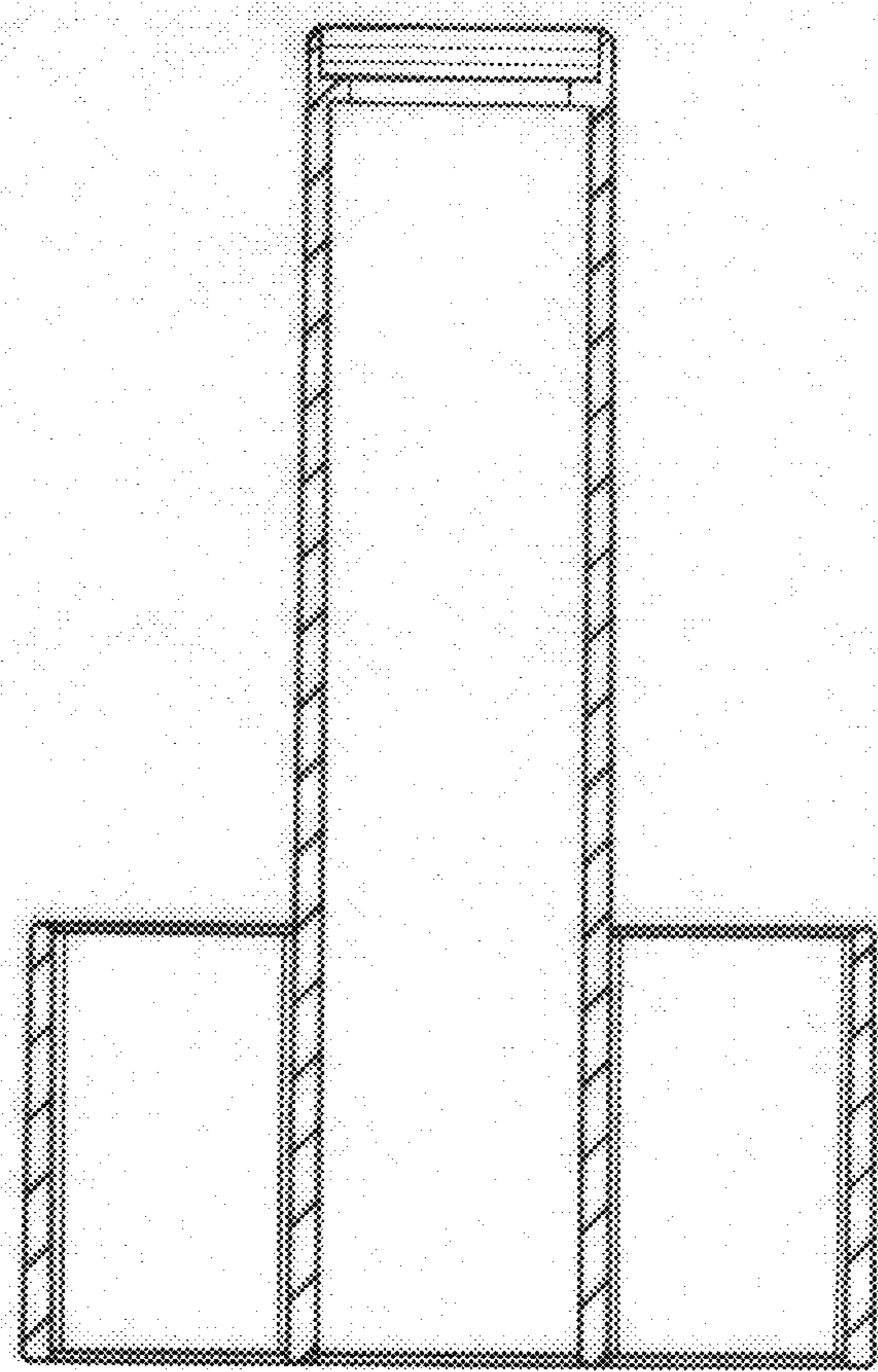


FIG 3.

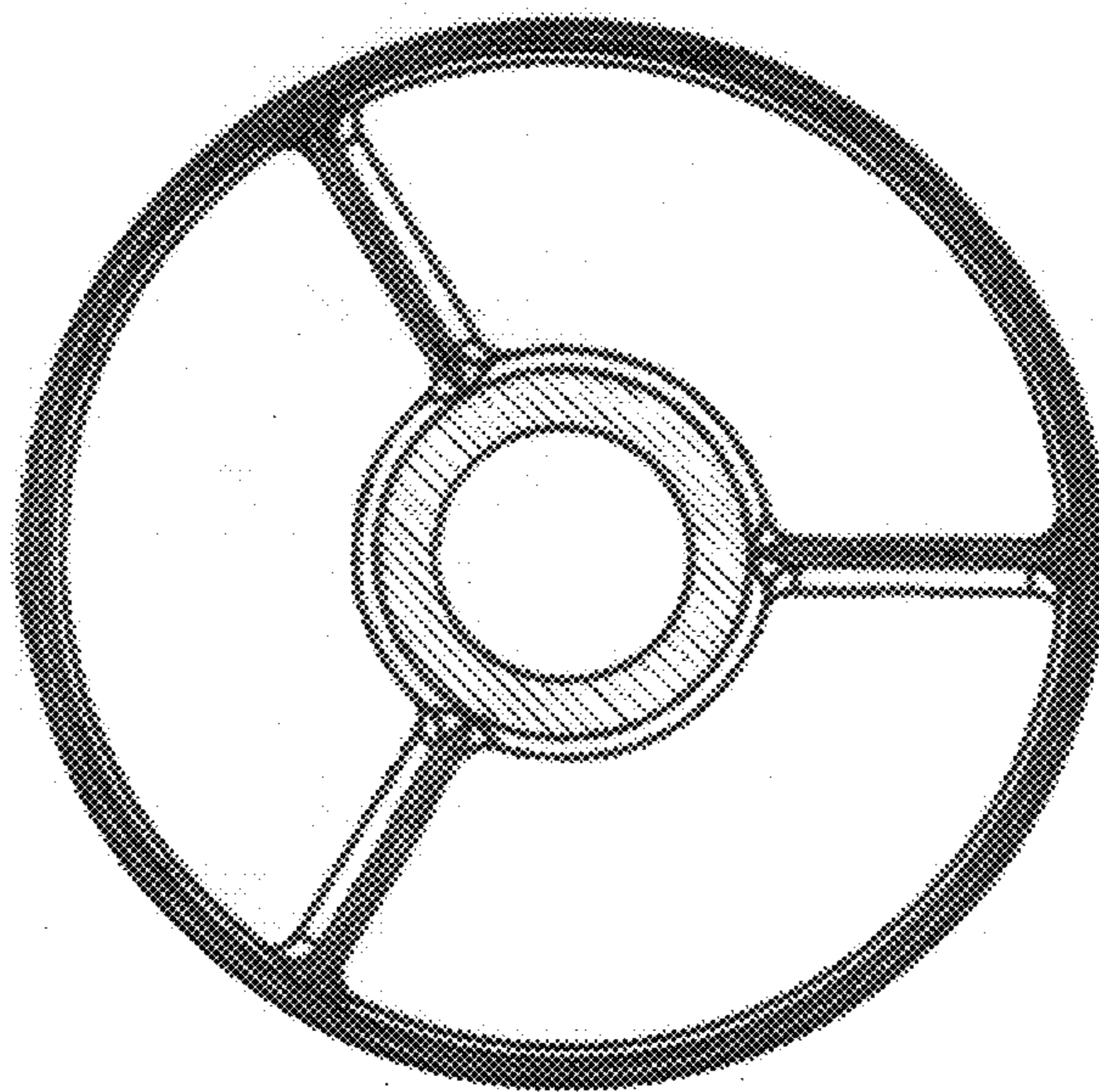


FIG 4.

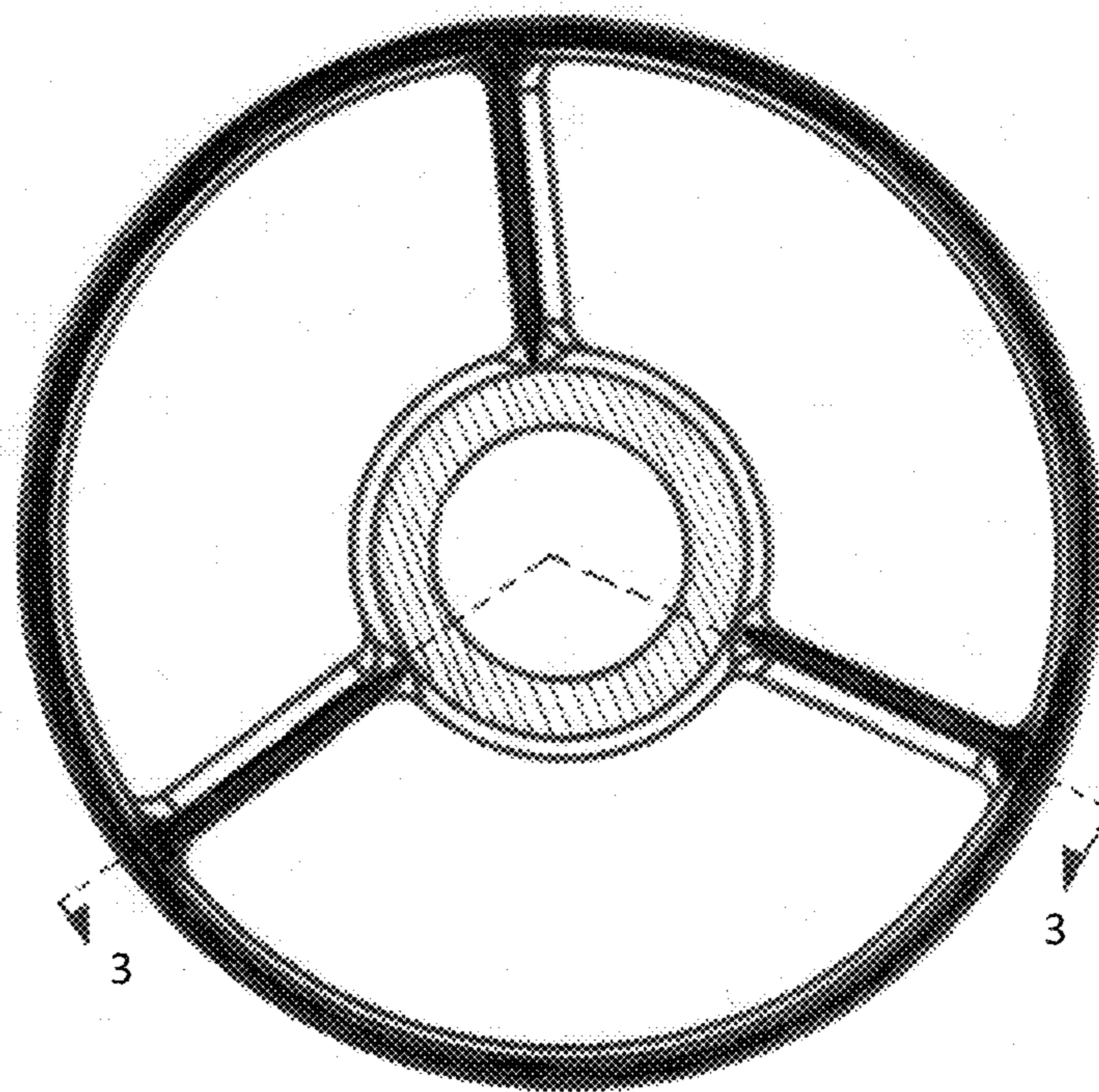


FIG 5.