



US00D742468S

(12) **United States Design Patent**  
**Pasichnyk**

(10) **Patent No.:** **US D742,468 S**

(45) **Date of Patent:** **\*\* Nov. 3, 2015**

(54) **SHORT-BARRELED RIFLE**  
(71) Applicant: **SPORT MANUFACTURING GROUP INC.**, Forest Hills, NY (US)

(72) Inventor: **Gennadii Pasichnyk**, Berlin (DE)

(73) Assignee: **Sport Manufacturing Group Inc.**, Forest Hills, NY (US)

(\*\*) Term: **14 Years**

(21) Appl. No.: **29/487,868**

(22) Filed: **Apr. 14, 2014**

(51) **LOC (10) Cl.** ..... **22-01**

(52) **U.S. Cl.**  
USPC ..... **D22/103**

(58) **Field of Classification Search**  
USPC ..... D22/103, 108; 42/51, 71.01, 75.01, 42/75.02, 90, 94, 134, 136, 139, 125, 72, 42/111; 89/40.06, 41.19, 37.04, 33.04, 89/191.01, 200-204; 124/67, 66, 72, 74; D21/572-575  
CPC ..... F41C 7/00; F41C 7/11; F41C 7/12  
See application file for complete search history.

(56) **References Cited**

**U.S. PATENT DOCUMENTS**

1,542,477	A *	6/1925	Savage	42/16
1,908,035	A *	5/1933	Loomis	42/17
2,224,928	A *	12/1940	Reising	89/146
2,543,604	A *	2/1951	Singer	42/16
2,630,645	A *	3/1953	Olson	42/17
3,494,216	A *	2/1970	Haskins	42/16

4,126,079	A *	11/1978	Perrine	89/190
4,391,058	A *	7/1983	Casull	42/69.02
2003/0089014	A1 *	5/2003	Schuerman	42/16
2010/0162605	A1 *	7/2010	Laney et al.	42/25

**OTHER PUBLICATIONS**

[http://www.imfdb.org/wiki/Mosin\\_Nagant\\_Rifle](http://www.imfdb.org/wiki/Mosin_Nagant_Rifle)[Jun. 17, 2015 11:10:22 AM].\*  
<http://www.armslist.com/posts/1929376/roanoke-virginia-nfa-fire-arms-for-sale--obrez-mosin-nagant-pistol--sbr->[Jun. 17, 2015 11:07:00 AM].\*

\* cited by examiner

*Primary Examiner* — Michael A Pratt

(74) *Attorney, Agent, or Firm* — Anna Vishev, Esq.

(57) **CLAIM**

The ornamental design for a short-barreled rifle, as shown and described.

**DESCRIPTION**

FIG. 1 is a left side view of a short-barreled rifle according to my new design;  
FIG. 2 is a bottom plan view thereof;  
FIG. 3 is a top plan view thereof;  
FIG. 4 is a right side view thereof;  
FIG. 5 is a left side perspective view thereof as viewed from above;  
FIG. 6 is a left side perspective view thereof as viewed from the bottom;  
FIG. 7 is a rear view thereof; and,  
FIG. 8 is a front view thereof.

**1 Claim, 8 Drawing Sheets**

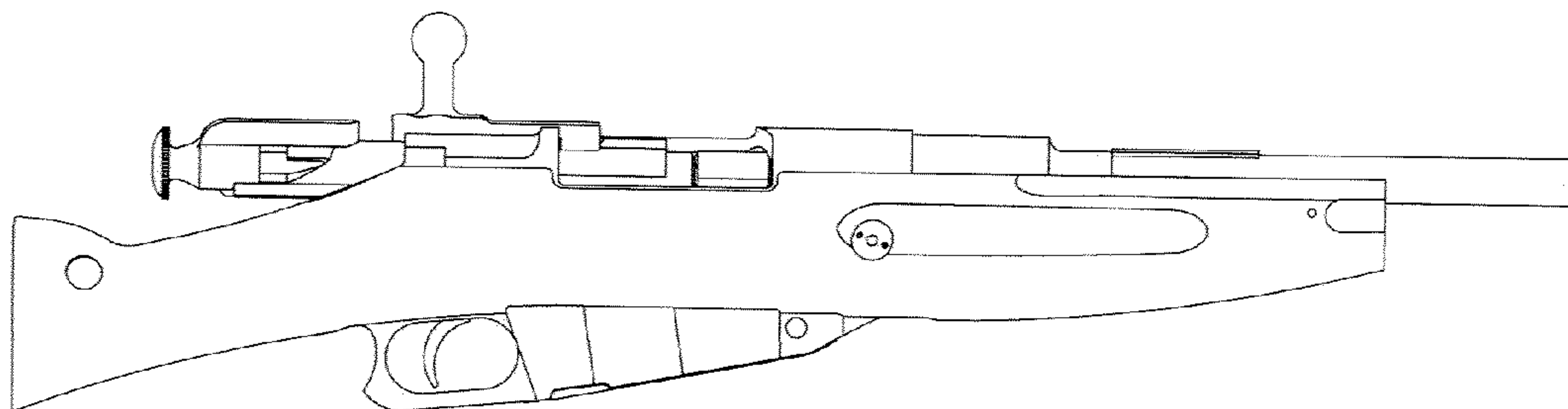


FIG. 1

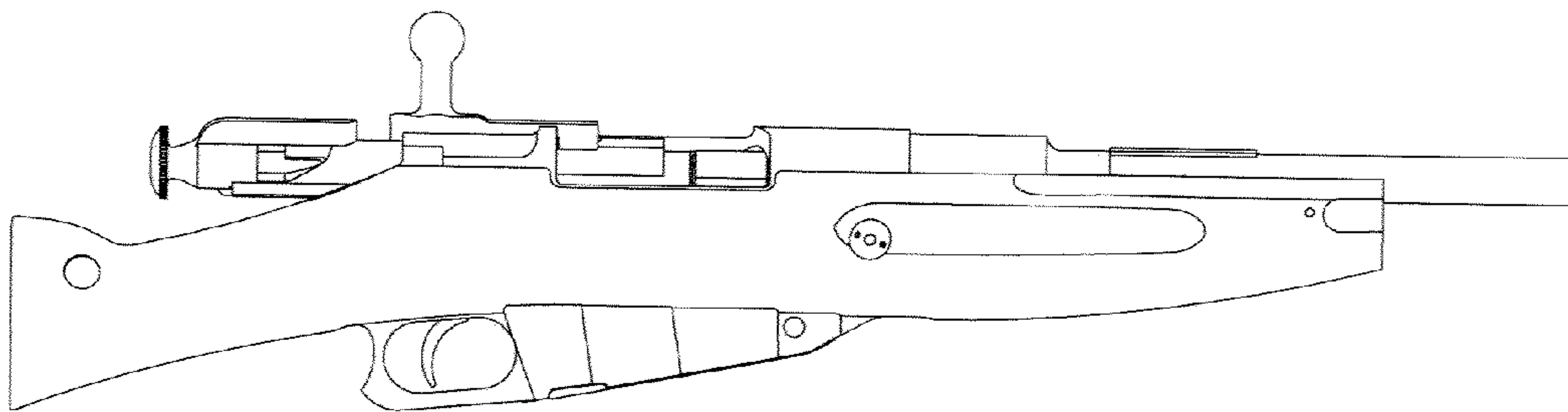


FIG. 2

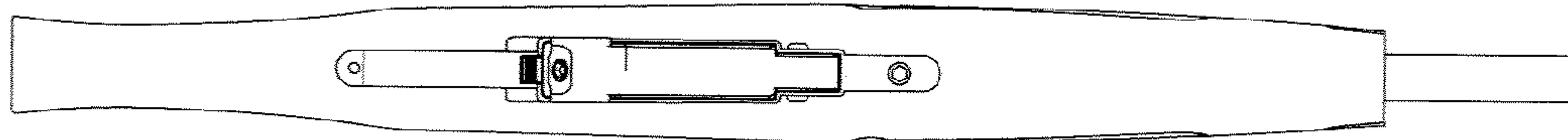


FIG. 3

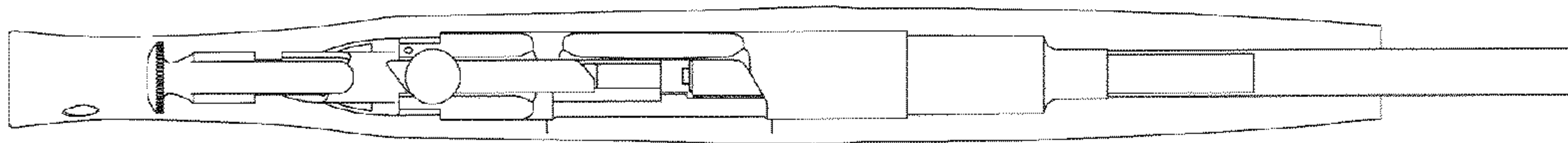


FIG. 4

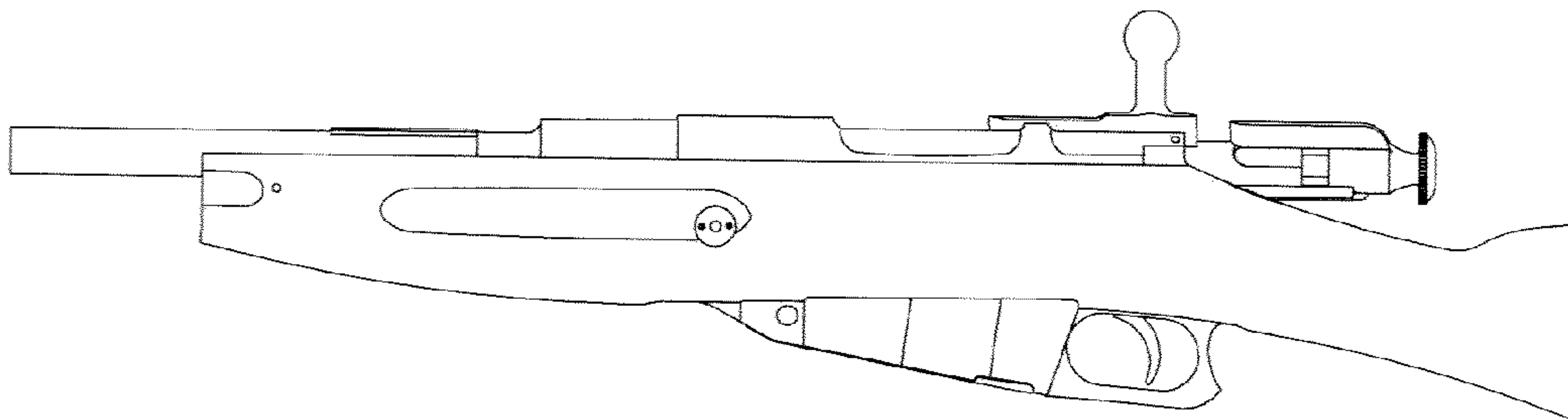


FIG. 5

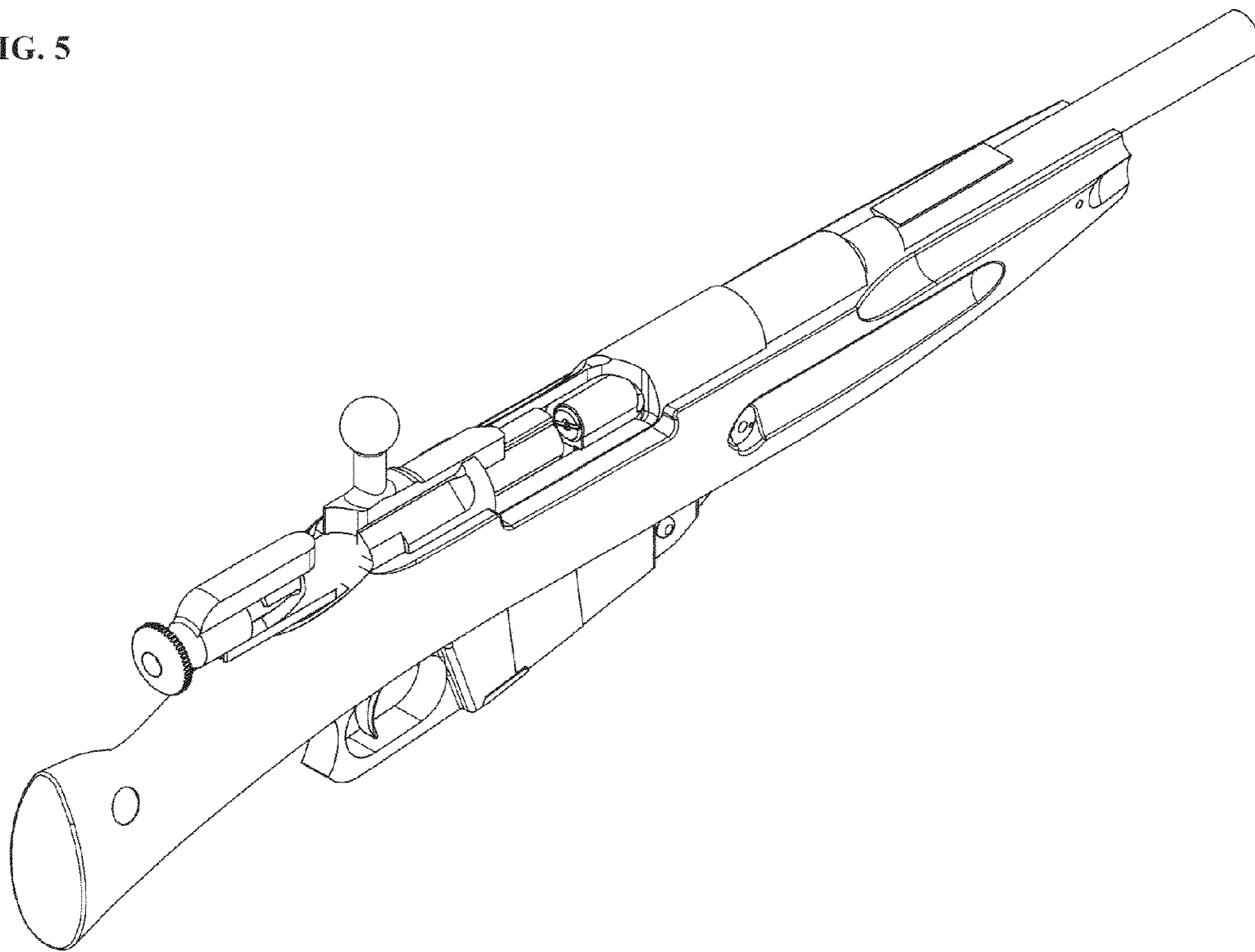


FIG. 6

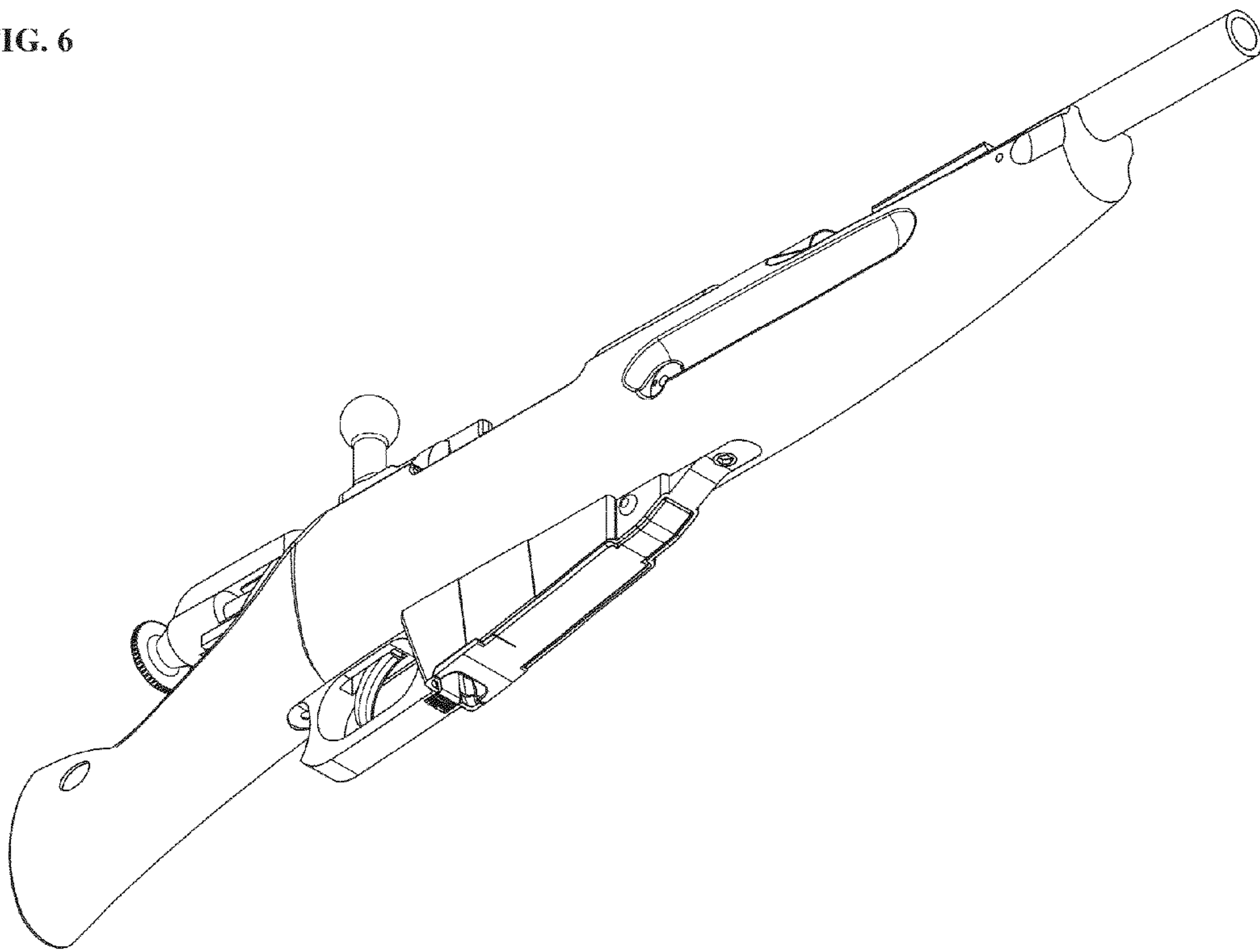


FIG. 7

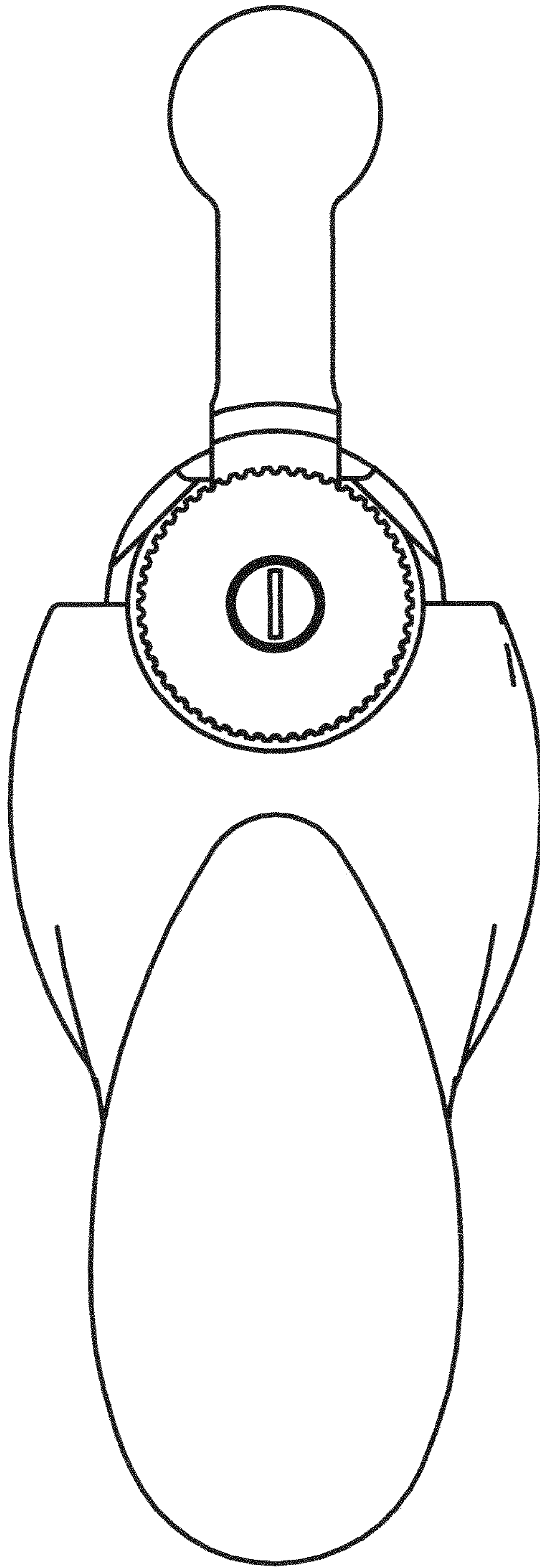




FIG. 8

