



US00D742467S

(12) **United States Design Patent**
Giorgi

(10) **Patent No.:** **US D742,467 S**

(45) **Date of Patent:** **** Nov. 3, 2015**

(54) **TRAMPOLINE**

(71) Applicant: **Bernadette G Giorgi**, Turnersville, NJ
(US)

(72) Inventor: **Bernadette G Giorgi**, Turnersville, NJ
(US)

(**) Term: **14 Years**

(21) Appl. No.: **29/499,364**

(22) Filed: **Aug. 14, 2014**

(51) **LOC (10) Cl.** **21-02**

(52) **U.S. Cl.**
USPC **D21/797**

(58) **Field of Classification Search**
USPC D21/797, 668, 669, 834, 826; D6/716;
482/27, 35, 29, 112, 33, 110, 148, 28,
482/77, 147, 51; 297/452.18; 135/96, 117;
D30/112; D25/1, 16, 22, 56; 446/220;
473/469; 182/139, 224; 273/395, 402
CPC A63B 5/11; A63B 21/023; A63B 2208/12;
A63B 71/022; A63B 2210/50
See application file for complete search history.

(56) **References Cited**

U.S. PATENT DOCUMENTS

4,477,070	A *	10/1984	Appelbaum	482/28
4,489,933	A *	12/1984	Fisher et al.	482/28
4,598,905	A	7/1986	Vrana		
4,730,826	A *	3/1988	Sudmeier	482/71
D304,850	S *	11/1989	Chambers	D21/797
D325,951	S *	5/1992	Johnson	D21/797

D362,478	S *	9/1995	Wilkinson et al.	D21/797
D363,325	S *	10/1995	Wilkinson	D21/797
D384,115	S *	9/1997	Wilkinson et al.	D21/668
D712,185	S *	9/2014	Akkad	D6/716
2006/0172861	A1 *	8/2006	Wang et al.	482/27
2006/0223676	A1	10/2006	Rote		
2009/0280961	A1	11/2009	Ikegami		
2015/0080186	A1 *	3/2015	Carlin et al.	482/27

* cited by examiner

Primary Examiner — Robert M Spear

Assistant Examiner — Ryan Harvey

(74) *Attorney, Agent, or Firm* — QuickPatents; Kevin Prince

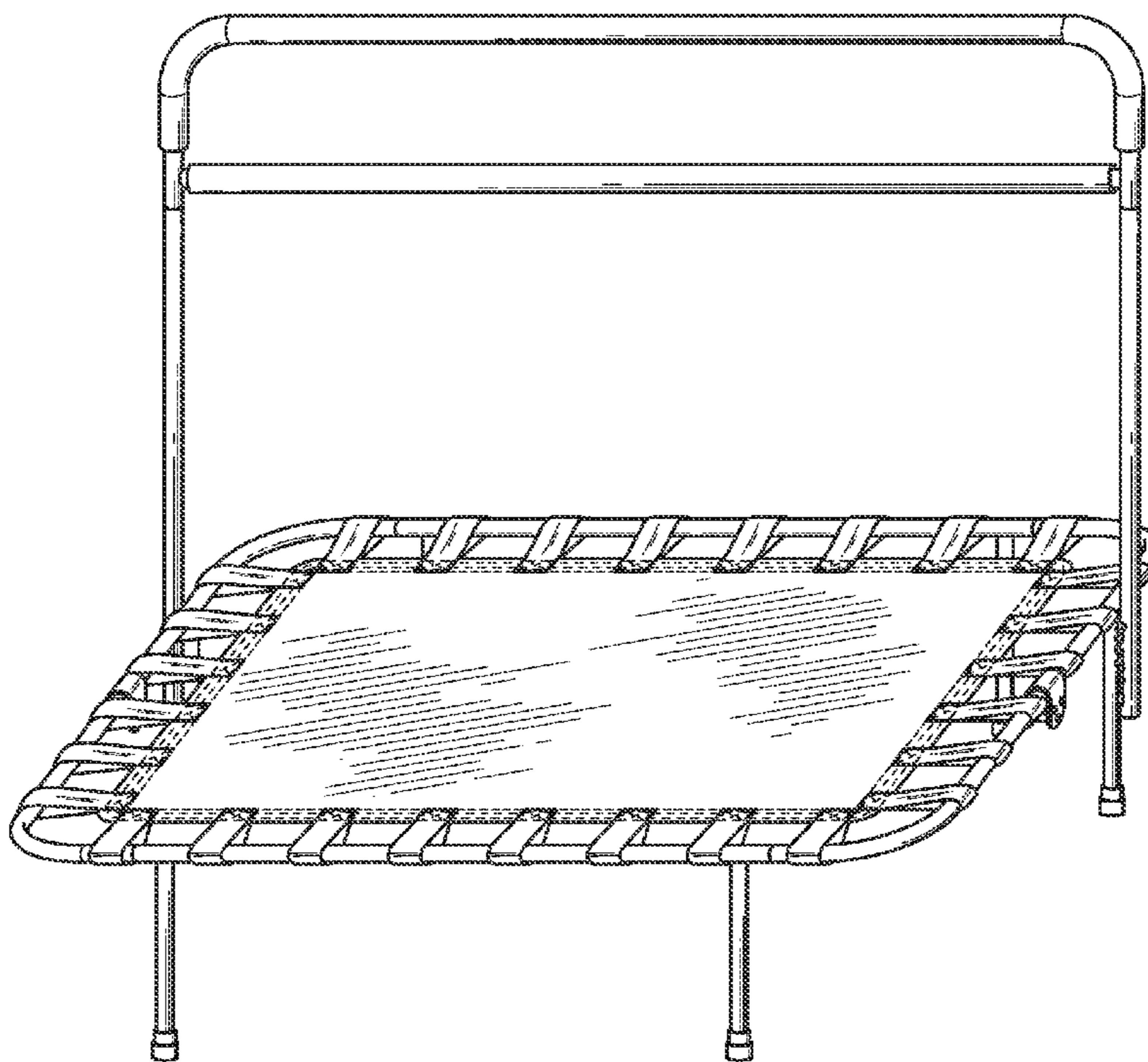
(57) **CLAIM**

I claim the ornamental design for a trampoline, as shown and described.

DESCRIPTION

FIG. 1 is a perspective view of a trampoline, showing my new design;
 FIG. 2 is a front elevational view thereof;
 FIG. 3 is a rear elevational view thereof;
 FIG. 4 is a left-side elevational view thereof;
 FIG. 5 is a right-side elevational view thereof;
 FIG. 6 is a top plan view thereof; and
 FIG. 7 is a bottom plan view thereof.
 FIG. 8 is an exploded view with the trampoline mat shown in a folded position; and,
 FIG. 9 is a side elevation view with the trampoline mat in a folded position.

1 Claim, 6 Drawing Sheets



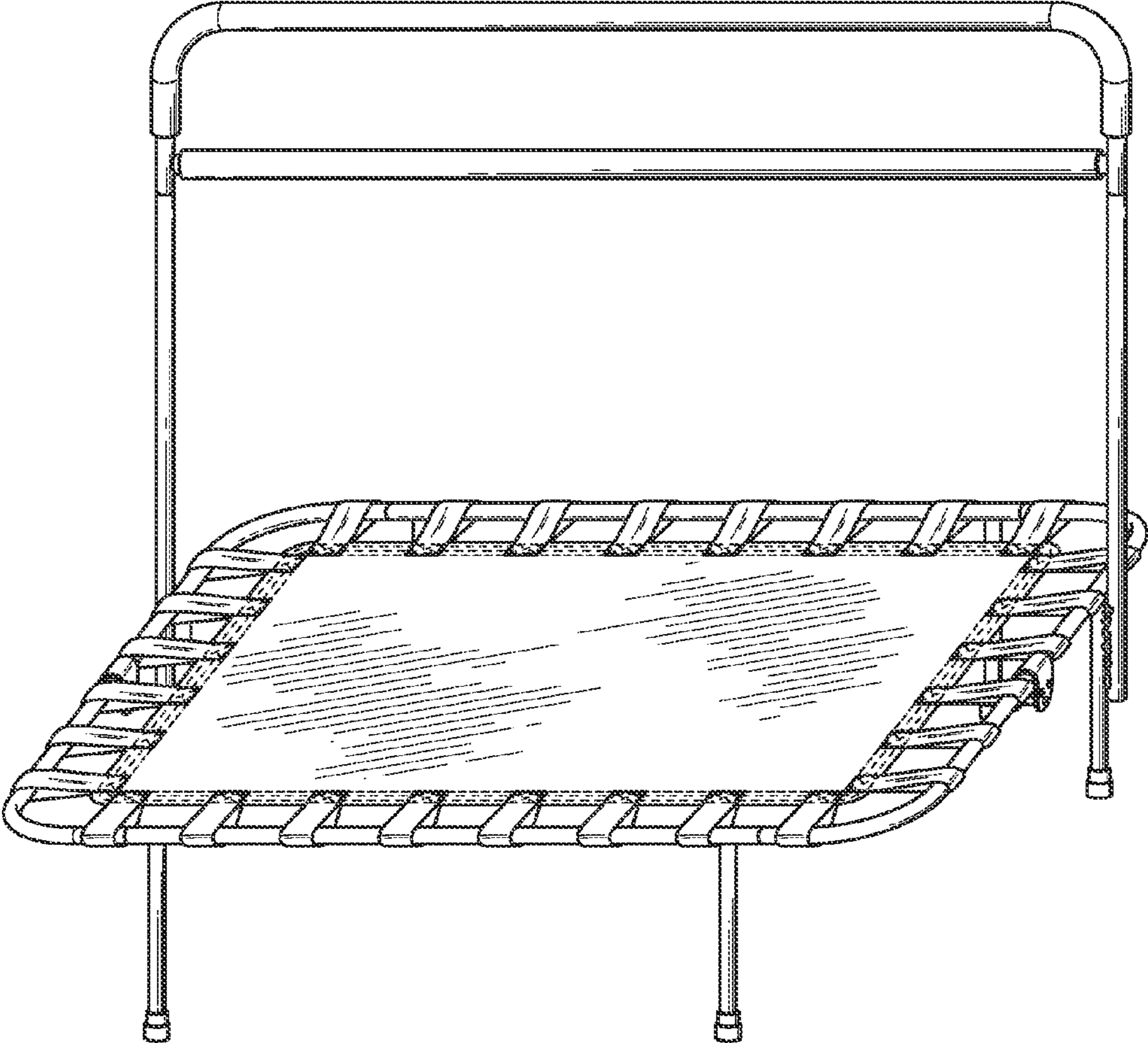


FIG. 1

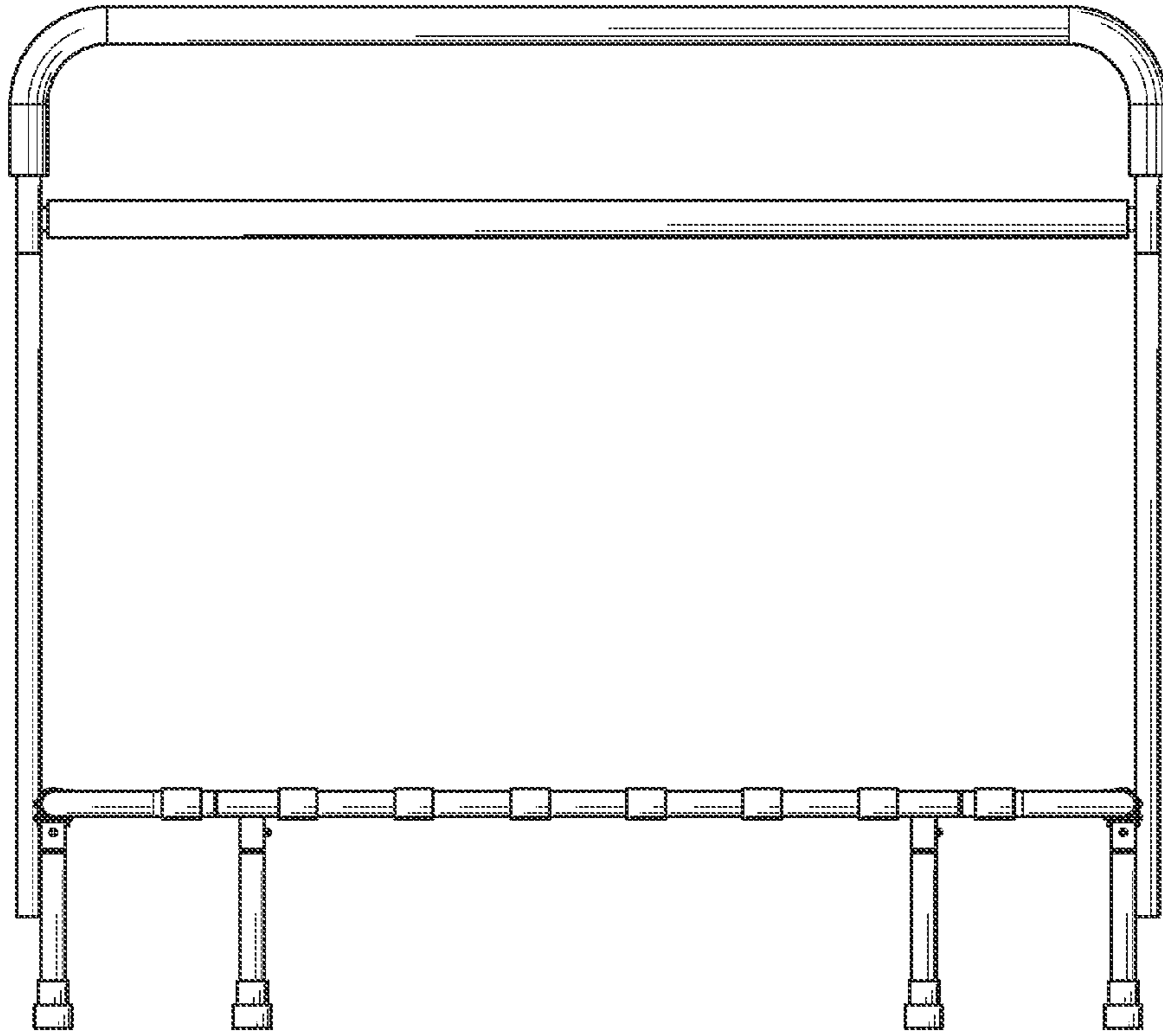


FIG. 2

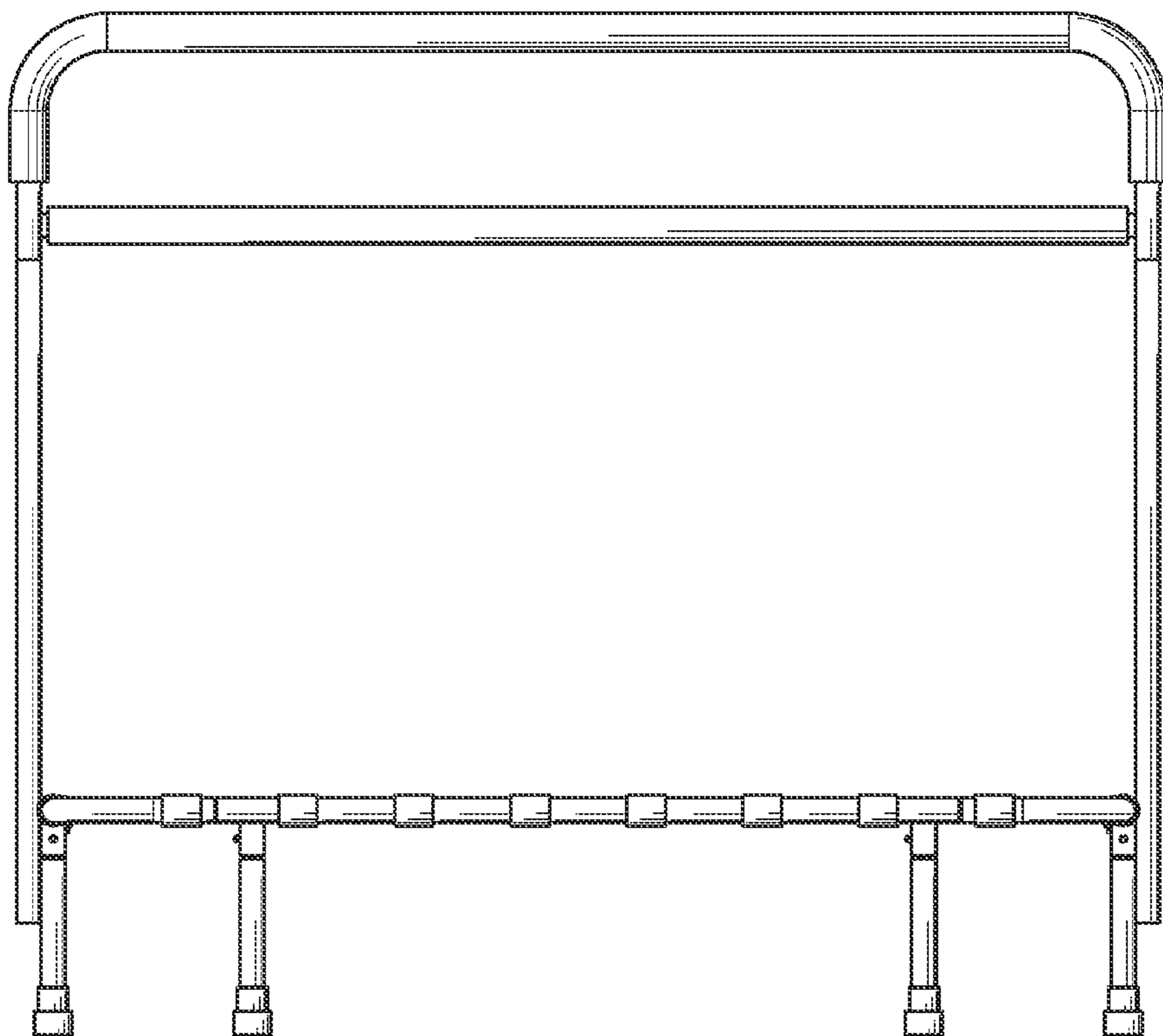


FIG. 3

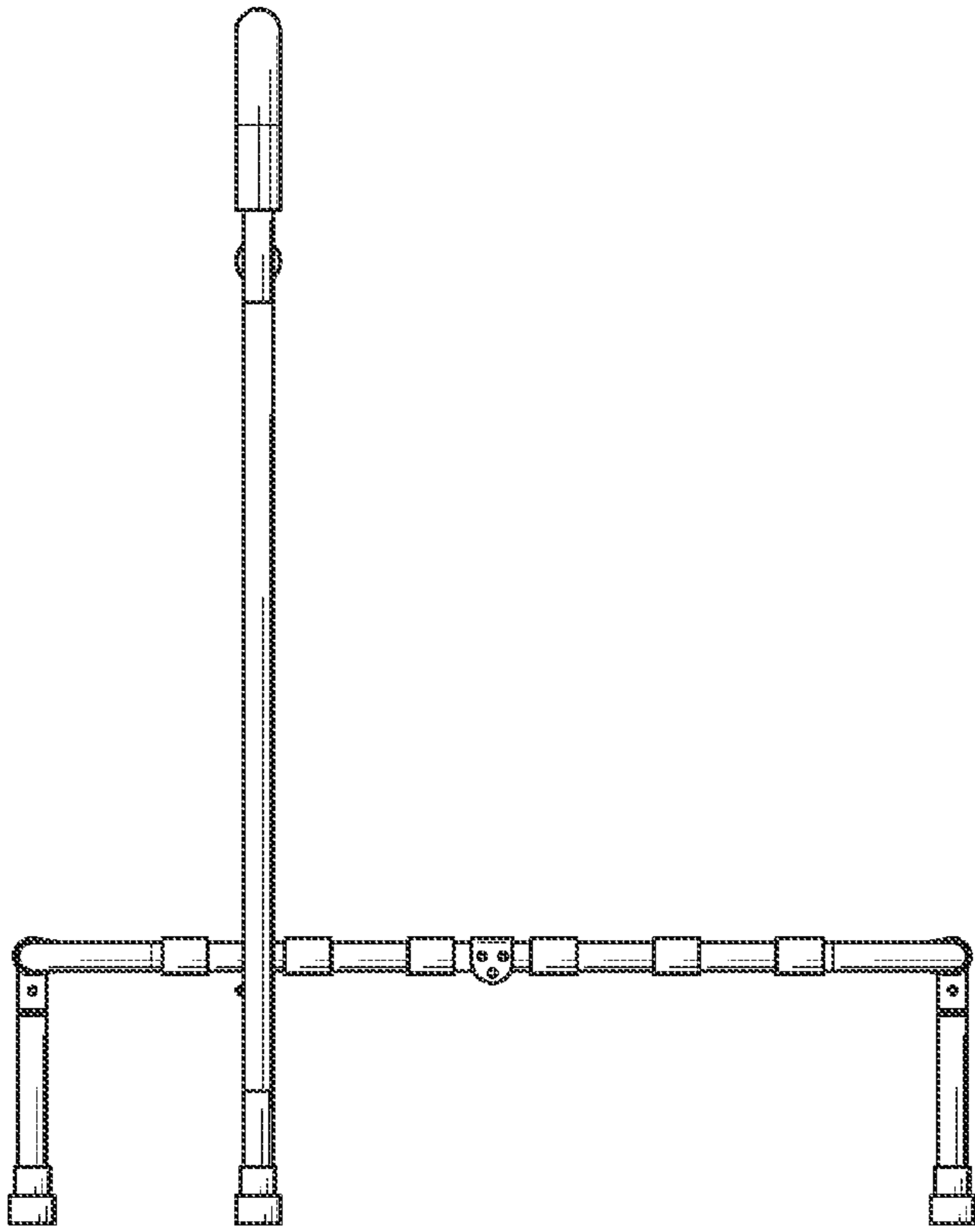


FIG. 4

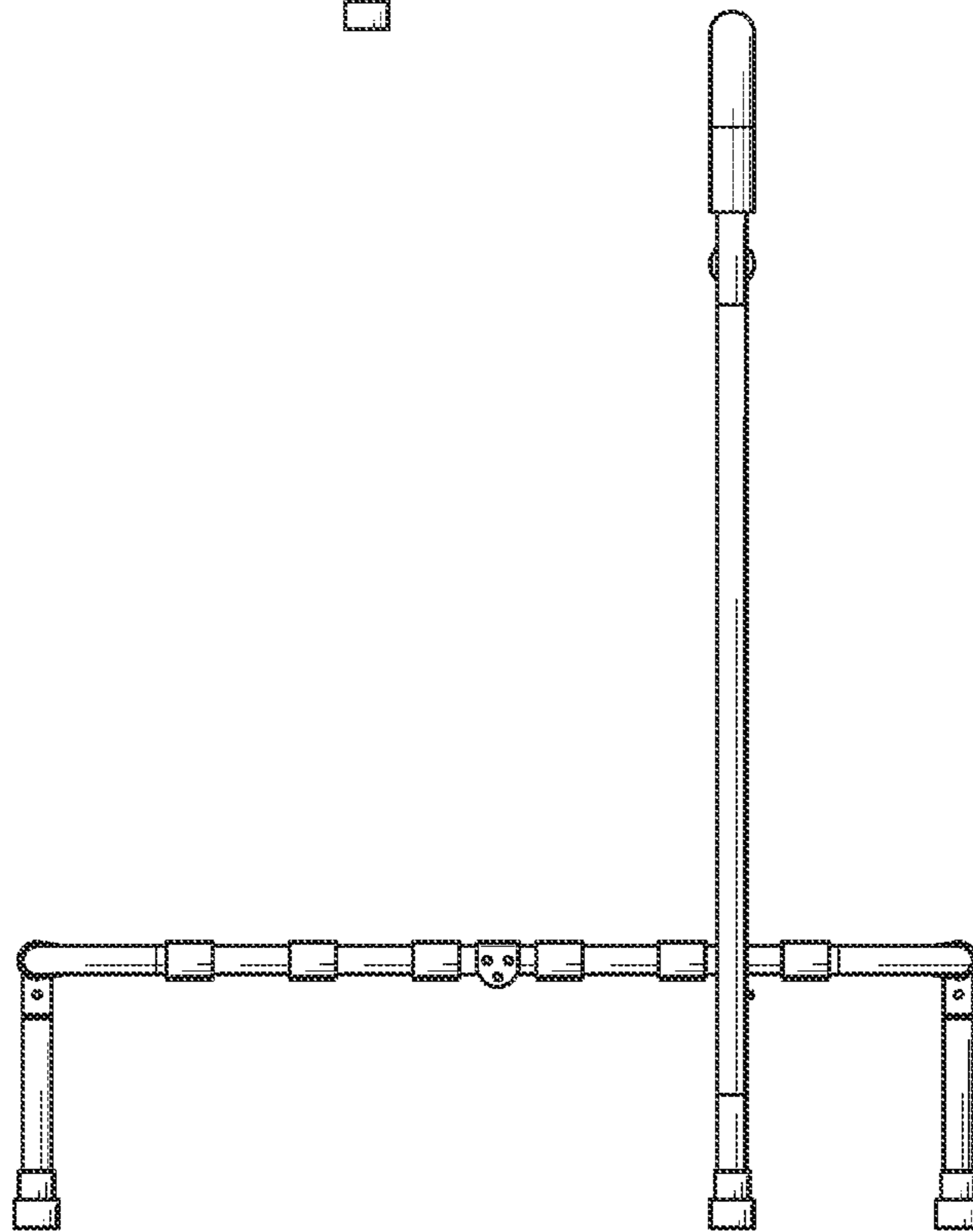


FIG. 5

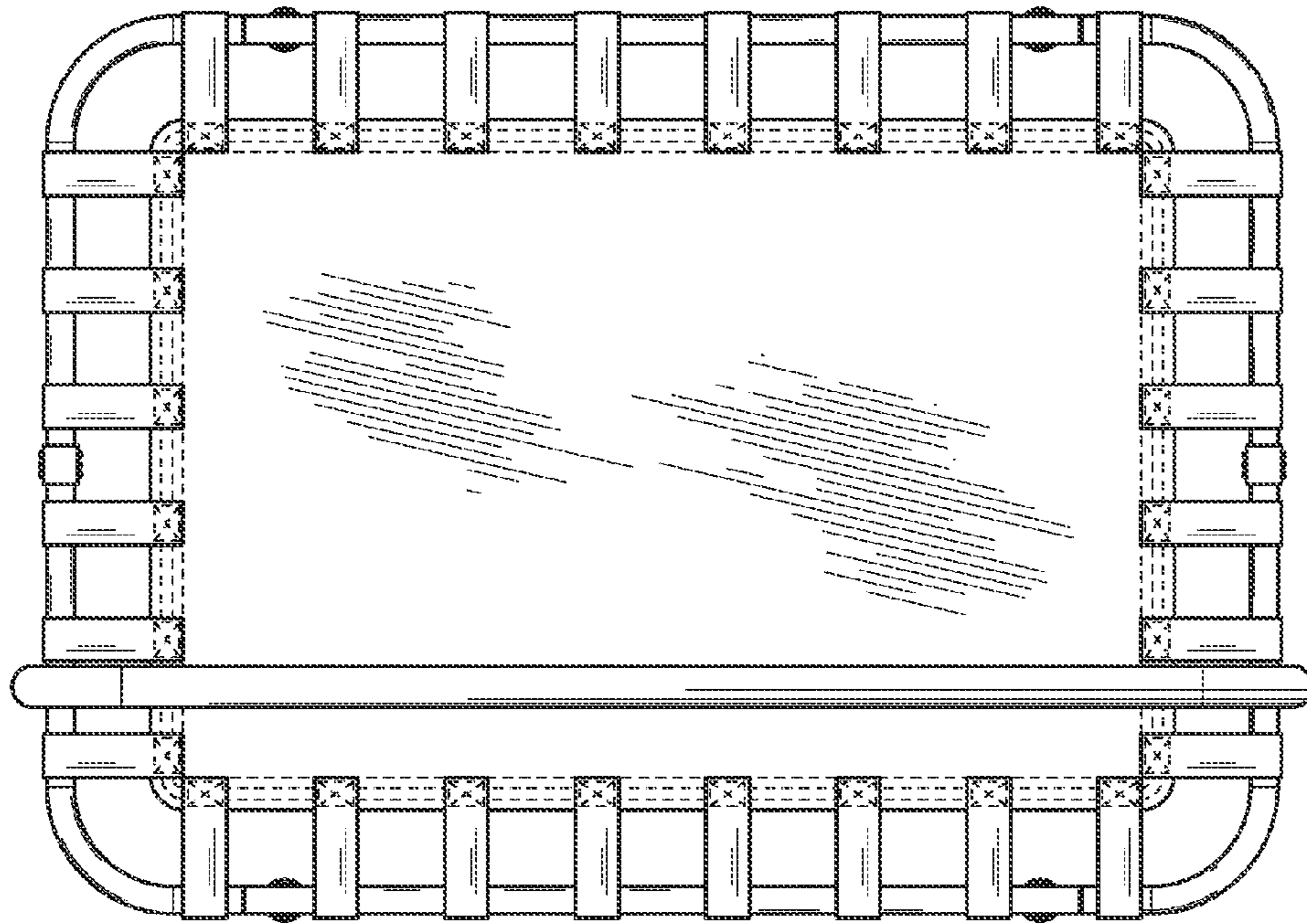


FIG. 6

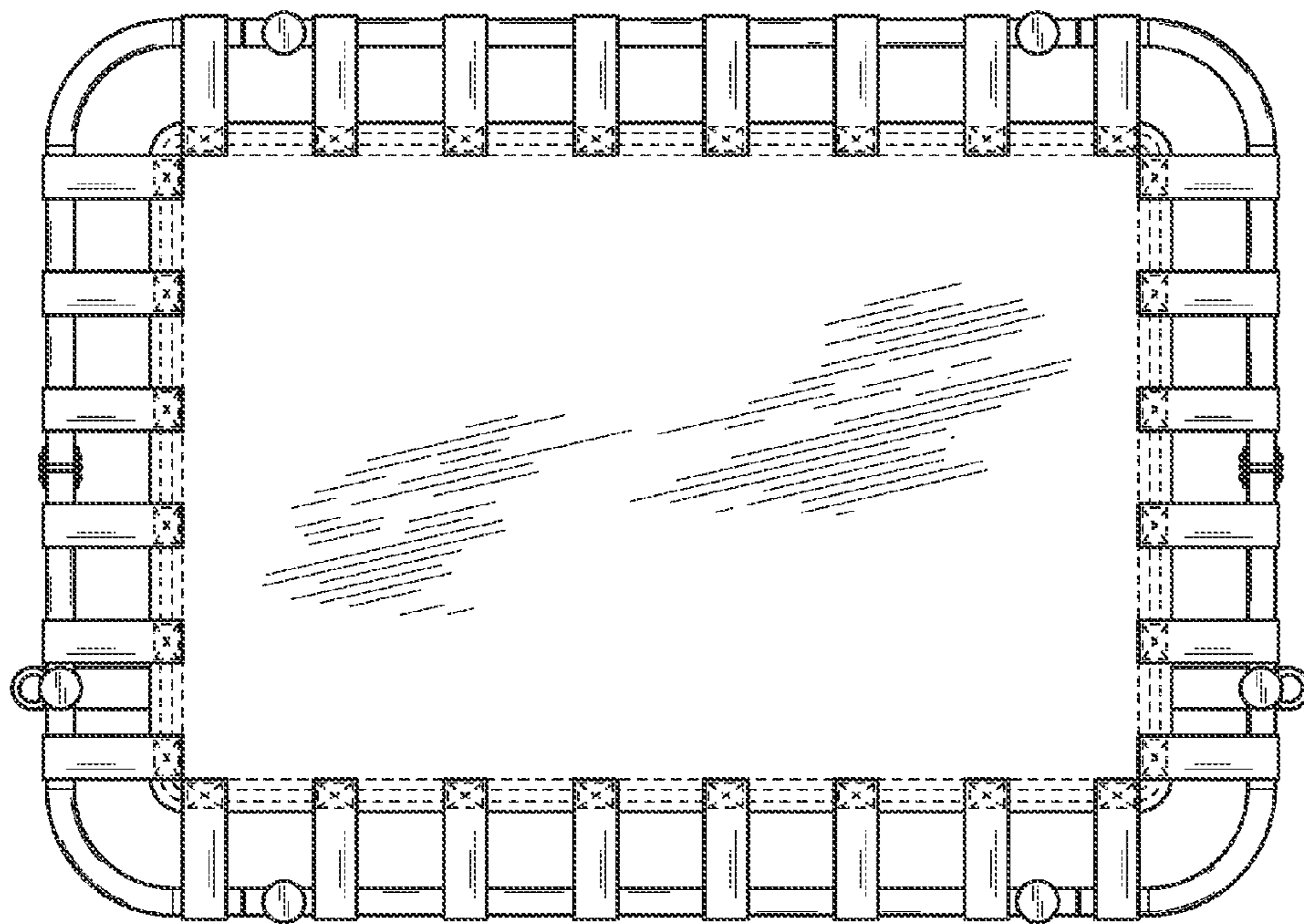


FIG. 7

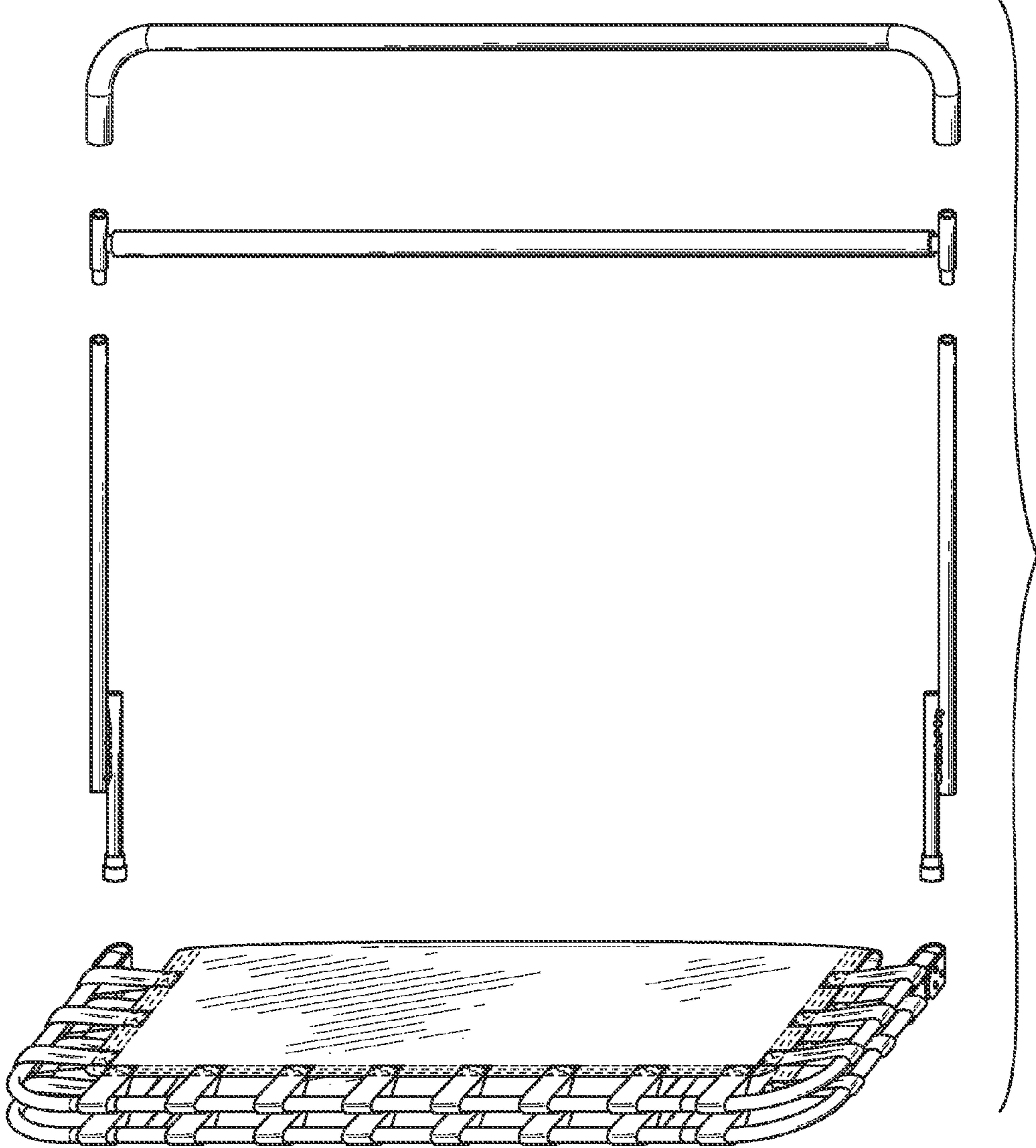


FIG. 8

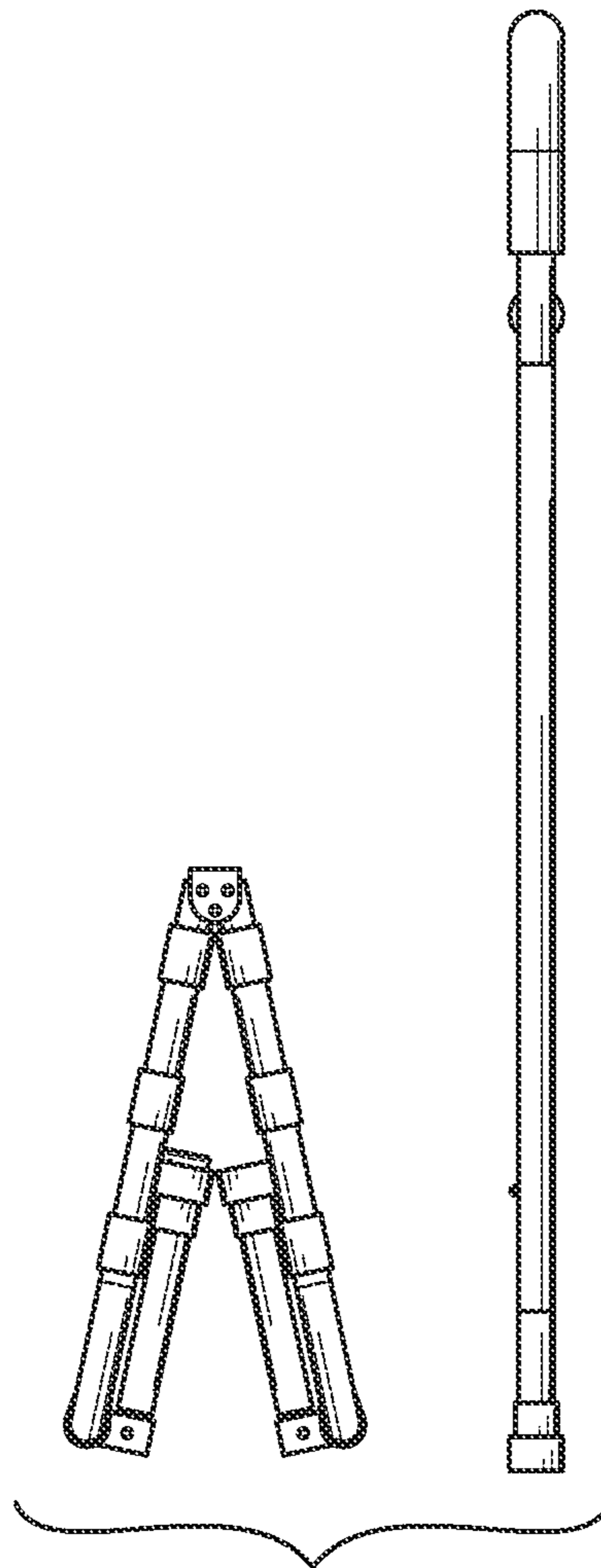


FIG. 9