



US00D742466S

(12) **United States Design Patent**
Jaguan

(10) **Patent No.:** **US D742,466 S**
(45) **Date of Patent:** **** Nov. 3, 2015**

(54) **BASEBALL PITCHING TRAINER MAT**

(71) Applicant: **Mauro Jaguan**, Caracas (VE)

(72) Inventor: **Mauro Jaguan**, Caracas (VE)

(**) Term: **14 Years**

(21) Appl. No.: **29/492,892**

(22) Filed: **Jun. 16, 2014**

(51) **LOC (10) Cl.** **21-02**

(52) **U.S. Cl.**
USPC **D21/780**; D21/699

(58) **Field of Classification Search**
USPC D21/302, 303, 305, 306, 698, 699, 704,
D21/705, 780, 788, 790, 792, 799.1, 799.2;
473/421, 422, 431, 434, 439, 446, 451,
473/454, 455, 456, 462, 468, 470, 473-475,
473/476-478, 494, 496; 273/398, 400, 402,
273/403, 404, 407, 408, 409, 410
CPC A63B 9/00; A63B 9/0002; A63B
2069/0004; A63B 2069/0006; A63B
2069/0008; A63B 63/00; A63B 63/003;
A63B 63/004; A63B 63/007; A63B 2063/001;
A63B 2063/002; A63B 2063/005
See application file for complete search history.

(56) **References Cited**

U.S. PATENT DOCUMENTS

406,342	A *	7/1889	Dumont	273/402
1,989,484	A *	1/1935	Maryfield et al.	273/402
2,657,058	A *	10/1953	Mulcahy	473/436
D205,040	S *	6/1966	Bruns	D21/790
3,575,415	A *	4/1971	Fulp et al.	273/400
4,629,188	A *	12/1986	Mahieu	473/454
D311,031	S *	10/1990	Poitras	D21/780
D350,569	S *	9/1994	Boteler	D21/780
D352,326	S *	11/1994	Hsiao	D21/790

D355,459	S *	2/1995	Cornelison	D21/780
5,803,842	A *	9/1998	Ross	473/456
D401,308	S *	11/1998	D'Emidio	D21/303
6,213,900	B1 *	4/2001	Steyn et al.	473/434
7,090,599	B2 *	8/2006	Hedgepath	473/452
D540,406	S *	4/2007	Edmondson, Jr.	D21/699
D612,002	S *	3/2010	Richard	D21/699
7,677,993	B2 *	3/2010	McTavish	473/459
7,762,912	B2 *	7/2010	Lewis	473/454
8,910,943	B2 *	12/2014	Lee	273/392
2002/0123397	A1 *	9/2002	Brasuell	473/421
2003/0228943	A1 *	12/2003	Powell	473/454
2010/0075783	A1 *	3/2010	Edmondson	473/421
2010/0164175	A1 *	7/2010	Buchanan	273/402
2014/0256476	A1 *	9/2014	Sallinen	473/446
2014/0262064	A1 *	9/2014	Myrland	160/84.02

* cited by examiner

Primary Examiner — Catherine Tuttle
(74) *Attorney, Agent, or Firm* — William Lovin & Assoc., LLC

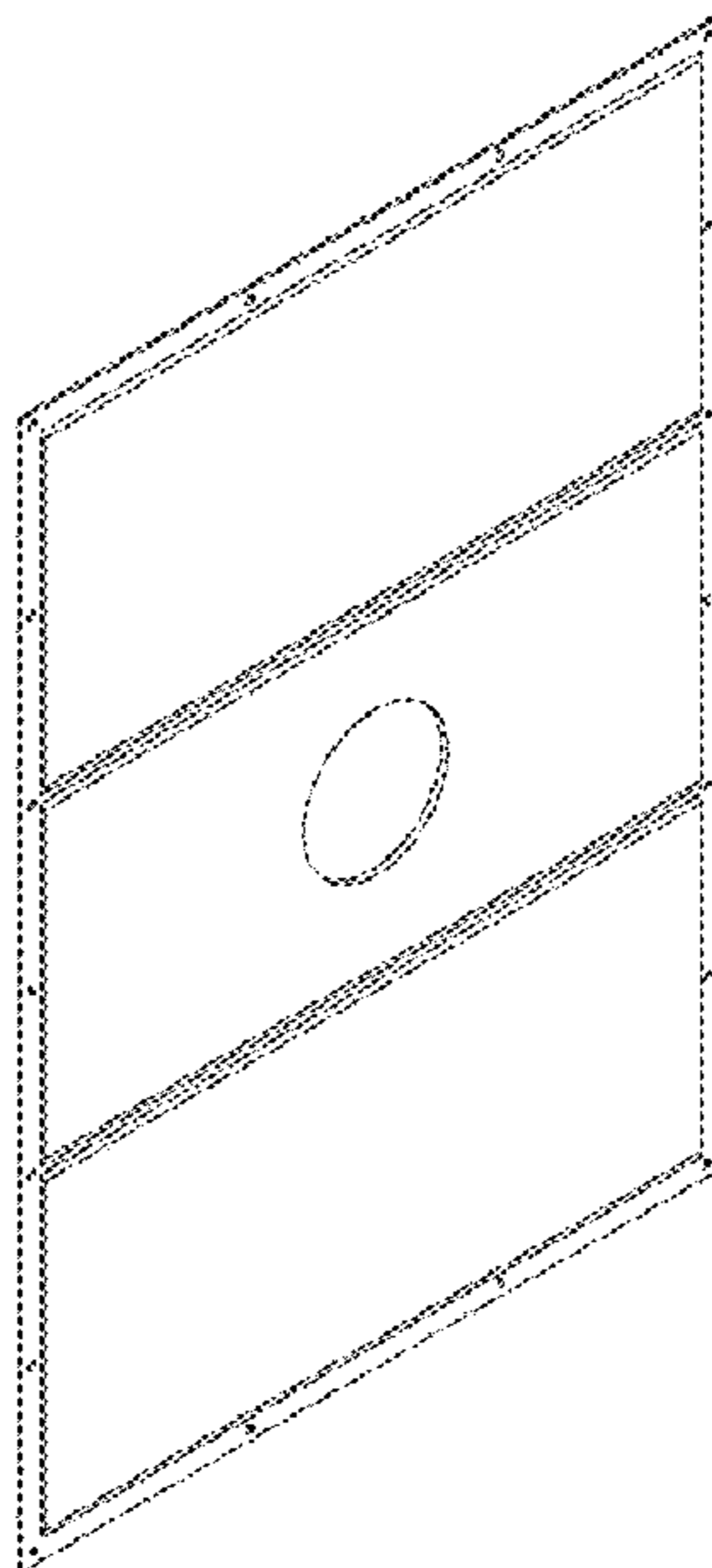
(57) **CLAIM**

The ornamental design for a baseball pitching trainer mat, as shown and described.

DESCRIPTION

FIG. 1 is a front perspective view of the baseball pitching trainer mat showing my new design;
FIG. 2 is a rear perspective view thereof;
FIG. 3 is a front elevation view thereof;
FIG. 4 is a rear elevation view thereof;
FIG. 5 is a top plan view thereof;
FIG. 6 is a bottom plan view thereof;
FIG. 7 is a left side elevation view thereof;
FIG. 8 is a right side elevation view thereof; and,
FIG. 9 is an enlarged scale view of the upper portion of FIG. 7.

1 Claim, 5 Drawing Sheets



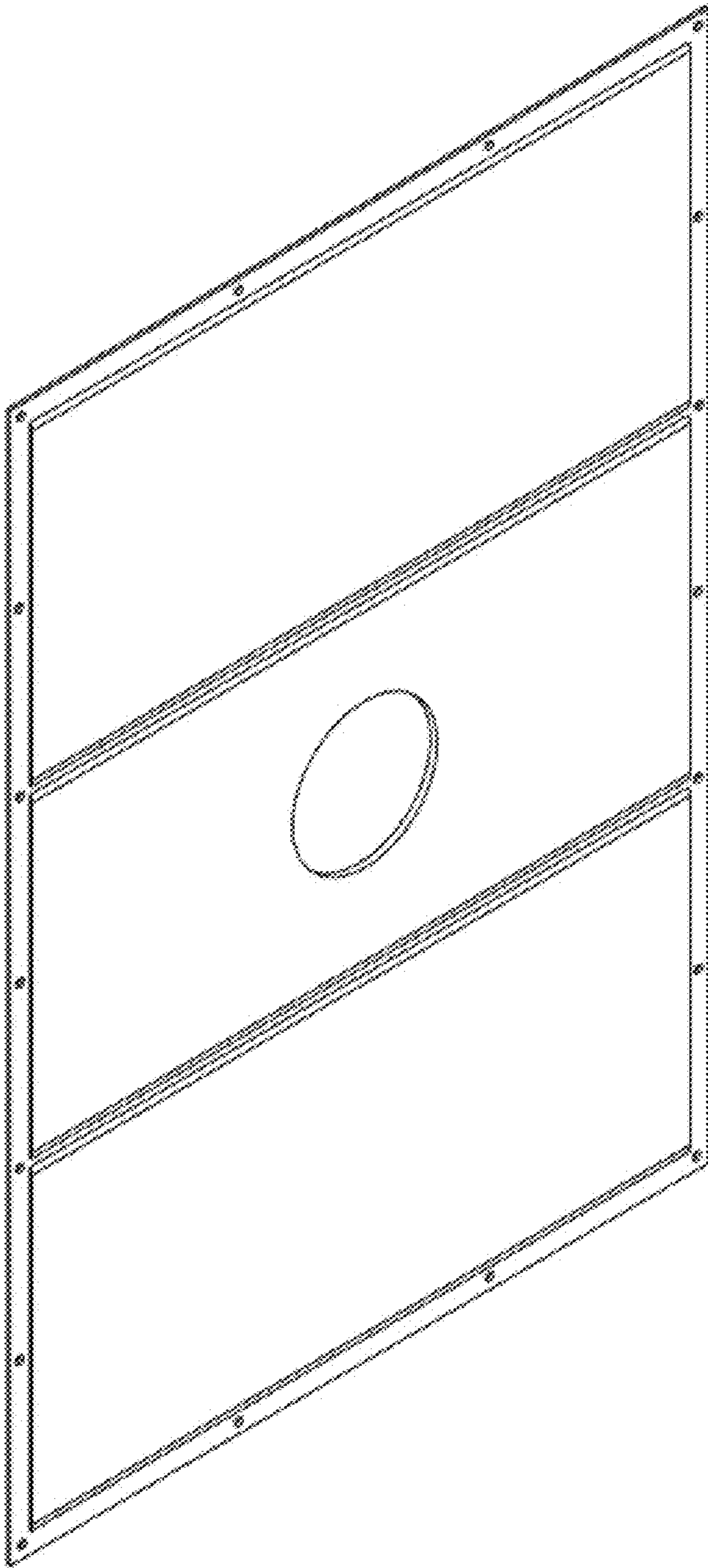


Fig. 1

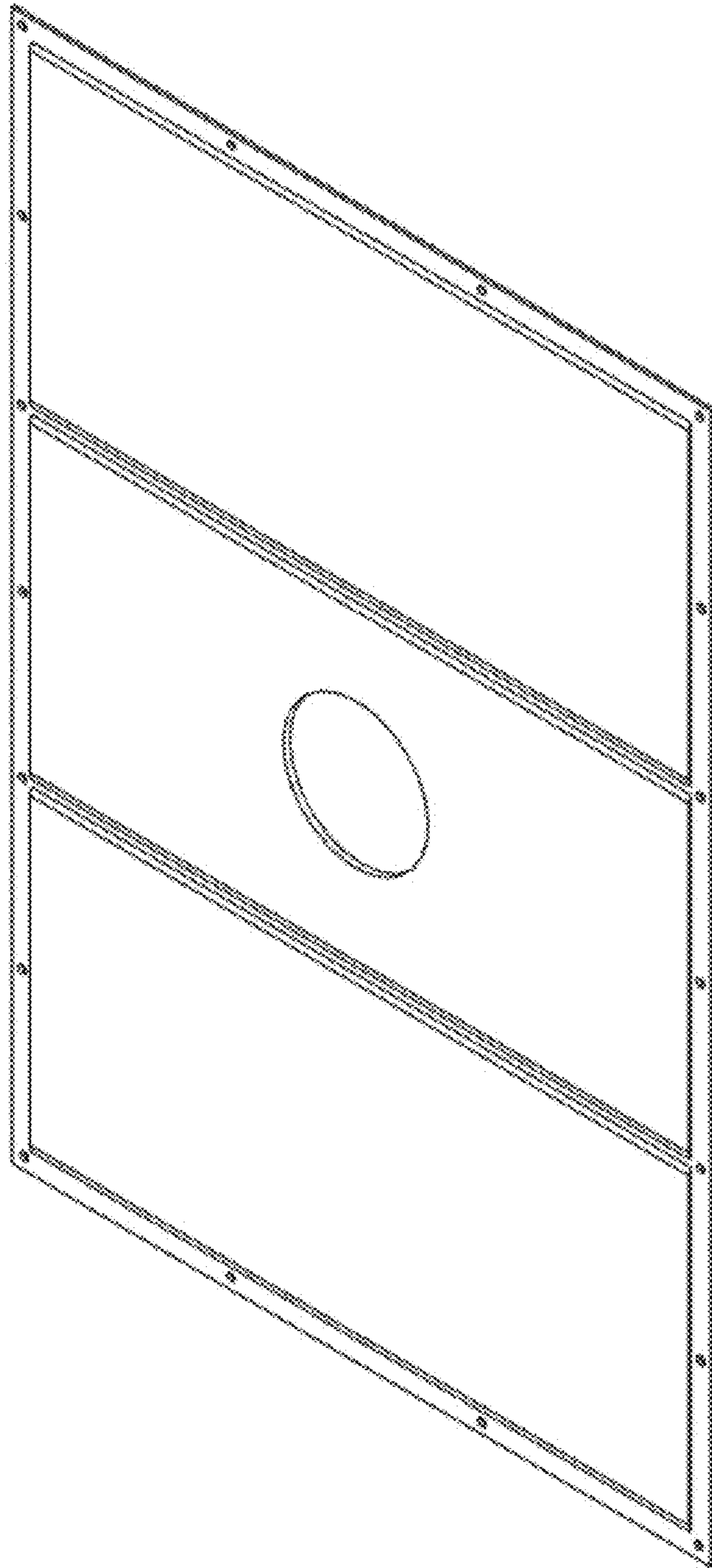


Fig. 2

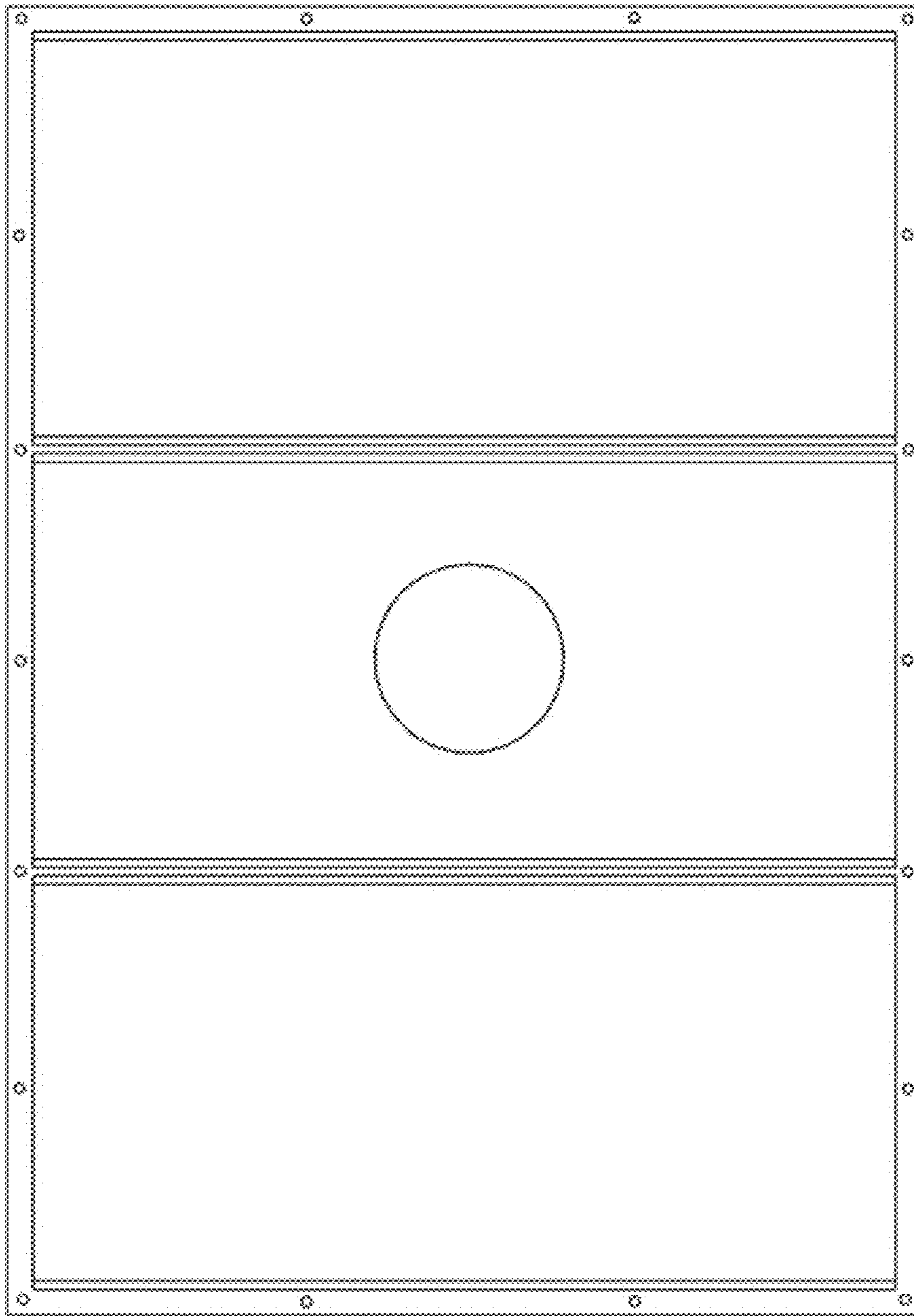


Fig. 3

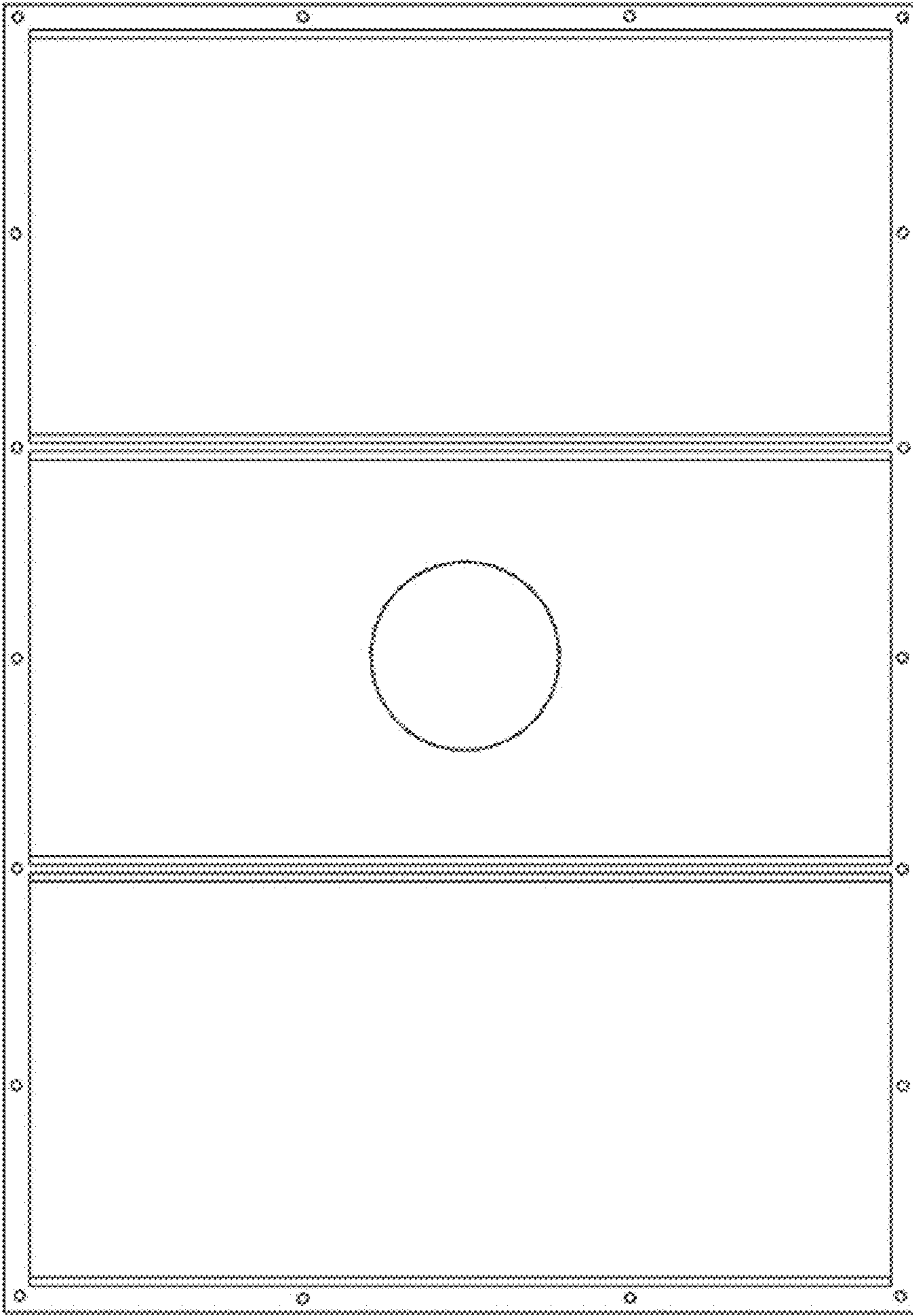


Fig. 4



Fig. 5



Fig. 6



Fig. 7



Fig. 8



Fig. 9