



US00D742465S

(12) **United States Design Patent**
Bain et al.

(10) **Patent No.:** **US D742,465 S**

(45) **Date of Patent:** **** Nov. 3, 2015**

(54) **DETACHABLE SEAT**

(71) Applicants: **Eleanor Knight Bain**, Denver, CO (US);
Lena Florence Schneck, Denver, CO
(US)

(72) Inventors: **Eleanor Knight Bain**, Denver, CO (US);
Lena Florence Schneck, Denver, CO
(US)

(**) Term: **14 Years**

(21) Appl. No.: **29/484,185**

(22) Filed: **Mar. 6, 2014**

(51) **LOC (10) Cl.** **21-02**

(52) **U.S. Cl.**
USPC **D21/767**

(58) **Field of Classification Search**
USPC D21/766-767, 771, 775-777; D3/7, 12,
D3/16, 5, 6; 280/819-824; 16/430, 421;
135/76; D6/383, 386, 387, 718.1, 608,
D6/595; 5/120-123, 127, 128, 417
CPC A63C 11/222
See application file for complete search history.

(56) **References Cited**

U.S. PATENT DOCUMENTS

2,257,831	A	10/1941	Wood	
2,445,344	A	7/1948	Wachtel	
3,902,731	A	9/1975	Fagen et al.	
4,065,140	A	12/1977	Cadwalader	
4,456,284	A *	6/1984	Saka	280/812
4,786,082	A *	11/1988	Swietlik	280/812

4,974,620	A *	12/1990	Quillan et al.	135/67
4,991,875	A *	2/1991	McDermott	280/816
D325,303	S *	4/1992	Pettersson	D6/335
D358,045	S *	5/1995	Wolf	D6/387
D408,166	S *	4/1999	Bayless	D6/387
6,263,892	B1	7/2001	Baker	
6,397,868	B1	6/2002	Smith	
2003/0020273	A1	1/2003	Rogers	

* cited by examiner

Primary Examiner — Zenia Bennett

(74) *Attorney, Agent, or Firm* — The Reilly Intellectual Property Law Firm, P.C.

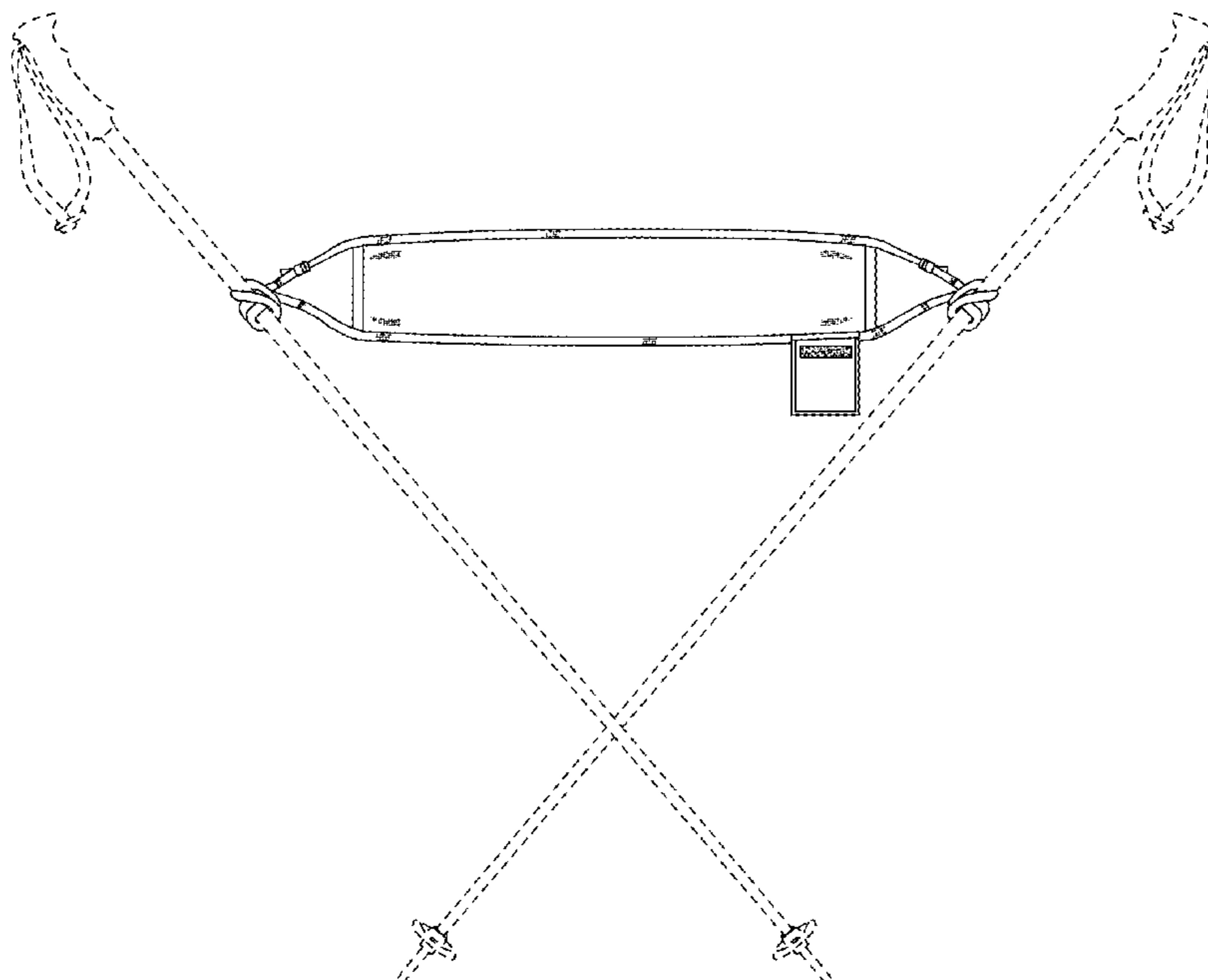
(57) **CLAIM**

The ornamental design for a detachable seat, as shown and described.

DESCRIPTION

FIG. 1 is a front perspective view showing our new design; FIG. 2 is a front perspective view of FIG. 1 showing an alternate use; FIG. 3 is a top view of FIG. 1; FIG. 4 is an end view of FIG. 1; FIG. 5 is a side view of FIG. 1; FIG. 6 is a bottom view of FIG. 1; FIG. 7 is a top view of an alternate form of our new design; FIG. 8 is an end view of FIG. 7; FIG. 9 is a side view of FIG. 7; and, FIG. 10 is a bottom view of FIG. 7. The broken lines are included for the purpose of illustrating environmental structure and form no part of the claimed designs used in FIGS. 1 and 2.

1 Claim, 4 Drawing Sheets



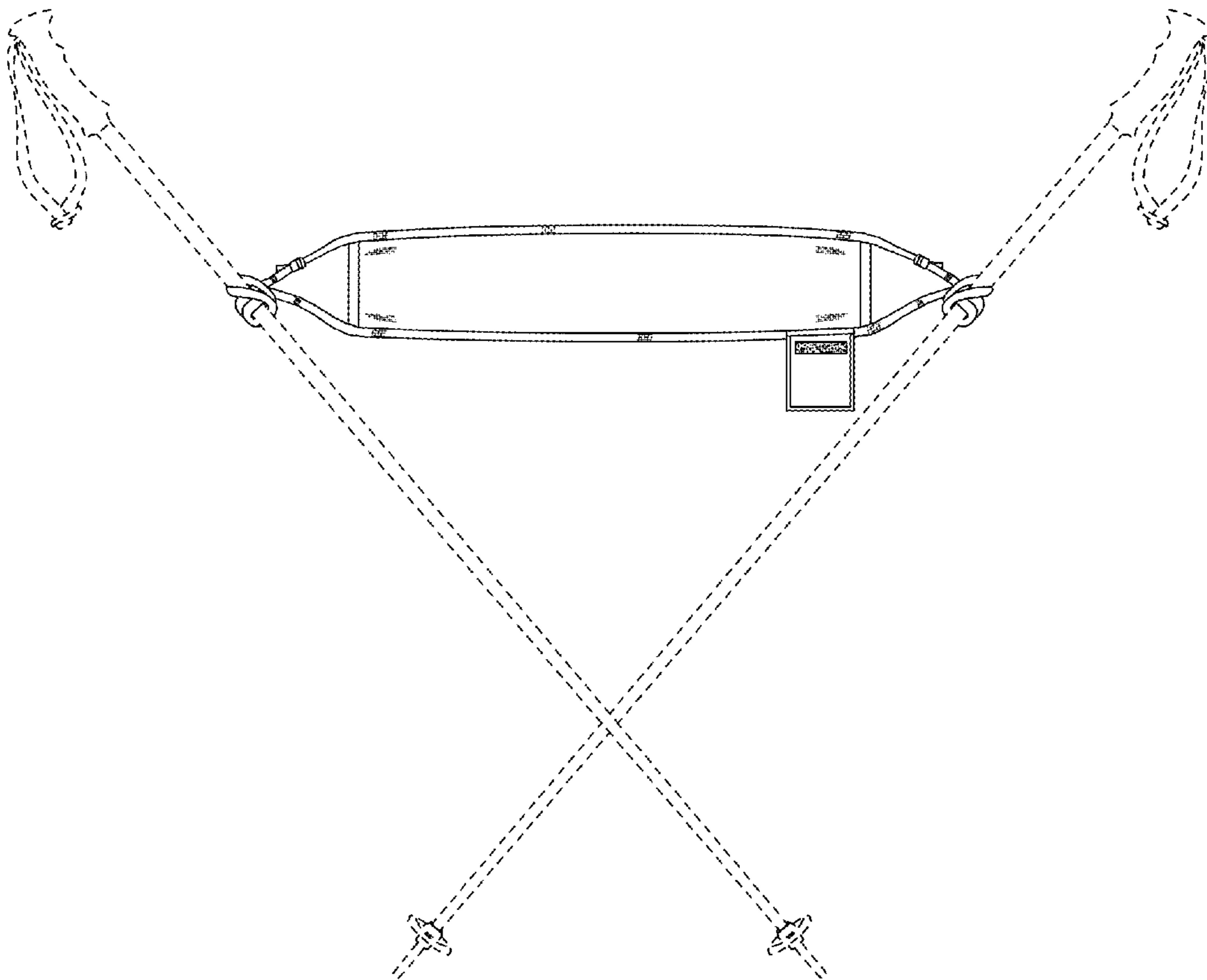


Fig. 1

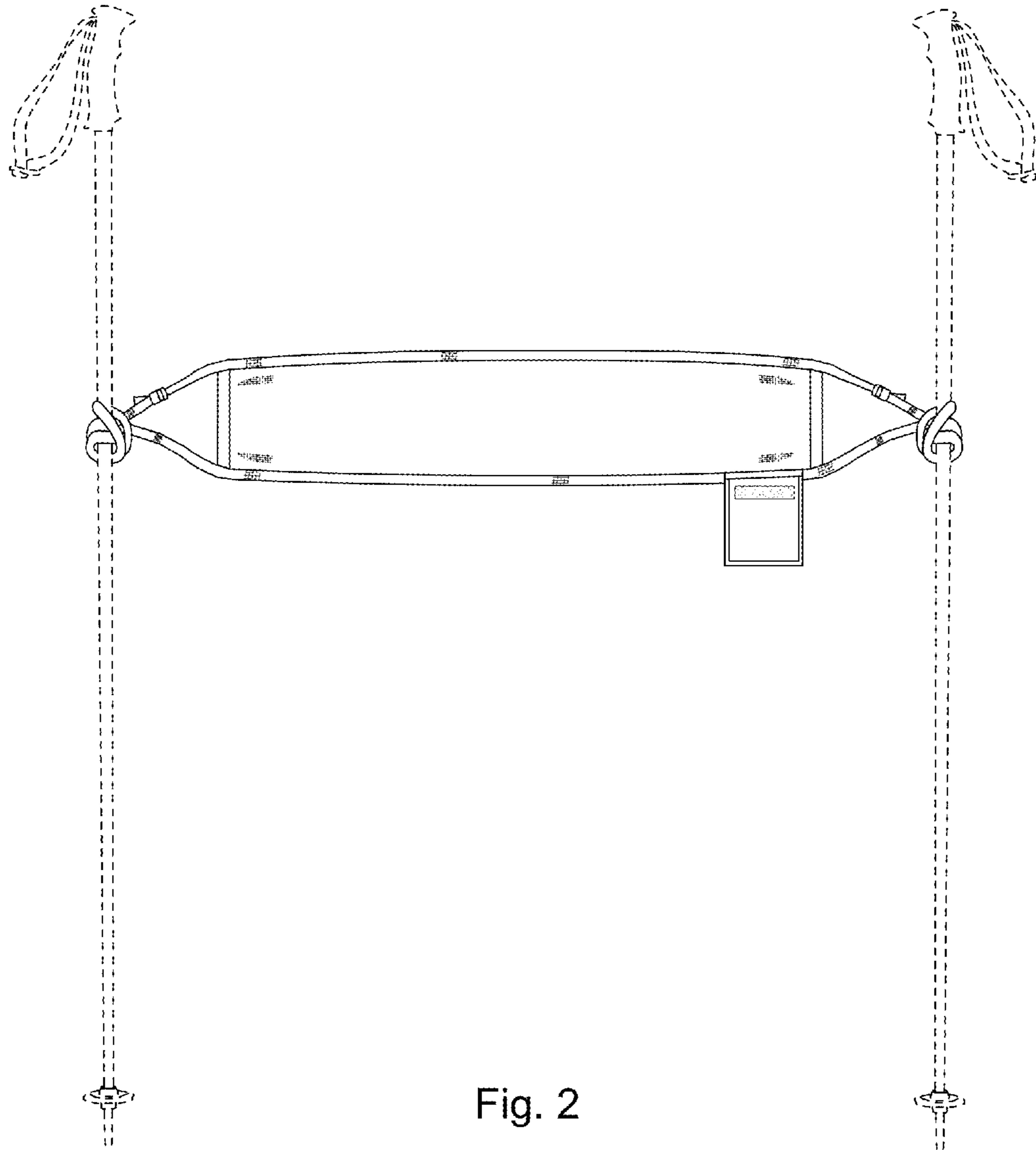


Fig. 2

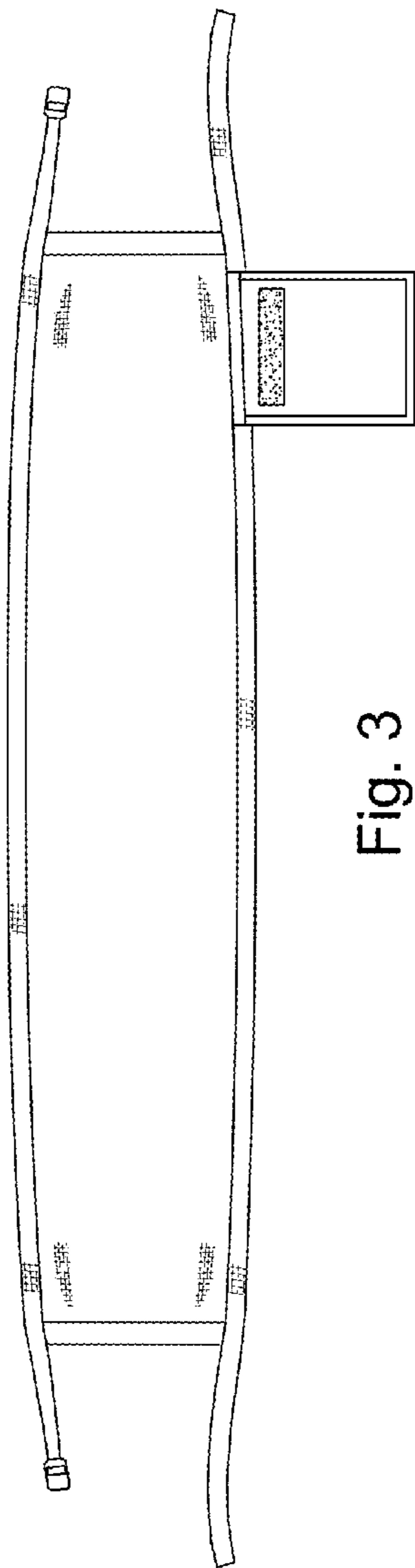


Fig. 3



Fig. 4

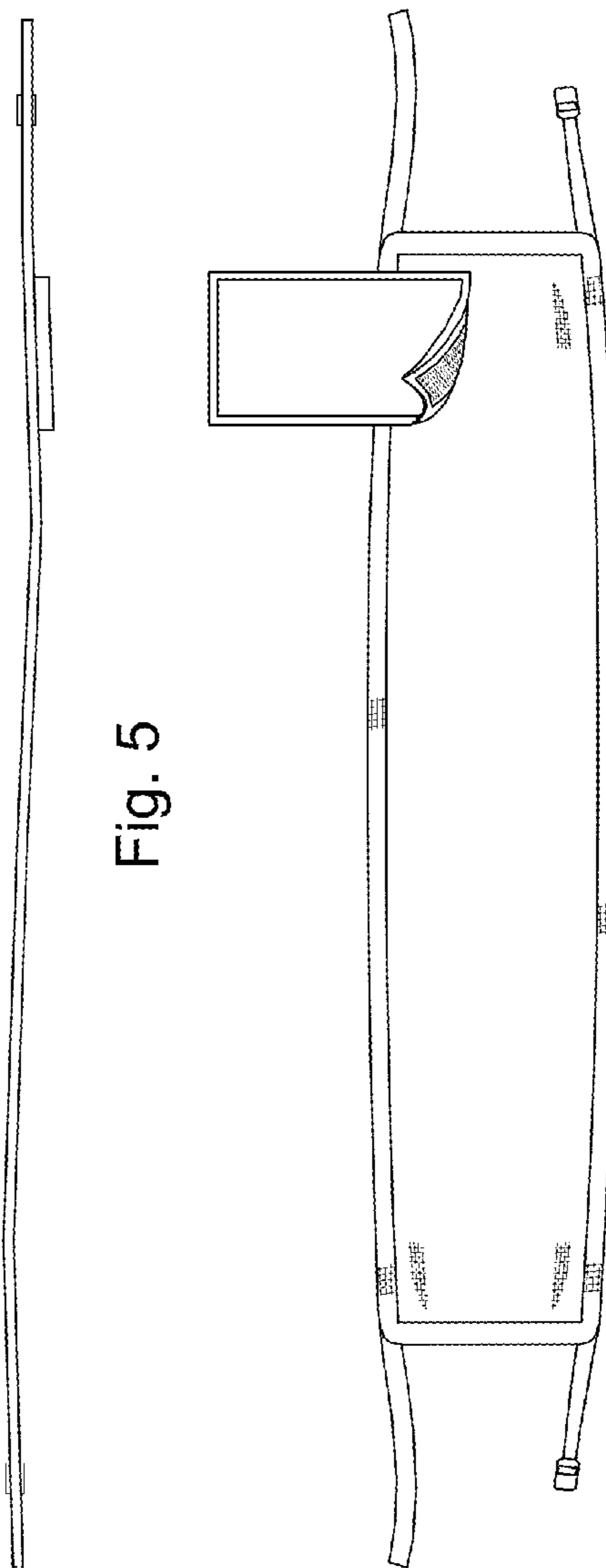


Fig. 5

Fig. 6



Fig. 8

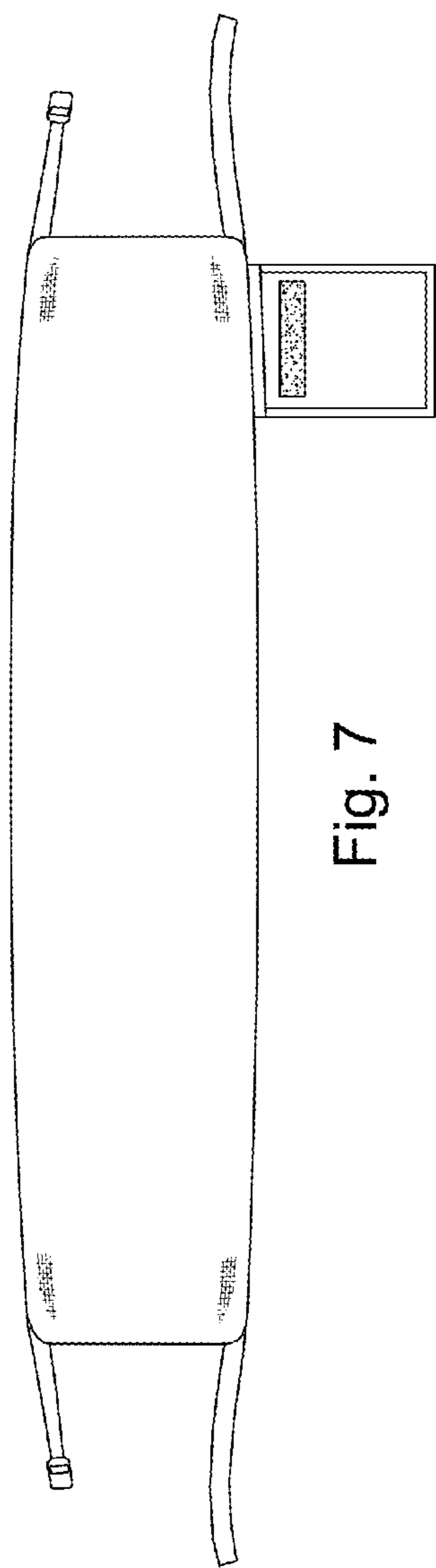


Fig. 7

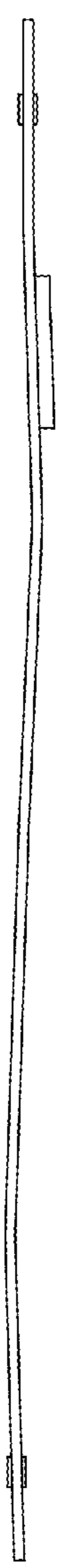


Fig. 9

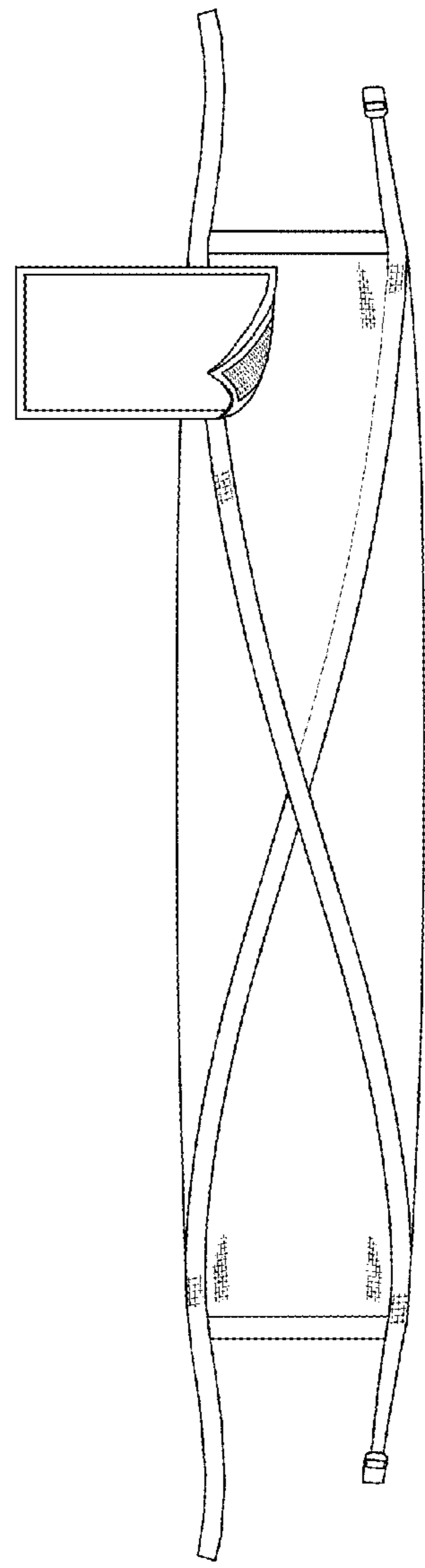


Fig. 10