

US00D742464S

(12) **United States Design Patent**  
**Vitacco et al.**

(10) **Patent No.:** **US D742,464 S**  
(45) **Date of Patent:** **\*\* Nov. 3, 2015**

(54) **RIDER OPERATED FLEXIBLE BODY SKATE PLATE**

(71) Applicants: **Richard Louis Vitacco**, Kenosha, WI (US); **Robert H DeBardeleben**, Arvada, CO (US)

(72) Inventors: **Richard Louis Vitacco**, Kenosha, WI (US); **Robert H DeBardeleben**, Arvada, CO (US)

(\*\*) Term: **14 Years**

(21) Appl. No.: **29/463,463**

(22) Filed: **Nov. 29, 2013**

(51) **LOC (10) Cl.** ..... **21-02**

(52) **U.S. Cl.**  
USPC ..... **D21/760**

(58) **Field of Classification Search**  
USPC ..... D21/419, 421, 460, 686, 688, 765, 769, D21/770; D12/6, 8, 11  
CPC ..... A63B 21/00; A63B 21/02; A63B 21/055; A63B 22/00; A63B 22/16; A63B 22/14; A63B 22/18; B63B 26/00  
See application file for complete search history.

(56) **References Cited**

**U.S. PATENT DOCUMENTS**

1,884,281 A	10/1932	Schibrowski	
D134,341 S *	11/1942	Churchill	D21/688
2,779,642 A	1/1957	Matthews	
3,069,182 A	12/1962	Hufford	
3,269,746 A *	8/1966	Jonker	280/87.041
3,399,904 A	9/1968	Schinke	
D217,375 S *	4/1970	Lohr et al.	D21/688
3,522,953 A	8/1970	Gold	
3,771,811 A	11/1973	Bueno	
3,806,116 A *	4/1974	Malmberg et al.	482/147
3,862,768 A *	1/1975	England	280/205
4,132,405 A *	1/1979	Asher	482/147
4,160,554 A	7/1979	Cooney	

4,202,559 A	5/1980	Piazza	
4,290,601 A *	9/1981	Mittelstadt	472/14
4,445,699 A	5/1984	Darasko	
4,787,630 A	11/1988	Watson et al.	
4,955,626 A	9/1990	Smith et al.	
4,966,364 A	10/1990	Eggenberger	
4,976,425 A *	12/1990	Barnes, Jr.	482/147
5,062,630 A	11/1991	Nelson	
5,236,208 A	8/1993	Welsh	
5,415,609 A *	5/1995	Yang	482/147
5,458,351 A	10/1995	Yu	
5,545,115 A *	8/1996	Corcoran	482/146
D402,591 S *	12/1998	Fireman	D12/11
6,158,752 A	12/2000	Kay	
6,257,614 B1	7/2001	Duggan	
6,419,586 B1 *	7/2002	Chiu	472/25
6,461,285 B1 *	10/2002	Theunissen et al.	482/146
D481,655 S *	11/2003	McKee	D12/11
D517,136 S *	3/2006	Chen	D21/688
7,008,359 B2 *	3/2006	Fan et al.	482/146
7,237,784 B1	7/2007	Monteleone	
7,357,766 B2 *	4/2008	Langer et al.	482/146
D634,377 S *	3/2011	Byle	D21/686
8,435,164 B2 *	5/2013	VanBuren	482/145
D724,162 S *	3/2015	James	D21/688
2005/0009677 A1 *	1/2005	Yang	482/142

\* cited by examiner

*Primary Examiner* — Cynthia M Chin

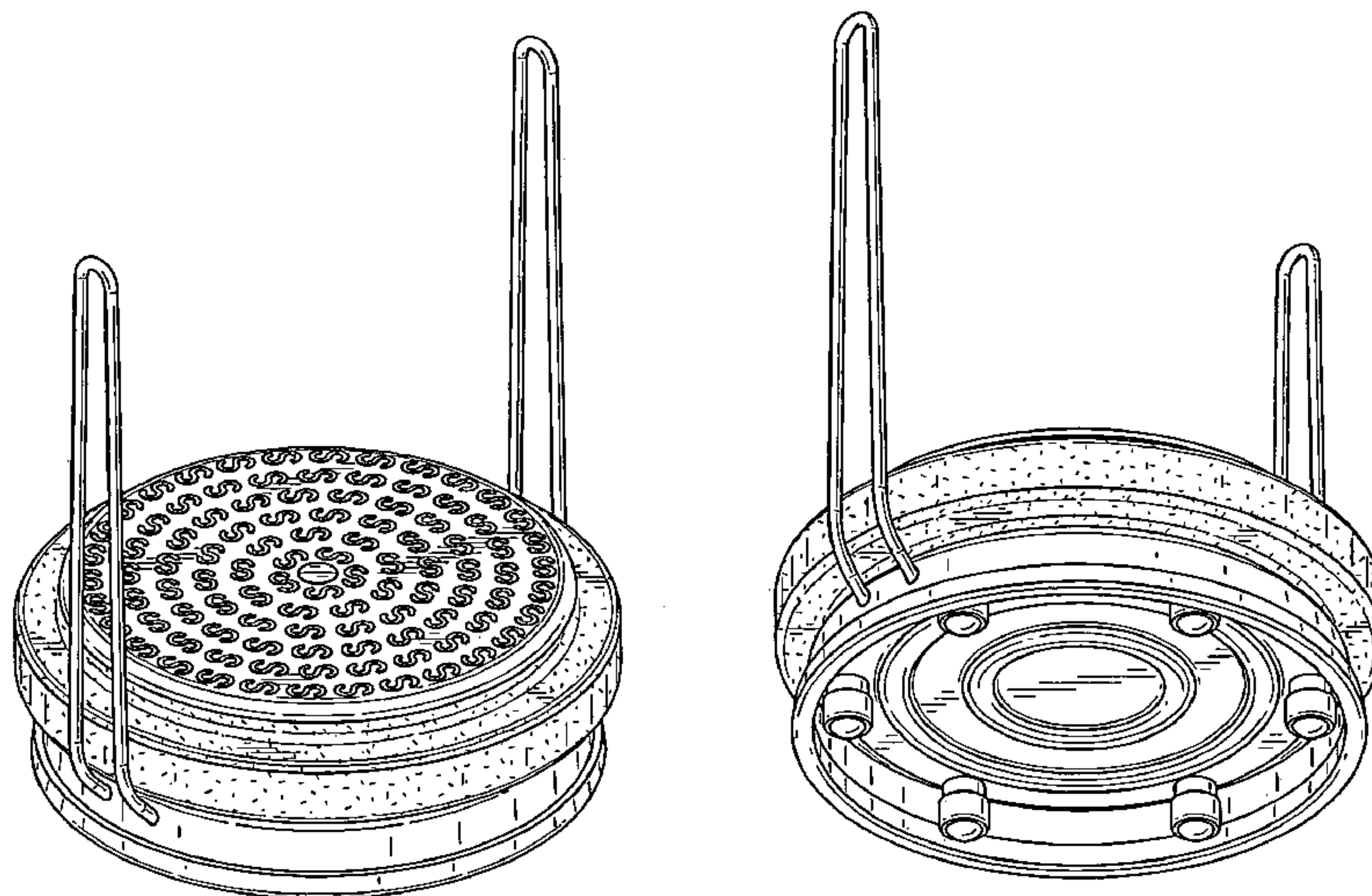
(57) **CLAIM**

The ornamental design for a rider operated flexible body skate plate, as shown.

**DESCRIPTION**

FIG. 1 is a Top front perspective view of the invention, showing our new design;  
FIG. 2 is a Bottom front perspective view of the invention thereof;  
FIG. 3 is a Front elevation view of the invention thereof;  
FIG. 4 is a Rear elevation view of the invention thereof;  
FIG. 5 is a Top plan view of the invention thereof; and,  
FIG. 6 is a Bottom plan view of the invention thereof.

**1 Claim, 3 Drawing Sheets**



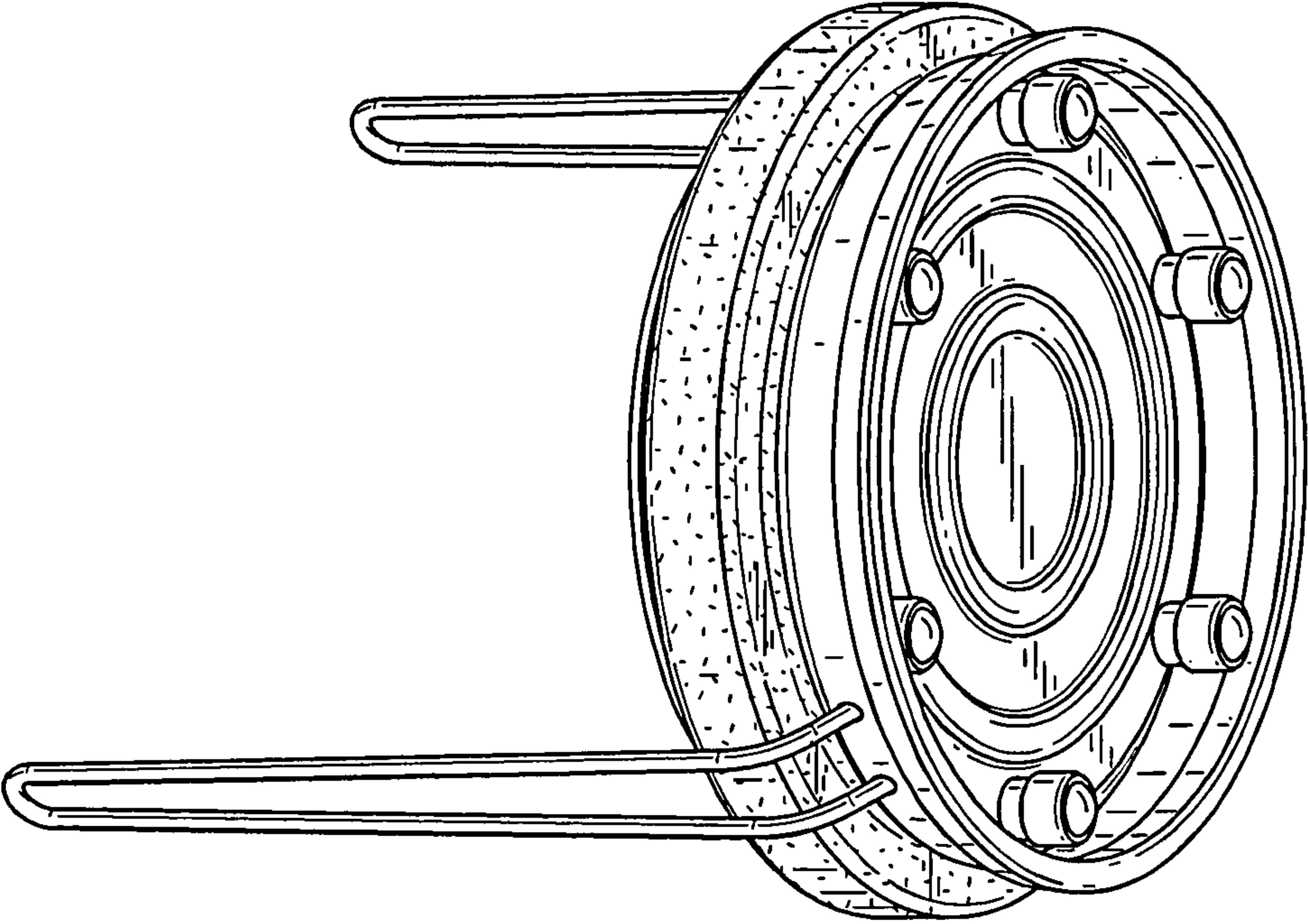


FIG. 1

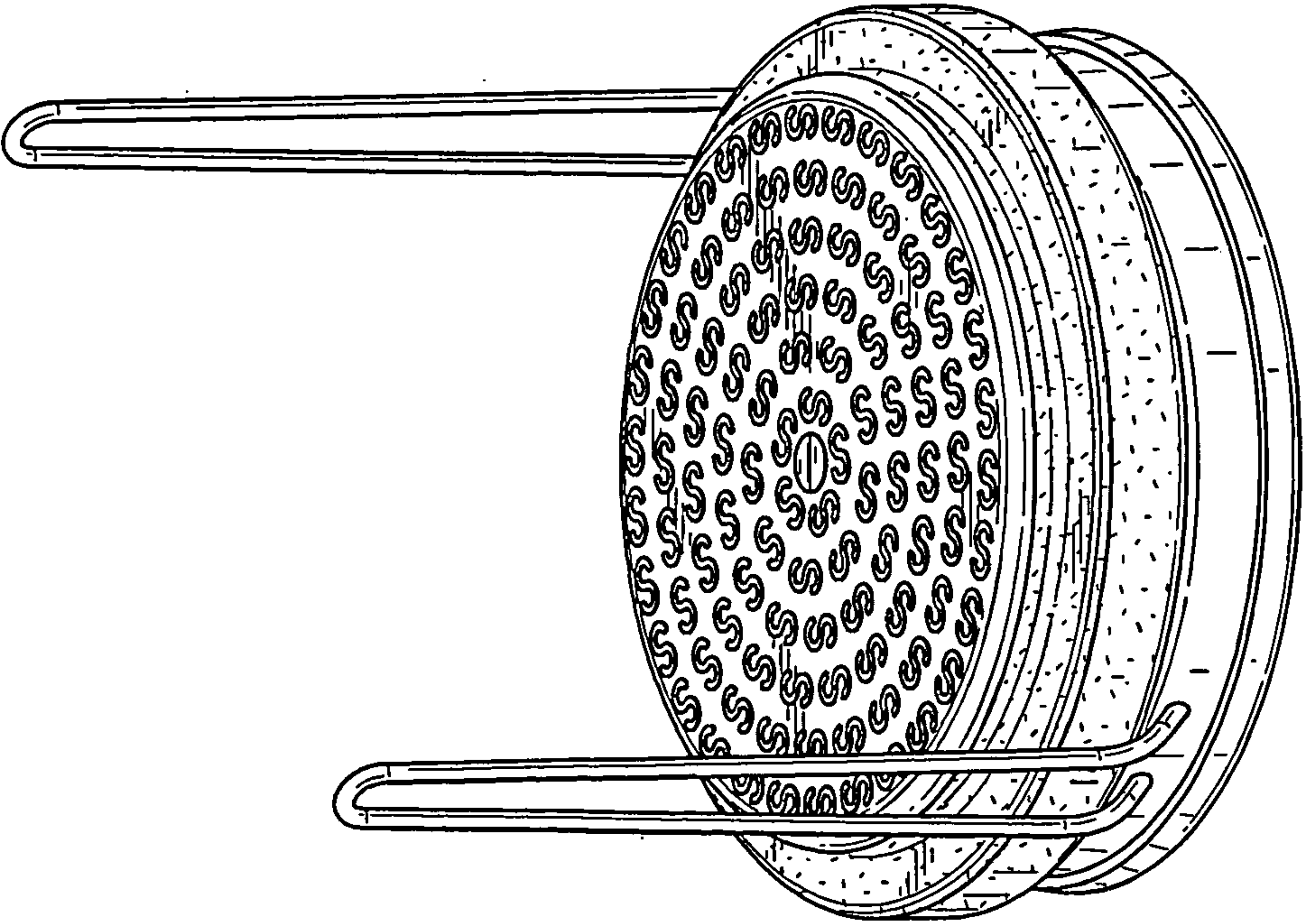


FIG. 2

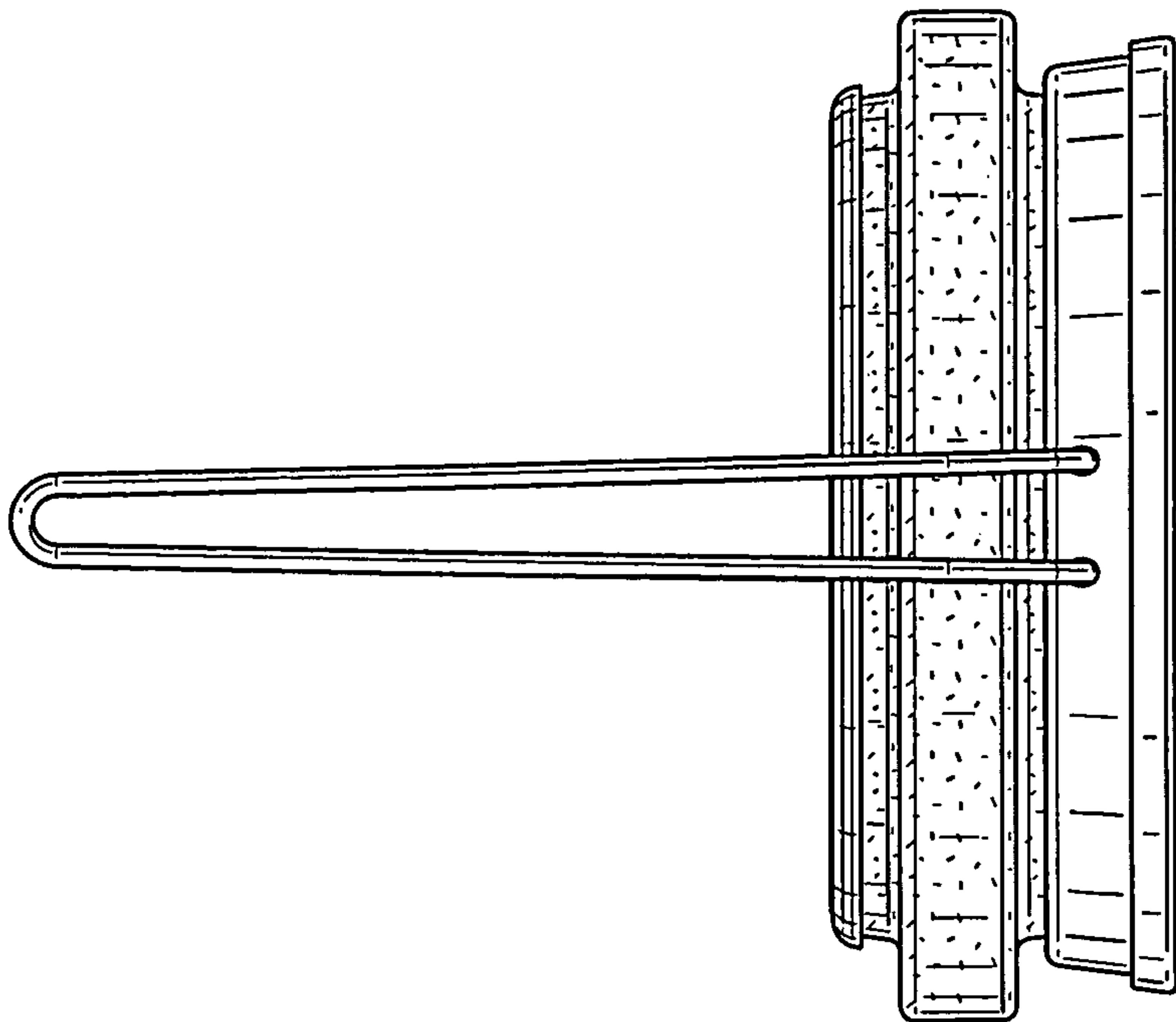


FIG. 4

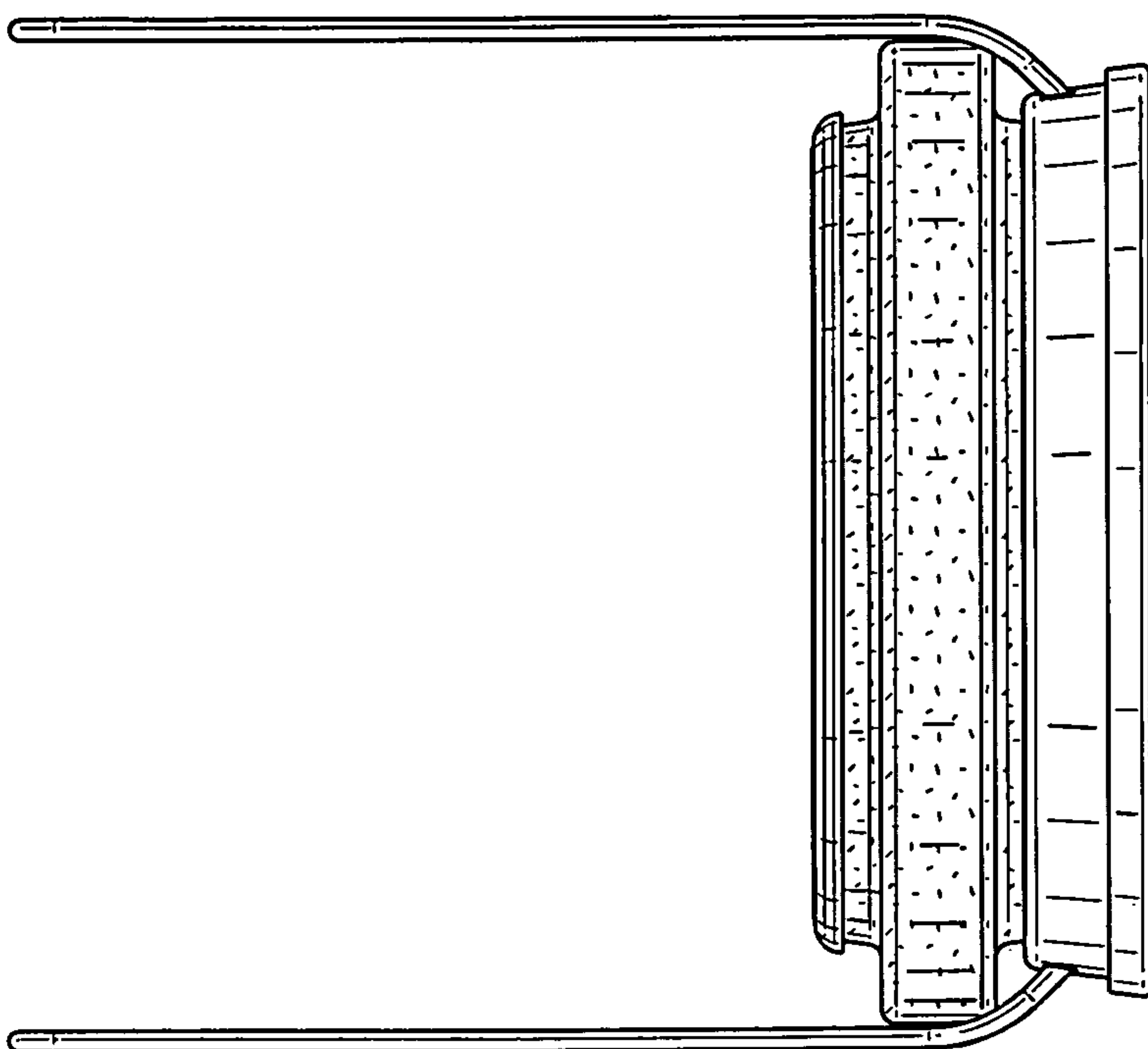


FIG. 3



FIG. 5

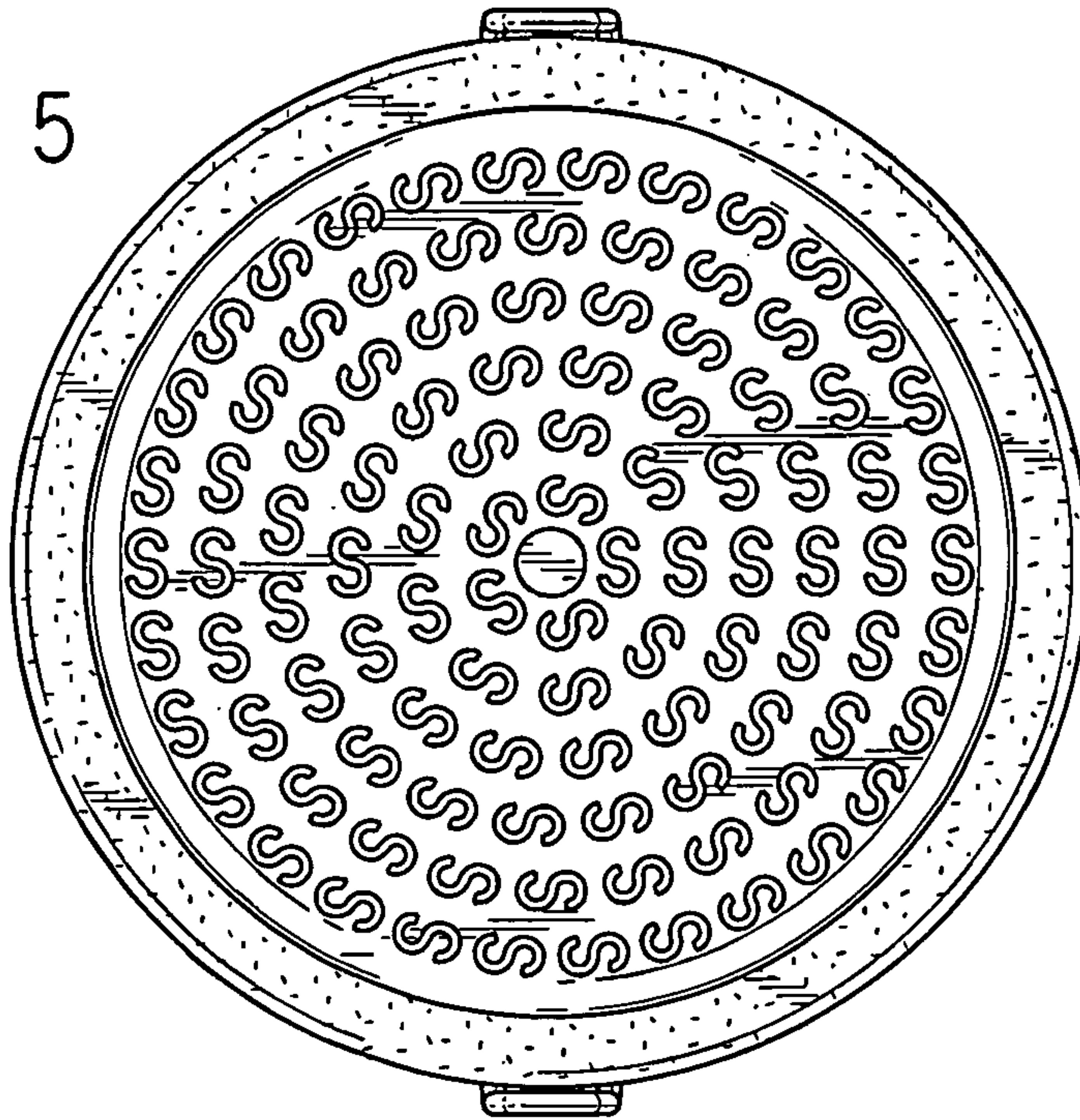


FIG. 6

