



US00D742463S

(12) **United States Design Patent**
An

(10) **Patent No.:** **US D742,463 S**

(45) **Date of Patent:** **** Nov. 3, 2015**

(54) **HAND GRIP EXERCISER**

(71) Applicant: **Tae Jin An**, Incheon (KR)

(72) Inventor: **Tae Jin An**, Incheon (KR)

(**) Term: **14 Years**

(21) Appl. No.: **29/470,503**

(22) Filed: **Oct. 22, 2013**

(30) **Foreign Application Priority Data**

Apr. 29, 2013 (KR) 30-2013-0022621

(51) **LOC (10) Cl.** **21-02**

(52) **U.S. Cl.**

USPC **D21/684**

(58) **Field of Classification Search**

USPC D21/662, 684, 692, 694; 482/44, 49,
482/50, 121, 126, 122

CPC A63B 23/16

See application file for complete search history.

(56) **References Cited**

U.S. PATENT DOCUMENTS

D264,737 S * 6/1982 Cooper D21/684

D277,593 S * 2/1985 Terrian et al. D21/693

4,553,746 A * 11/1985 Lee 482/49

4,634,114 A *	1/1987	Garcia	482/49
4,726,580 A *	2/1988	Batiste et al.	482/49
5,409,436 A *	4/1995	Chang	482/49
D438,266 S *	2/2001	Levrett	D21/684
6,319,175 B1 *	11/2001	Wu	482/49
6,881,177 B2 *	4/2005	An	482/49
D591,367 S *	4/2009	Harris	D21/684
7,789,815 B2 *	9/2010	An	482/126
2008/0103026 A1 *	5/2008	An	482/49

* cited by examiner

Primary Examiner — Phillip S Hyder

(74) *Attorney, Agent, or Firm* — Revolution IP, PLLC

(57) **CLAIM**

The ornamental design for a hand grip exerciser, as shown and described.

DESCRIPTION

FIG. 1 is an upper right front perspective view of a hand grip exerciser, showing my new design;
FIG. 2 is a front view thereof;
FIG. 3 is a rear view thereof;
FIG. 4 is a left side view thereof;
FIG. 5 is a right side view thereof;
FIG. 6 is a top view thereof; and,
FIG. 7 is a bottom view thereof.

The broken lines depict portions of the hand grip exerciser in which the design is embodied that are not considered part of the claimed design.

1 Claim, 6 Drawing Sheets

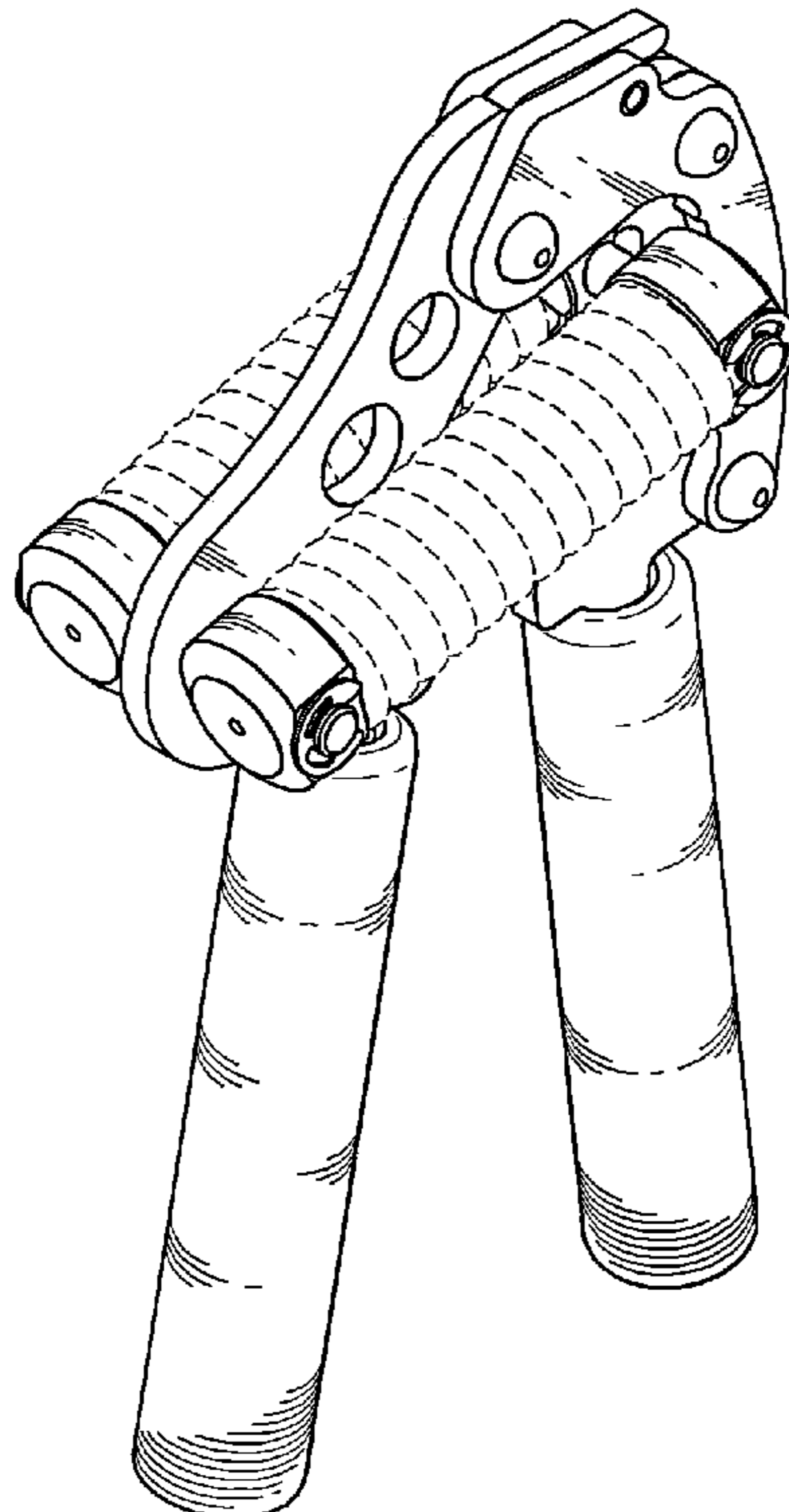


FIG. 1

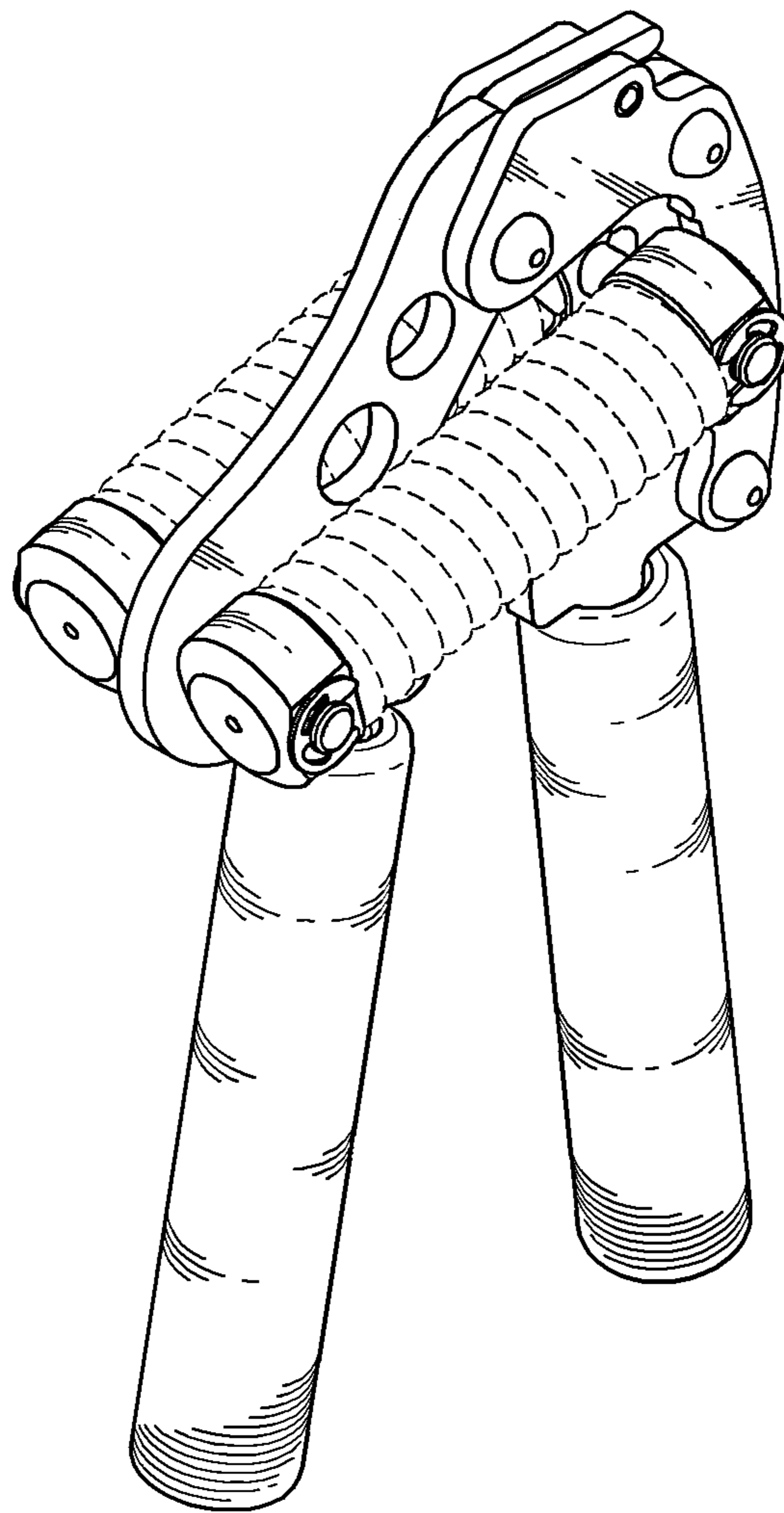


FIG. 2

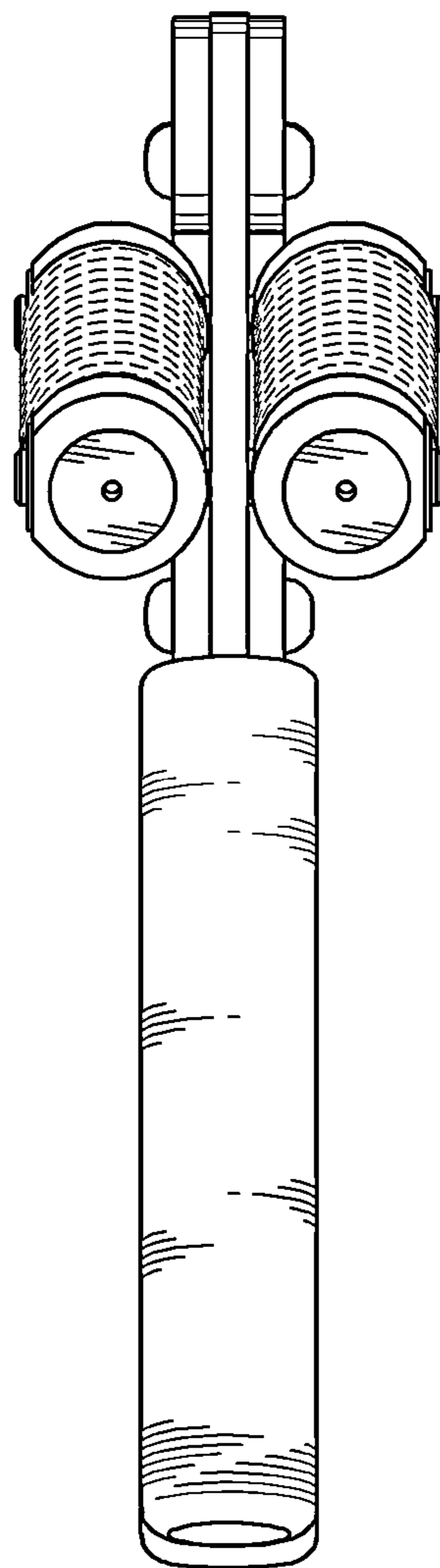


FIG. 3

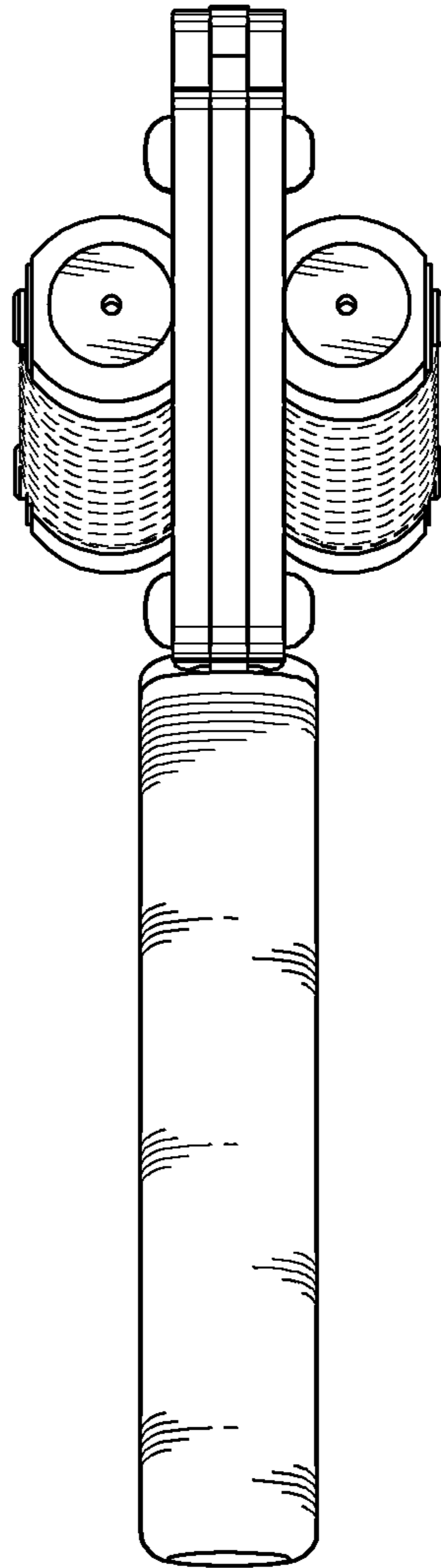


FIG. 4

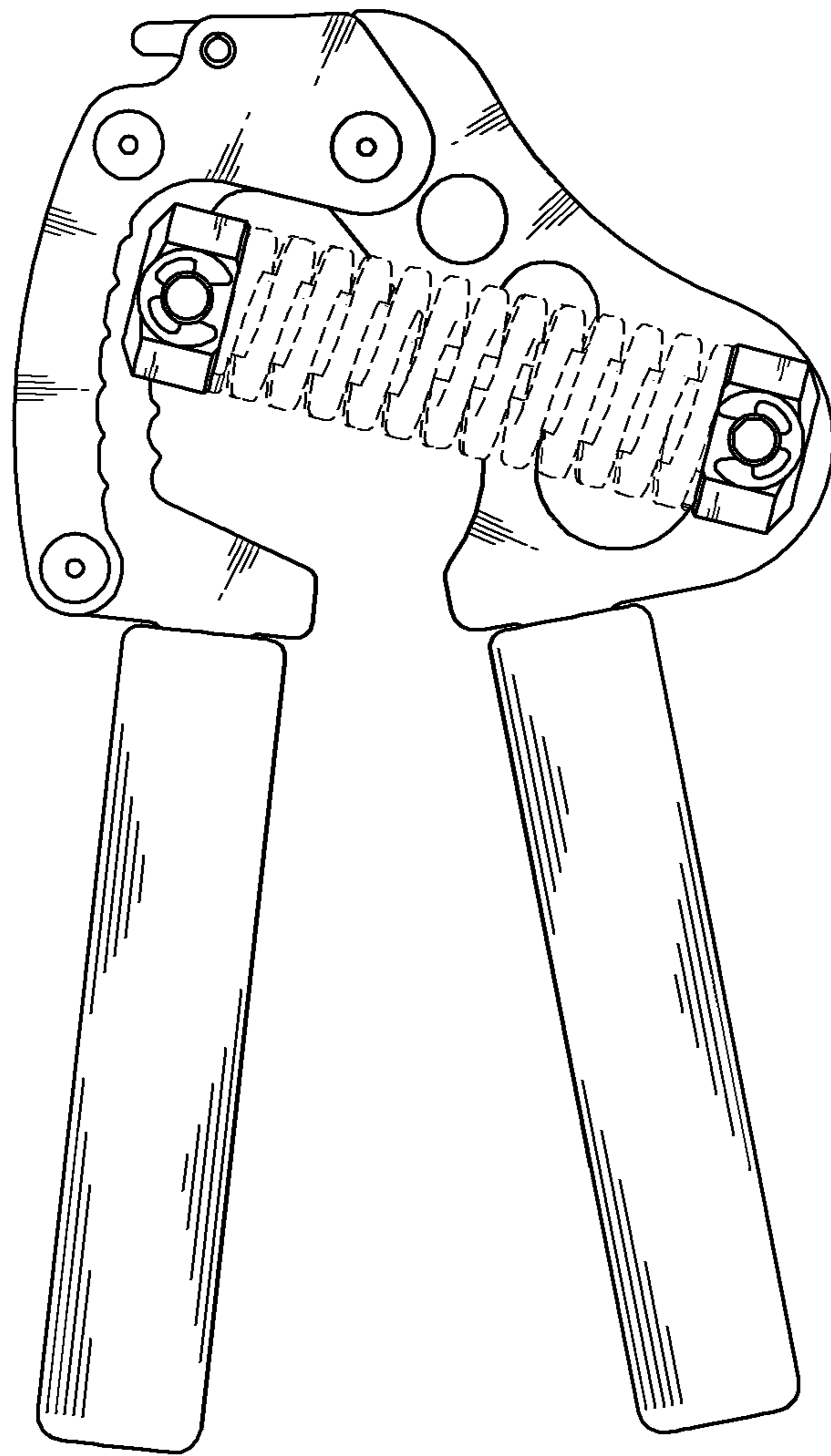


FIG. 5

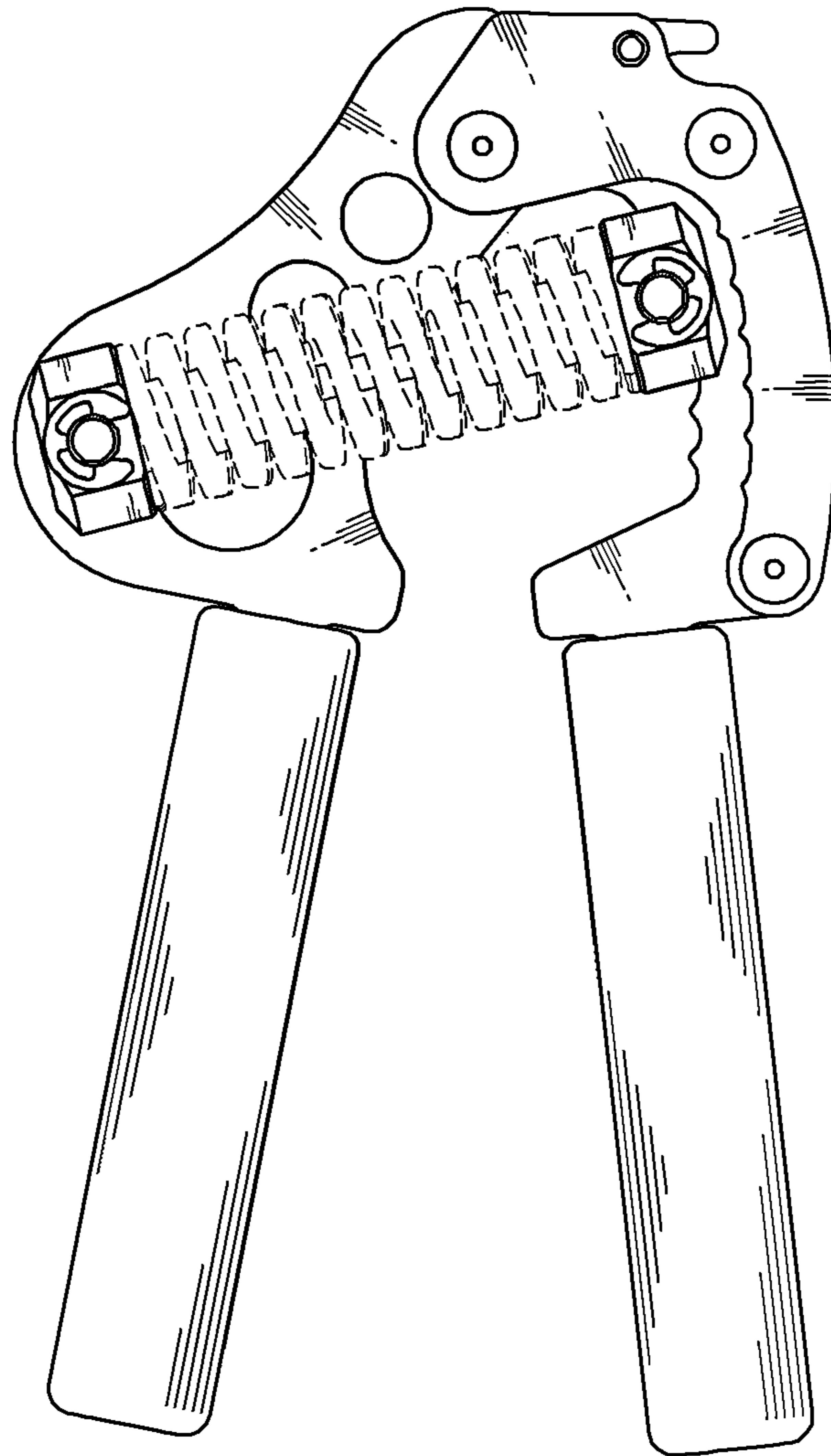


FIG. 6

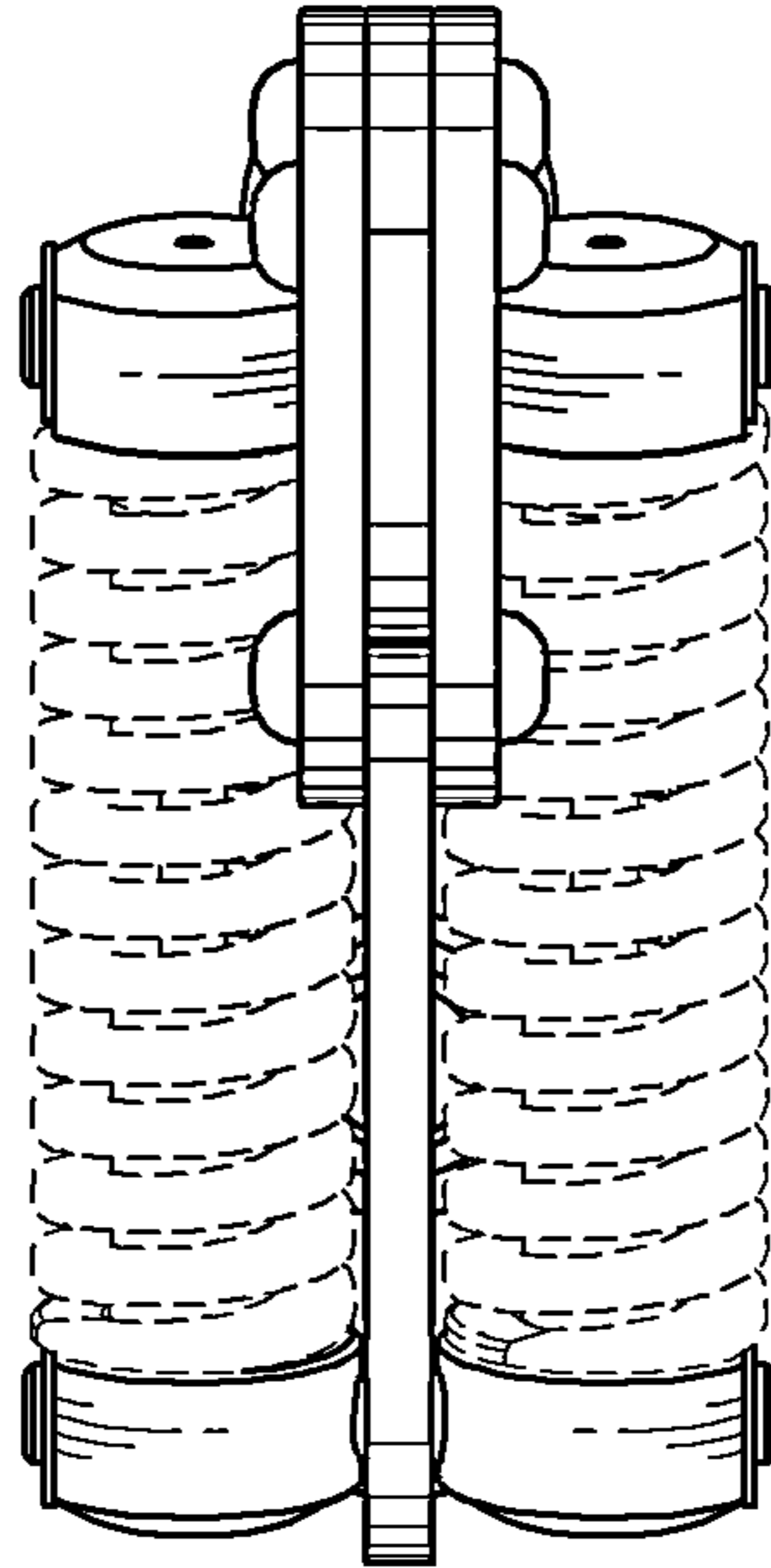


FIG. 7

