



US00D742457S

(12) **United States Design Patent**
Meckler et al.

(10) **Patent No.:** **US D742,457 S**
(45) **Date of Patent:** **** Nov. 3, 2015**

(54) **BICYCLE TOTE**

FOREIGN PATENT DOCUMENTS

(71) Applicant: **CityBikeBasket LLC**, New York, NY (US)

CN 202476678 10/2012
CN 202827876 3/2013
WO 9113794 9/1991

(72) Inventors: **Alan M. Meckler**, New York, NY (US);
Evan Dierlam, New York, NY (US)

OTHER PUBLICATIONS

(73) Assignee: **CityBikeBasket LLC**, New York, NY (US)

Citi Bike, Meet the Bike, Copyright 2013 NYC Bike Share, LLC. (10 pages).

(Continued)

(**) Term: **14 Years**

Primary Examiner — Philip S Hyder

(21) Appl. No.: **29/488,152**

Assistant Examiner — Darlington Ly

(22) Filed: **Apr. 16, 2014**

(74) *Attorney, Agent, or Firm* — Michael D. Downs;
Fincham Downs, LLC

(51) **LOC (10) Cl.** **12-16**

(52) **U.S. Cl.**

USPC **D21/407**

(58) **Field of Classification Search**

USPC D12/11-114, 406, 407, 408; 224/42.11,
224/42.13, 400, 412, 419-427; 280/202,
280/278, 282, 287, 281.1, 288.1-288.3, 62,
280/263, 270, 271, 259, 211; D3/213,
D3/304-315; D6/333-335, 511;
D9/424-425; D19/75, 86, 92;
D21/432, 435, 423; D32/37;
206/503-507, 510, 513, 518; 220/485,
220/675-676, 760, 762, 764, 768-769,
220/773; 446/440

CPC B62J 7/04; B62J 7/06; B62J 9/00;
B62J 9/001; B62J 9/003

See application file for complete search history.

(57) **CLAIM**

The ornamental design for a bicycle tote, as shown and described.

DESCRIPTION

FIG. 1 is a front perspective view of a bicycle tote of our invention affixed to a bicycle;
FIG. 2 is a perspective rear view of the bicycle tote of FIG. 1;
FIG. 3 is a left-side plan view of the bicycle tote of FIG. 1;
FIG. 4 is a right-side plan view of the bicycle tote of FIG. 1;
FIG. 5 is a rear elevational view of the bicycle tote of FIG. 1;
FIG. 6 is a front elevational view of the bicycle tote of FIG. 1;
FIG. 7 is a top plan view of the bicycle tote of FIG. 1; and,
FIG. 8 is a bottom plan view of the bicycle tote of FIG. 1.
The broken lines showing the bicycle and handlebar are for the purpose of illustrating environmental structure and form no part of the claimed design. The broken lines showing the rear plate and bolts in the drawings illustrate portions of the bicycle tote that form no part of the claimed design.

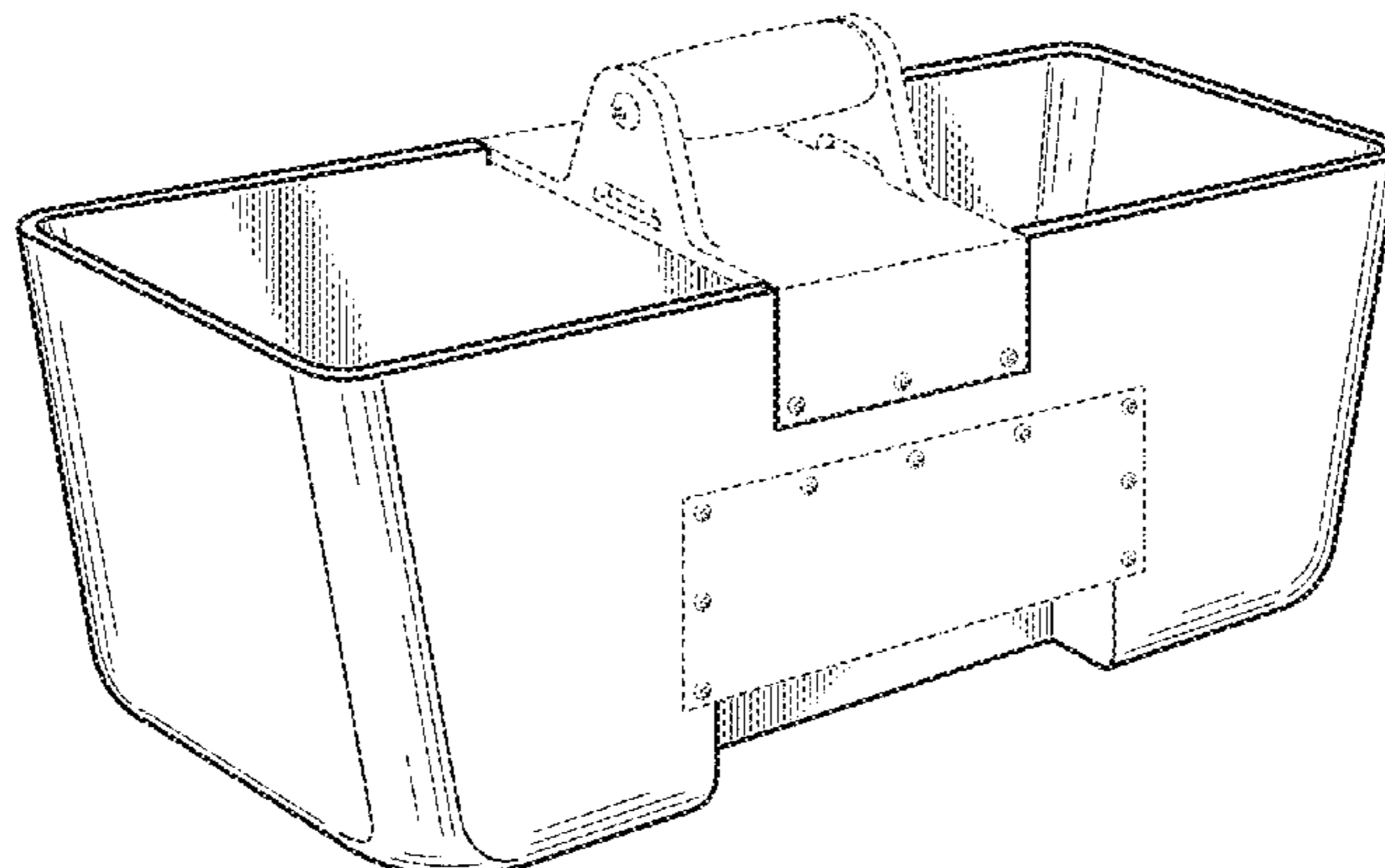
(56) **References Cited**

U.S. PATENT DOCUMENTS

1,802,509 A 4/1931 Hillyard
D135,108 S * 2/1943 Uitz D3/309
2,697,460 A 12/1954 Barnett

(Continued)

1 Claim, 4 Drawing Sheets



(56)

References Cited

U.S. PATENT DOCUMENTS

3,695,496 A * 10/1972 Humlong 224/420
 D237,483 S * 11/1975 Uitz D12/407
 3,995,803 A * 12/1976 Uitz 224/432
 4,003,508 A 1/1977 Hoops
 D259,099 S * 5/1981 Davis D3/309
 4,390,088 A 6/1983 Brenner
 4,730,758 A * 3/1988 McMurtrey 224/417
 D326,550 S * 5/1992 Waterman D3/304
 5,282,554 A * 2/1994 Thomas 224/421
 5,353,973 A 10/1994 McMurtrey
 5,406,816 A 4/1995 Thomas
 D364,272 S * 11/1995 Brightbill D3/312
 D400,355 S * 11/1998 Apenes D3/309
 D404,571 S * 1/1999 Evans D3/312
 D497,253 S * 10/2004 Alves D3/309
 D509,063 S * 9/2005 Giampavolo D3/314

D594,812 S * 6/2009 Helgerson D12/407
 D611,709 S * 3/2010 Ceravolo D3/304
 D626,493 S * 11/2010 Dallaire et al. D12/407
 8,074,852 B2 12/2011 Crum, Jr. et al.
 8,322,583 B2 12/2012 Crum, Jr. et al.
 D676,370 S * 2/2013 Pawsat et al. D12/223
 D687,148 S * 7/2013 Knieriem et al. D24/185
 D716,553 S * 11/2014 Wang D3/307
 D722,946 S * 2/2015 Armstrong et al. D12/407
 2010/0133309 A1 * 6/2010 Lee 224/420
 2012/0152993 A1 * 6/2012 Chen 224/419
 2013/0233755 A1 9/2013 Lampe
 2013/0263896 A1 10/2013 Garnett

OTHER PUBLICATIONS

Bike World, Axiom QR Dual-Function Premium Pet Basket, San Antonio, Texas, Feb. 13, 2014. (5 pages).

* cited by examiner

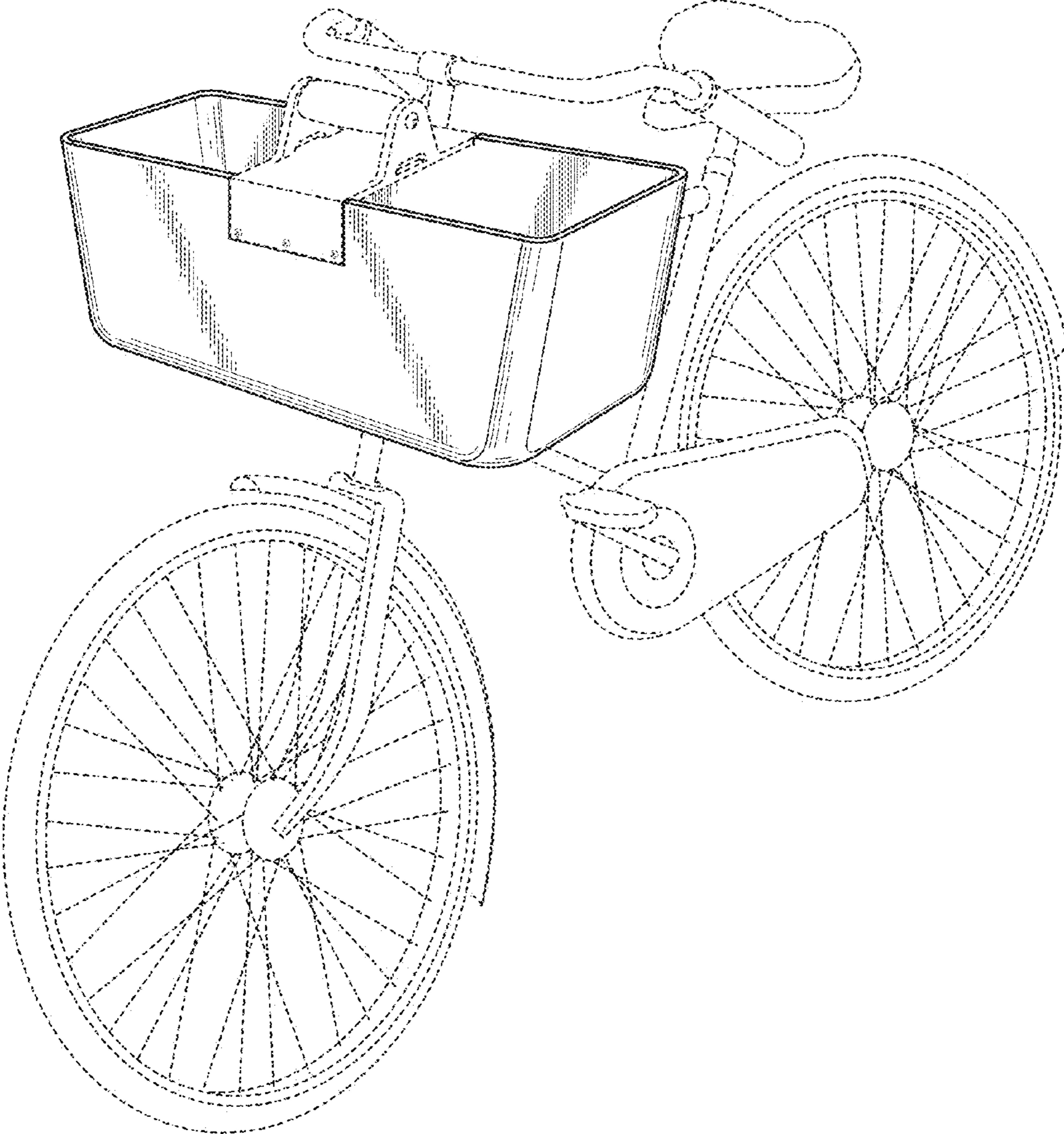


FIG. 1

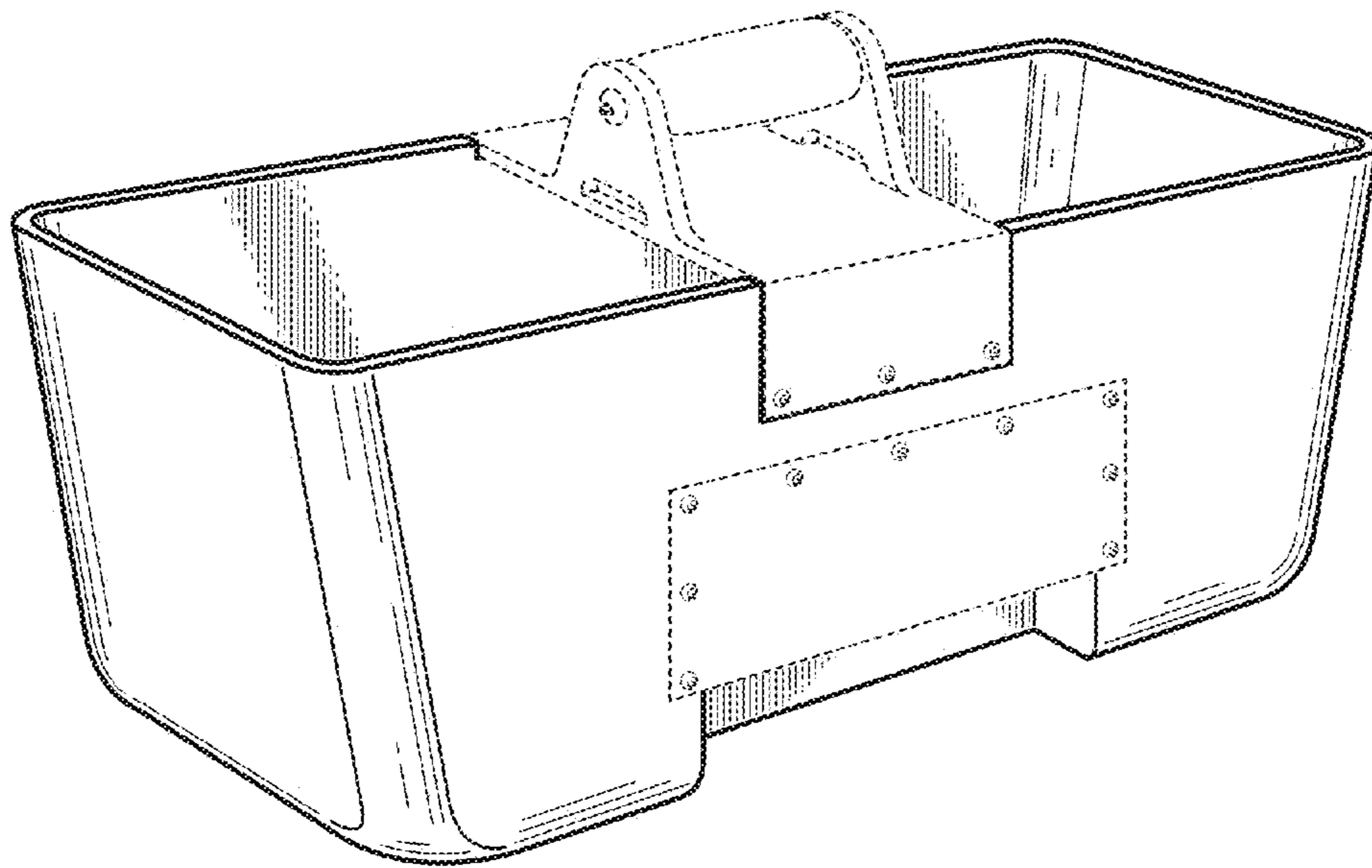


FIG. 2

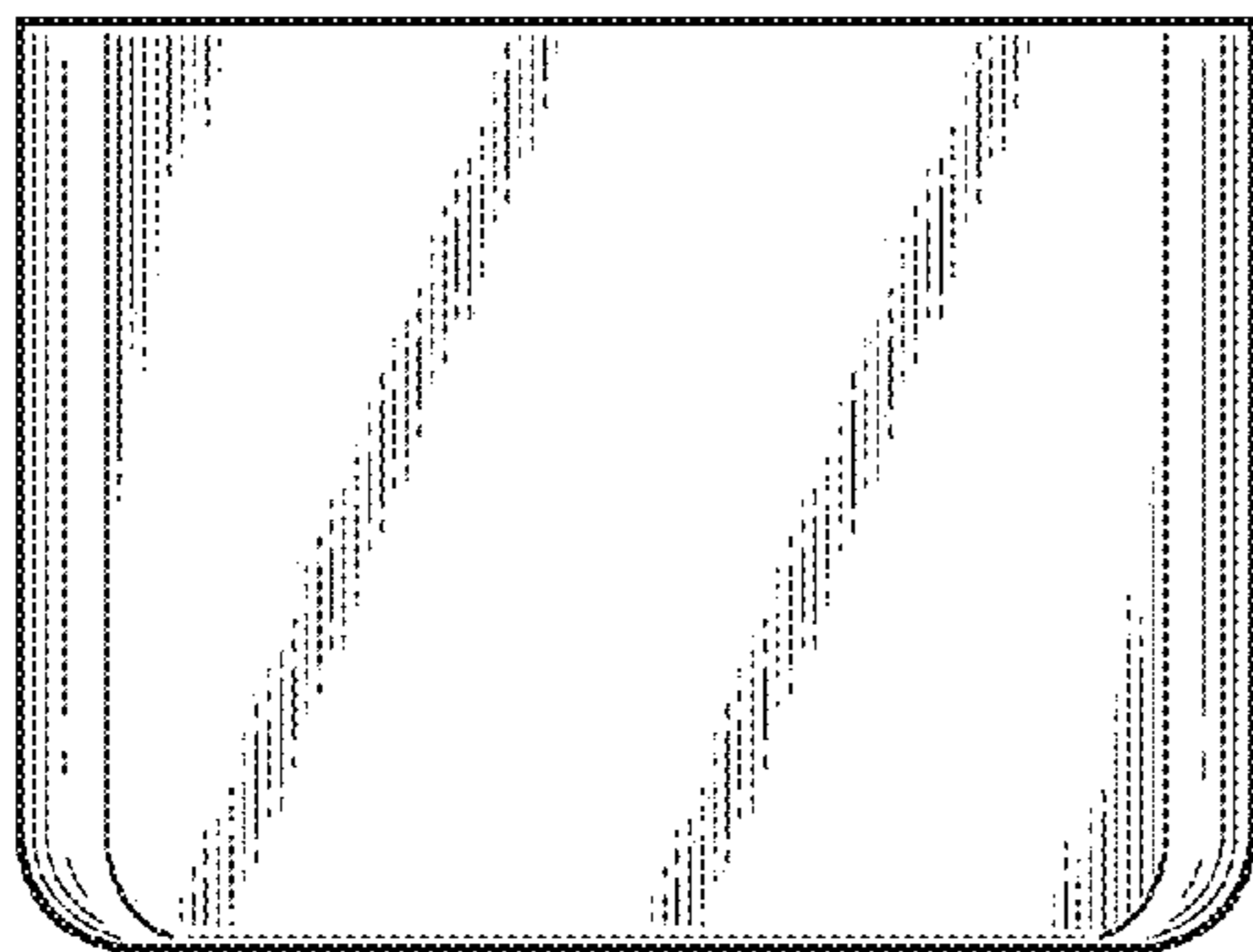


FIG. 3

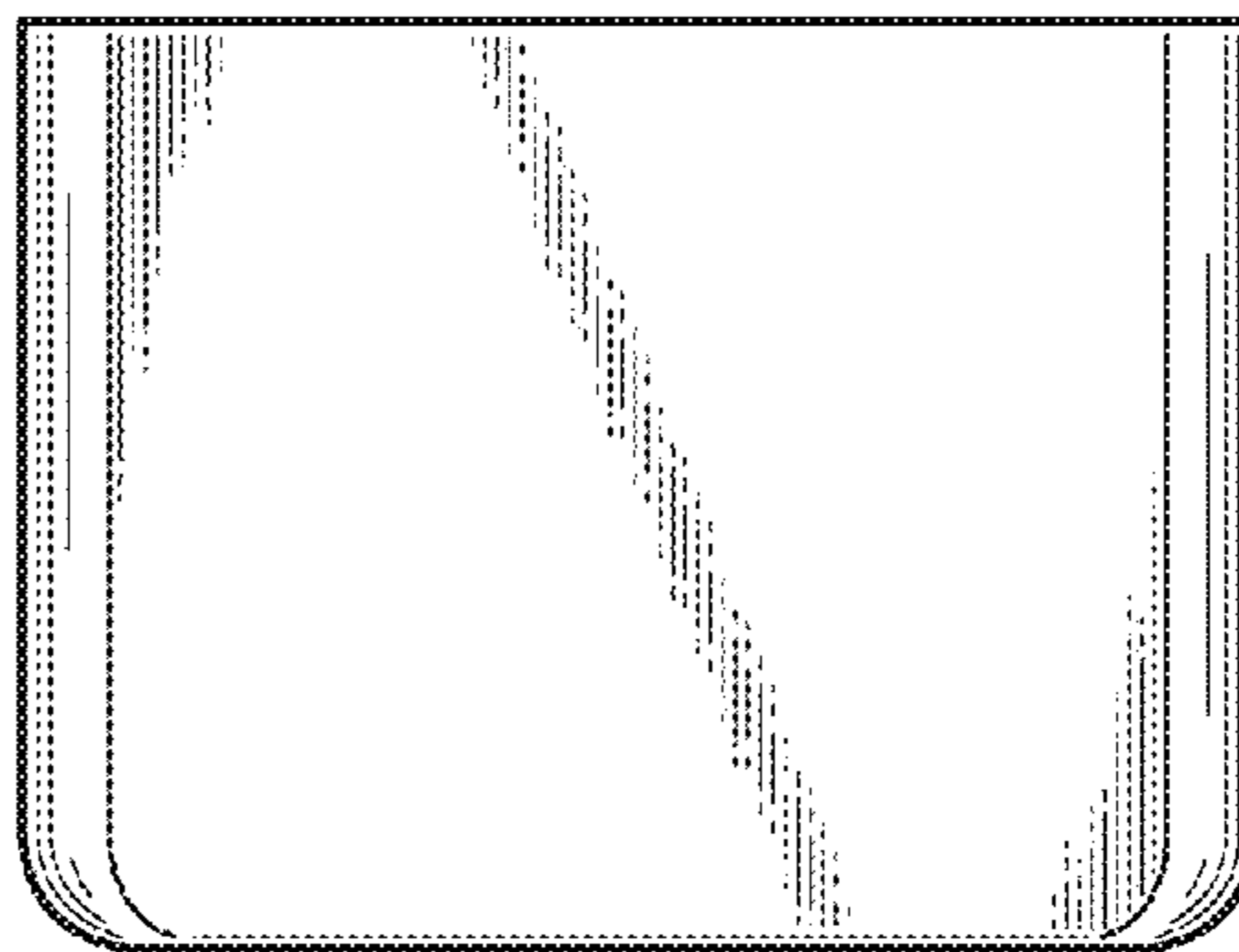


FIG. 4

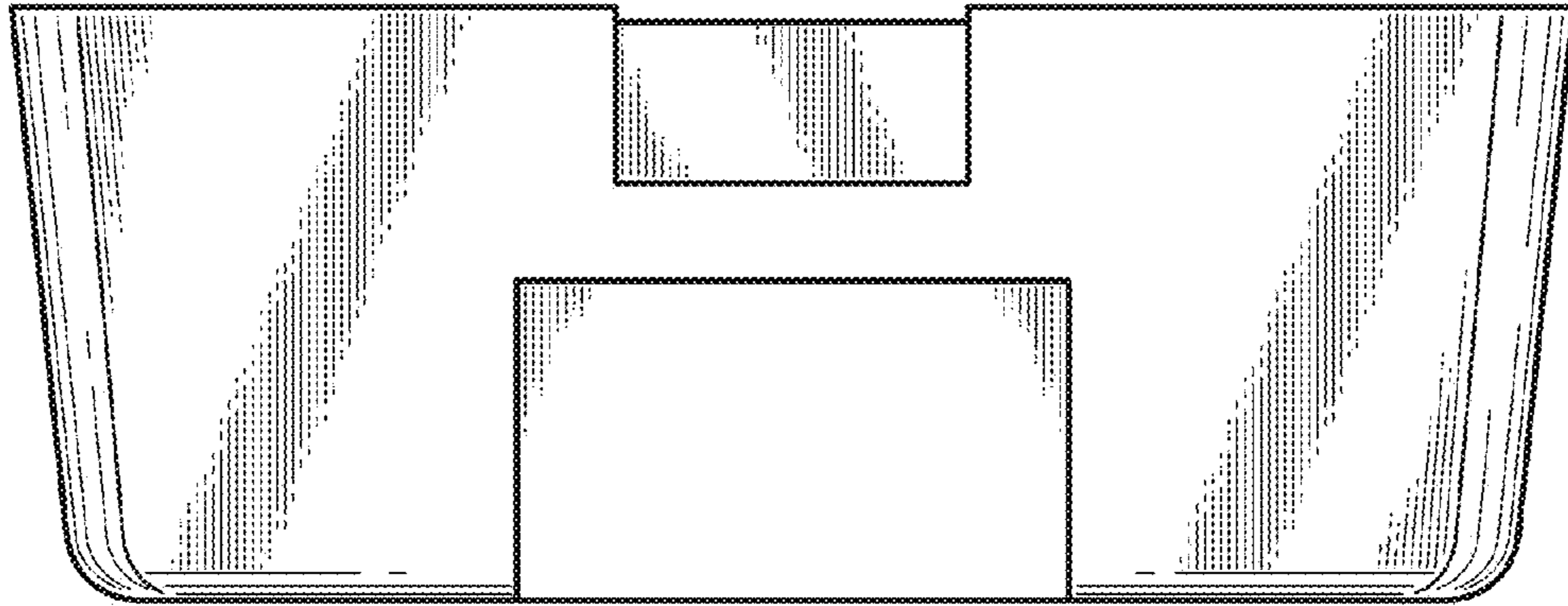


FIG. 5

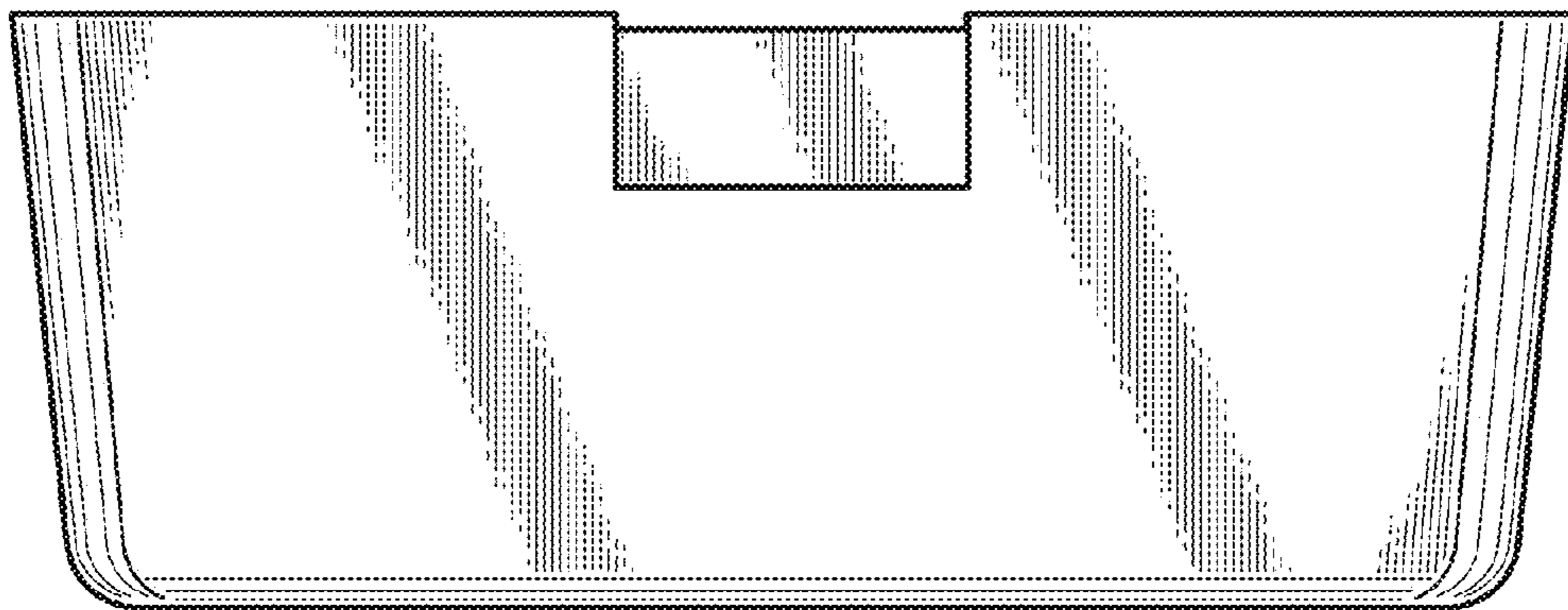


FIG. 6

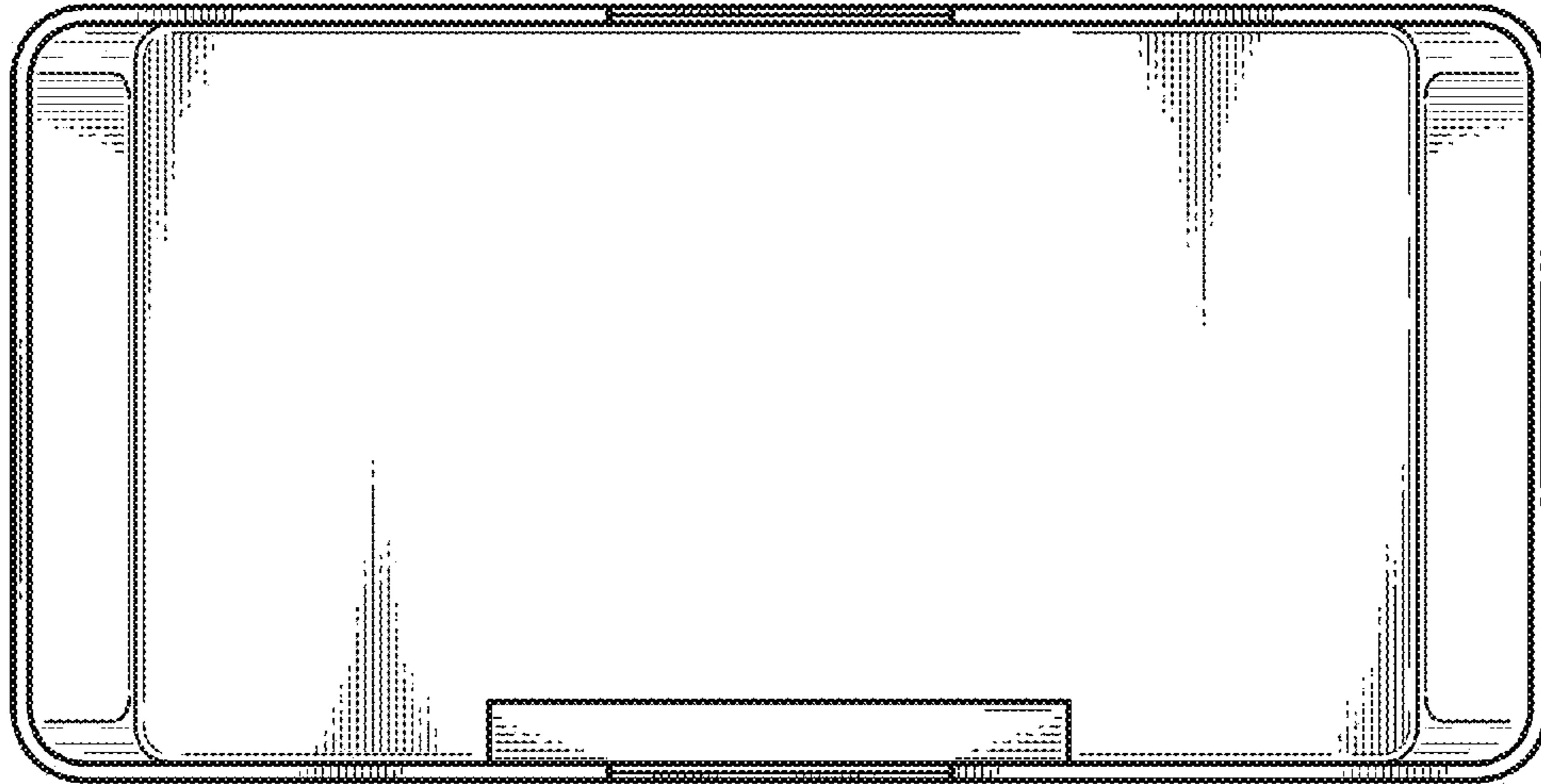


FIG. 7

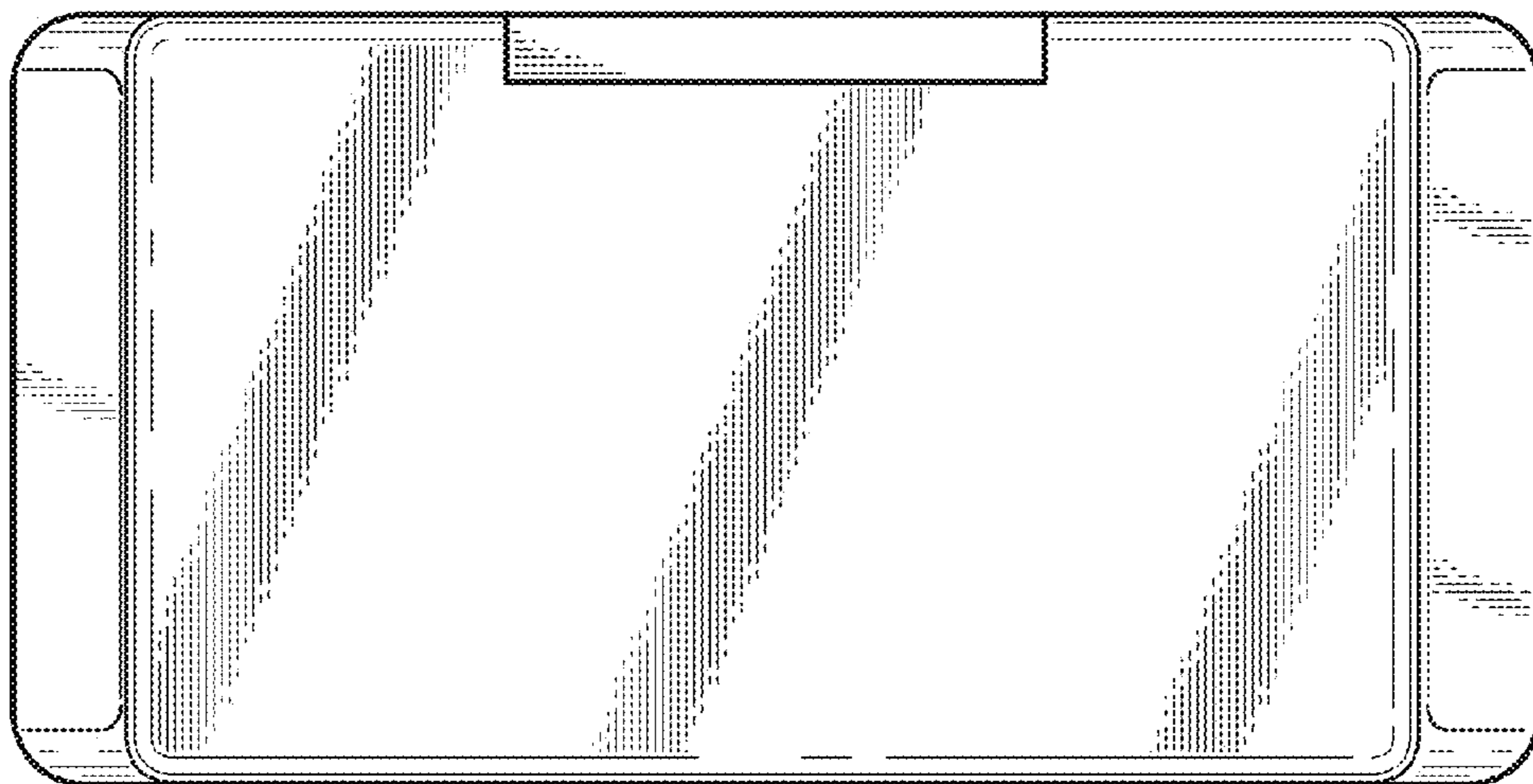


FIG. 8