



US00D742455S

(12) **United States Design Patent**  
**Denby et al.**

(10) **Patent No.:** **US D742,455 S**  
(45) **Date of Patent:** **\*\* Nov. 3, 2015**

(54) **DISPLAY POST**

6,050,012 A 4/2000 Greenfield  
6,341,441 B1 1/2002 Morales  
D476,039 S 6/2003 Forman

(71) Applicant: **TARGET BRANDS, INC.**,  
Minneapolis, MN (US)

(Continued)

(72) Inventors: **Scott E. Denby**, Minneapolis, MN (US);  
**Joseph R. Stukenberg**, Minneapolis,  
MN (US); **Jeremy A. Clark**,  
Minneapolis, MN (US); **Thomas**  
**Michael Balko**, St. Paul, MN (US)

**OTHER PUBLICATIONS**

Office Action from Canadian Patent Application No. 156105, mailed  
Oct. 24, 2014 (2 pages).

(Continued)

(73) Assignee: **Target Brands, Inc.**, Minneapolis, MN  
(US)

*Primary Examiner* — Mary Ann Calabrese

(74) *Attorney, Agent, or Firm* — Griffiths & Seaton PLLC;  
JoAnn M. Seaton

(\*\*) Term: **14 Years**

(21) Appl. No.: **29/480,158**

(57) **CLAIM**

The ornamental design for a display post, as shown and  
described.

(22) Filed: **Jan. 23, 2014**

(51) **LOC (10) Cl.** ..... **20-02**

(52) **U.S. Cl.**

USPC ..... **D20/19**; D6/675; D20/39

(58) **Field of Classification Search**

USPC ..... D20/10, 18, 19, 39-43, 99; D10/109.1,  
D10/109.2, 113.4; D6/672, 675; D14/307,  
D14/129

CPC ..... G09F 7/00; G09F 7/02; G09F 7/06;  
G09F 7/08; G09F 7/18; G09F 9/00; G09F  
13/00; G09F 13/02; G09F 13/04; G09F 15/00;  
G09F 15/0012; G09F 15/0037; G09F 15/02;  
G09F 2007/1821; G09F 2007/1834; G09F  
2013/0431; G09F 2013/0495; G09F  
2017/0075

See application file for complete search history.

**DESCRIPTION**

FIG. 1 is a front, perspective view of a display post showing  
our new design;

FIG. 2 is a front view thereof, the rear view being a mirror  
image to the front view;

FIG. 3 is a right side view thereof, the left side view being a  
mirror image of the right side view; and

FIG. 4 is a top view thereof.

FIG. 5 is a front, perspective view of the display post of FIG.  
1 with additional environmental subject matter;

FIG. 6 is a front view thereof, the rear view being a mirror  
image to the front view;

FIG. 7 is a right side view thereof;

FIG. 8 is a left side view thereof; and

FIG. 9 is a top view thereof; and,

FIG. 10 is a front, perspective view of the display post of FIG.  
1 with additional environmental subject matter.

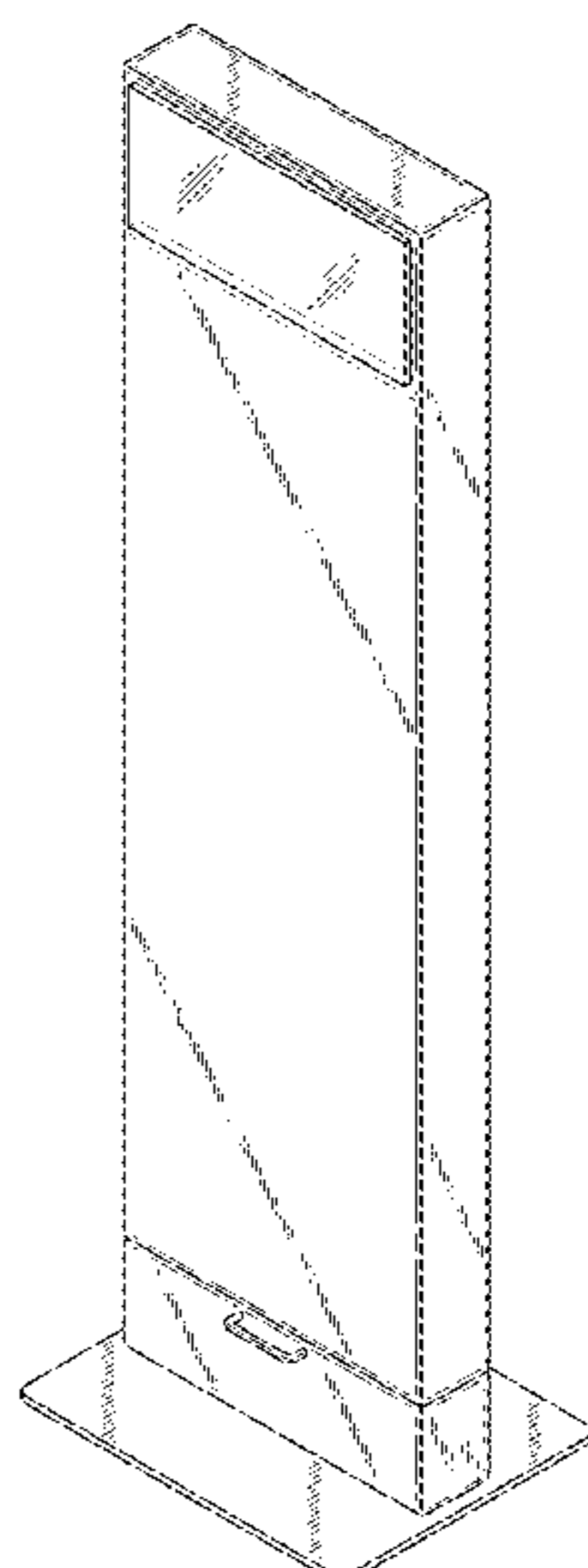
The features shown in broken lines are portions of the display  
post or environmental subject matter to the display post form-  
ing no part of the claimed design. Bottom views are omitted as  
all bottom surfaces are hereby disclaimed.

(56) **References Cited**

**U.S. PATENT DOCUMENTS**

2,735,204 A 2/1956 Grant  
D216,866 S 3/1970 Greco  
5,020,253 A 6/1991 Lie et al.  
5,778,579 A 7/1998 Yuen  
D417,468 S \* 12/1999 Van Genechten ..... D20/10

**1 Claim, 10 Drawing Sheets**



(56)

**References Cited**

U.S. PATENT DOCUMENTS

D478,934 S 8/2003 O'Brien et al.  
 D483,073 S 12/2003 Hilton  
 D501,889 S 2/2005 Harris et al.  
 D538,806 S 3/2007 Brod et al.  
 D589,279 S 3/2009 Stukenberg  
 D601,636 S 10/2009 Brazelton et al.  
 D631,514 S 1/2011 Baker  
 D639,800 S \* 6/2011 Magruder ..... D14/307  
 D647,978 S 11/2011 Bacskai et al.  
 D661,124 S \* 6/2012 Curbbun ..... D20/10  
 D662,329 S 6/2012 Arko et al.  
 D685,855 S 7/2013 Hawkins  
 D685,856 S 7/2013 Hawkins  
 D700,901 S \* 3/2014 Giglio ..... D14/129  
 D708,459 S \* 7/2014 Heirakuji ..... D6/675  
 D709,952 S \* 7/2014 Logan ..... D20/10  
 D722,313 S \* 2/2015 Birgeoglu ..... D14/307  
 D723,026 S \* 2/2015 Birgeoglu ..... D14/307  
 9,076,354 B1 \* 7/2015 Peota ..... G09F 15/0012

2011/0247250 A1\* 10/2011 Dudak ..... G09F 7/00  
 40/603

2011/0296724 A1 12/2011 Yang et al.  
 2012/0037020 A1 2/2012 Hafker et al.  
 2012/0069594 A1 3/2012 Nomura et al.

OTHER PUBLICATIONS

“Monument Signs” forster.at/Monument-signs.213.0.html?&L=2 publicly available at least as early as Jan. 26, 2011 per www.internetarchive.org (2 pages).  
 “Signs Express,” printed from www.signsexpress.ie/branch/14/cardiff/portfolio/38/totem-post-panel-signs/ on Apr. 4, 2012 (5 pages).  
 “Vista Systems,” printed from www.signupdate.co.uk/Freestanding-Signs-May-2009/ on Apr. 4, 2012 (6 pages).  
 “Totem Signs,” printed from http://pic1.gophoto.us/key/totem%20signs on Apr. 4, 2012 (2 pages).  
 Photograph of a Target Field sign publicly disclosed in 2012 (1 page).  
 U.S. Appl. No. 29/427,831, filed Jul. 23, 2012 (6 pages).

\* cited by examiner

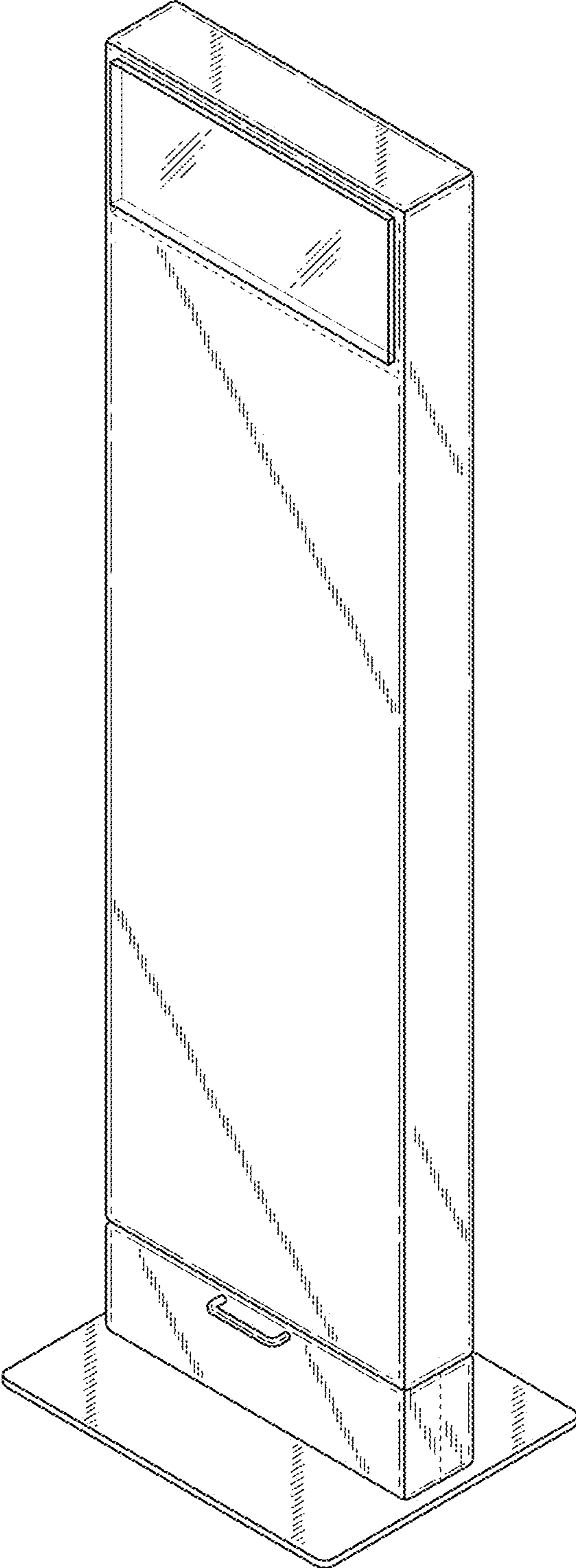


FIG. 1

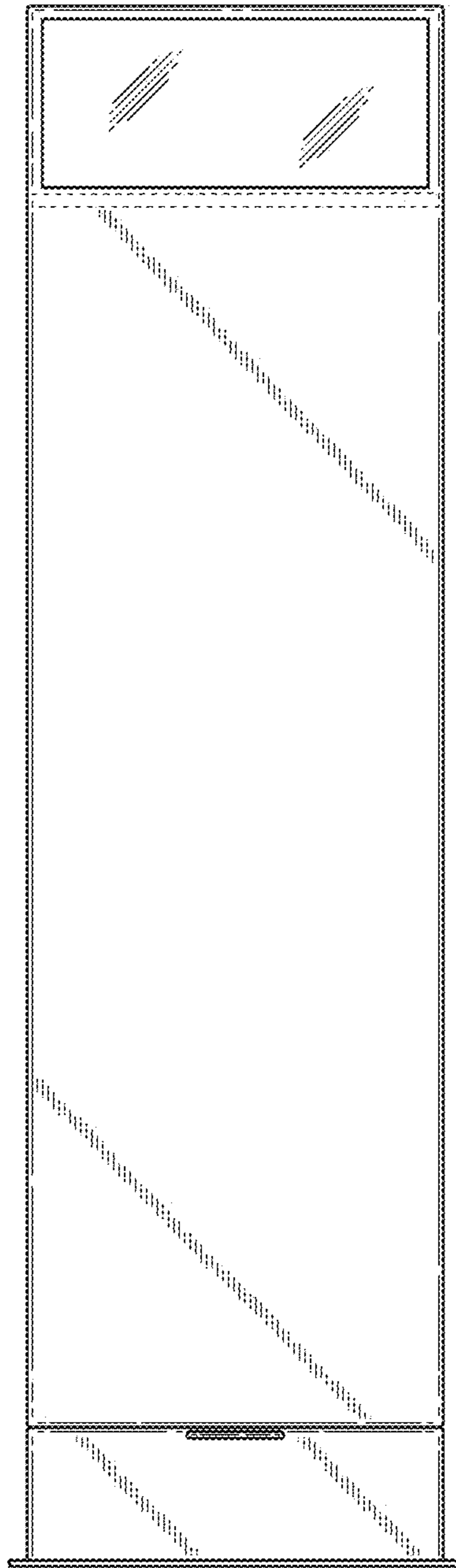


FIG. 2

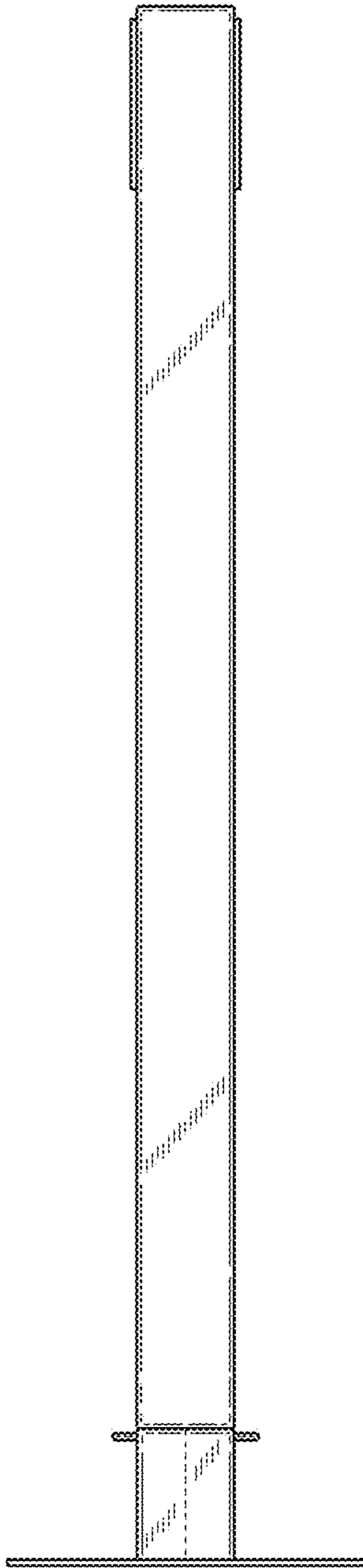


FIG. 3

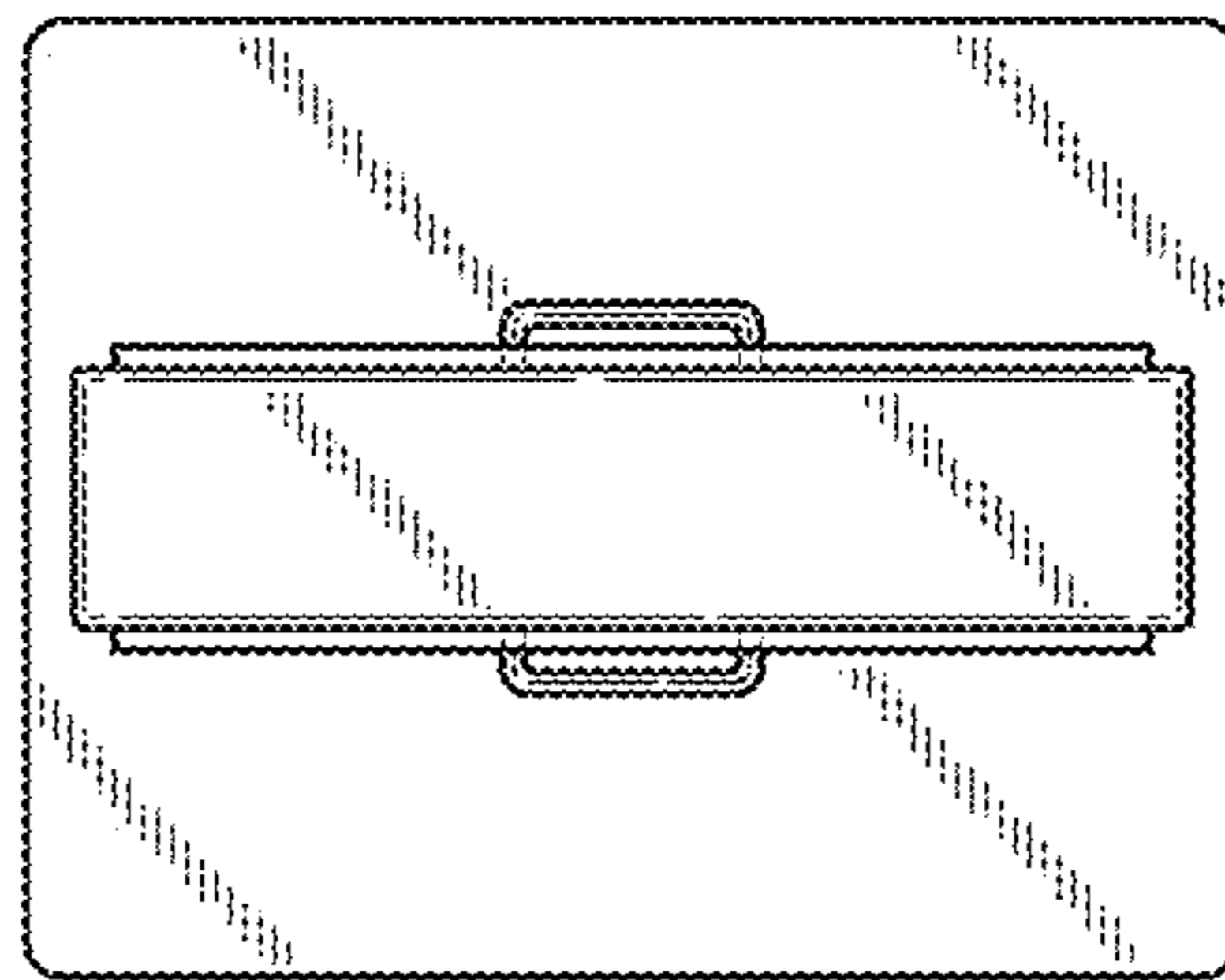


FIG. 4

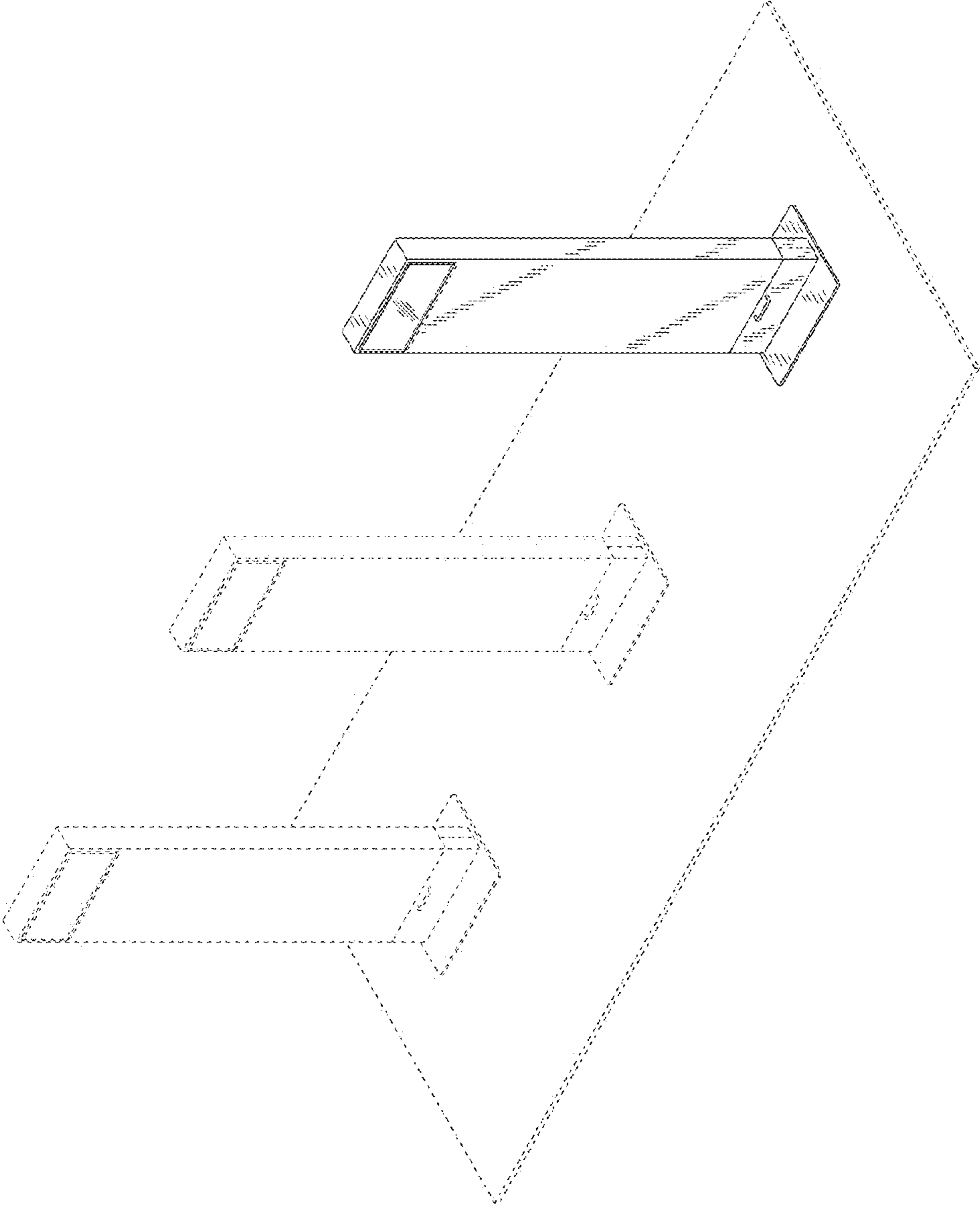


FIG. 5

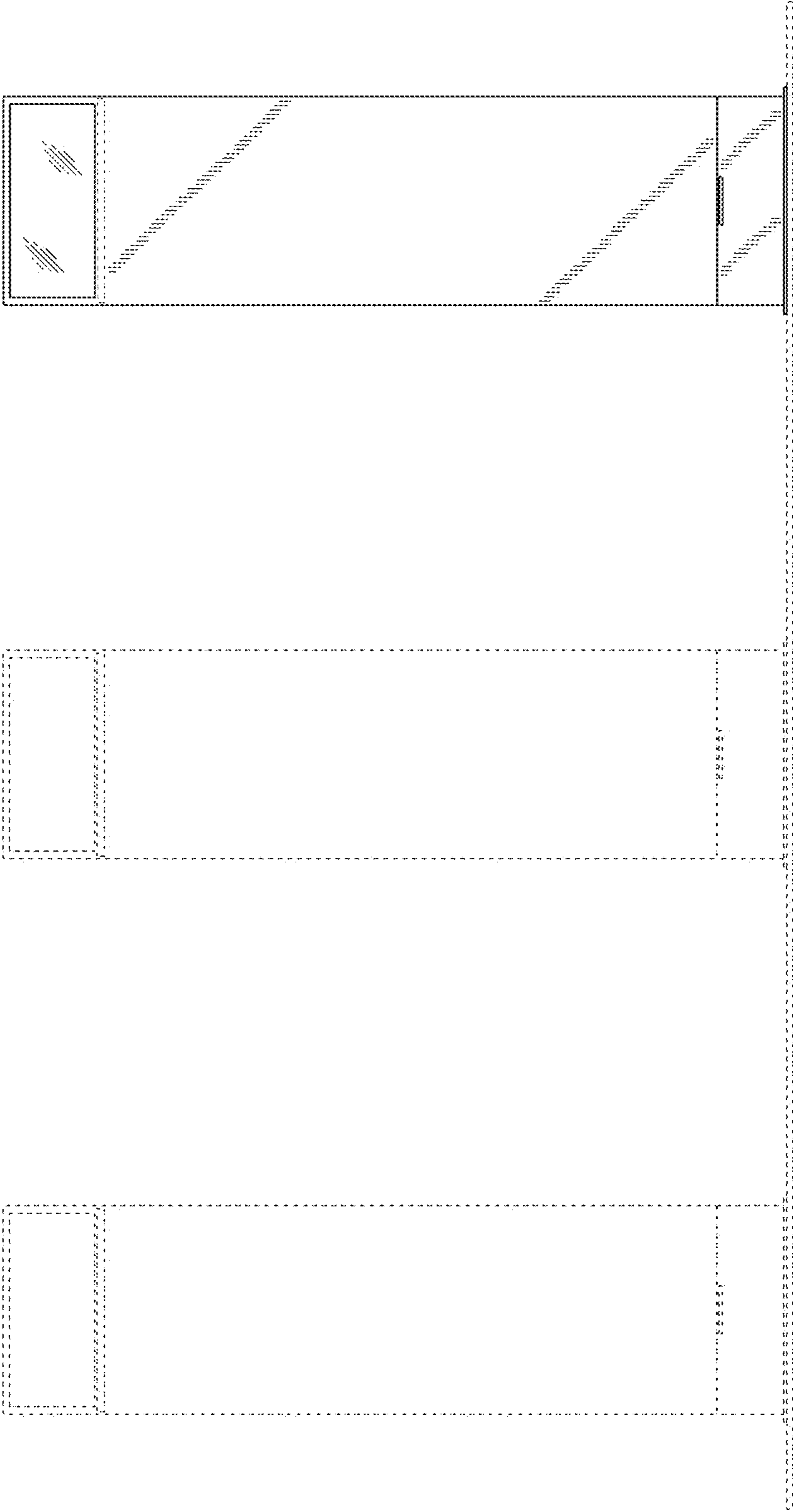


FIG. 6



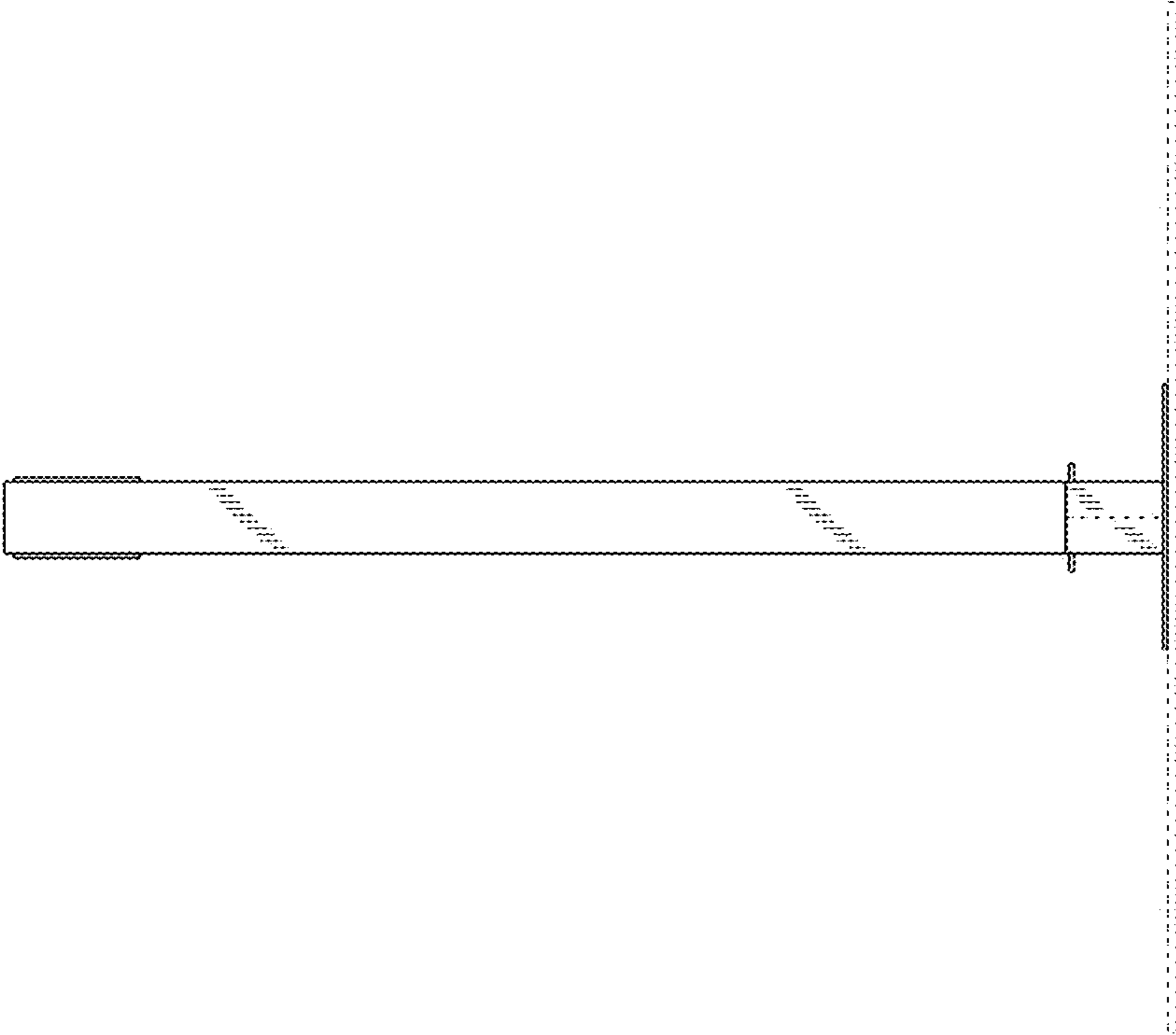


FIG. 7

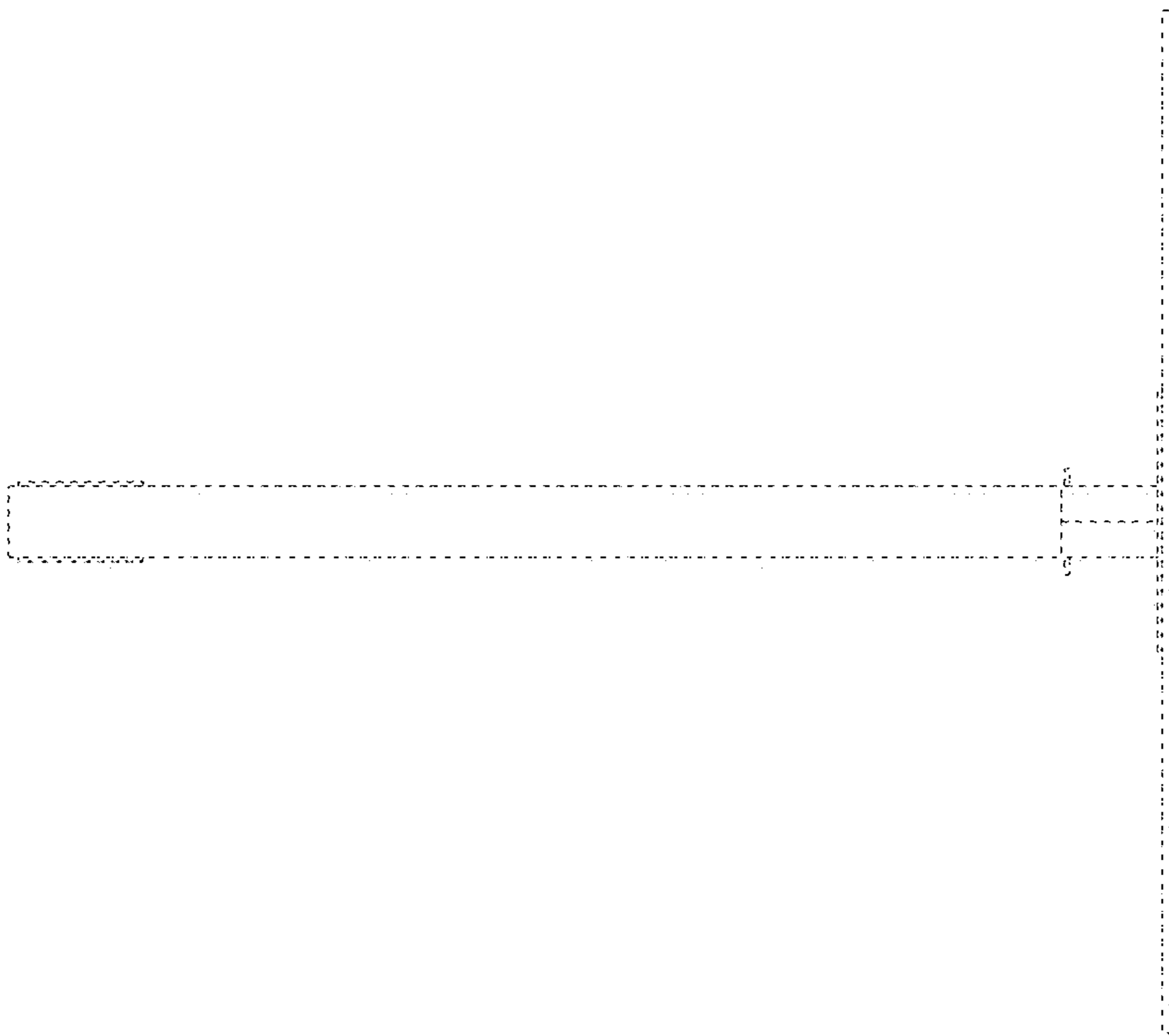


FIG. 8

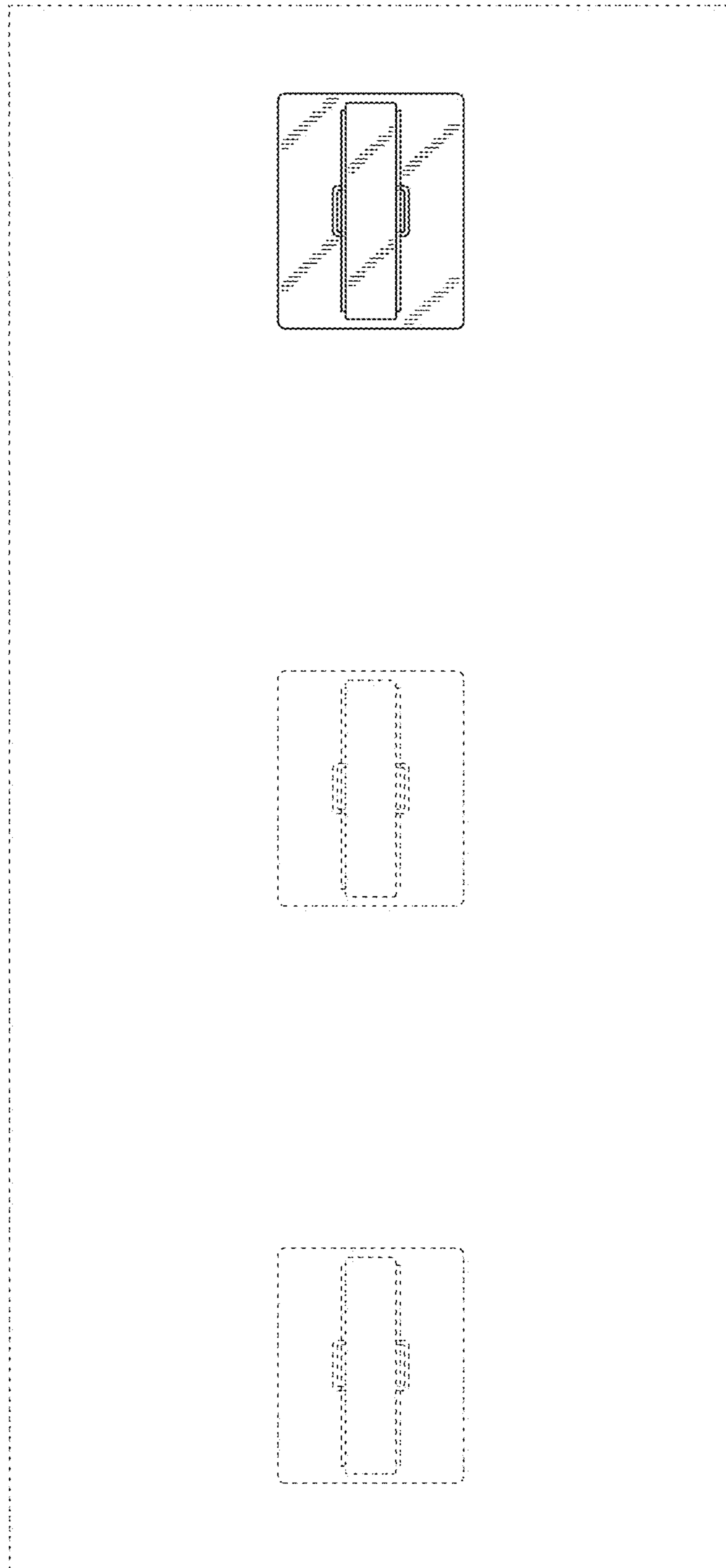


FIG. 9

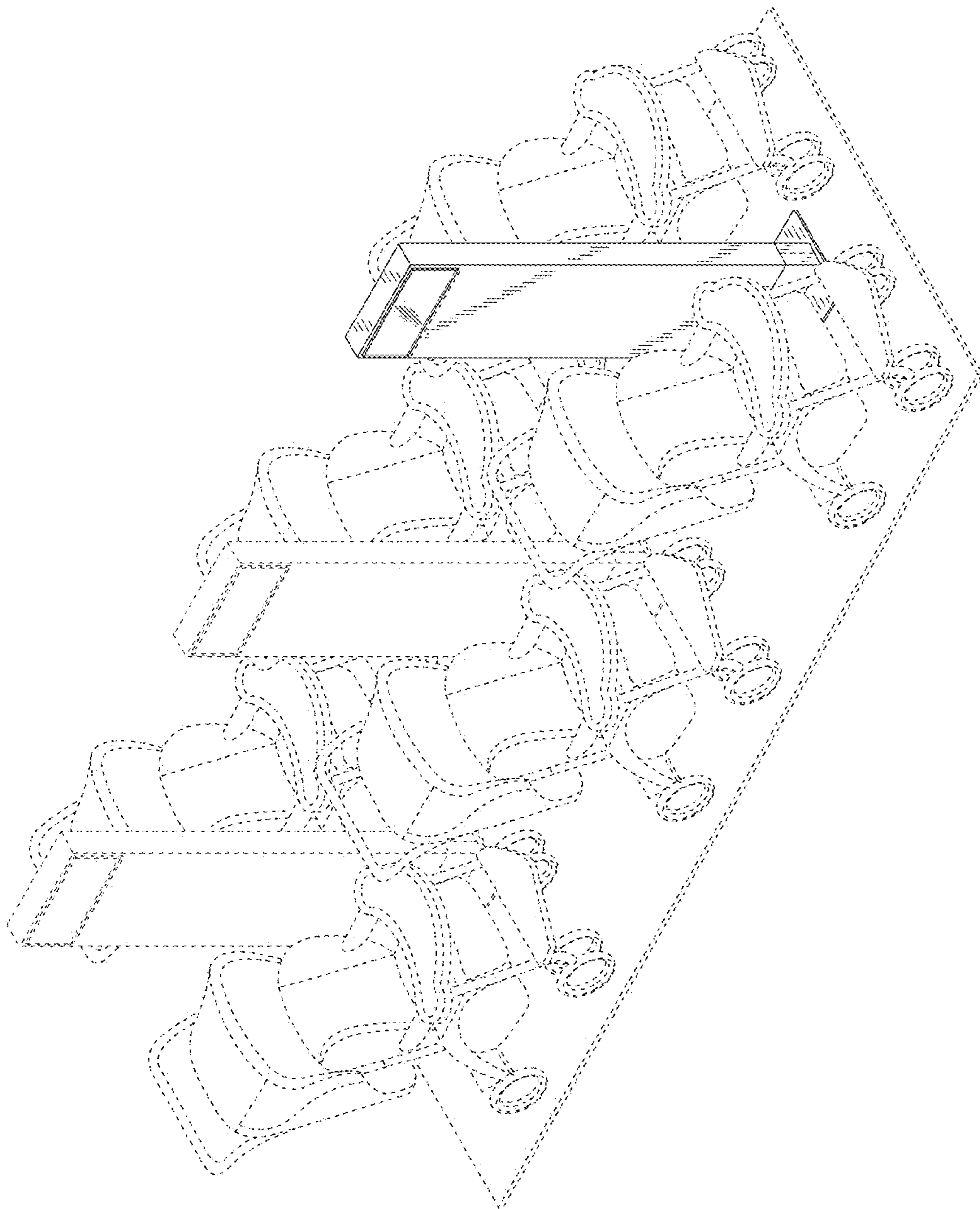


FIG. 10