



US00D742454S

(12) **United States Design Patent**
Morimoto

(10) **Patent No.:** **US D742,454 S**

(45) **Date of Patent:** **** Nov. 3, 2015**

(54) **MARKING PEN**

(56) **References Cited**

(71) Applicant: **KURETAKE CO., LTD.**, Nara (JP)

U.S. PATENT DOCUMENTS

(72) Inventor: **Makiko Morimoto**, Nara (JP)

1,942,283	A *	1/1934	Hale	15/105.51
2,217,439	A *	10/1940	Fuller	15/188
2,219,909	A *	10/1940	Schlicker	132/317
3,887,287	A *	6/1975	Rosh, Jr.	401/35
D276,479	S *	11/1984	Mori	D3/208
4,652,163	A *	3/1987	Karliner et al.	401/195
5,123,764	A *	6/1992	Duncan et al.	401/10
5,765,407	A *	6/1998	Choo et al.	68/214
7,886,898	B2 *	2/2011	Tsakiris	206/77.1
D669,530	S *	10/2012	Hung	D19/41
8,303,202	B1 *	11/2012	Garcia	401/52
2011/0286783	A1 *	11/2011	Harden	401/175
2012/0160261	A1 *	6/2012	Harden	132/311

(73) Assignee: **KURETAKE CO., LTD.**, Nara (JP)

(**) Term: **14 Years**

(21) Appl. No.: **29/492,955**

(22) Filed: **Jun. 4, 2014**

Related U.S. Application Data

(62) Division of application No. 29/447,209, filed on Mar. 1, 2013, now Pat. No. Des. 711,471.

* cited by examiner

Primary Examiner — Elizabeth Albert

(74) *Attorney, Agent, or Firm* — Andrew F. Young, Esq.; Lackenbach Siegel, LLP

(30) **Foreign Application Priority Data**

Nov. 15, 2012	(JP)	2012-027945
Nov. 15, 2012	(JP)	2012-027946
Nov. 15, 2012	(JP)	2012-027947

(57) **CLAIM**

The ornamental design for a marking pen, as shown and described.

(51) **LOC (10) Cl.** **19-06**

(52) **U.S. Cl.**
USPC **D19/200**

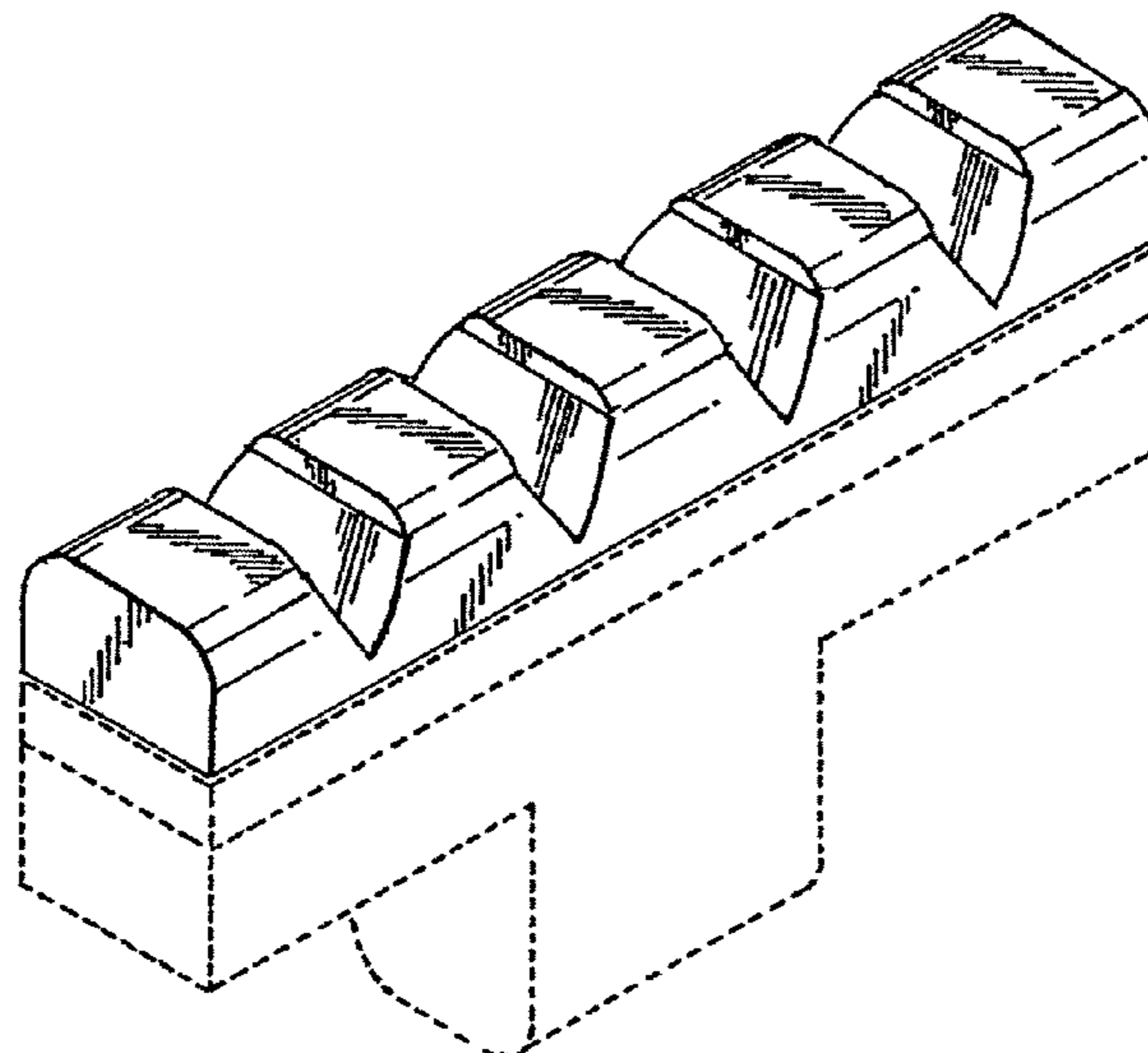
DESCRIPTION

(58) **Field of Classification Search**
USPC D14/411; D19/115–204; D26/34, 38
CPC B43K 5/005; B43K 7/00; B43K 7/01;
B43K 7/10; B43K 8/02; B43K 8/022; B43K
8/024; B43K 8/026; B43K 8/028; B43K 8/03;
B43K 11/00

FIG. 1 is a front perspective view of a marking pen showing my new design.
FIG. 2 is a front elevation view of FIG. 1, a back elevation view being a mirror image thereof.
FIG. 3 is a left side elevation view of FIG. 1, a right side elevation view being a mirror image thereof; and,
FIG. 4 is a top plan view of FIG. 1.
The broken lines in the drawings are included to show portions of the marking pen that form no part of the claimed design.

See application file for complete search history.

1 Claim, 1 Drawing Sheet



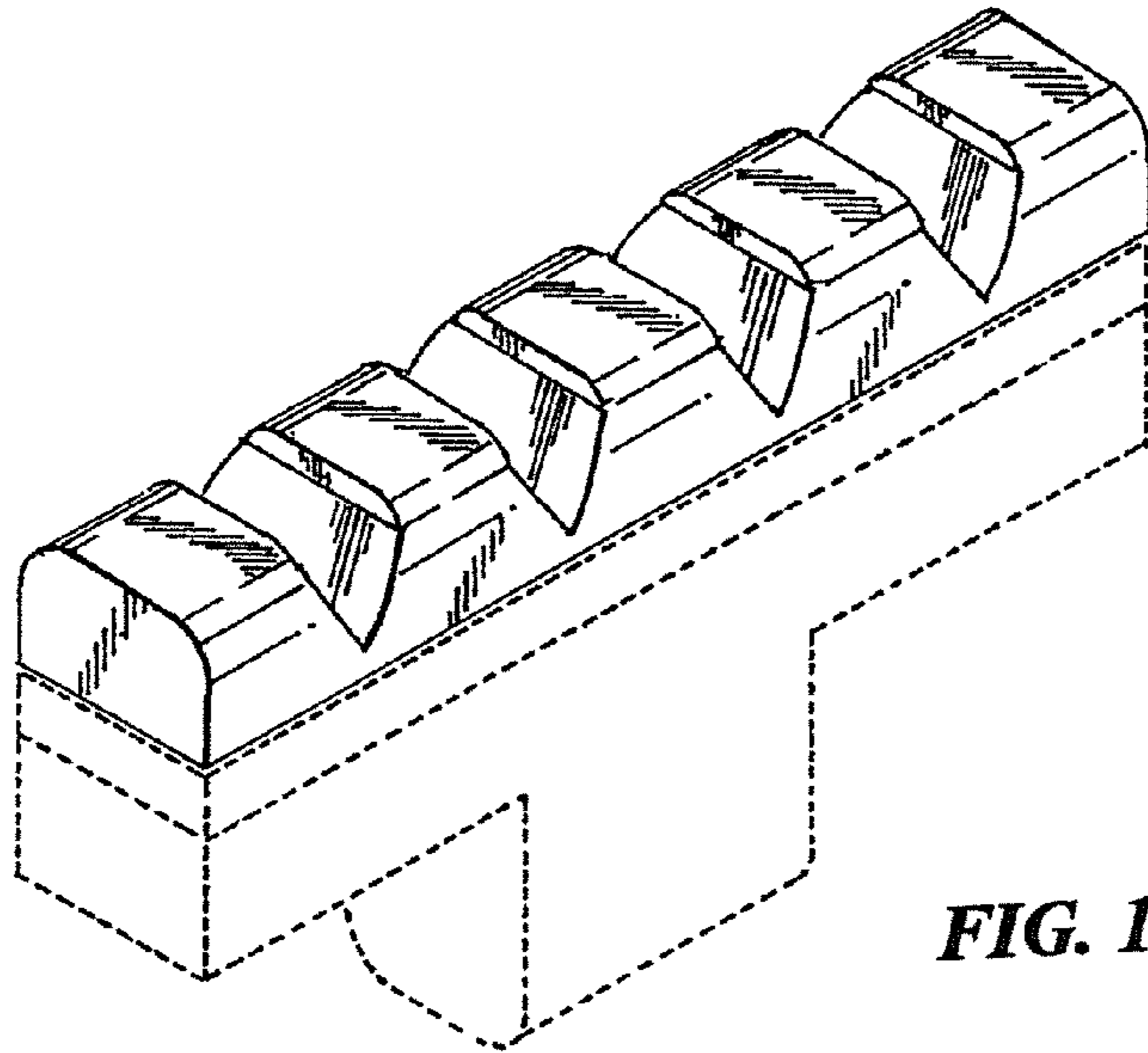


FIG. 1

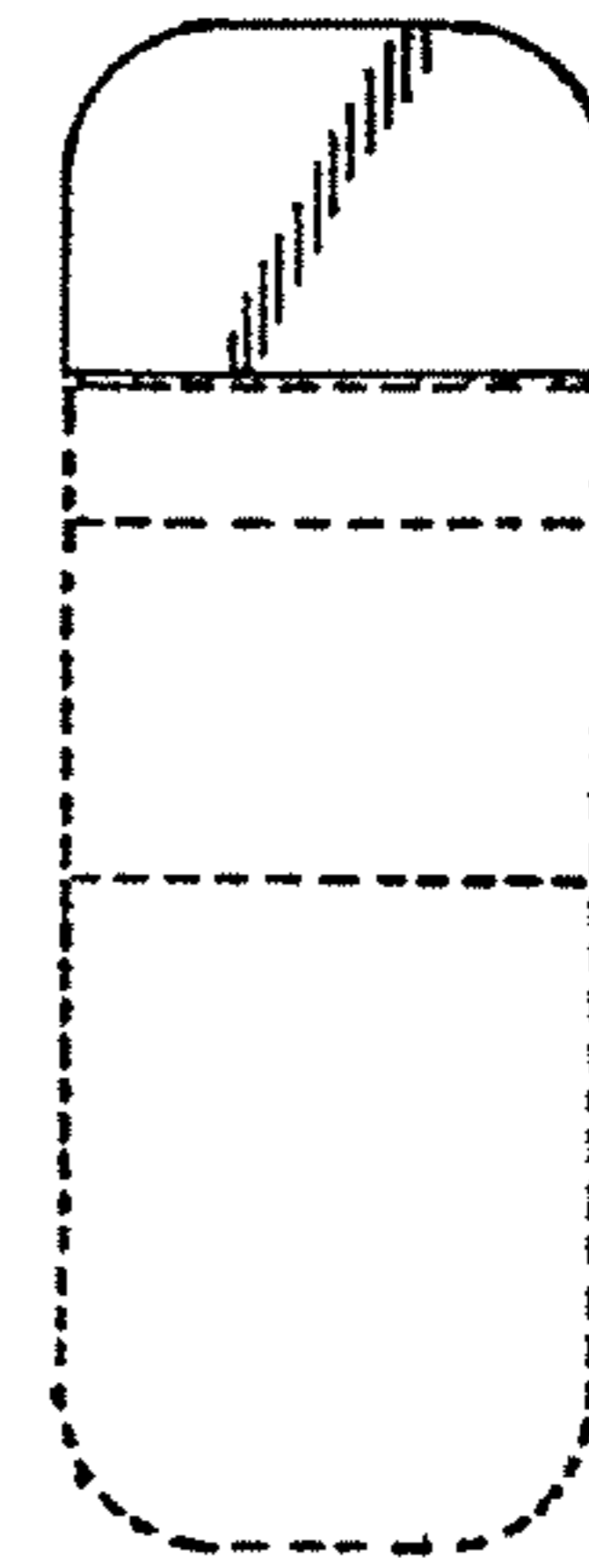


FIG. 3

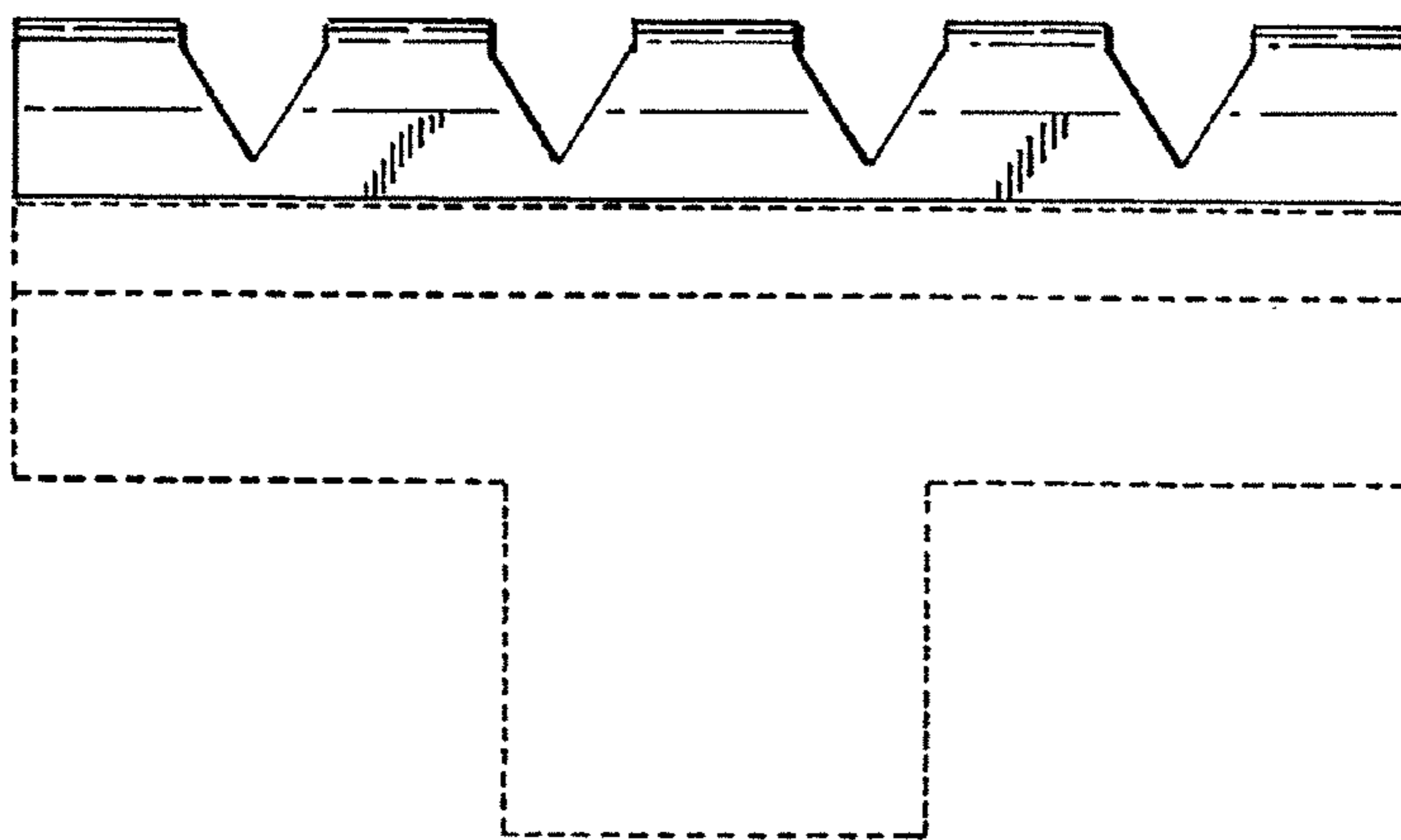


FIG. 2

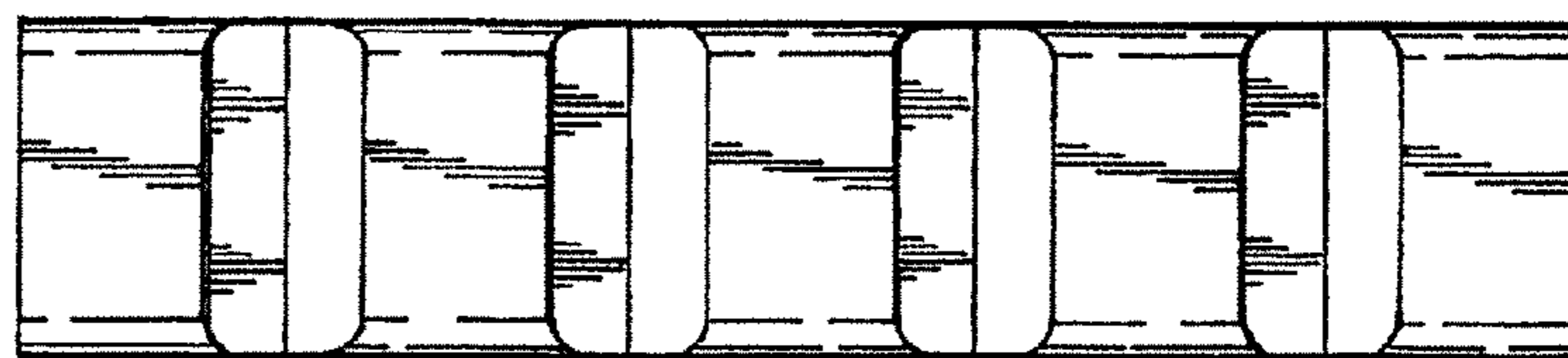


FIG. 4