



US00D742450S

(12) **United States Design Patent**
Larson et al.

(10) **Patent No.:** **US D742,450 S**
(45) **Date of Patent:** **** Nov. 3, 2015**

(54) **PRINTER**

- (71) Applicant: **Hewlett-Packard Development Company, L.P.**, Houston, TX (US)
- (72) Inventors: **David B. Larson**, Boise, ID (US);
Daniel Chien Cheng Huang, Boise, ID (US); **Akifumi Hirota**, Boise, ID (US)
- (73) Assignee: **HEWLETT-PACKARD DEVELOPMENT COMPANY, L.P.**, Houston, TX (US)
- (**) Term: **14 Years**

- (21) Appl. No.: **29/480,666**
- (22) Filed: **Jan. 28, 2014**
- (51) **LOC (10) Cl.** **14-02**
- (52) **U.S. Cl.**
USPC **D18/50**
- (58) **Field of Classification Search**
USPC D18/6-7, 14, 19, 50, 54.1, 54, 55;
D14/420-426, 462-470; 400/613,
400/613.1-613.4, 690.1-690.4, 691-694
See application file for complete search history.

(56) **References Cited**

U.S. PATENT DOCUMENTS

D716,373 S	*	10/2014	Lo et al.	D18/55
D718,383 S	*	11/2014	Lo et al.	D18/55
D720,398 S	*	12/2014	Lo et al.	D18/55

OTHER PUBLICATIONS

Hewlett-Packard Development Company, L.P., "HP Officejet Pro X451dn Printer," Jan. 2013, 2 pages.
Hewlett-Packard Development Company, L.P., "HP Officejet Pro X476dn Multifunction Printer," Jan. 2013, 2 pages.
Hewlett-Packard Development Company, L.P., "HP Officejet Pro X551dw Printer," Jan. 2013, 2 pages.

* cited by examiner

Primary Examiner — Cathy Anne MacCormac

(74) *Attorney, Agent, or Firm* — Hanley Flight & Zimmerman, LLC

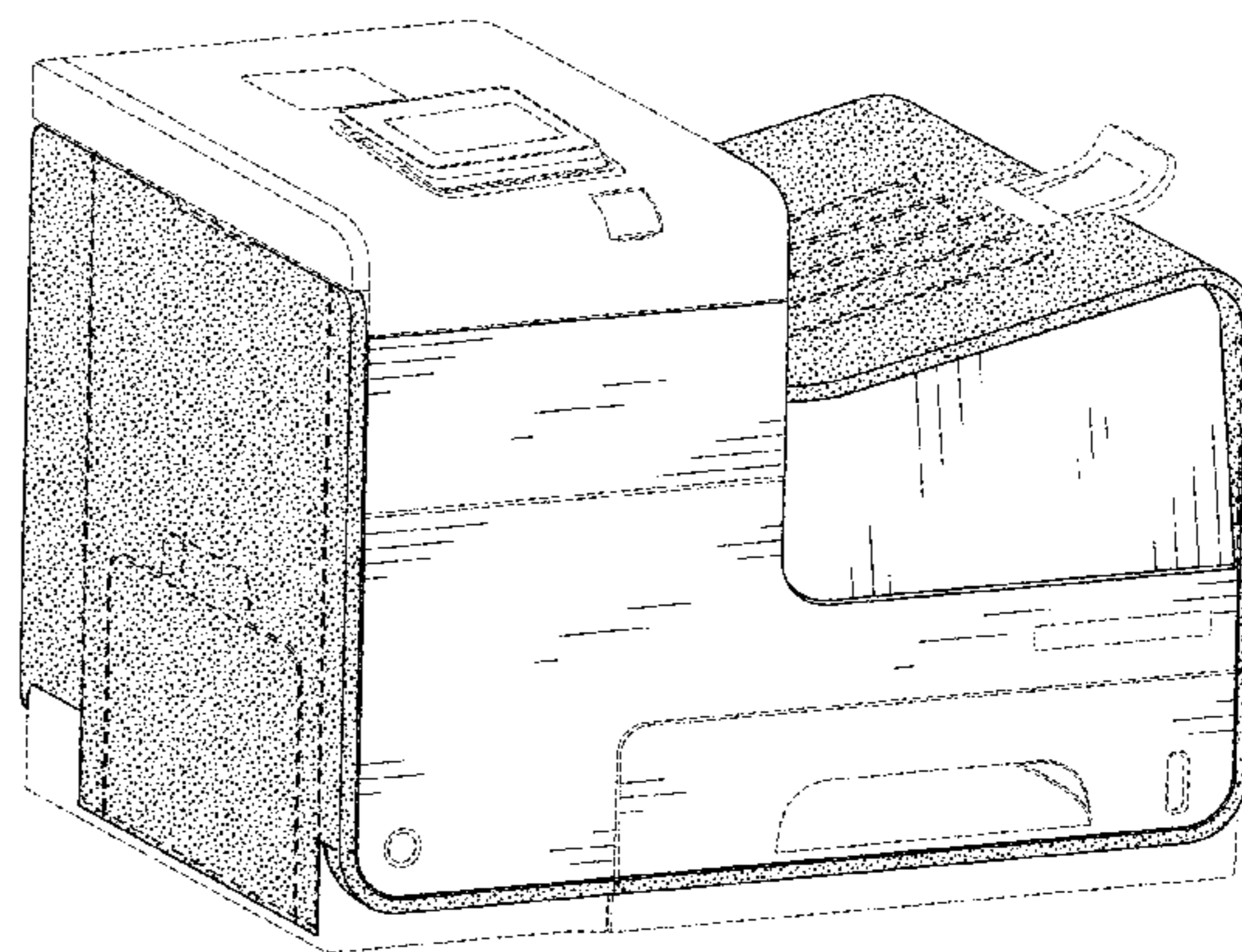
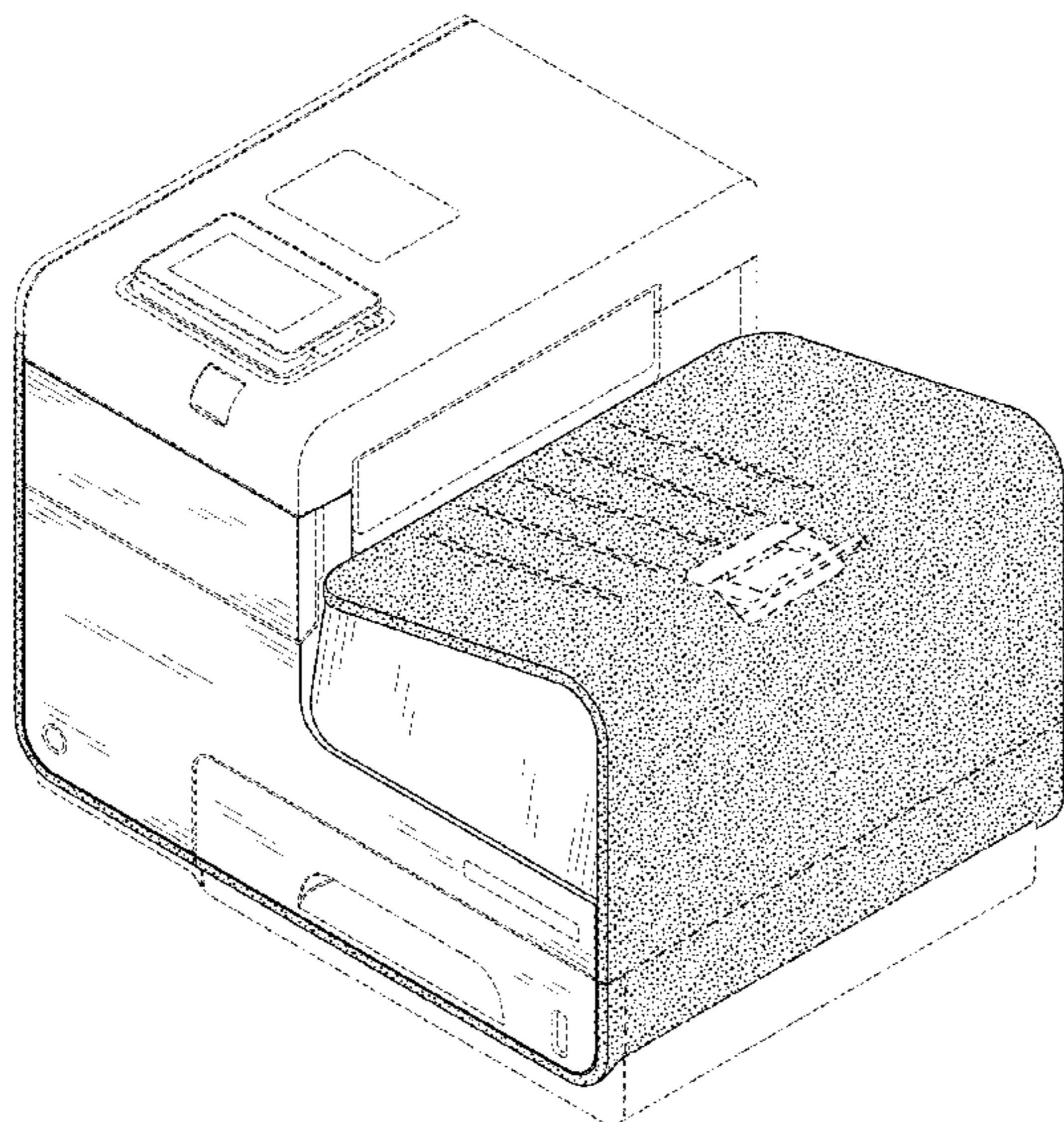
(57) **CLAIM**

The ornamental design for a "printer," as shown and described.

DESCRIPTION

FIG. 1 is a top, front, right side perspective view of a printer;
FIG. 2 is a front view thereof;
FIG. 3 is a back view thereof;
FIG. 4 is a left side view thereof;
FIG. 5 is a right side view thereof;
FIG. 6 is a top view thereof; and,
FIG. 7 is a top, front, left side perspective view thereof.
The stippling shows a contrast in appearance. The stippled shading is part of the claimed design.
The features shown in broken lines do not form part of the claimed design.

1 Claim, 7 Drawing Sheets



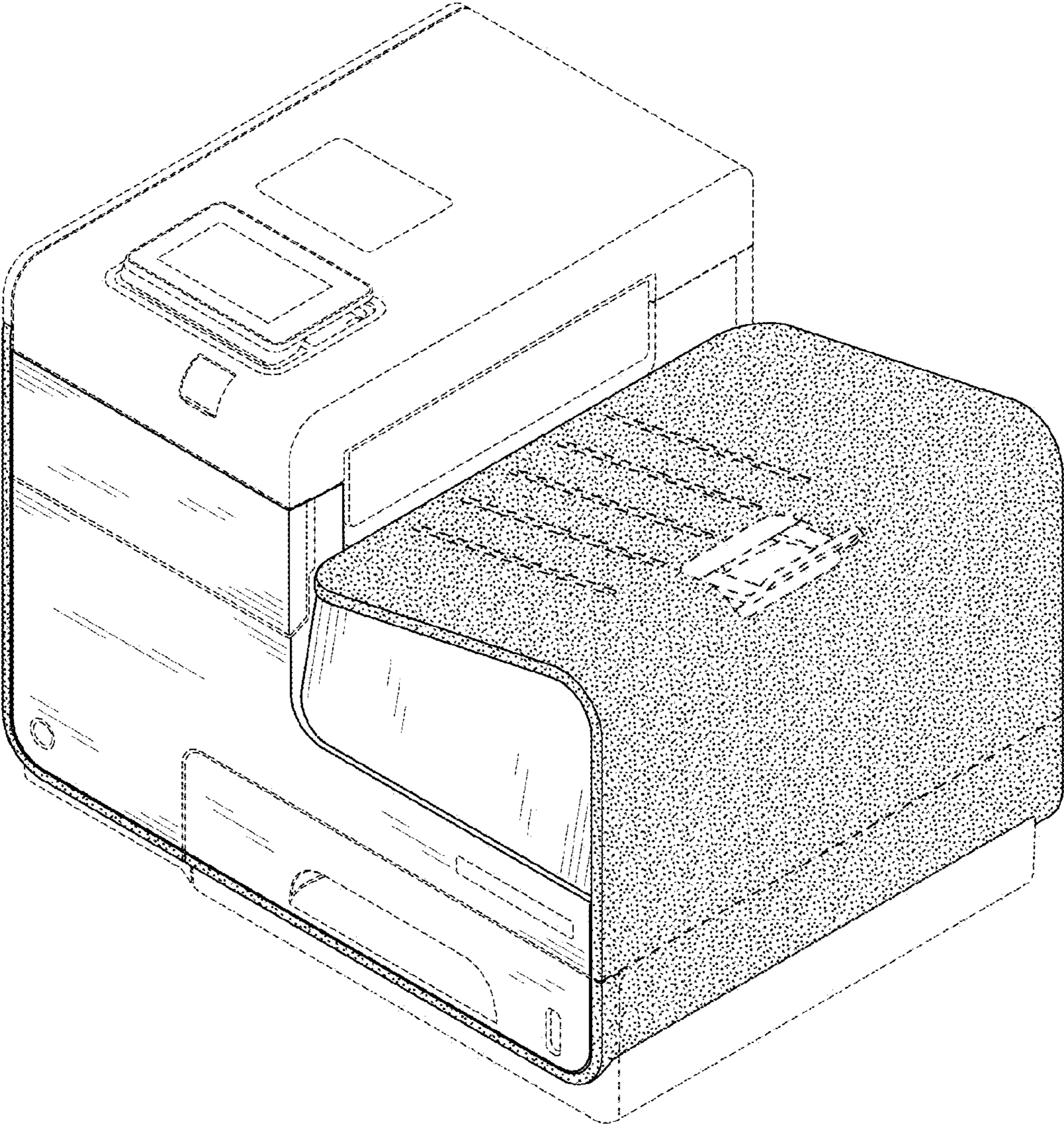


FIG. 1

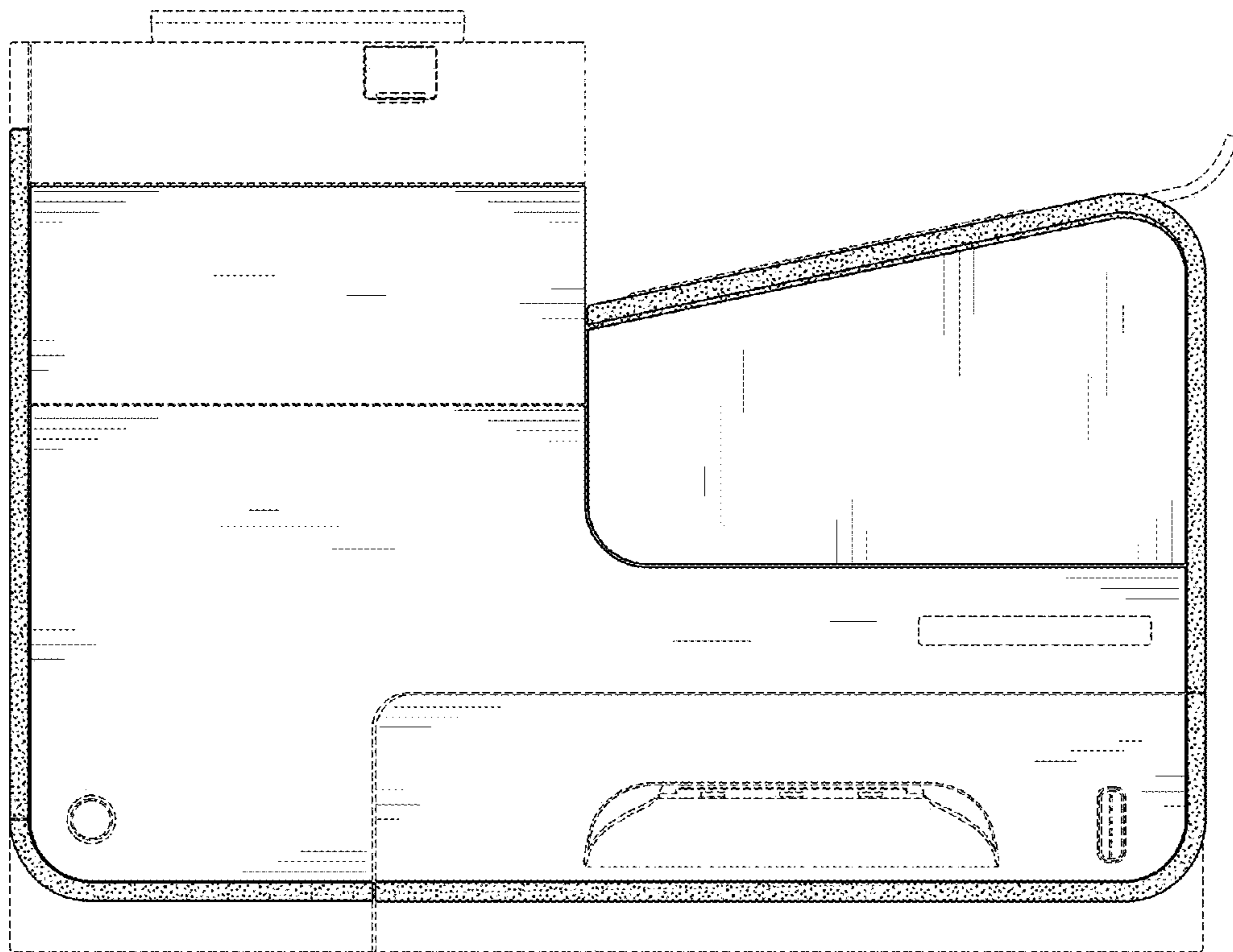


FIG. 2

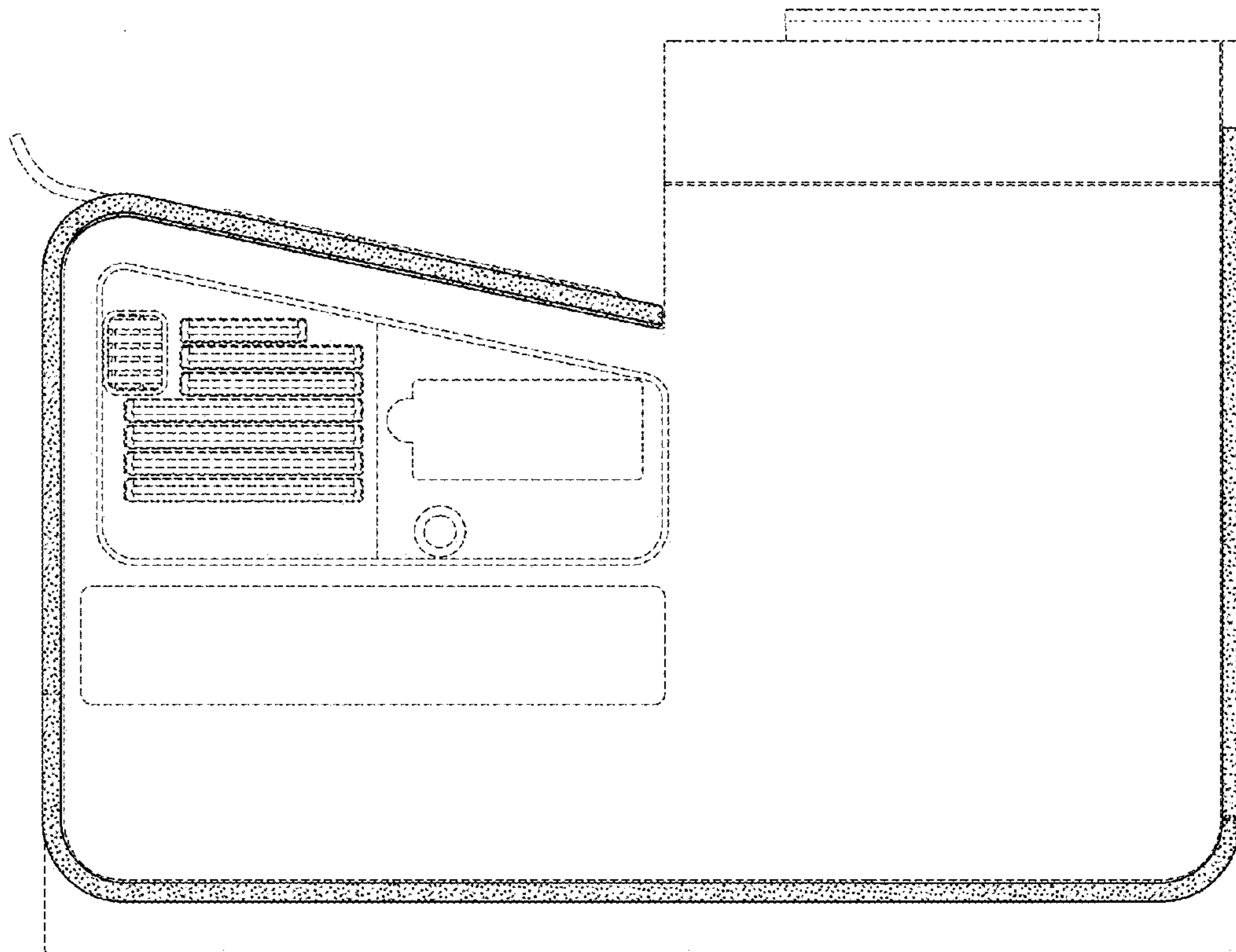


FIG. 3

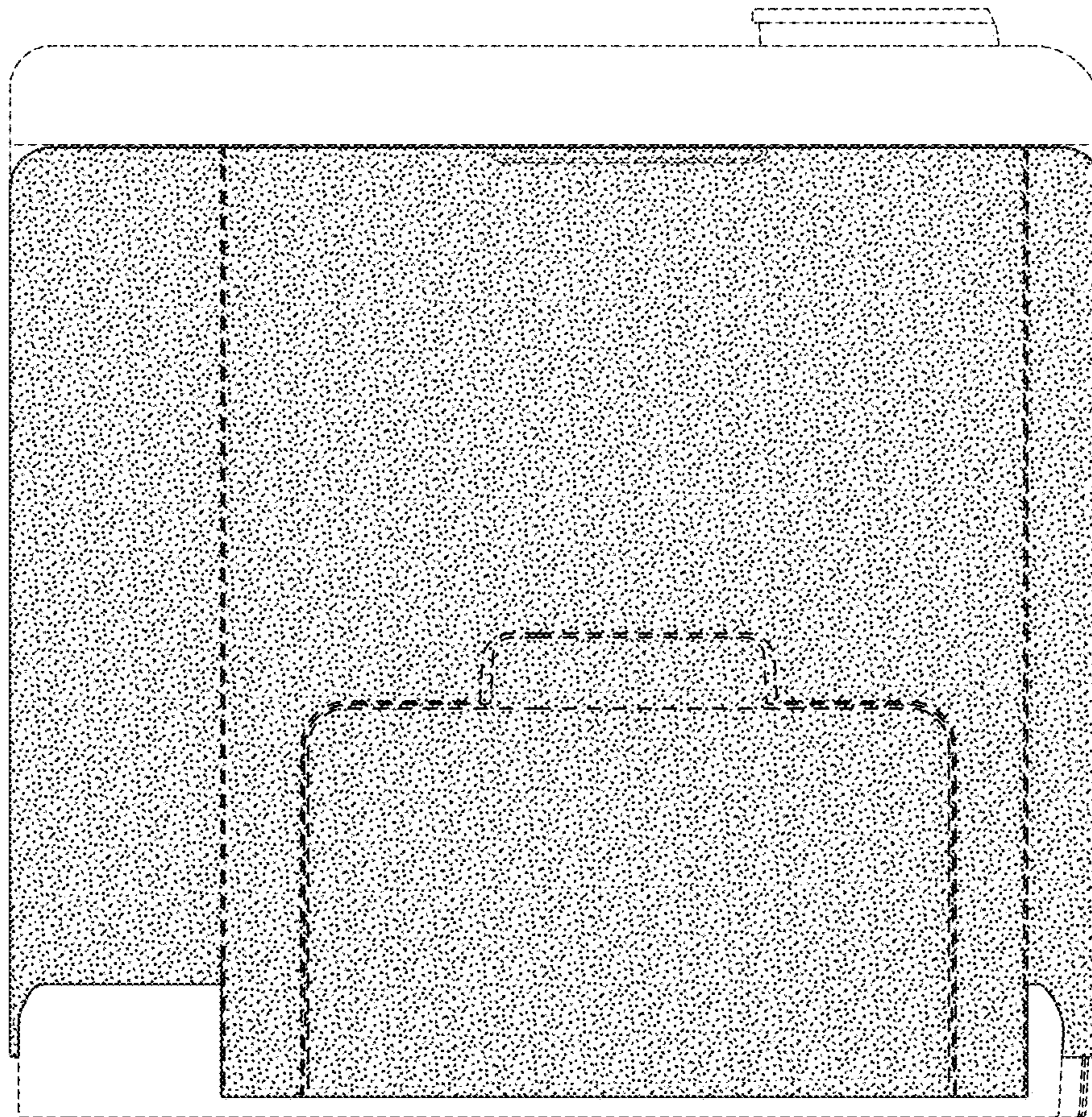


FIG. 4

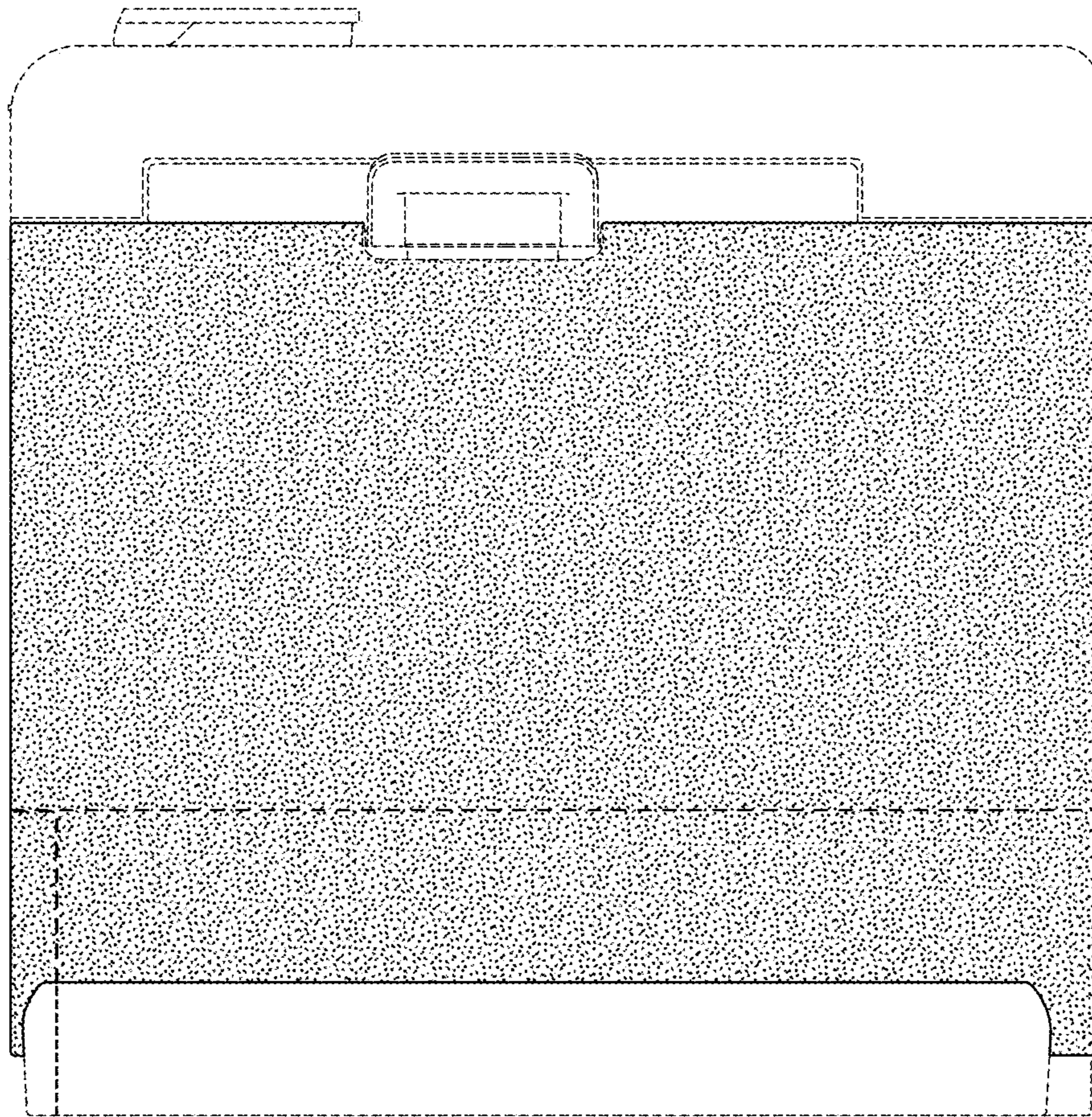


FIG. 5

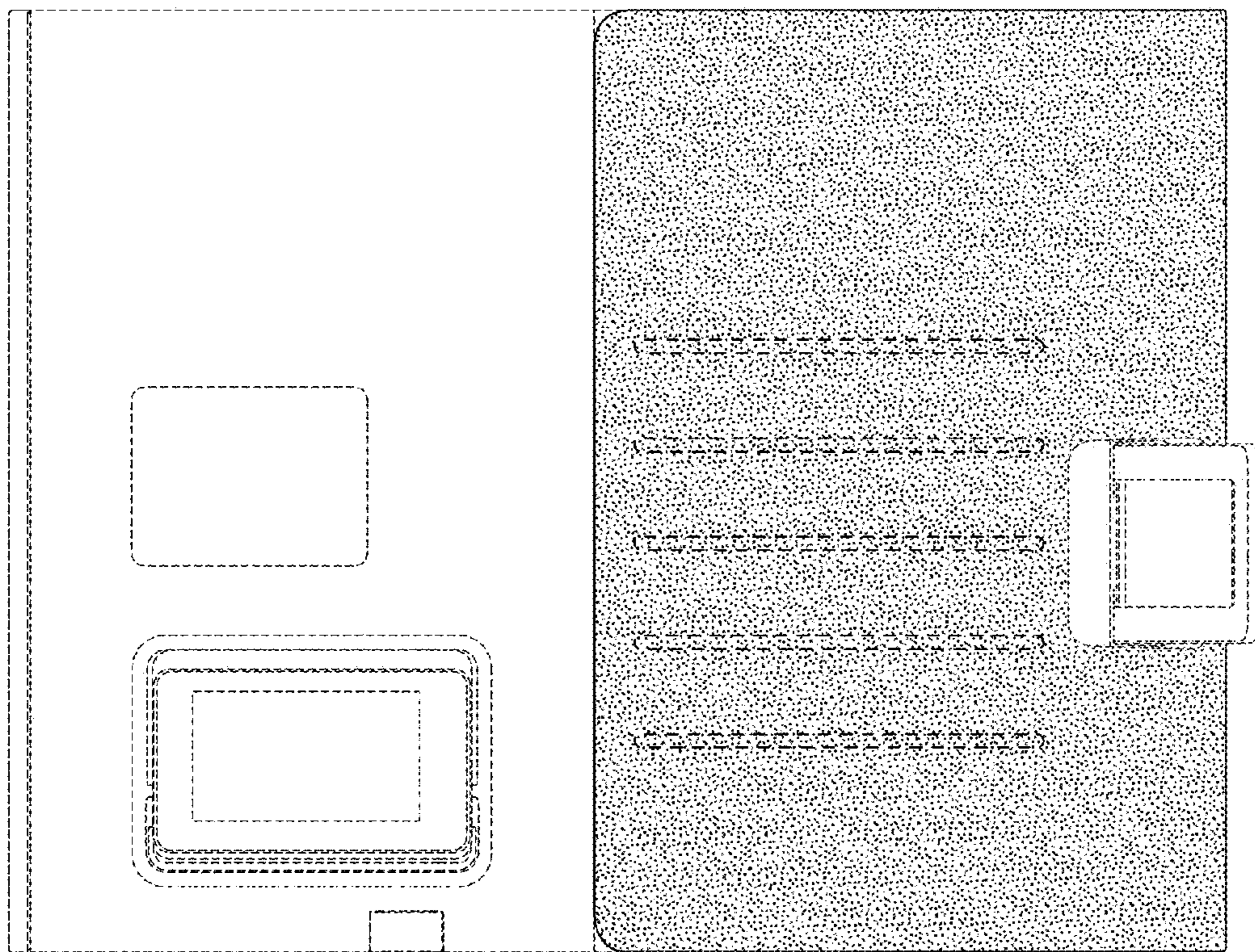


FIG. 6

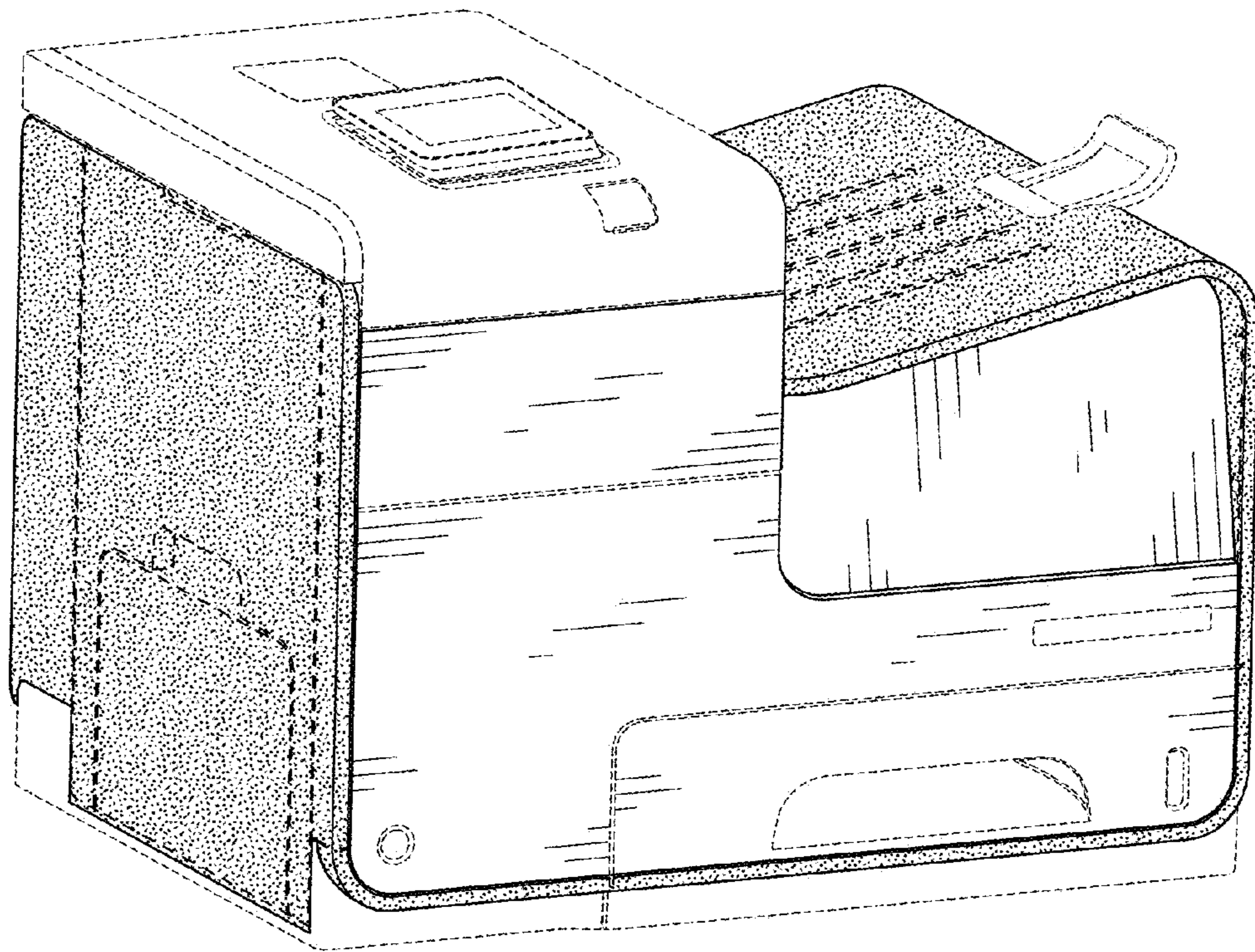


FIG. 7