



US00D742447S

(12) **United States Design Patent**
Stark et al.

(10) **Patent No.:** **US D742,447 S**
(45) **Date of Patent:** **** Nov. 3, 2015**

(54) **TRIM RING WITH DOME**

(71) Applicant: **Avigilon Corporation**, Vancouver (CA)

(72) Inventors: **Andrew J. Stark**, Vancouver (CA);
Sudeep Mohan, Vancouver (CA)

(73) Assignee: **AVIGILON CORPORATION**,
Vancouver (CA)

(**) Term: **14 Years**

(21) Appl. No.: **29/496,399**

(22) Filed: **Jul. 11, 2014**

(51) **LOC (10) Cl.** **16-01**

(52) **U.S. Cl.**
USPC **D16/203**

(58) **Field of Classification Search**
USPC D16/200–205, 208, 219, 237; 348/143,
348/159, 373–376; 396/26–28, 419, 427,
396/439, 535–543

See application file for complete search history.

(56) **References Cited**

U.S. PATENT DOCUMENTS

5,818,519	A	10/1998	Wren	
D412,924	S *	8/1999	Hiraguchi	D16/219
6,234,691	B1	5/2001	Jones et al.	
D449,630	S *	10/2001	Rak et al.	D16/203
6,476,856	B1	11/2002	Zantos	
D473,888	S *	4/2003	Jones et al.	D16/203
6,678,001	B1	1/2004	Elberbaum	
6,742,942	B2	6/2004	Hering et al.	
D497,927	S *	11/2004	Arbuckle et al.	D16/203

(Continued)

FOREIGN PATENT DOCUMENTS

EP	1096452	B1	5/2001
EP	2077538	A1	7/2009

OTHER PUBLICATIONS

“Assembly Instruction”; Axis Communications; AXIS M50 Series Dome Cover; Ver. 1.0; Part No. 46106; Apr. 2012; 9 pages.

(Continued)

Primary Examiner — Susan Bennett Hattan

Assistant Examiner — Leanne Was

(74) *Attorney, Agent, or Firm* — Baker & Hostetler LLP

(57) **CLAIM**

The ornamental design for a trim ring with dome, as shown and described.

DESCRIPTION

FIG. 1 is a perspective view of a trim ring with dome, wherein the broken lines illustrate environment structure that is not part of the design;

FIG. 2 is a left side elevation view of the trim ring with dome of FIG. 1, wherein the broken lines illustrate environment structure that is not part of the design;

FIG. 3 is a bottom plan view of the trim ring with dome of FIG. 1;

FIG. 4 is a front elevation view of the trim ring with dome of FIG. 1, wherein the broken lines illustrate environment structure that is not part of the design;

FIG. 5 is a rear elevation view of the trim ring with dome of FIG. 1, wherein the broken lines illustrate environment structure that is not part of the design;

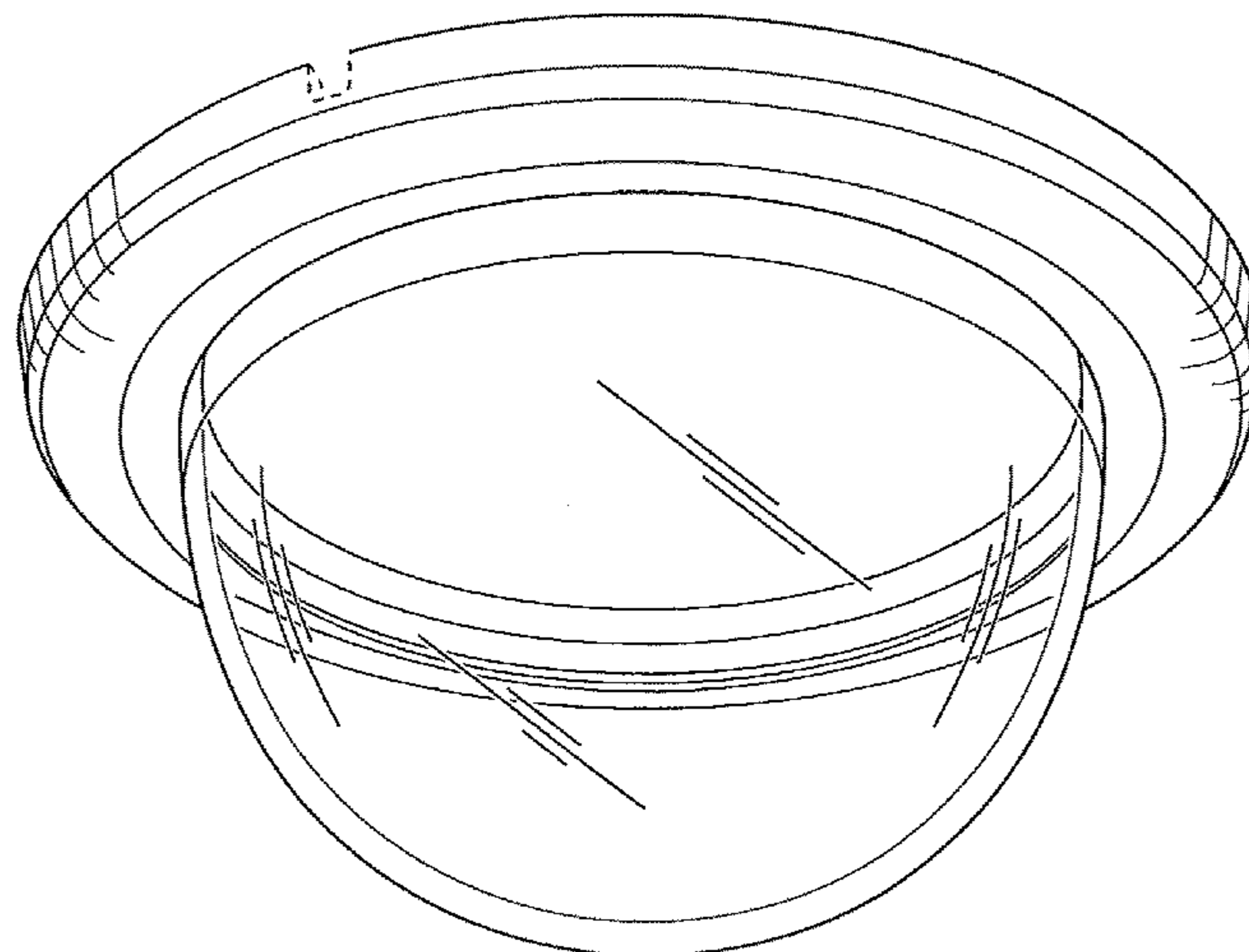
FIG. 6 is a top plan view of the trim ring with dome of FIG. 1, wherein the broken lines illustrate environment structure that is not part of the design;

FIG. 7 is a right side elevation view of the trim ring with dome of FIG. 1, wherein the broken lines illustrate environment structure that is not part of the design; and,

FIG. 8 is a perspective view of the trim ring with dome of FIG. 1, wherein the broken lines illustrate environment structure associated with a gimbal, gimbal shroud and camera within the dome that is not part of the design.

The design is the visual features of a trim ring with dome shown in solid lines in the drawings.

1 Claim, 5 Drawing Sheets



(56)

References Cited

U.S. PATENT DOCUMENTS

6,896,423	B2	5/2005	Arbuckle et al.	
6,992,723	B1	1/2006	Wulf et al.	
D568,361	S *	5/2008	Arnold et al.	D16/203
7,651,281	B2	1/2010	Wen	
D636,805	S *	4/2011	Anneback et al.	D16/203
D639,843	S *	6/2011	Zeinoun et al.	D16/203
D655,328	S *	3/2012	Anneback et al.	D16/219
8,148,635	B1	4/2012	Gretz	
D668,701	S *	10/2012	Ohno et al.	D16/219
D725,172	S *	3/2015	Katori et al.	D16/203
2004/0057717	A1	3/2004	Arbuckle et al.	
2010/0060731	A1 *	3/2010	Lin et al.	348/143
2011/0096164	A1 *	4/2011	Mori et al.	348/143
2013/0063938	A1 *	3/2013	Ma et al.	362/235
2013/0136436	A1 *	5/2013	Yoshino et al.	396/25
2014/0037283	A1	2/2014	Cury	
2014/0333774	A1 *	11/2014	Hsu	348/159

OTHER PUBLICATIONS

“18x/28x/36x WDR PTZ Dome Camera”; Dahua Technology Co. Ltd.; DH-SD6563E/65E/66E-H Specifications; 2013; 5 pages.

“Avigilon High Definition IP Dome Camera Indoor In-Ceiling Mount.”; Avigilon; Installation Guide; Sep. 26, 2011; 31 pages.

“H34S-IC In-Ceiling Mount Quick Installation Guide”; Honeywell; 2014; 4 pages.

“HD3DS(X) HD3HRS(X) Indoor Minidome Camera Quick Installation Guide”; Honeywell; 2013; 2 pages.

“HD5 Fixed Dome Camera Quick Install Guide” Honeywell; 2009; 2 pages.

“AXIS P5544 PTZ Dome Network Camera”; Axis Communications; Ver. 1.1; Part No. 47249; May 2012; 100 pages.

“IS20/IS21 Series Camclosure 2 Integrated Camera System”; Pelco by Schneider Electric; 2010; 28 pages.

* cited by examiner

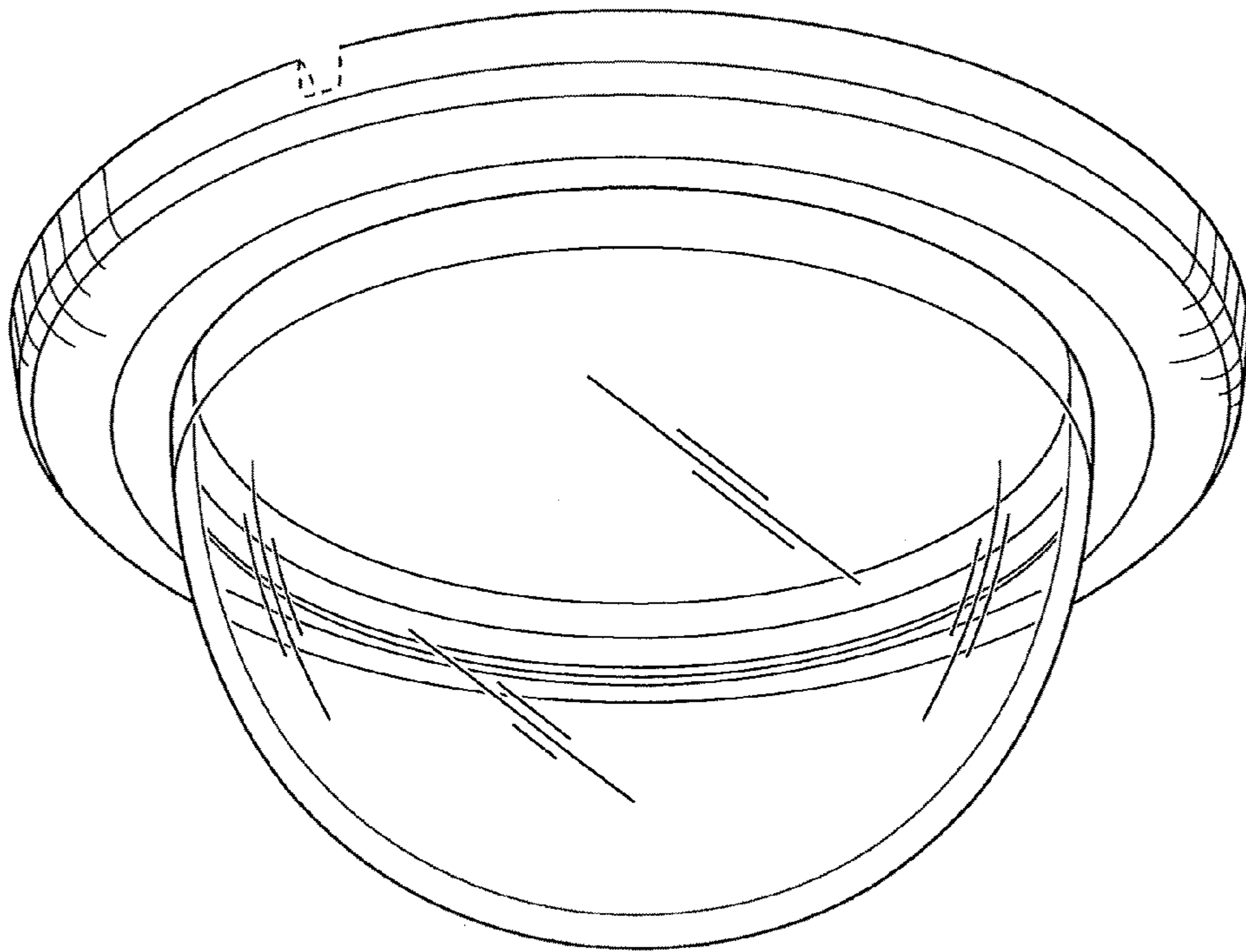


FIG. 1

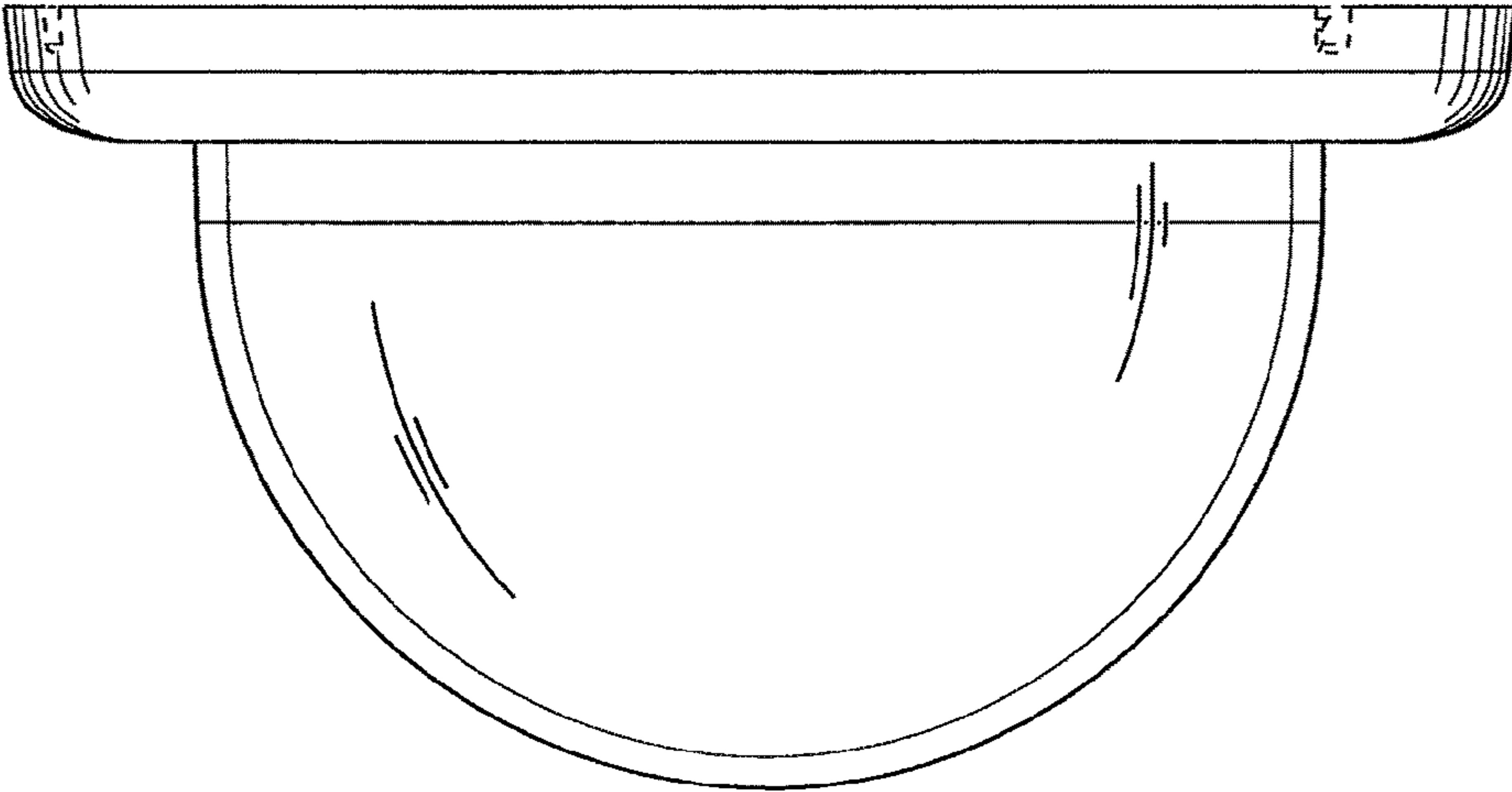


FIG. 2

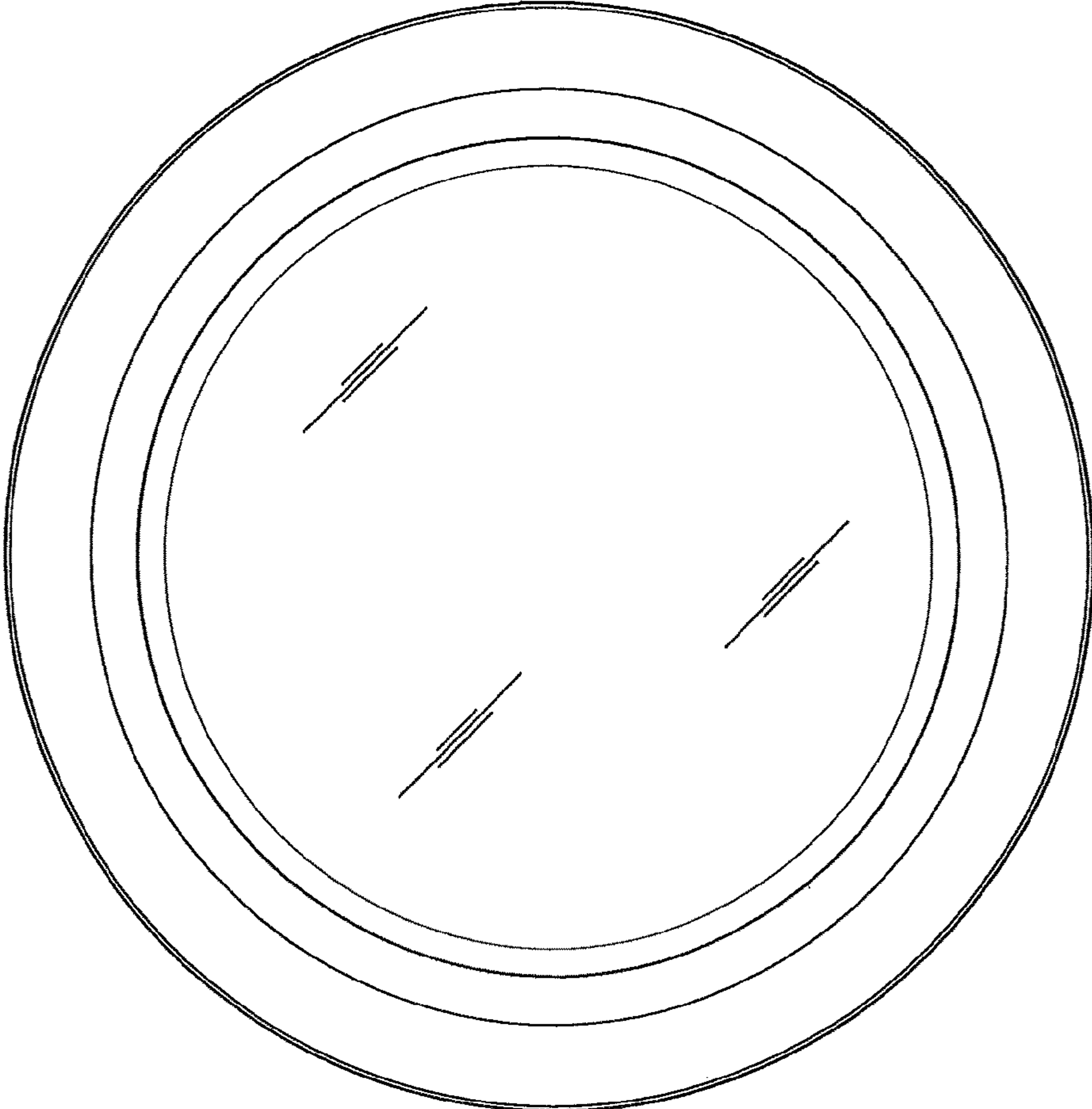


FIG. 3

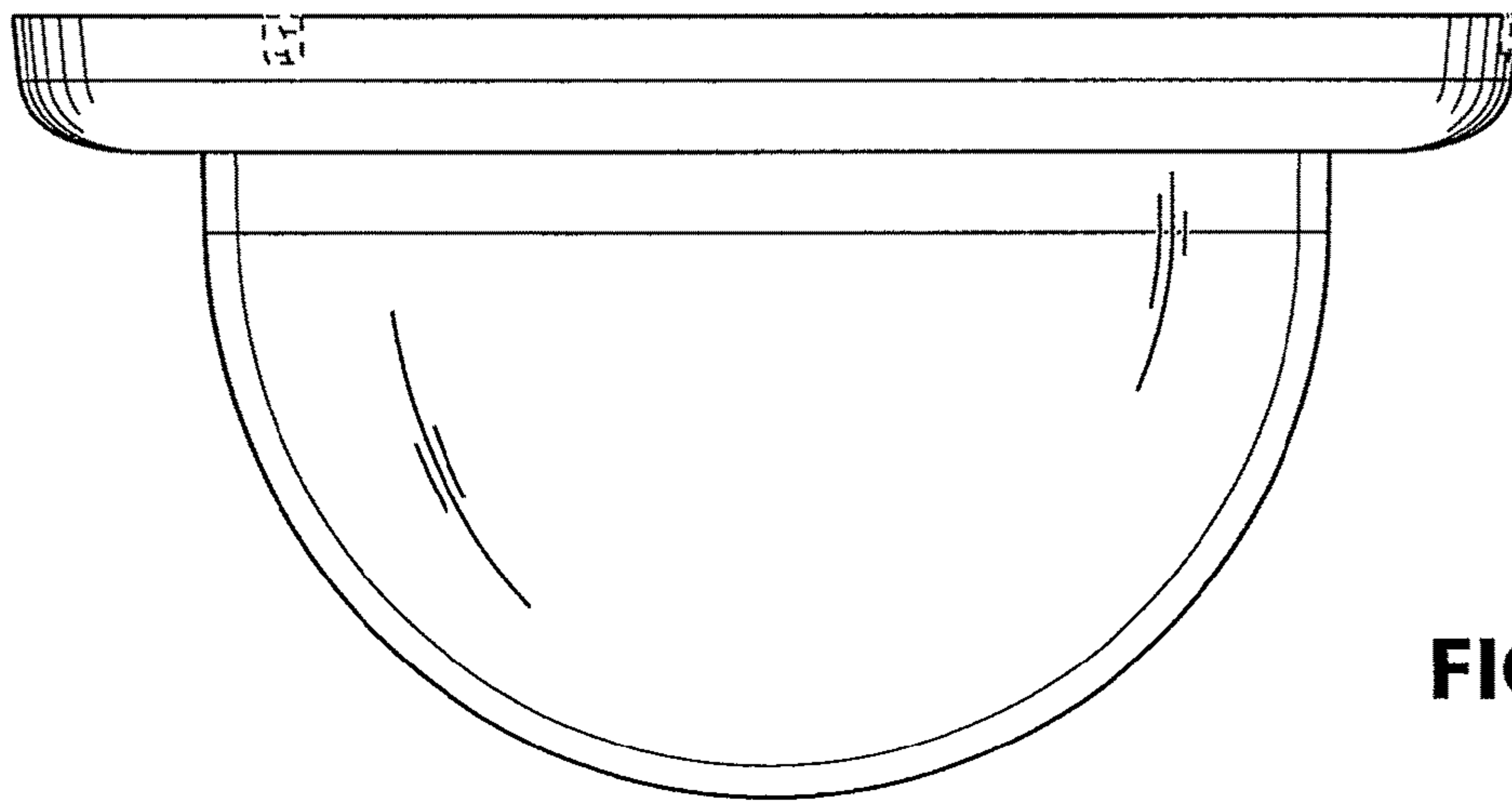


FIG. 4

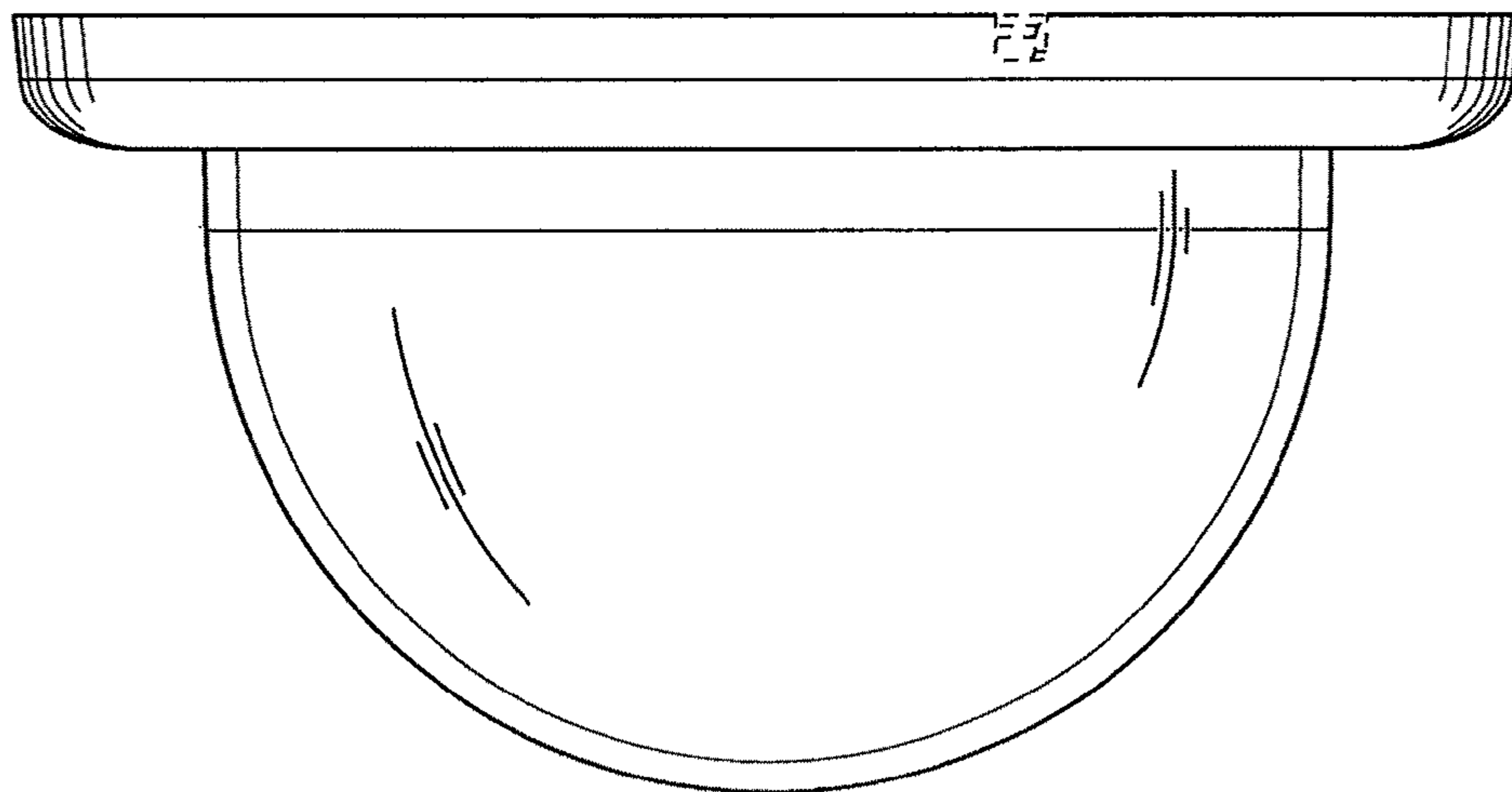


FIG. 5

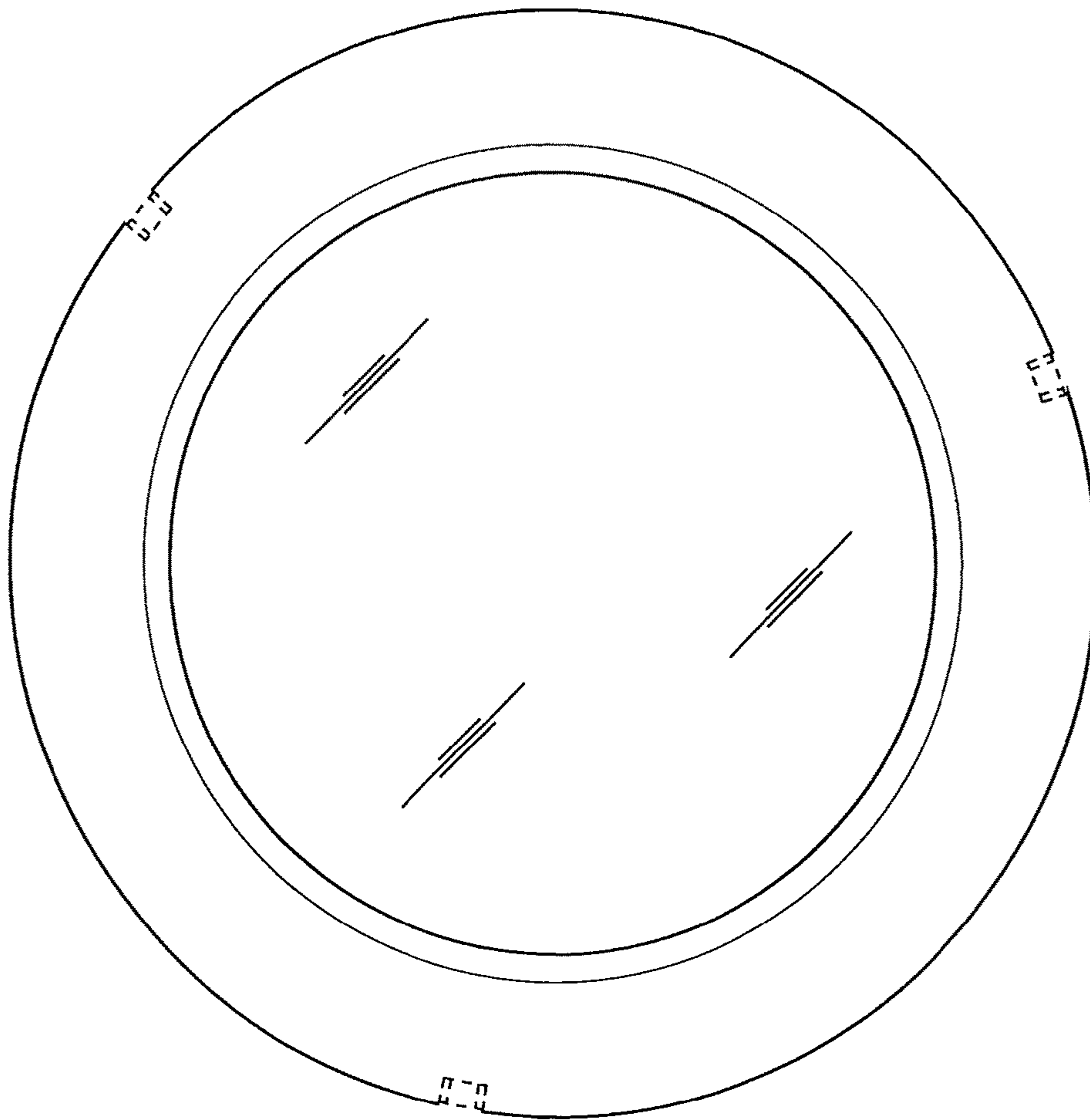


FIG. 6

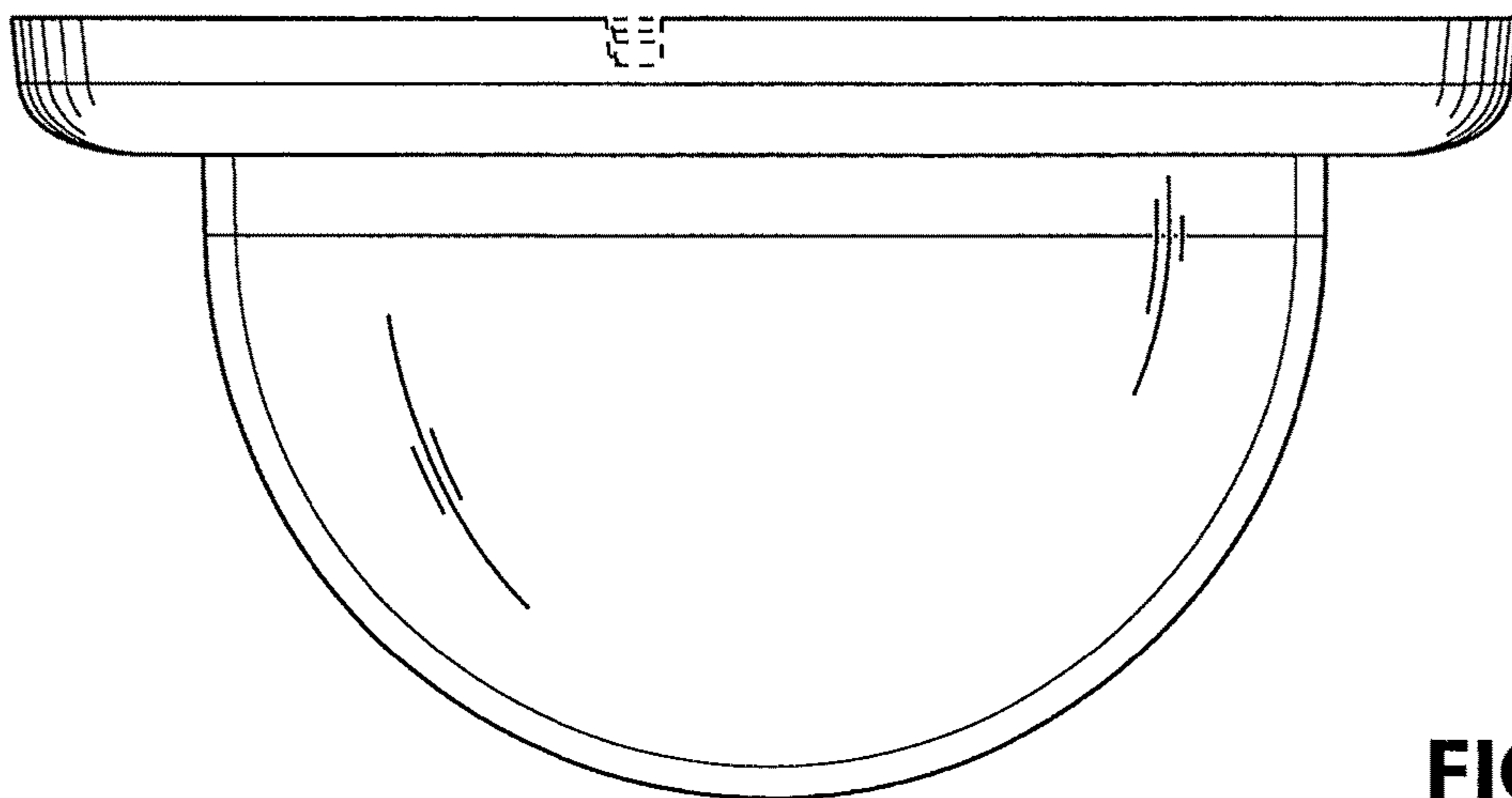


FIG. 7

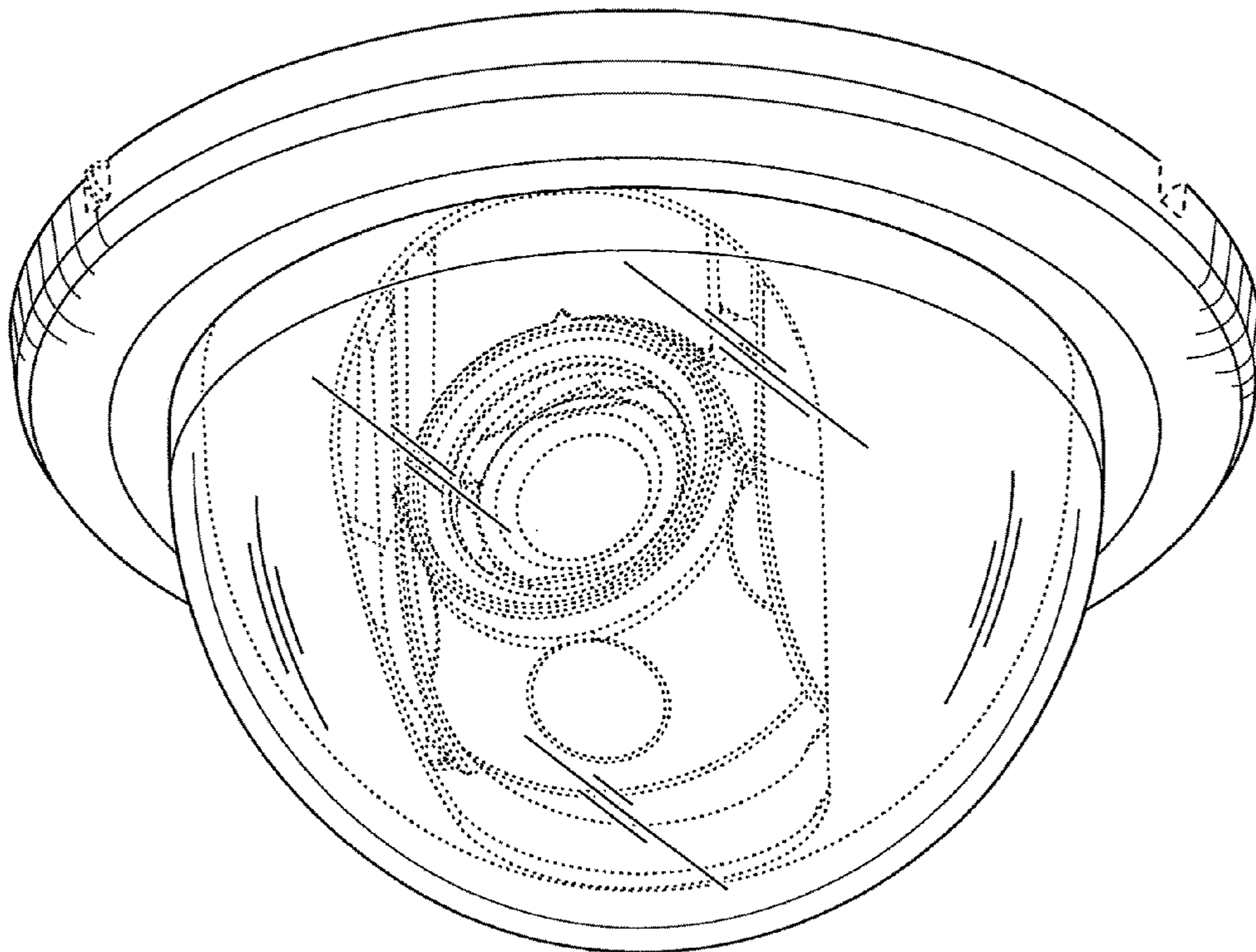


FIG. 8