

US00D742446S

(12) **United States Design Patent**  
**Ikeda et al.**

(10) **Patent No.:** **US D742,446 S**  
(45) **Date of Patent:** **\*\* Nov. 3, 2015**

(54) **VIDEO CAMERA**

(56) **References Cited**

(71) Applicant: **Hitachi Industry & Control Solutions, Ltd.**, Hitachi (JP)

U.S. PATENT DOCUMENTS

(72) Inventors: **Shintaro Ikeda**, Hitachi (JP); **Junichi Uragami**, Hitachi (JP)

D430,587 S *	9/2000	Summit	.....	D16/202
D536,719 S *	2/2007	Lukic et al.	.....	D16/202
D562,868 S *	2/2008	Cho et al.	.....	D16/202
D565,621 S *	4/2008	Yamane et al.	.....	D16/203
7,473,040 B2 *	1/2009	Kenoyer et al.	.....	396/428
D636,421 S *	4/2011	Sagen et al.	.....	D16/202
D656,531 S *	3/2012	Ahn et al.	.....	D16/202
D658,221 S *	4/2012	Bailey et al.	.....	D16/202

(73) Assignee: **HITACHI INDUSTRY & CONTROL SOLUTIONS, LTD.**, Ibaraki (JP)

(\*\*) Term: **14 Years**

\* cited by examiner

(21) Appl. No.: **29/502,381**

*Primary Examiner* — Adir Aronovich

(22) Filed: **Sep. 16, 2014**

(74) *Attorney, Agent, or Firm* — Baker Botts L.L.P.

(30) **Foreign Application Priority Data**

(57) **CLAIM**

We claim the ornamental design for a video camera, as shown.

Mar. 17, 2014 (JP) ..... 2014-005592

**DESCRIPTION**

(51) **LOC (10) Cl.** ..... **16-01**

FIG. 1 is a front, top and right side perspective view of a video camera showing our new design;

(52) **U.S. Cl.**

USPC ..... **D16/202**; D16/242

FIG. 2 is a front elevational view thereof;

(58) **Field of Classification Search**

USPC ..... D16/200, 202, 203, 208, 218, 242;  
248/187.1; 348/373-376; 396/427,  
396/428, 535-541

FIG. 3 is a rear elevational view thereof;

FIG. 4 is a left side elevational view thereof;

FIG. 5 is a right side elevational view thereof;

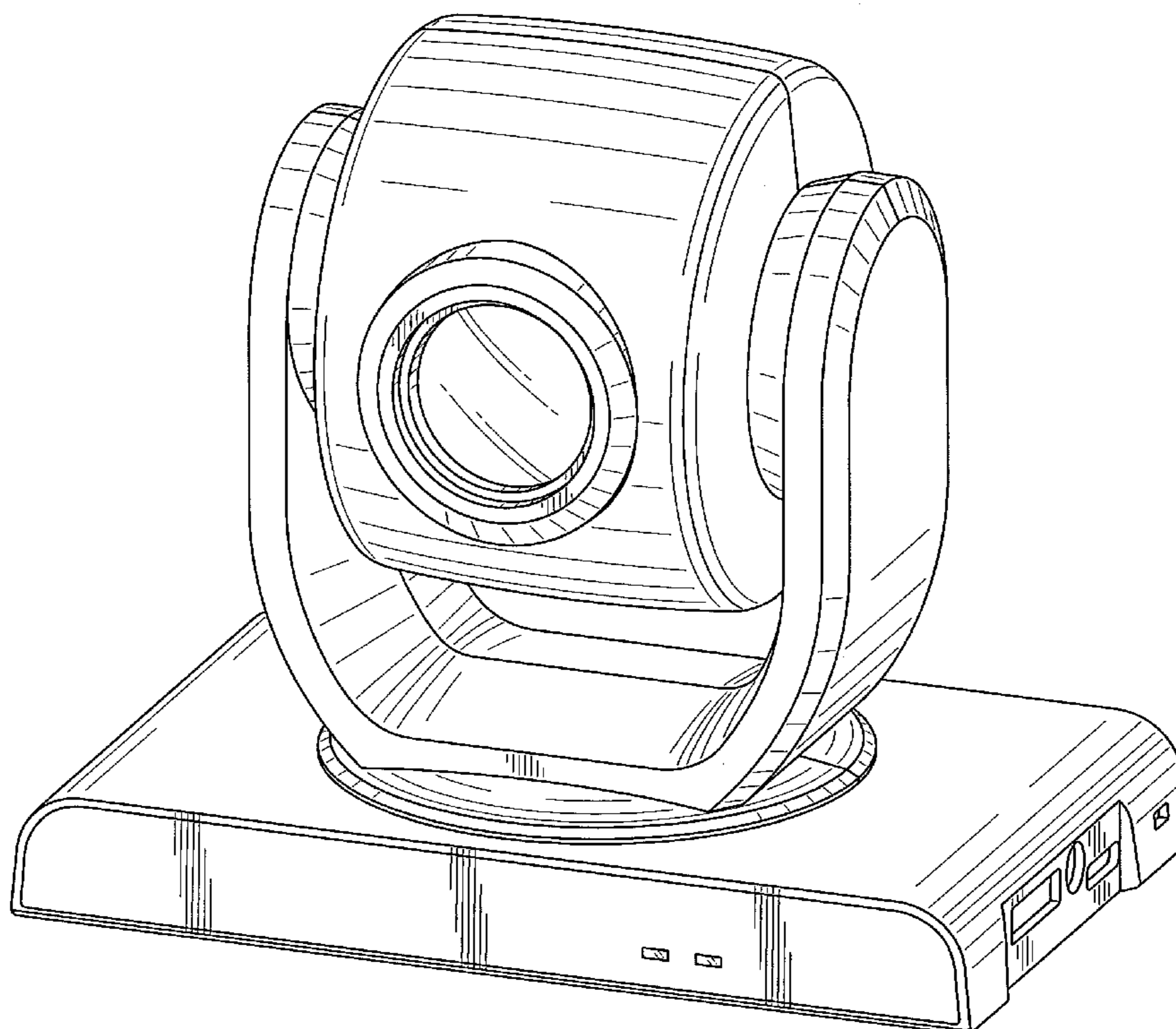
FIG. 6 is a top plan view thereof; and,

FIG. 7 is a bottom plan view thereof.

CPC . H04N 5/2251; H04N 5/2252; H04N 5/2253;  
H04N 2101/00

See application file for complete search history.

**1 Claim, 5 Drawing Sheets**



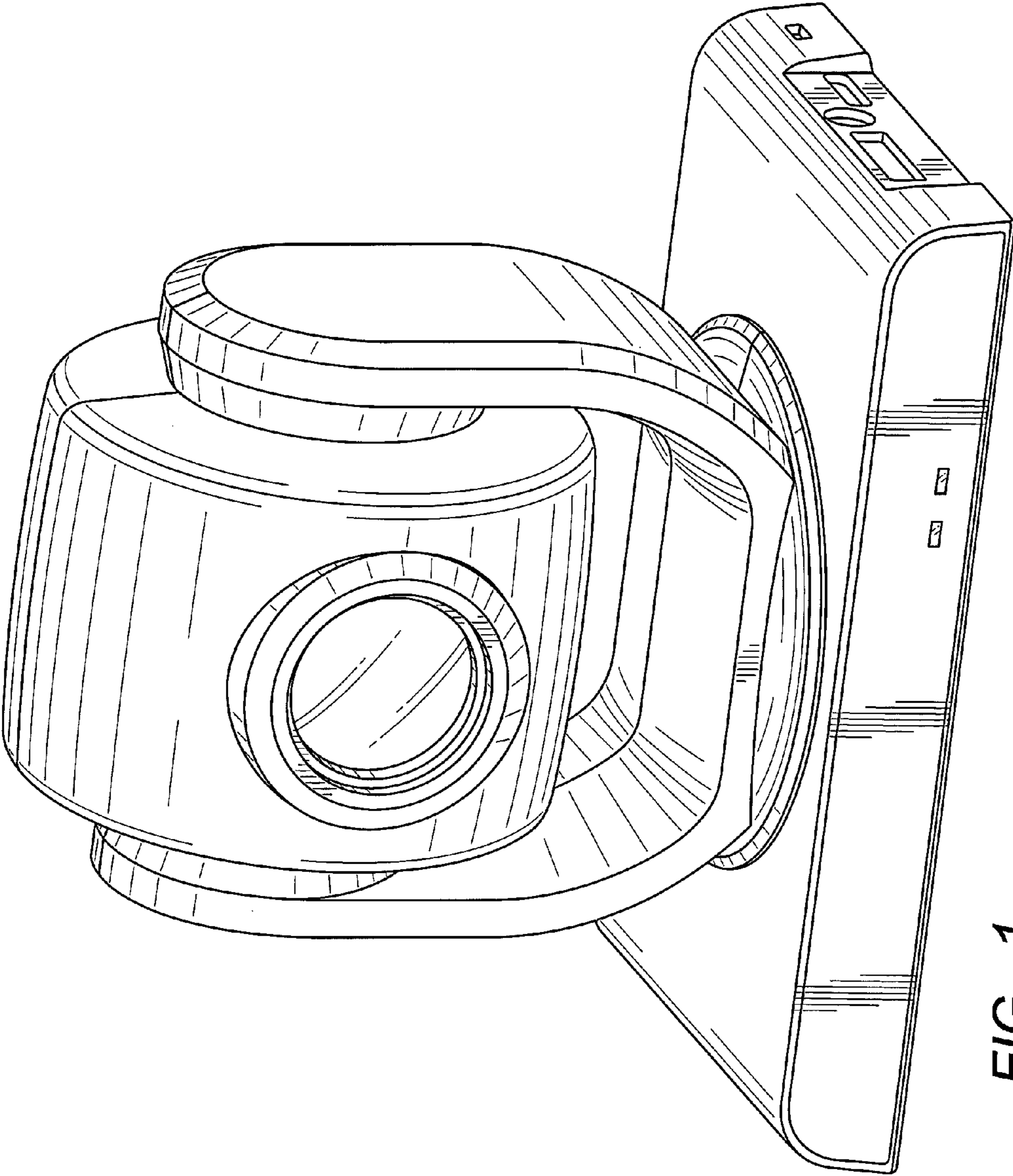


FIG. 1

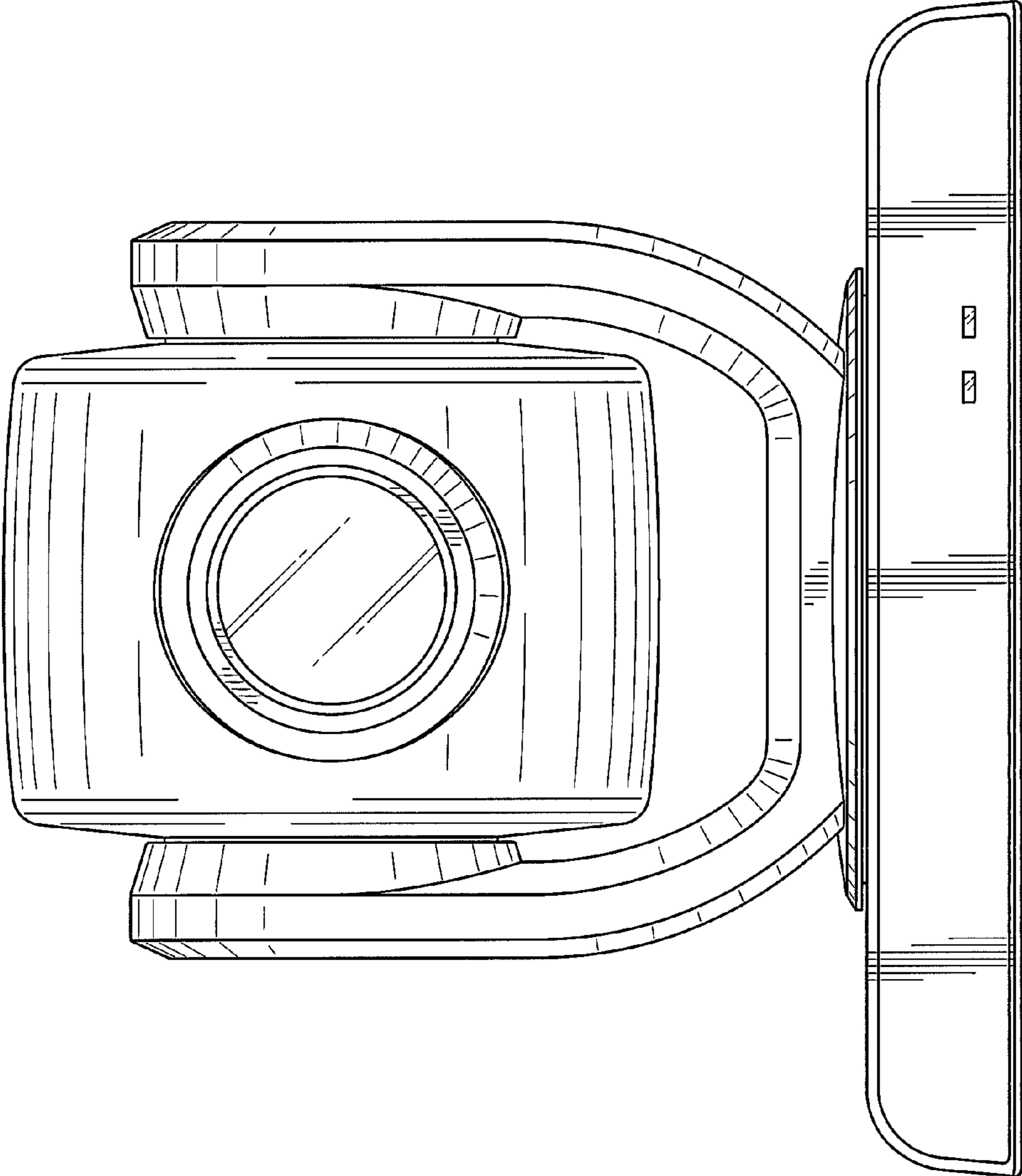


FIG. 2

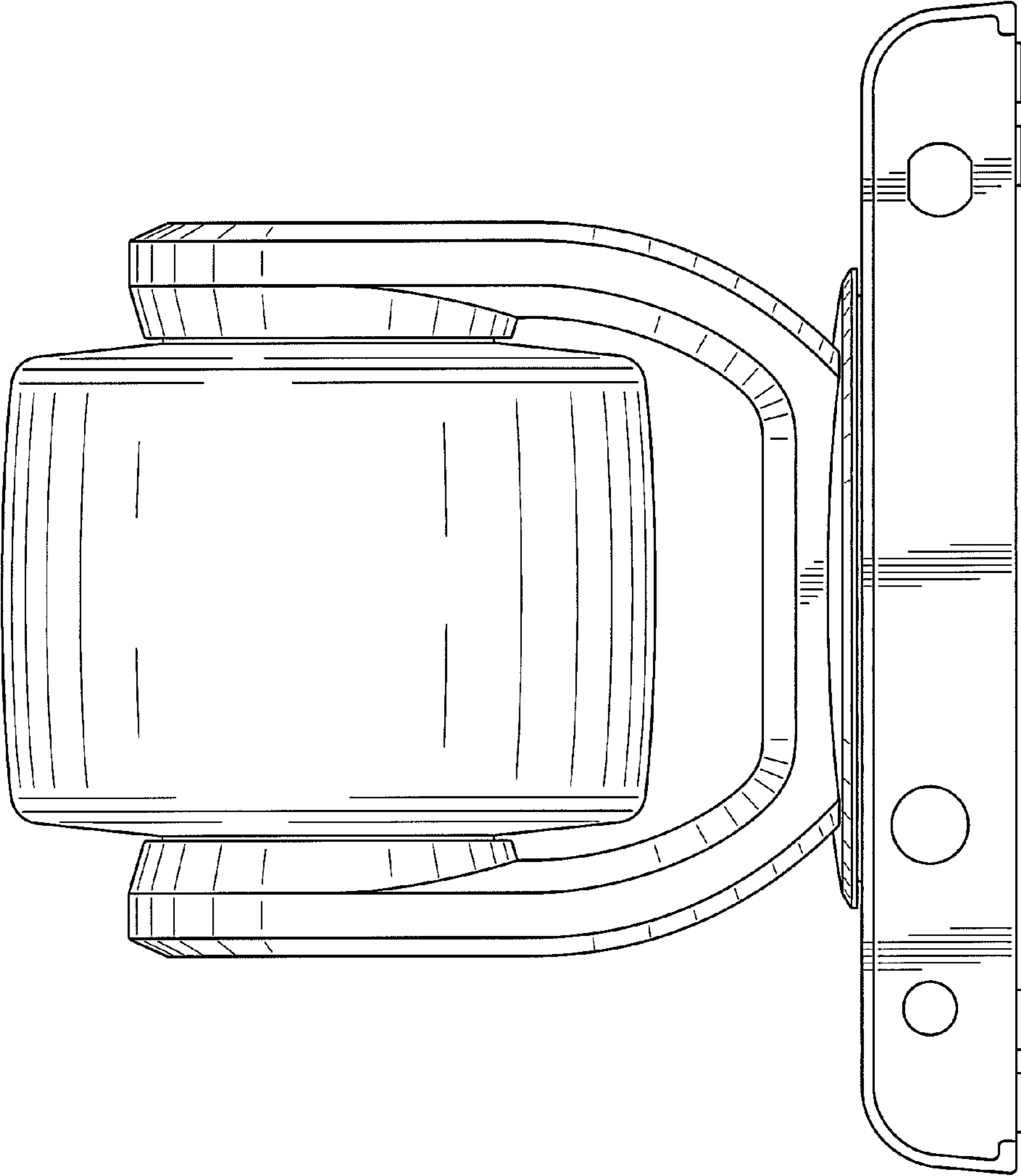


FIG. 3

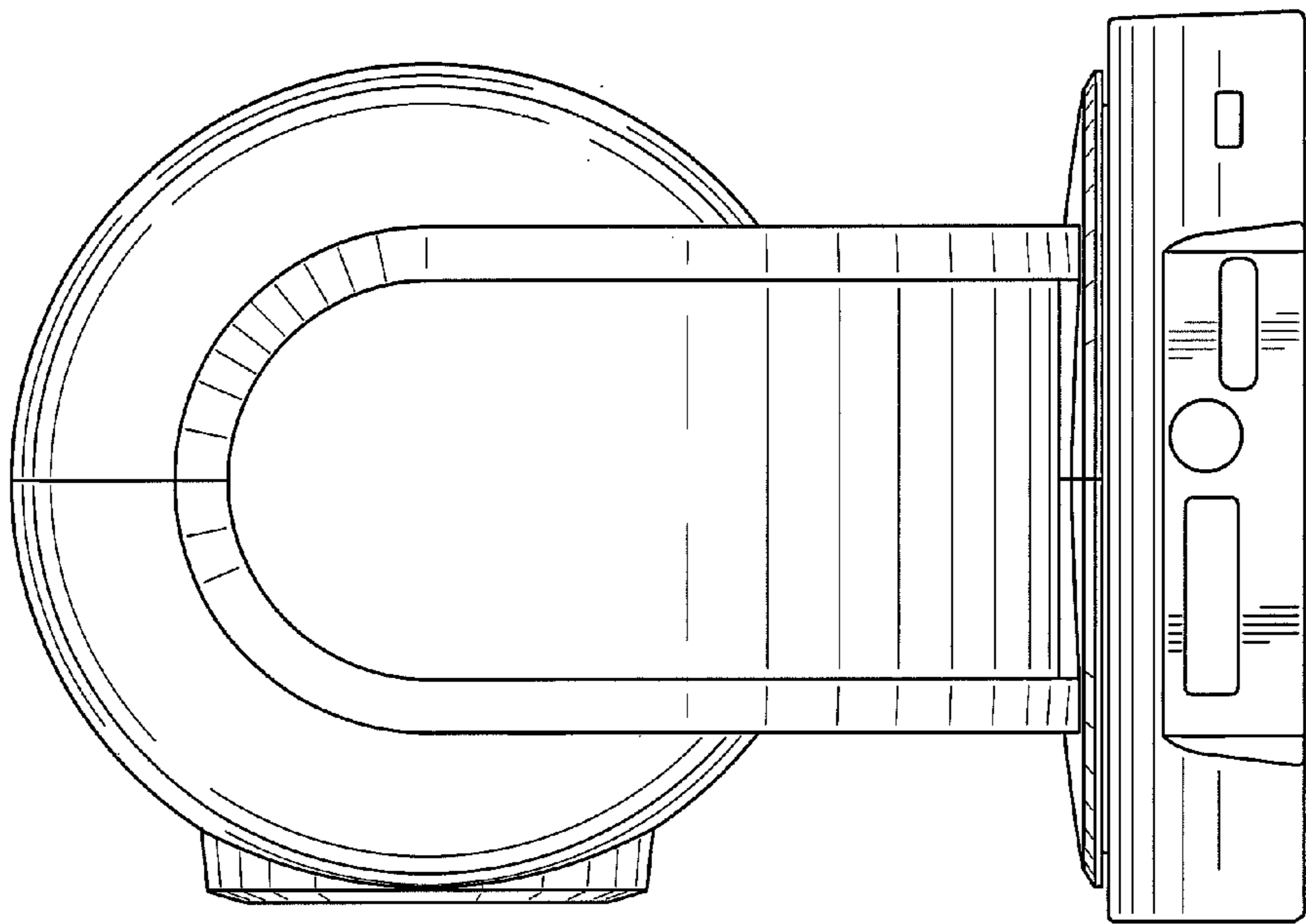


FIG. 5

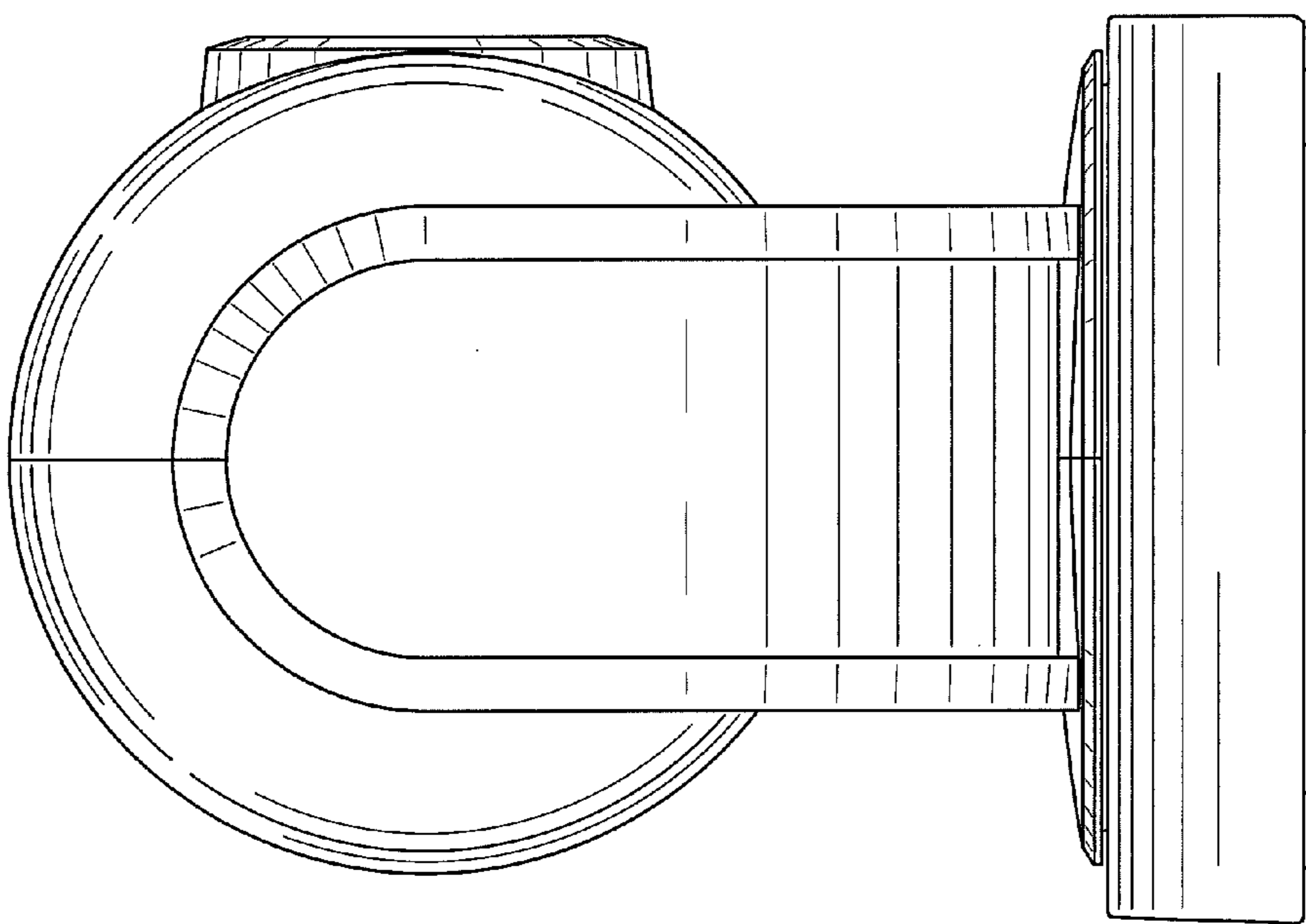


FIG. 4

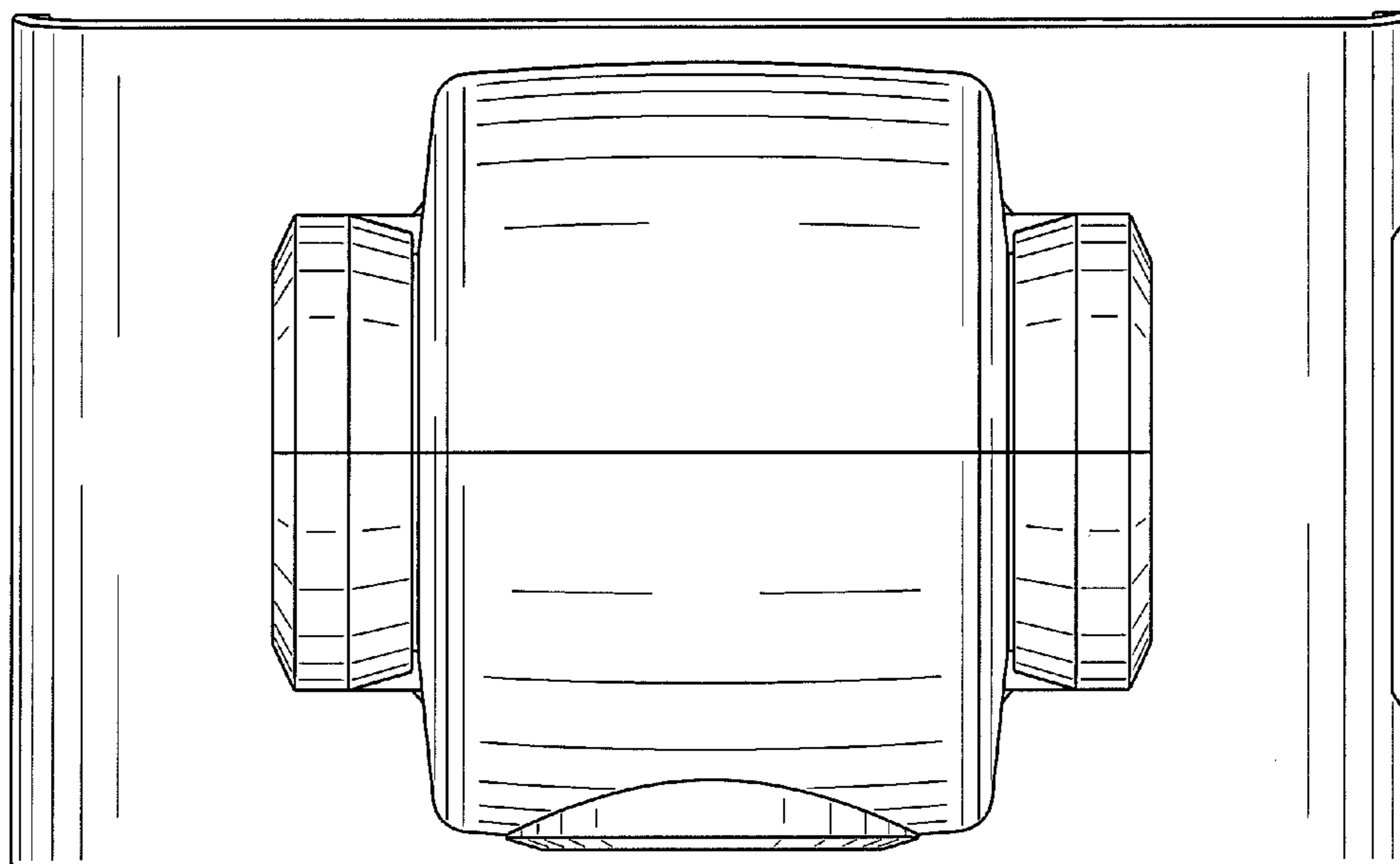


FIG. 6

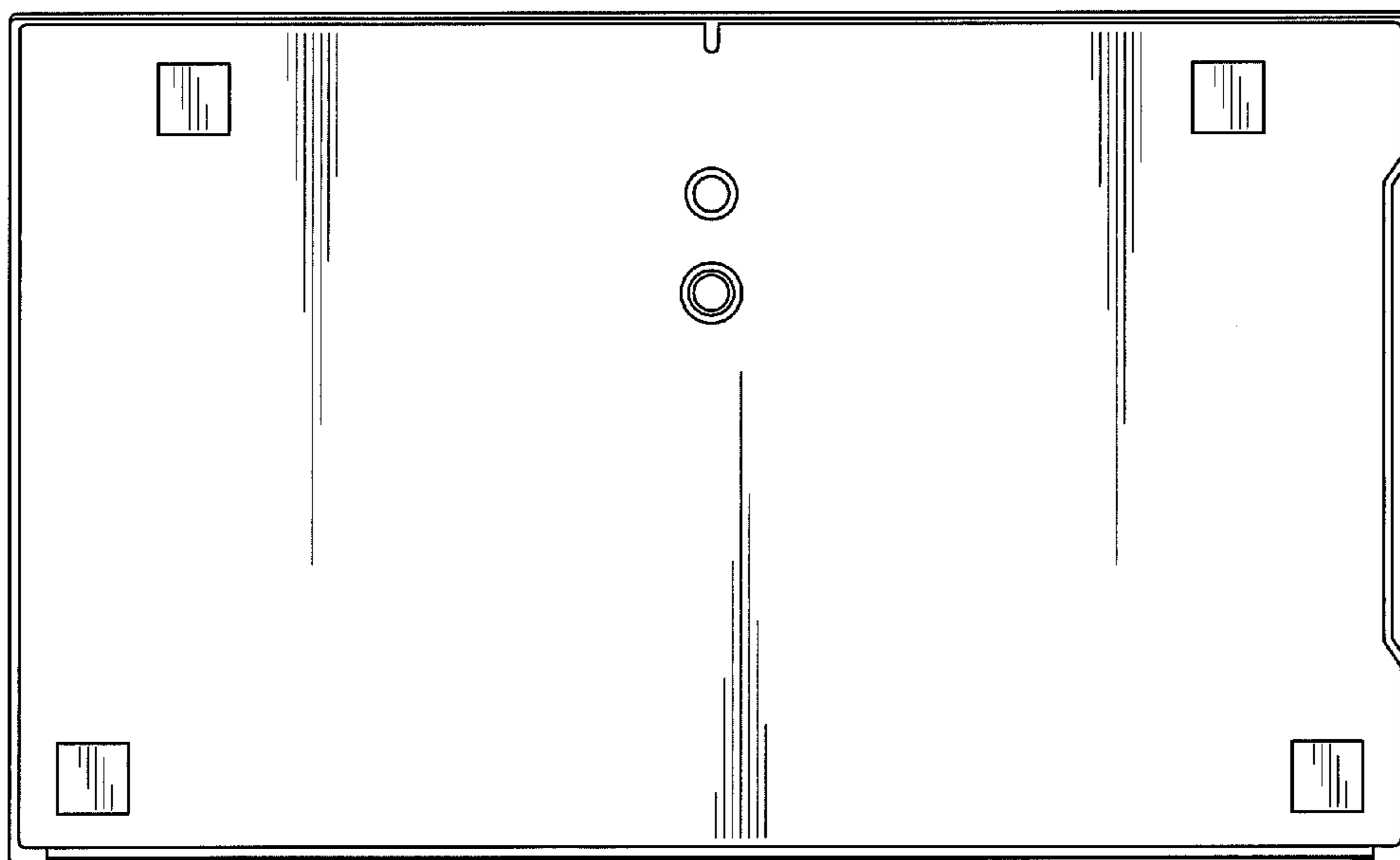


FIG. 7