



US00D742444S

(12) **United States Design Patent**
Leach et al.

(10) **Patent No.:** **US D742,444 S**
(45) **Date of Patent:** **** Nov. 3, 2015**

- (54) **WELDER ENCLOSURE**
- (71) Applicant: **Lincoln Global, Inc.**, City of Industry, CA (US)
- (72) Inventors: **Jason Karl Leach**, Cleveland Heights, OH (US); **Joshuah Zaller**, Chardon, OH (US)
- (73) Assignee: **LINCOLN GLOBAL, INC.**, City of Industry, CA (US)
- (**) Term: **14 Years**
- (21) Appl. No.: **29/508,879**
- (22) Filed: **Nov. 12, 2014**
- (51) **LOC (10) Cl.** **15-09**
- (52) **U.S. Cl.**
USPC **D15/144**
- (58) **Field of Classification Search**
USPC D8/29.1, 30; D15/144, 144.1, 144.2
See application file for complete search history.

(56) **References Cited**

U.S. PATENT DOCUMENTS

D275,292 S *	8/1984	Bouman	D15/144
D275,293 S *	8/1984	Bouman	D15/144
D280,329 S *	8/1985	Bouman	D15/144
D357,263 S *	4/1995	Soderholm	D15/144.2
D357,927 S *	5/1995	Soderholm	D15/144.1
D454,578 S *	3/2002	Armbruster	D15/144
D467,257 S *	12/2002	Andersson	D15/144
D489,741 S *	5/2004	Calco	D15/144
D518,078 S *	3/2006	Persson	D15/144.1
D520,038 S *	5/2006	Ljungfeldt	D15/144.1
D527,402 S *	8/2006	Loch	D15/144.2
D569,883 S *	5/2008	Wang	D15/144
D569,884 S *	5/2008	Shu	D15/144

D621,430 S *	8/2010	Christen	D15/144
D623,205 S *	9/2010	Flattinger	D15/144
D626,576 S *	11/2010	Gramatyka	D15/144
D629,028 S *	12/2010	Johnson	D15/144
D642,604 S *	8/2011	Rohrer	D15/144
D652,436 S *	1/2012	Ostlund	D15/144
D654,519 S *	2/2012	Wujczak	D15/144
D654,521 S *	2/2012	Flubacher	D15/144
D665,434 S *	8/2012	Mueller	D15/144
D665,833 S *	8/2012	Raymond	D15/144
D679,738 S *	4/2013	Segala	D15/144
2004/0182845 A1 *	9/2004	Crisler, III	B23K 9/1006 219/130.1
2009/0277882 A1 *	11/2009	Bornemann	B23K 10/00 219/121.39
2014/0238965 A1 *	8/2014	Spisic	B23K 9/1087 219/132

* cited by examiner

Primary Examiner — Patricia Palasik

(74) *Attorney, Agent, or Firm* — Pearne & Gordon LLP

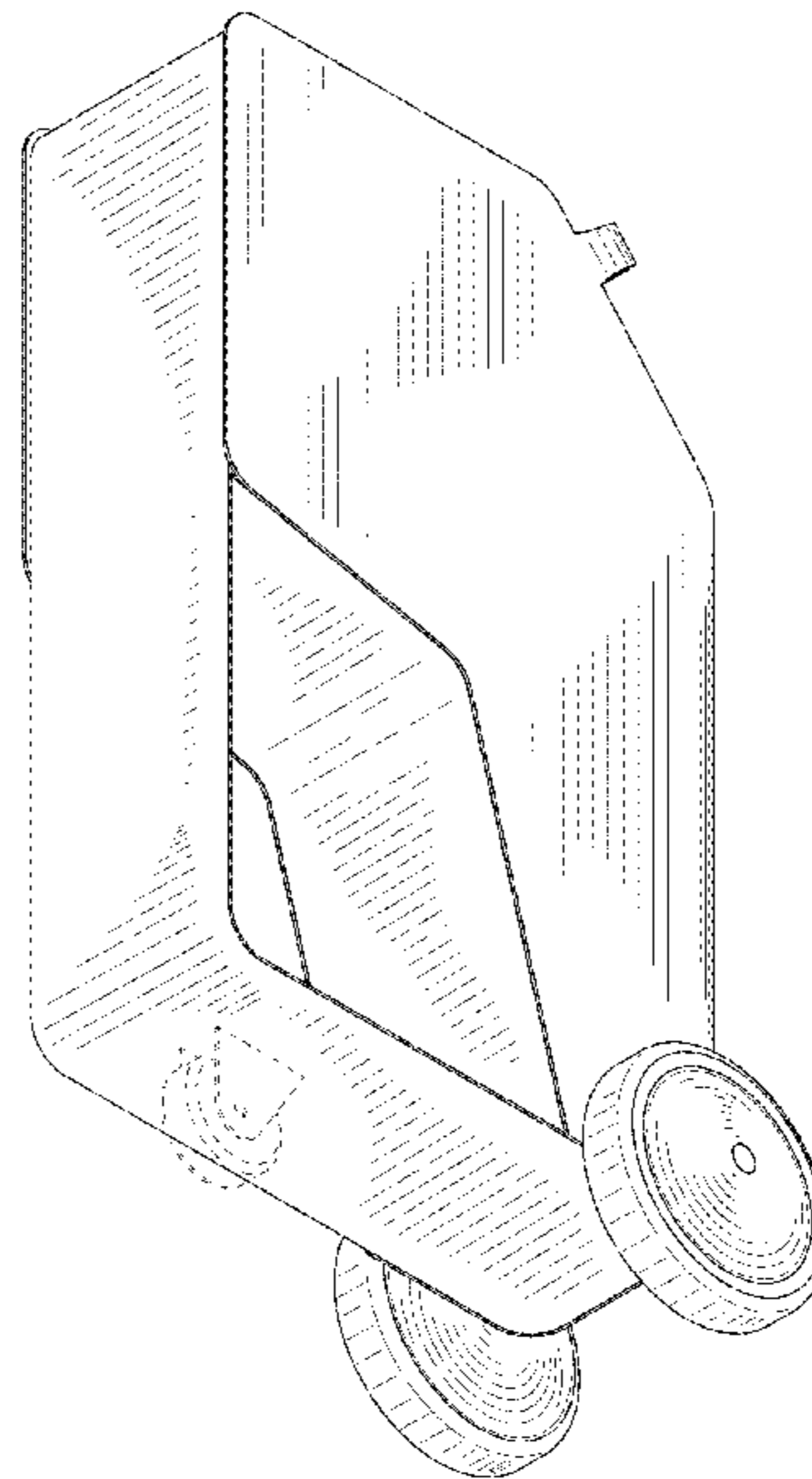
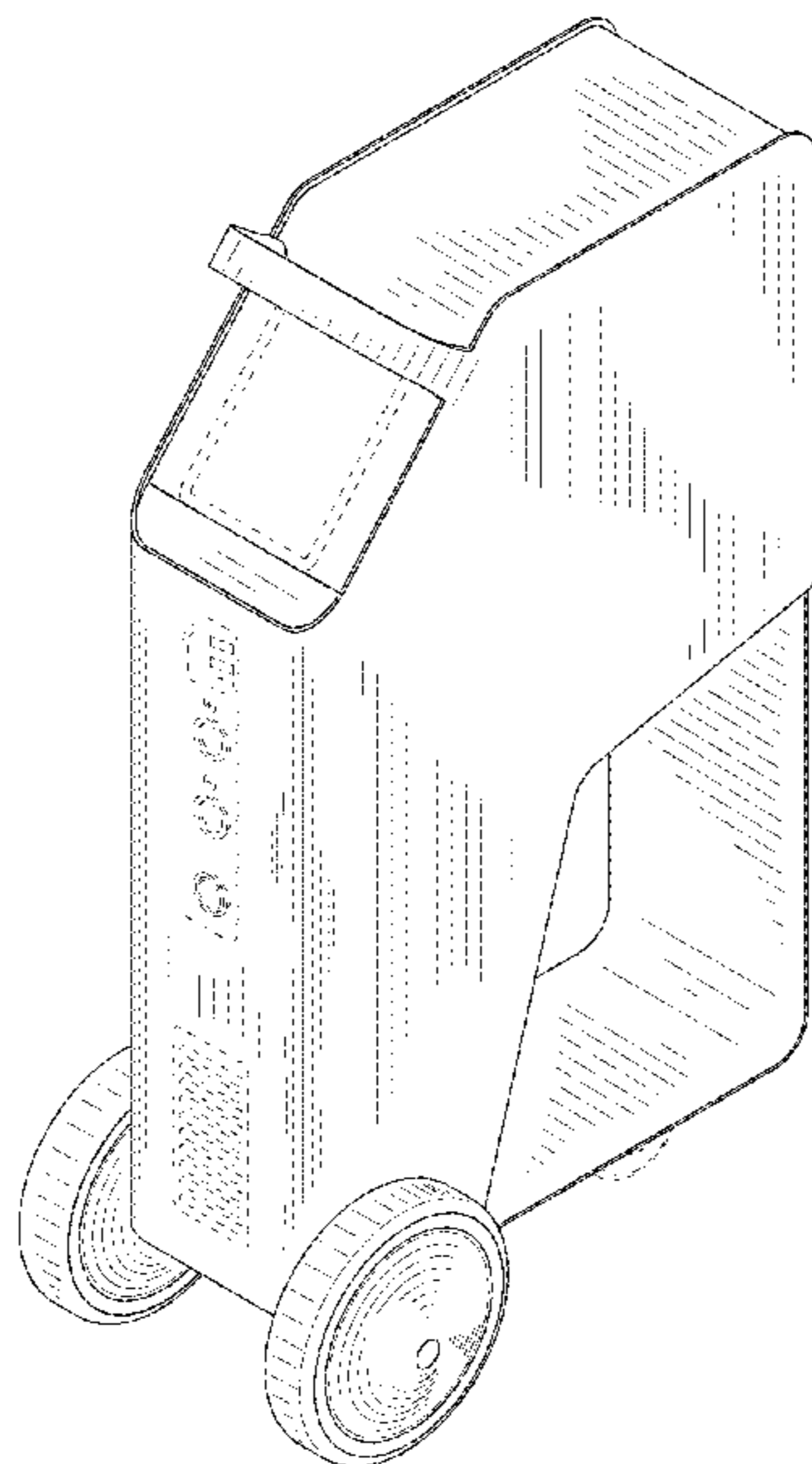
(57) **CLAIM**

The ornamental design for a welder enclosure, as shown and described.

DESCRIPTION

FIG. 1 is a front isometric view of a welder enclosure showing our new design;
 FIG. 2 is a rear isometric view thereof;
 FIG. 3 is a front elevation view thereof;
 FIG. 4 is a rear elevation view thereof;
 FIG. 5 is a left side elevation view thereof;
 FIG. 6 is a right side elevation view thereof;
 FIG. 7 is a top view thereof; and,
 FIG. 8 is a bottom view thereof.
 The broken lines are for illustrative purposes only and form no part of the claimed design.

1 Claim, 6 Drawing Sheets



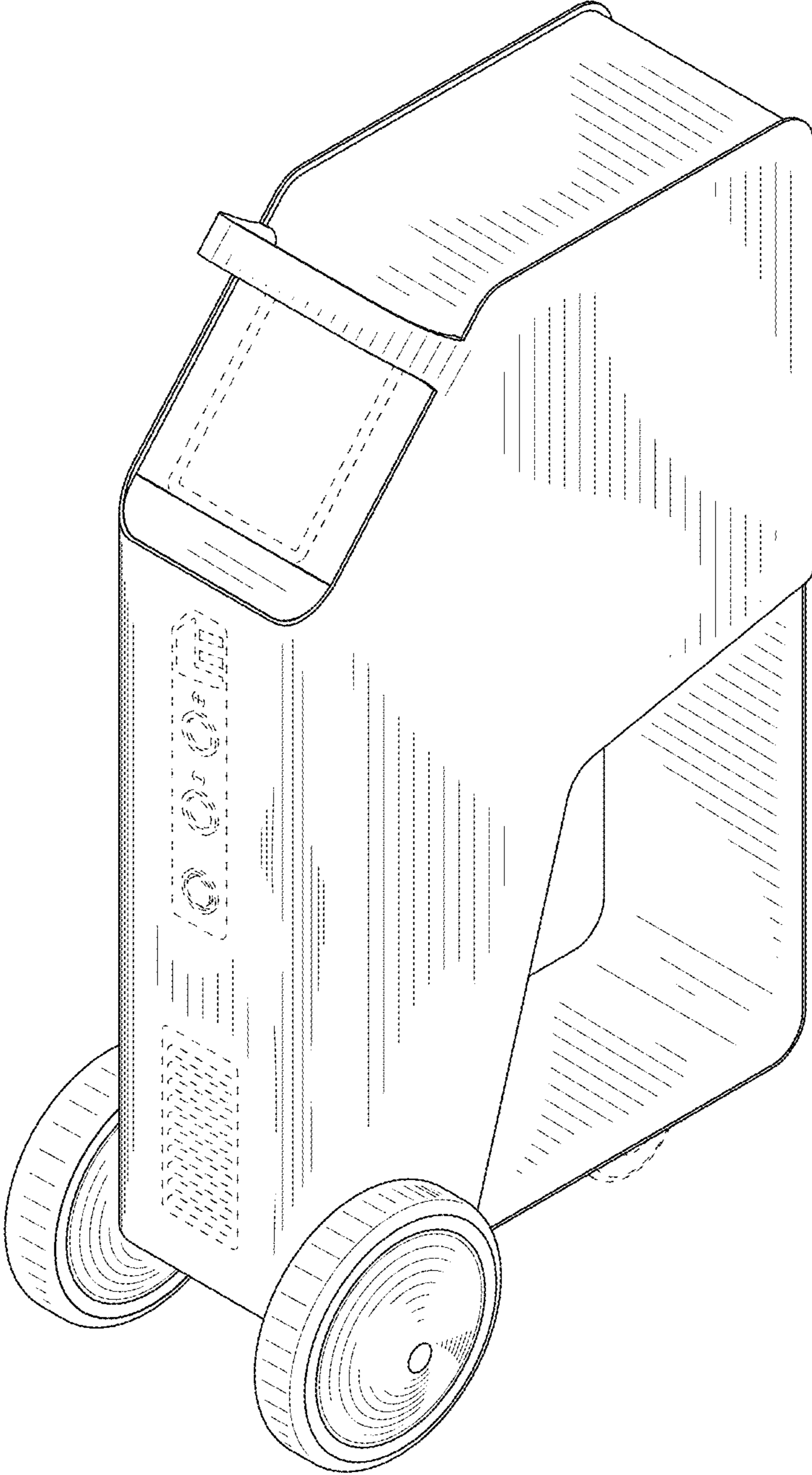


FIG. 1

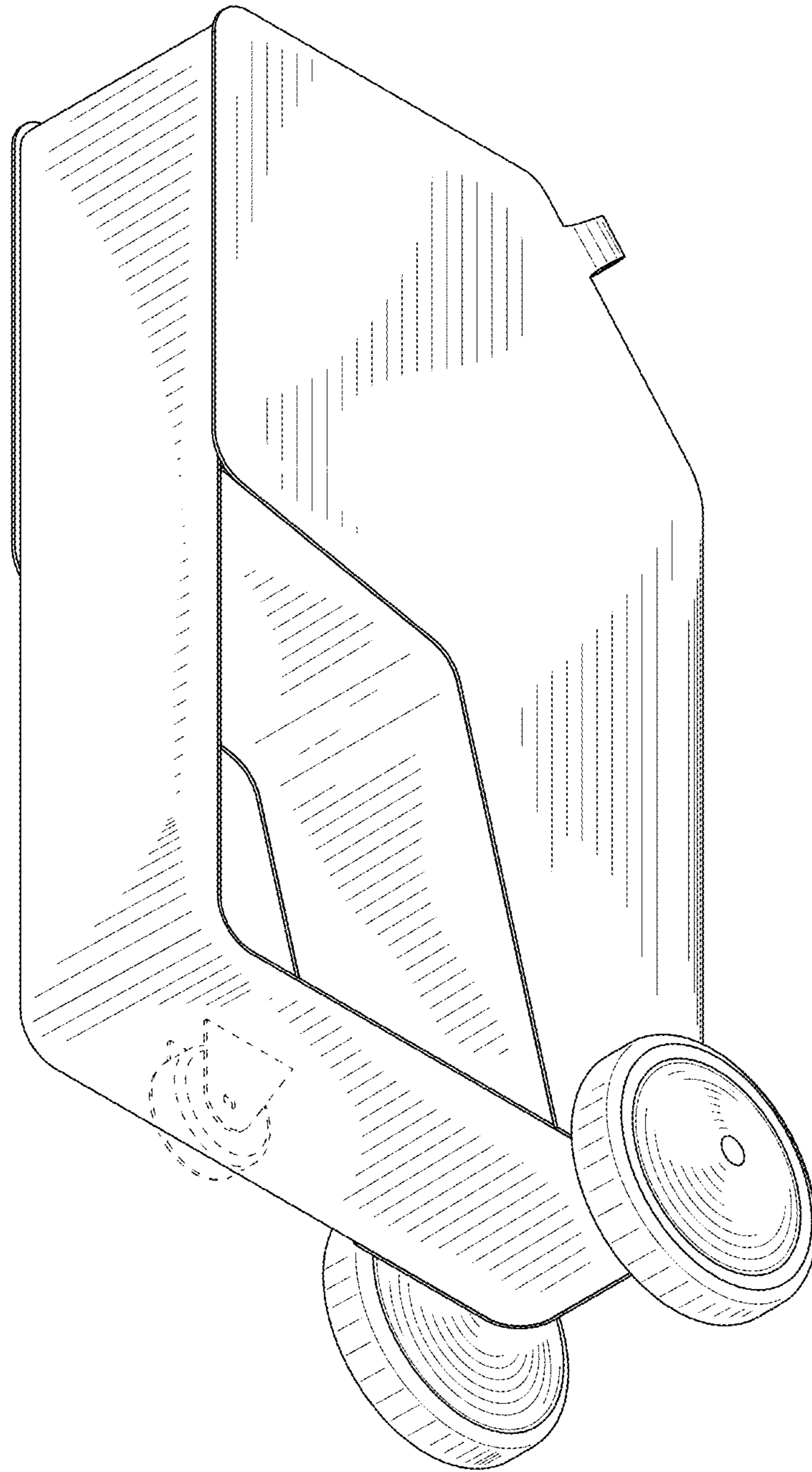


FIG. 2

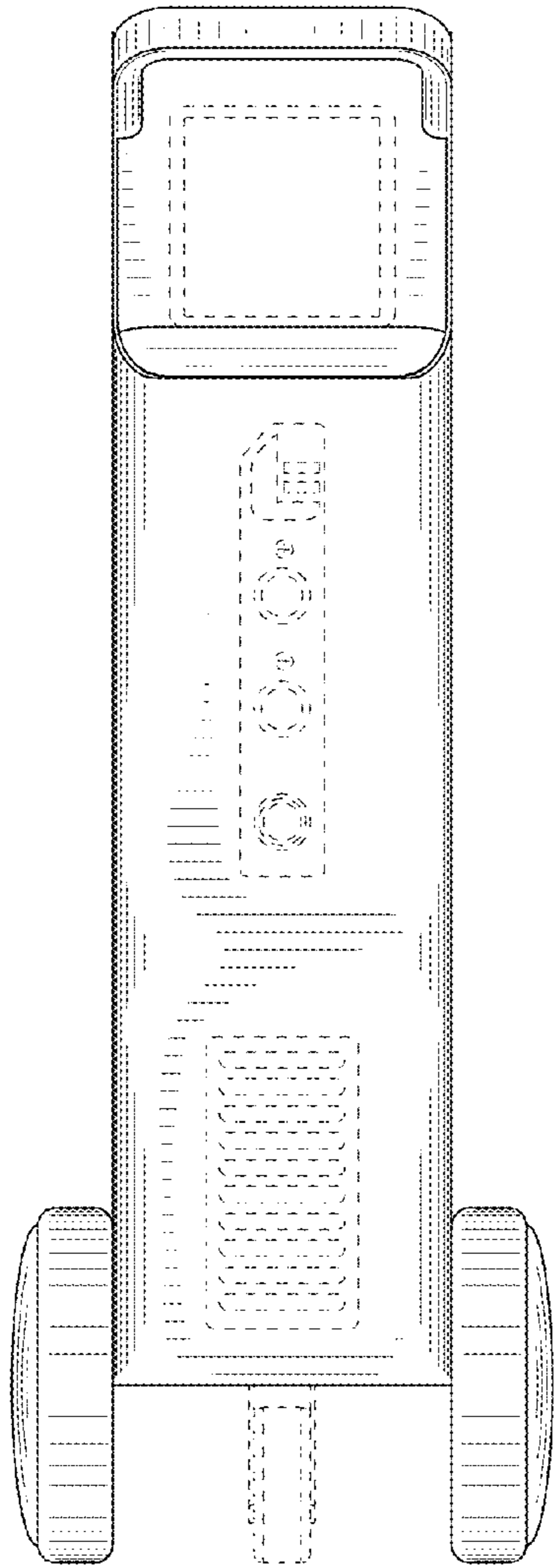


FIG. 3

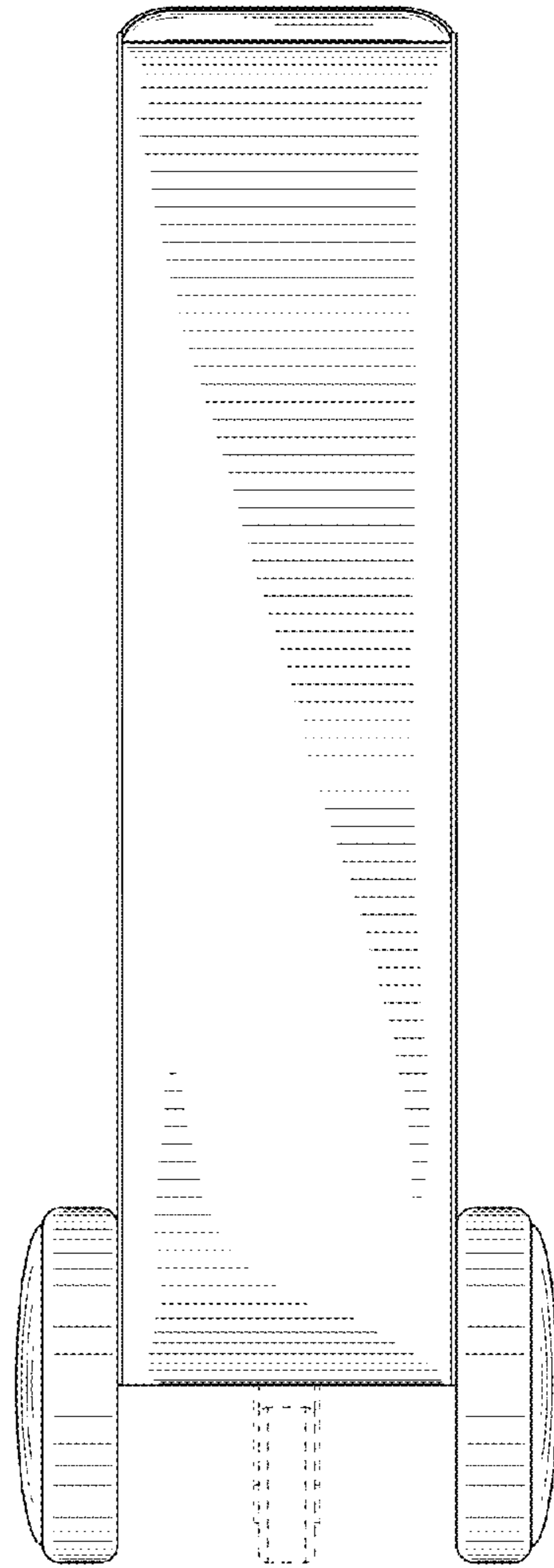


FIG. 4

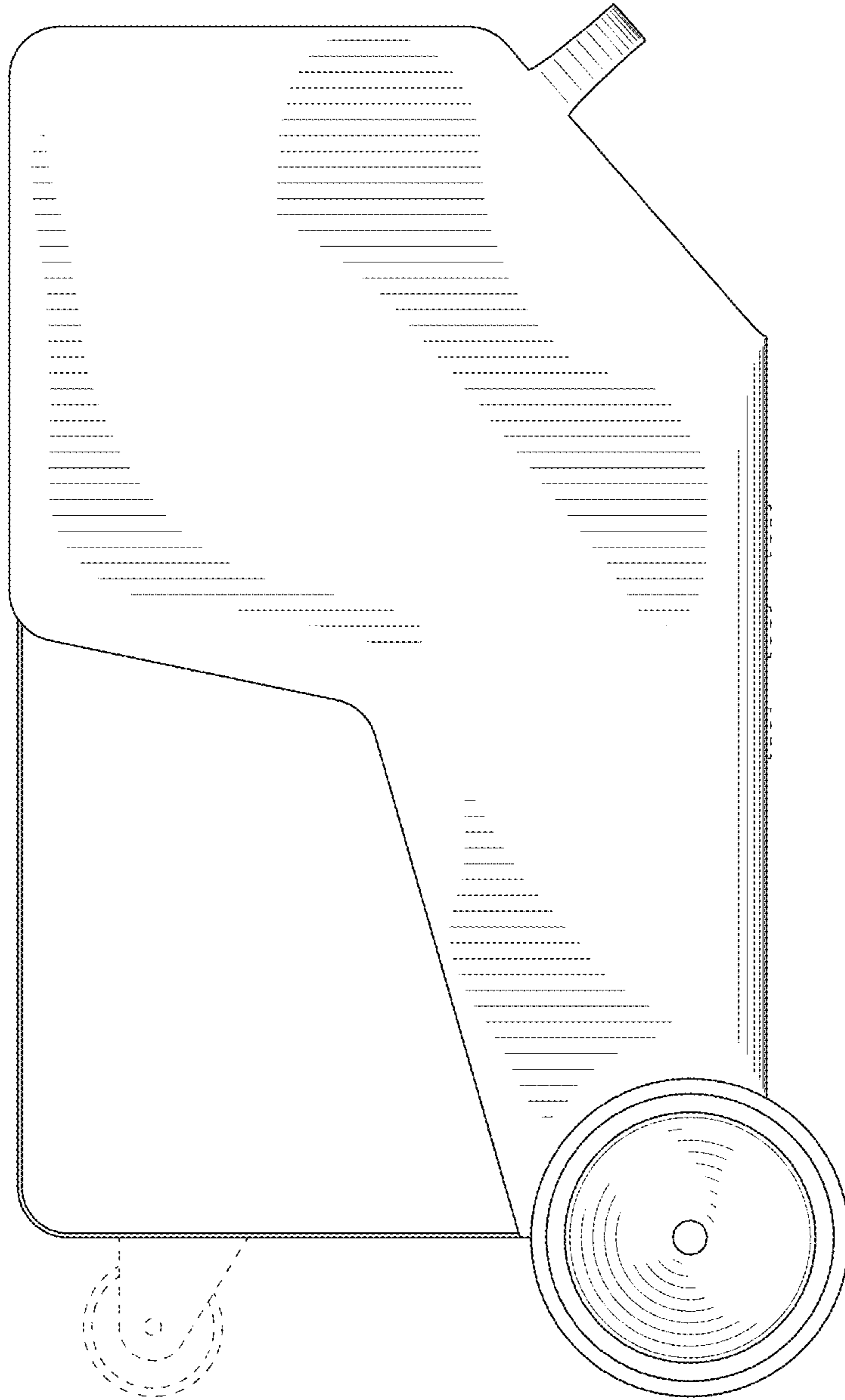


FIG. 5

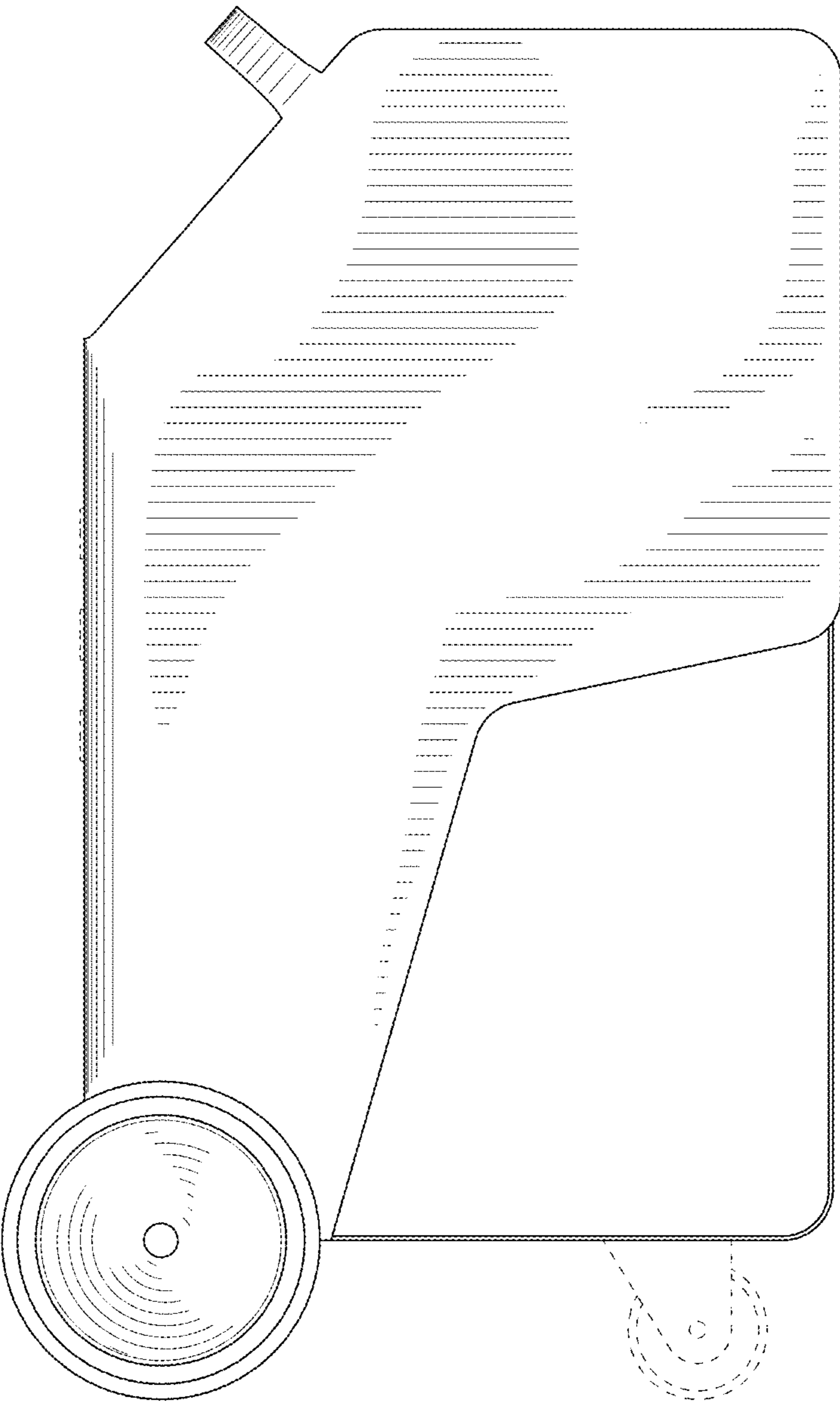


FIG. 6

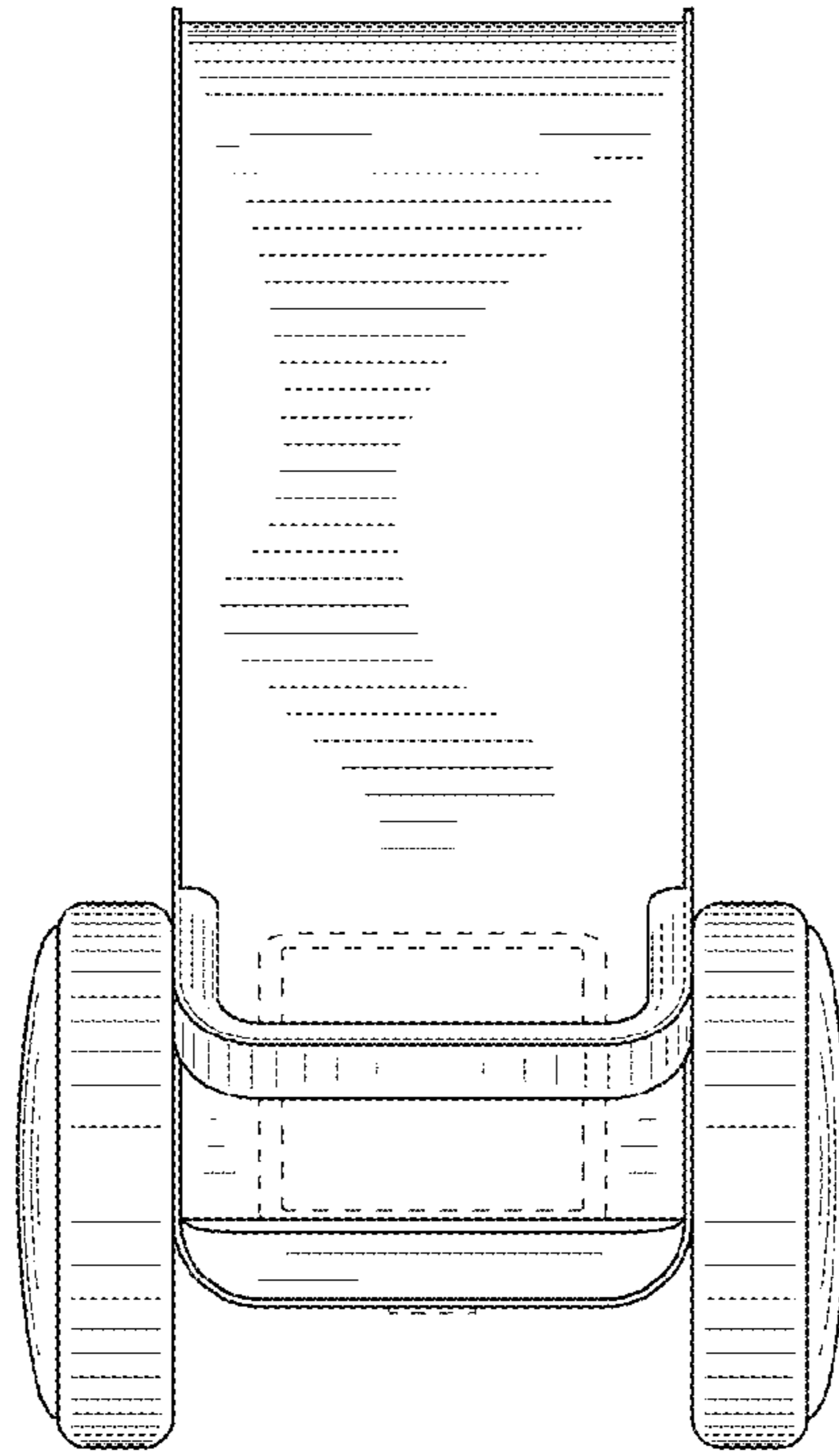


FIG. 7

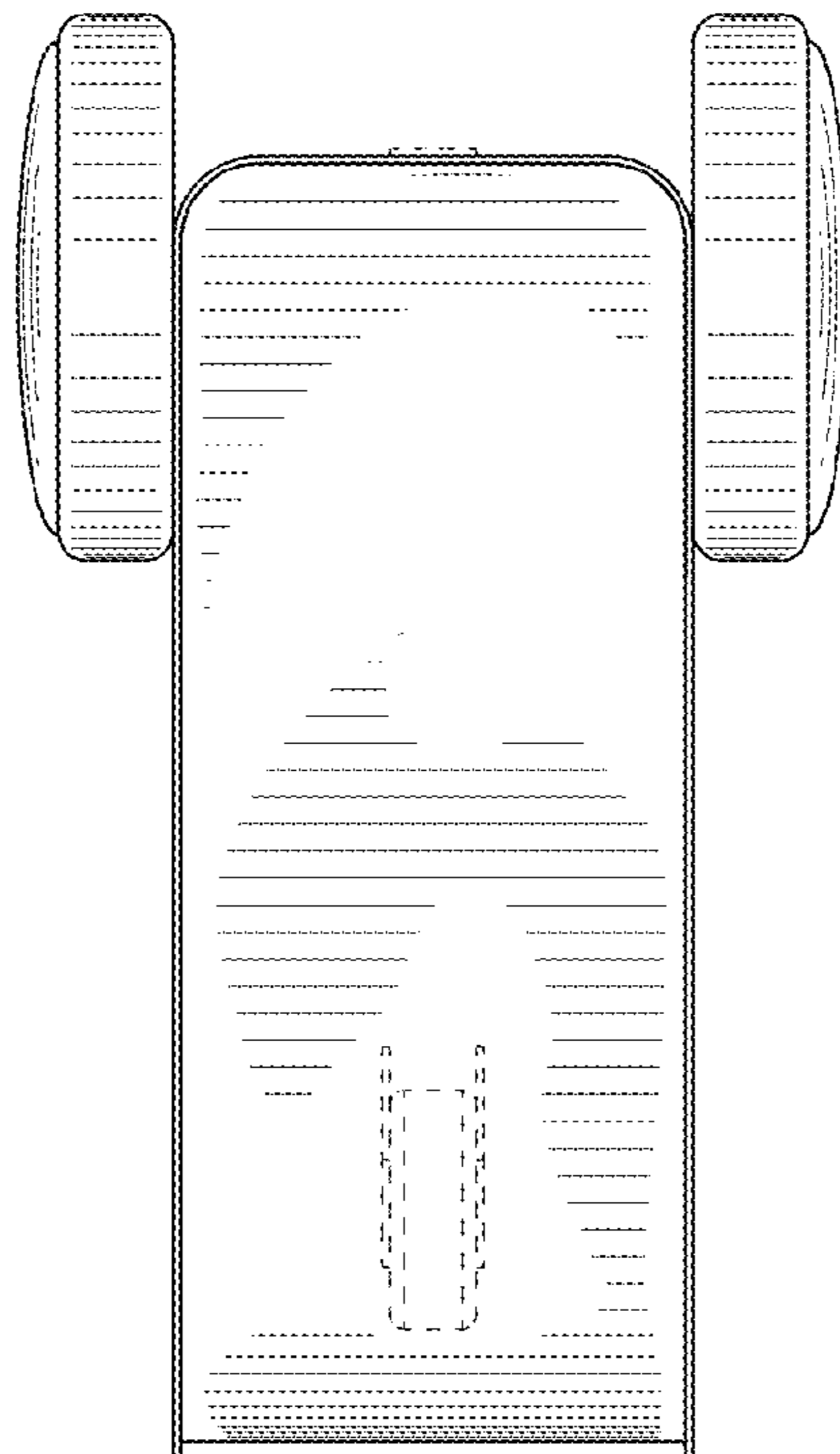


FIG. 8