



US00D742443S

(12) **United States Design Patent**
Whitmer et al.

(10) **Patent No.:** **US D742,443 S**
(45) **Date of Patent:** **** Nov. 3, 2015**

(54) **POST DRIVER COLLET**

(71) Applicant: **Rhino Tool Company**, Kewanee, IL
(US)

(72) Inventors: **Herbert W. Whitmer**, Kewanee, IL
(US); **Robert J. Conner**, Kewanee, IL
(US); **James V. Martin**, Kewanee, IL
(US)

(73) Assignee: **Rhino Tool Company**, Kewanee, IL
(US)

(**) Term: **14 Years**

(21) Appl. No.: **29/481,504**

(22) Filed: **Feb. 6, 2014**

(51) **LOC (10) Cl.** **15-09**

(52) **U.S. Cl.**
USPC **D15/140**

(58) **Field of Classification Search**
USPC D8/14, 70, 80; D15/138, 140
See application file for complete search history.

(56) **References Cited**

U.S. PATENT DOCUMENTS

2,098,146	A *	11/1937	Hunt	173/126
2,407,444	A *	9/1946	Pfingsten	173/205
2,470,974	A *	5/1949	Boydston	173/122
2,487,530	A *	11/1949	Dirksen	173/53
3,139,944	A *	7/1964	Smith	173/203
3,937,286	A *	2/1976	Wagner	173/203
3,961,672	A *	6/1976	Welsch et al.	173/193
4,494,612	A *	1/1985	Bell	173/1
D278,245	S *	4/1985	Smith	D15/140
4,519,584	A *	5/1985	McCray	254/29 R
4,984,640	A *	1/1991	Gillan et al.	173/205

D326,102	S *	5/1992	Mizoguchi	D15/140
D334,578	S *	4/1993	Elam	D15/140
5,392,866	A *	2/1995	White	173/90
5,806,608	A *	9/1998	DuBois	173/90
D437,865	S *	2/2001	Kladich	D15/140
D451,112	S *	11/2001	Trybula	D15/140
D452,299	S *	12/2001	Aldred et al.	D23/259
6,626,247	B1 *	9/2003	Nordlin	173/90
6,776,242	B1 *	8/2004	Cunningham	173/90
7,152,694	B2 *	12/2006	Dennis	173/184
7,832,497	B2 *	11/2010	Wilson	173/90
D656,805	S *	4/2012	Baumann	D8/70
D684,833	S *	6/2013	Baumann	D8/70
D711,733	S *	8/2014	Whitmer et al.	D8/397
8,955,612	B2 *	2/2015	O'Toole	173/90

* cited by examiner

Primary Examiner — Patricia Palasik

(74) *Attorney, Agent, or Firm* — Thompson Coburn LLP

(57) **CLAIM**

The ornamental design for a post driver collet, as shown and described.

DESCRIPTION

FIG. 1 is a perspective view showing the front, right and top of the design for a collet.

FIG. 2 is a perspective view showing the top, rear and left side of the design.

FIG. 3 is a front view of the design.

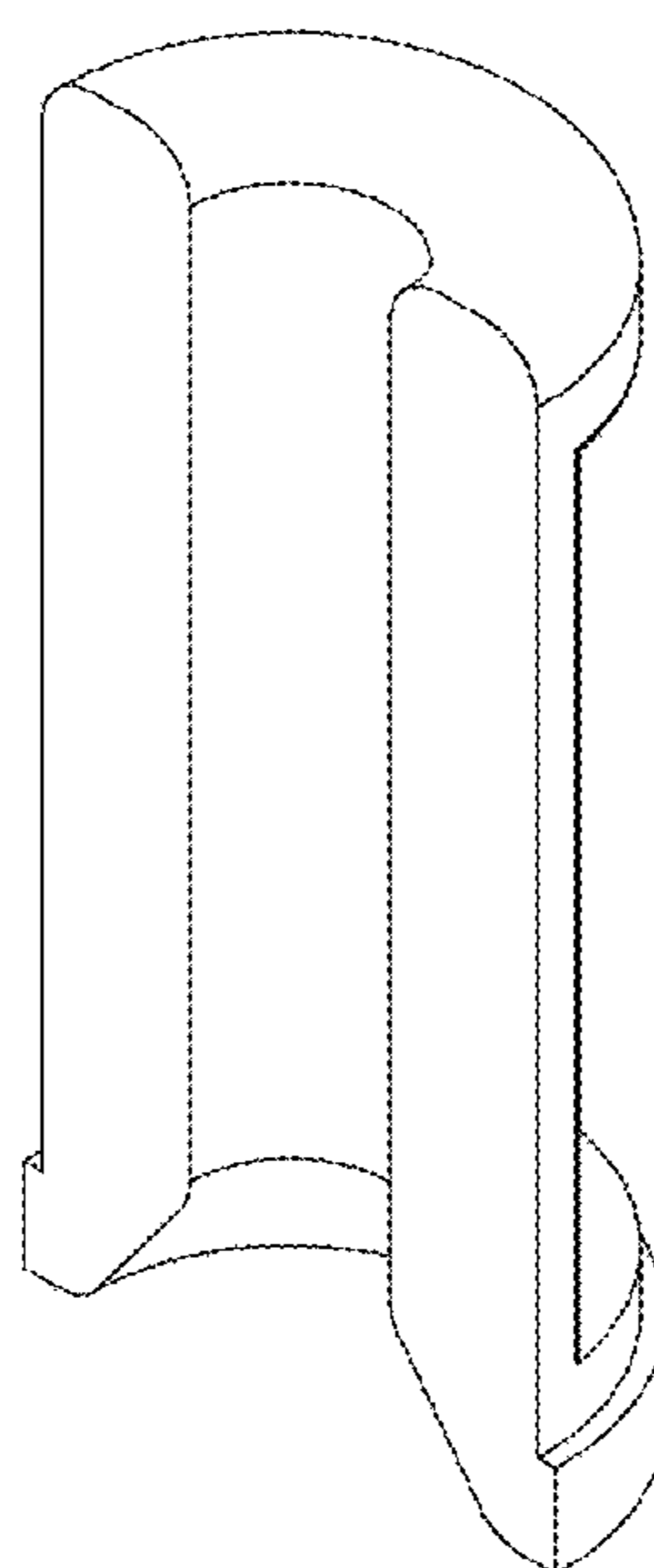
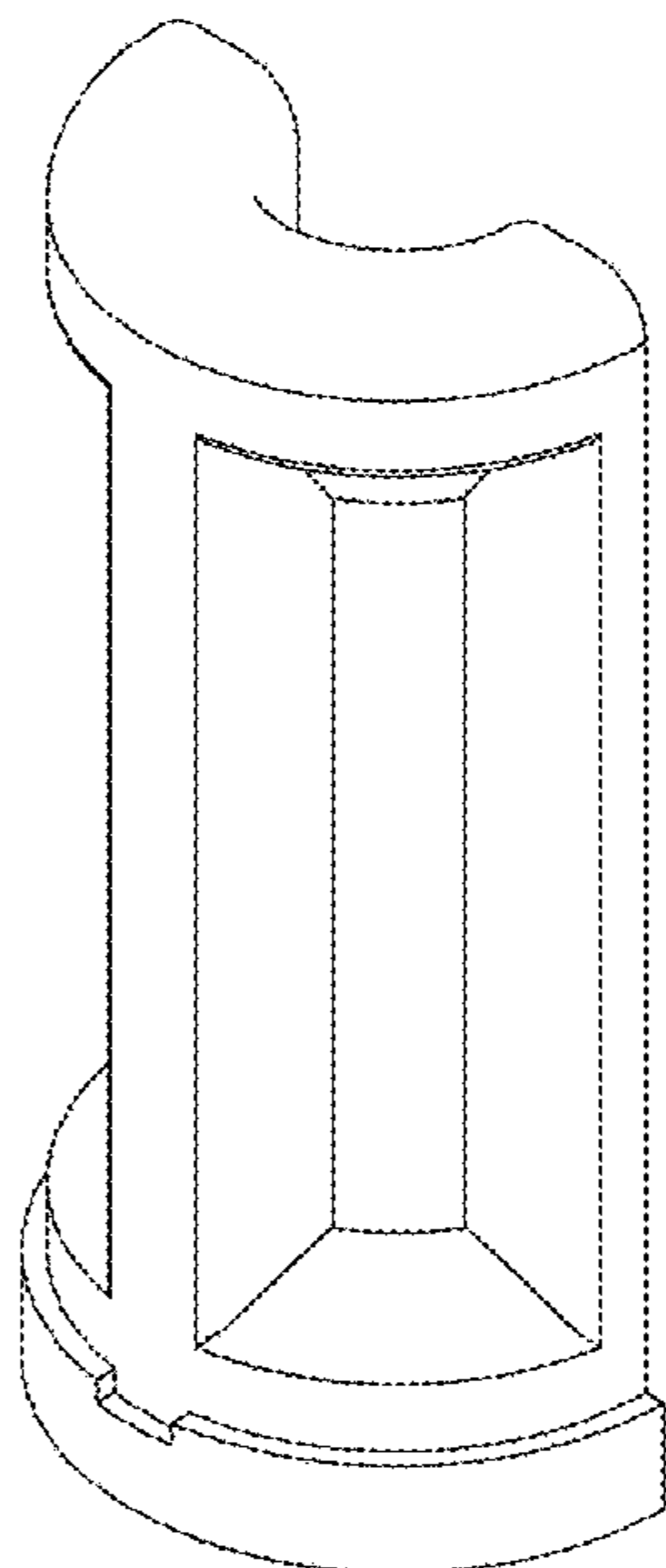
FIG. 4 is a cross-section view of the design taken along line 4-4 shown in FIG. 3.

FIG. 5 is a top view of the design; and,

FIG. 6 is a cross-sectional view of the design taken along line 6-6 in FIG. 5.

The dashed lines in the drawing figures represent the environment and do not constitute part of the claimed design.

1 Claim, 2 Drawing Sheets



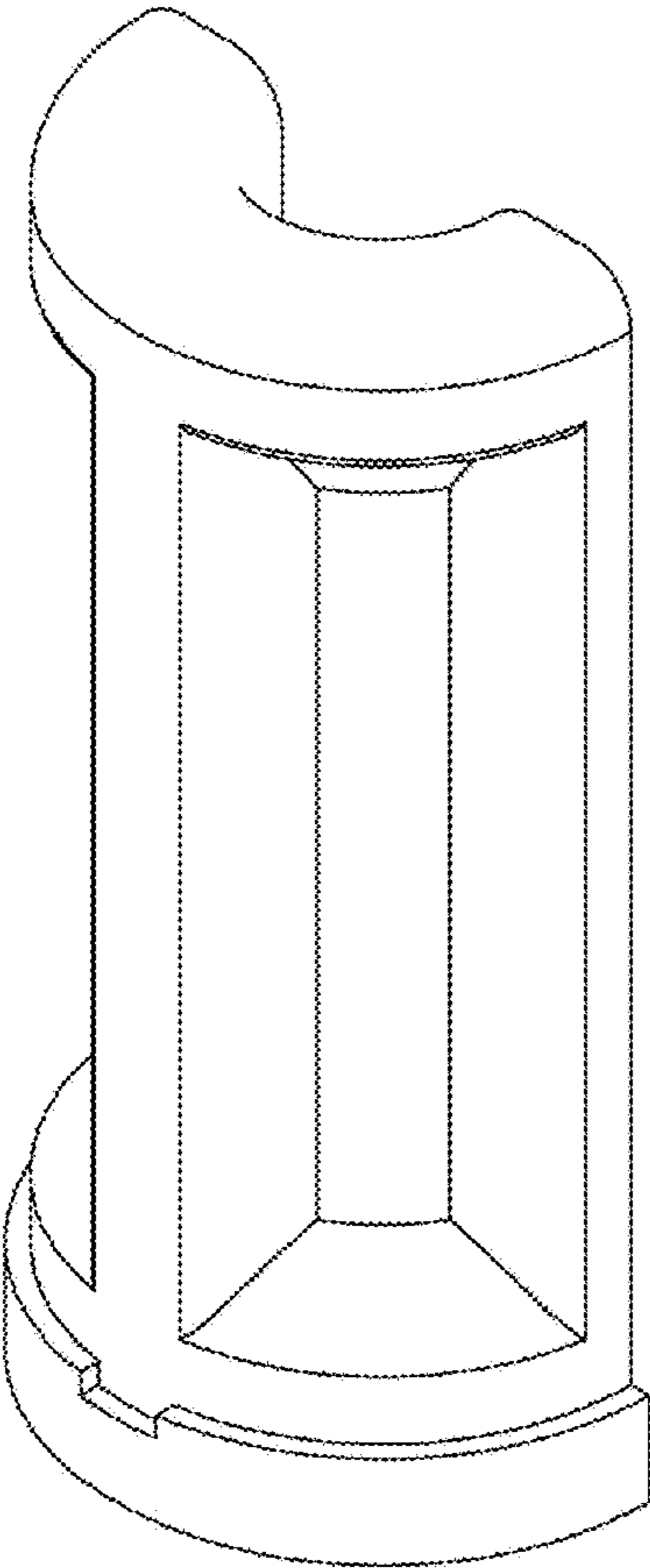


FIG. 1

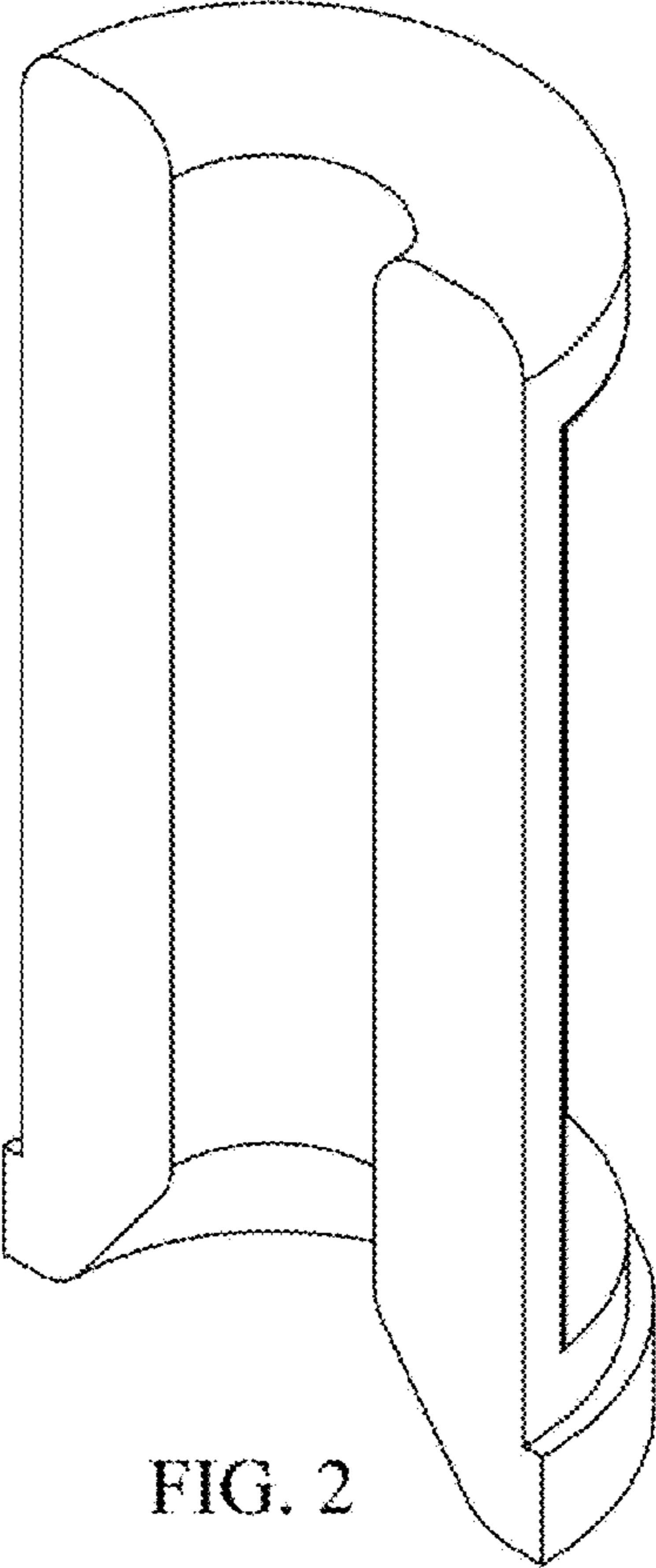


FIG. 2

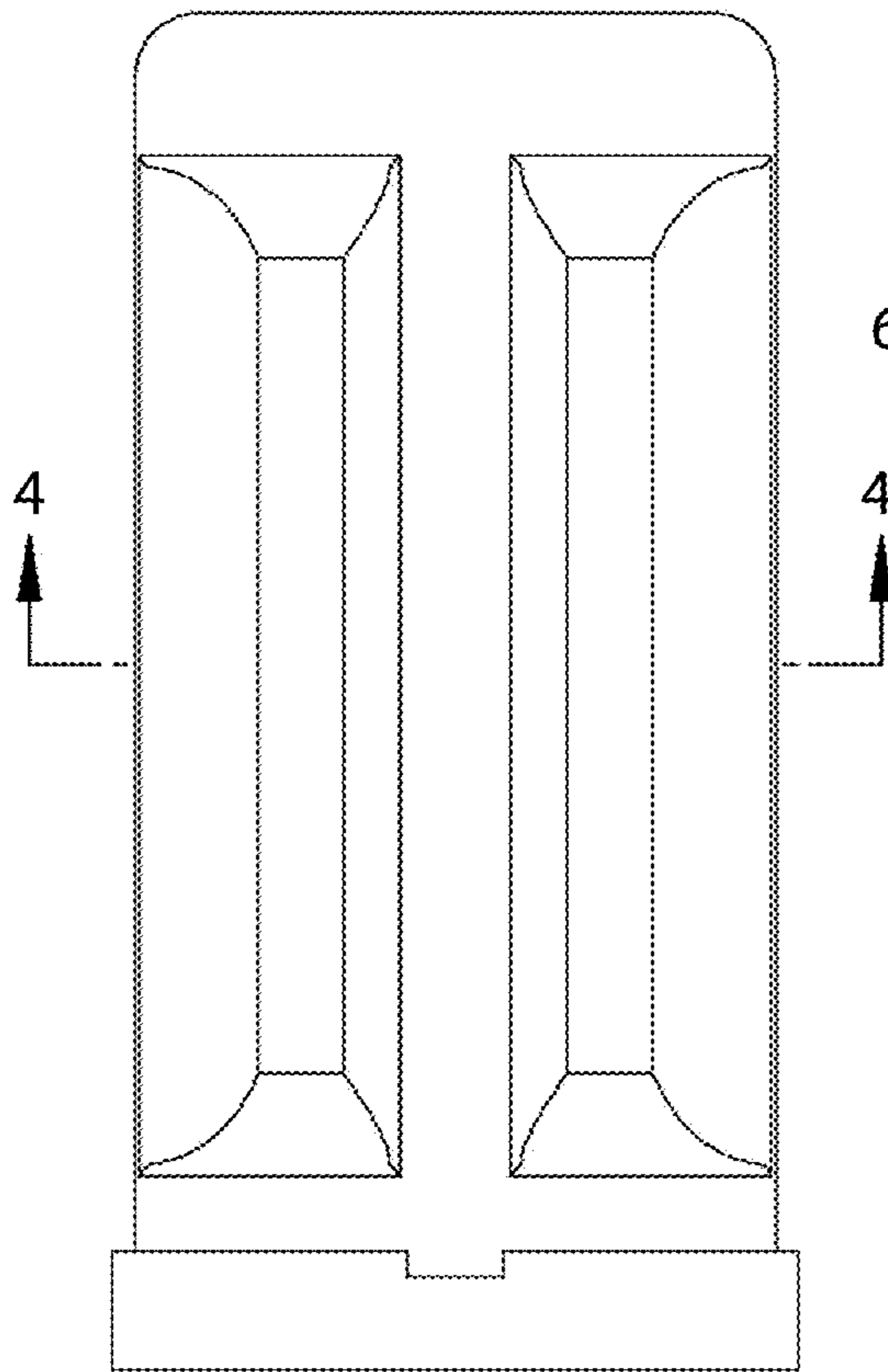


FIG. 3

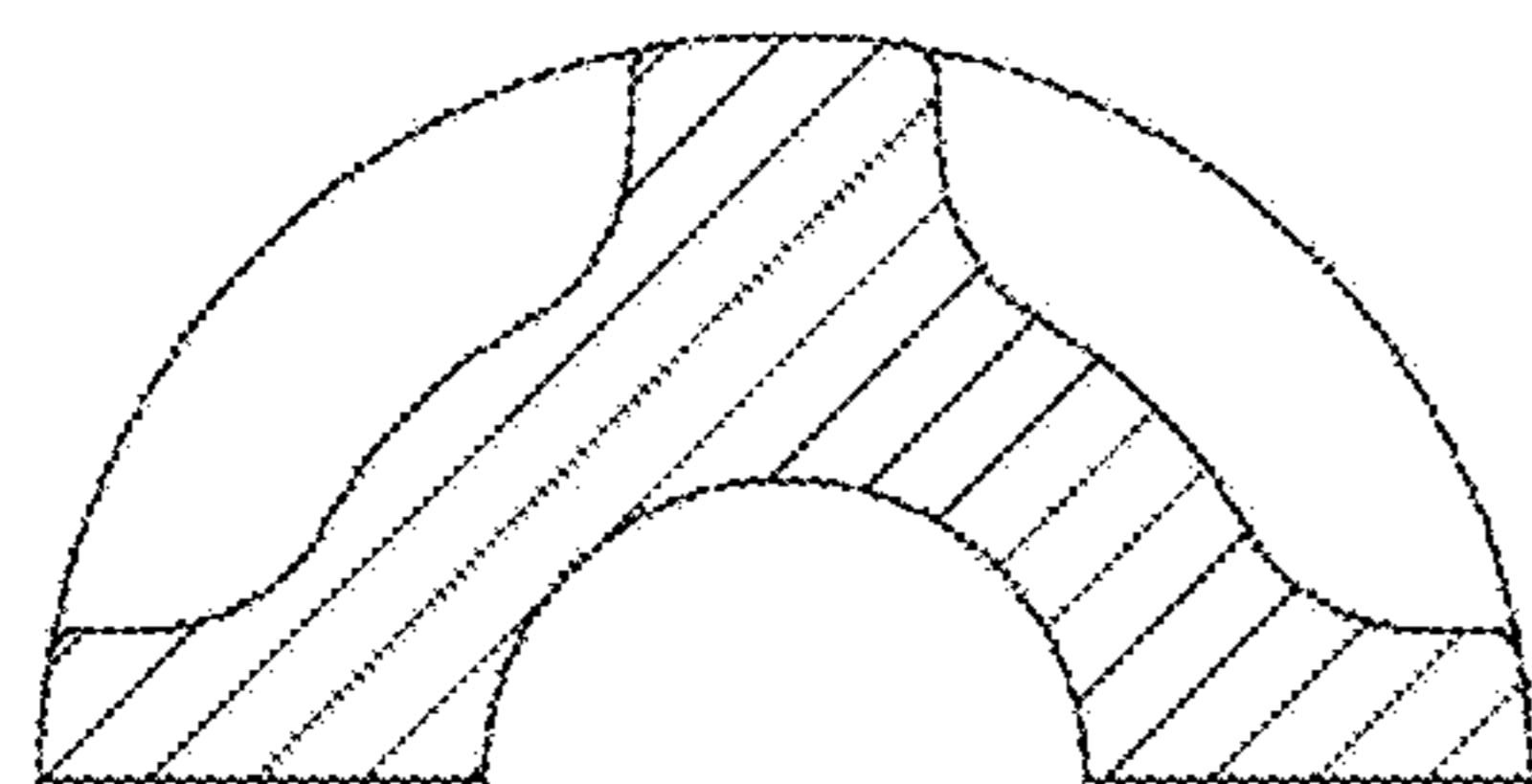


FIG. 4

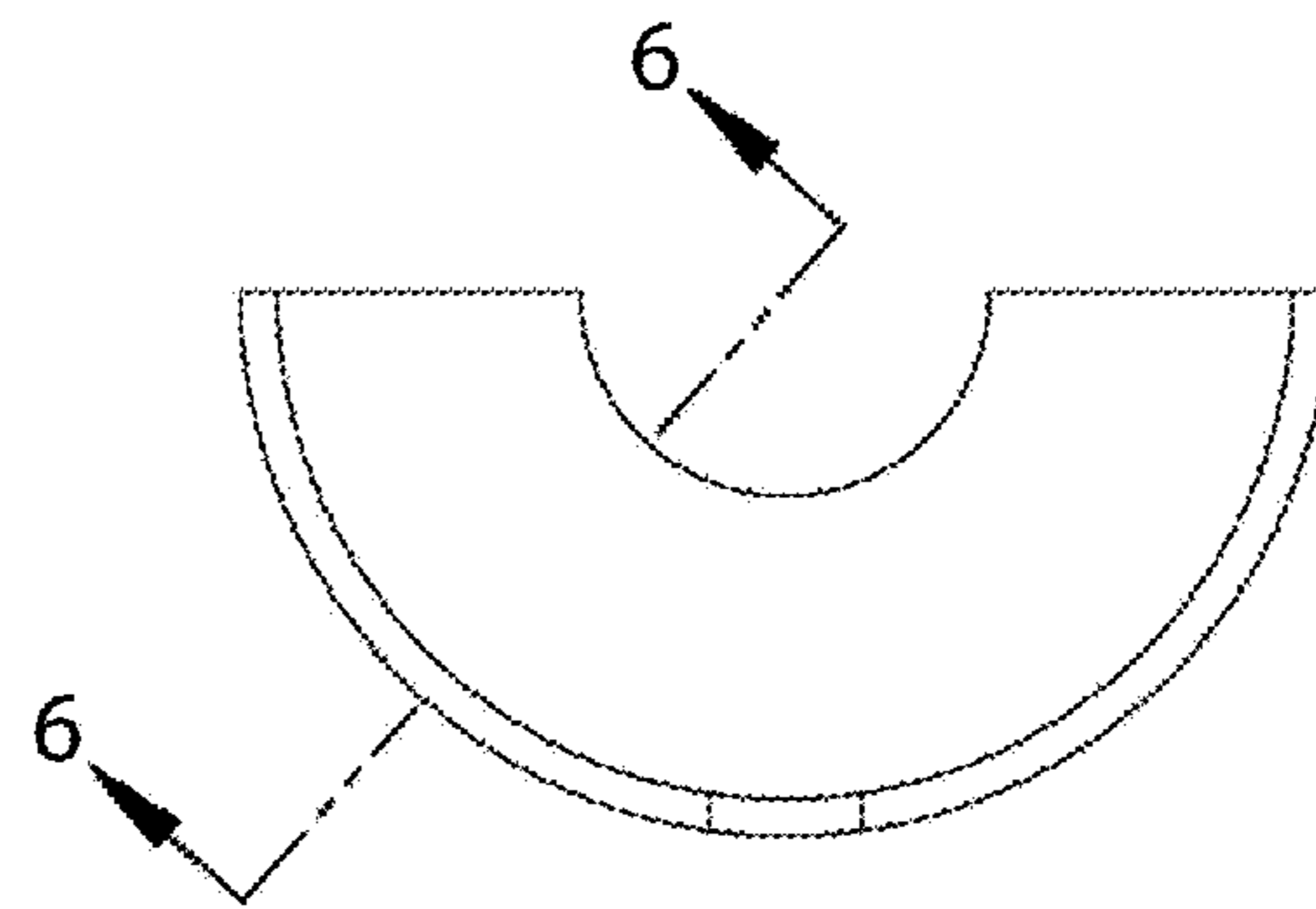


FIG. 5

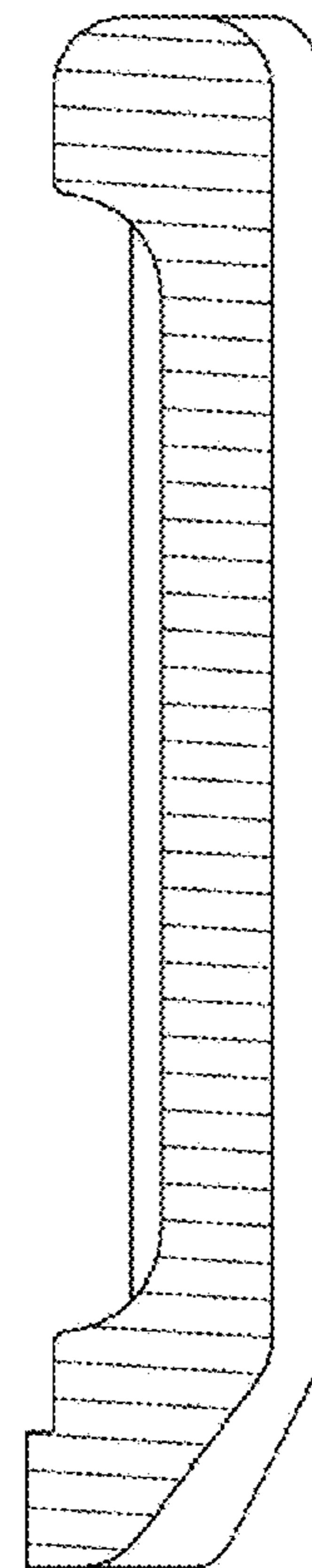


FIG. 6