



US00D742442S

(12) **United States Design Patent**
Suzuki et al.

(10) **Patent No.:** **US D742,442 S**

(45) **Date of Patent:** **** *Nov. 3, 2015**

(54) **IMPELLER BLADE FOR SHOTBLAST MACHINE**

(71) Applicant: **Sintokogio, Ltd.**, Nagoya-shi, Aichi (JP)

(72) Inventors: **Hiroaki Suzuki**, Toyokawa (JP); **Masato Umeoka**, Toyokawa (JP)

(73) Assignee: **Sintokogio, Ltd.**, Nagoya-shi (JP)

(*) Notice: This patent is subject to a terminal disclaimer.

(**) Term: **14 Years**

(21) Appl. No.: **29/488,894**

(22) Filed: **Apr. 24, 2014**

(30) **Foreign Application Priority Data**

Oct. 31, 2013 (JP) 2013-025416

(51) **LOC (10) Cl.** **15-09**

(52) **U.S. Cl.**
USPC **D15/139**

(58) **Field of Classification Search**
USPC D7/383; D15/122, 123, 124, 131, 138,
D15/139, 140; D23/379; D24/110
See application file for complete search history.

(56) **References Cited**

U.S. PATENT DOCUMENTS

2,637,502	A *	5/1953	Bond	241/194
3,000,579	A *	9/1961	Bridgewater	241/275
3,074,657	A *	1/1963	Bridgewater	241/275
3,149,793	A *	9/1964	Bridgewater	241/275
3,174,697	A *	3/1965	Bridgewater	241/275
4,355,769	A *	10/1982	Warren et al.	241/300
RE32,355	E *	2/1987	Warren et al.	241/300
4,784,339	A *	11/1988	Deffenbaugh	241/275
5,081,801	A *	1/1992	Fylak	451/97
5,360,486	A *	11/1994	Elliott	134/6
5,417,608	A *	5/1995	Elliott	451/81
5,441,370	A *	8/1995	Pantzar et al.	407/113
D366,935	S *	2/1996	Arthun et al.	D23/411

5,637,029	A *	6/1997	Lehane	451/39
5,921,484	A *	7/1999	Smith et al.	241/275
D429,741	S *	8/2000	Warren	D15/123
6,405,953	B1 *	6/2002	Warren	241/275
D468,009	S *	12/2002	Hoenderkamp et al.	D23/411
6,877,959	B2 *	4/2005	McWhirter	416/228
6,881,033	B2 *	4/2005	Makinson et al.	416/3
7,147,407	B2 *	12/2006	Satran	407/42
D577,807	S *	9/2008	Kenyon et al.	D23/379
D630,721	S *	1/2011	Kenyon et al.	D23/379
D645,950	S *	9/2011	Kenyon et al.	D23/379
D681,704	S *	5/2013	Stoyanov	D15/138
D702,829	S *	4/2014	Chen et al.	D23/379
8,757,979	B2 *	6/2014	Martensson	416/190

(Continued)

FOREIGN PATENT DOCUMENTS

CN	302300908	S	1/2013
JP	367670		8/1973

(Continued)

Primary Examiner — Patricia Palasik
(74) *Attorney, Agent, or Firm* — Saidman DesignLaw Group LLC

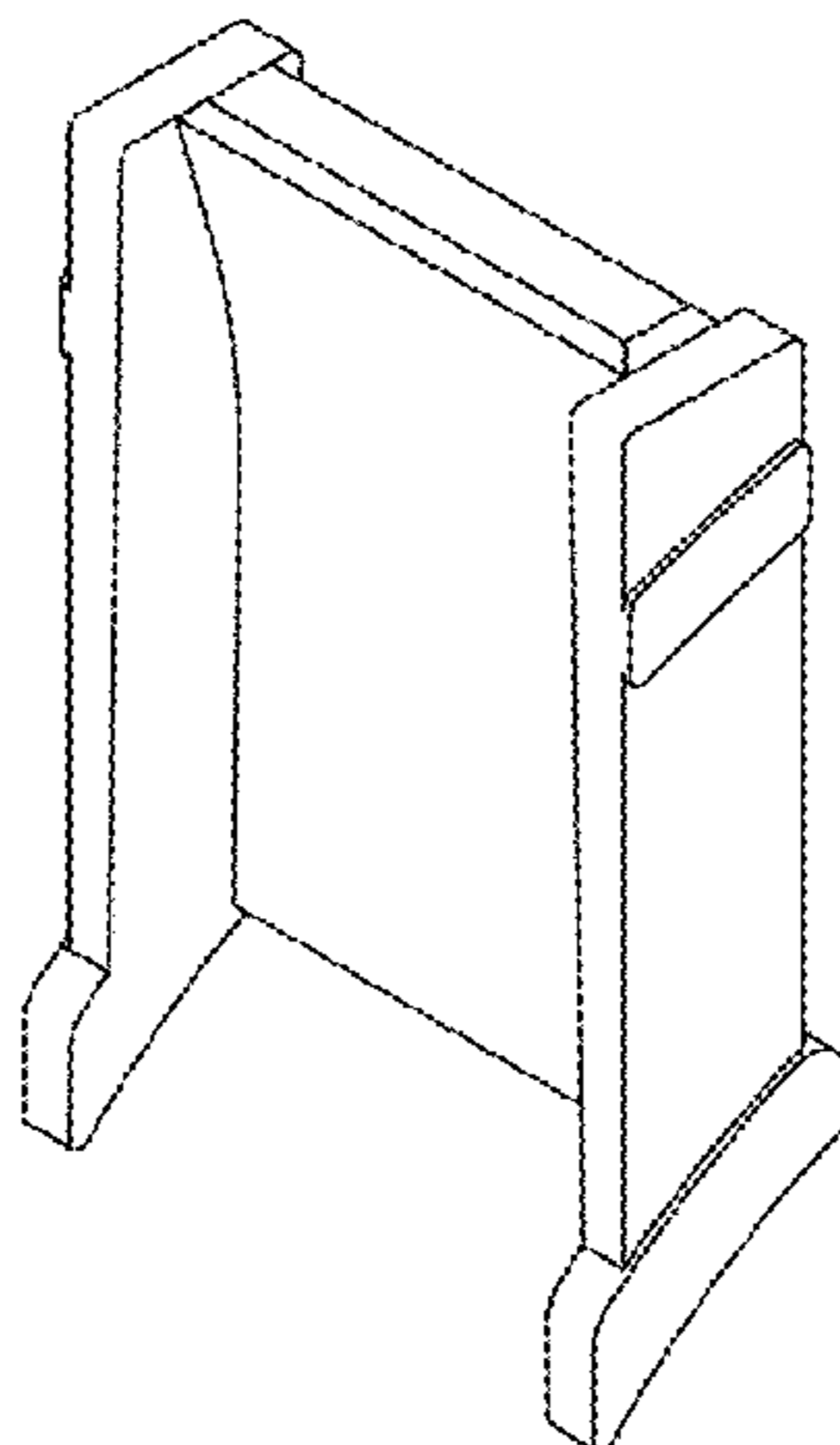
(57) **CLAIM**

The ornamental design for an impeller blade for shotblast machine, as shown and described.

DESCRIPTION

FIG. 1 is a front view of an impeller blade for shotblast machine showing our new design;
FIG. 2 is a rear view thereof;
FIG. 3 is a left side view thereof;
FIG. 4 is a right side view thereof;
FIG. 5 is a top plan view thereof;
FIG. 6 is a bottom plan view thereof;
FIG. 7 is a cross-sectional view taken along the lines A-A;
FIG. 8 is a front right top perspective view thereof;
FIG. 9 is a front right bottom perspective view thereof;
FIG. 10 is a rear right top perspective view thereof; and,
FIG. 11 is a rear right bottom perspective view thereof.

1 Claim, 4 Drawing Sheets



US D742,442 S

Page 2

(56)

References Cited

U.S. PATENT DOCUMENTS

8,926,406 B2 * 1/2015 Mrak et al. 451/95
2009/0186564 A1 * 7/2009 Liedtke 451/91

FOREIGN PATENT DOCUMENTS

JP 369408 9/1973
JP 409729 11/1975

JP	465465	1/1978
JP	489626	12/1978
JP	627737	6/1984
JP	627738	6/1984
JP	866025	4/1993
JP	627737-1	11/1995
JP	627738-1	10/1997
TW	077776	5/1986

* cited by examiner

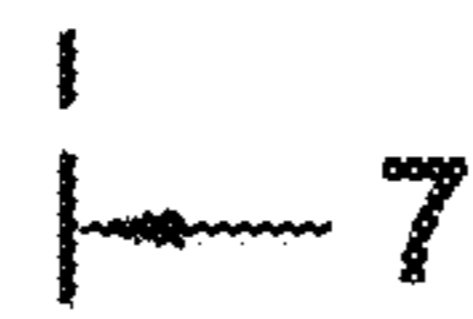
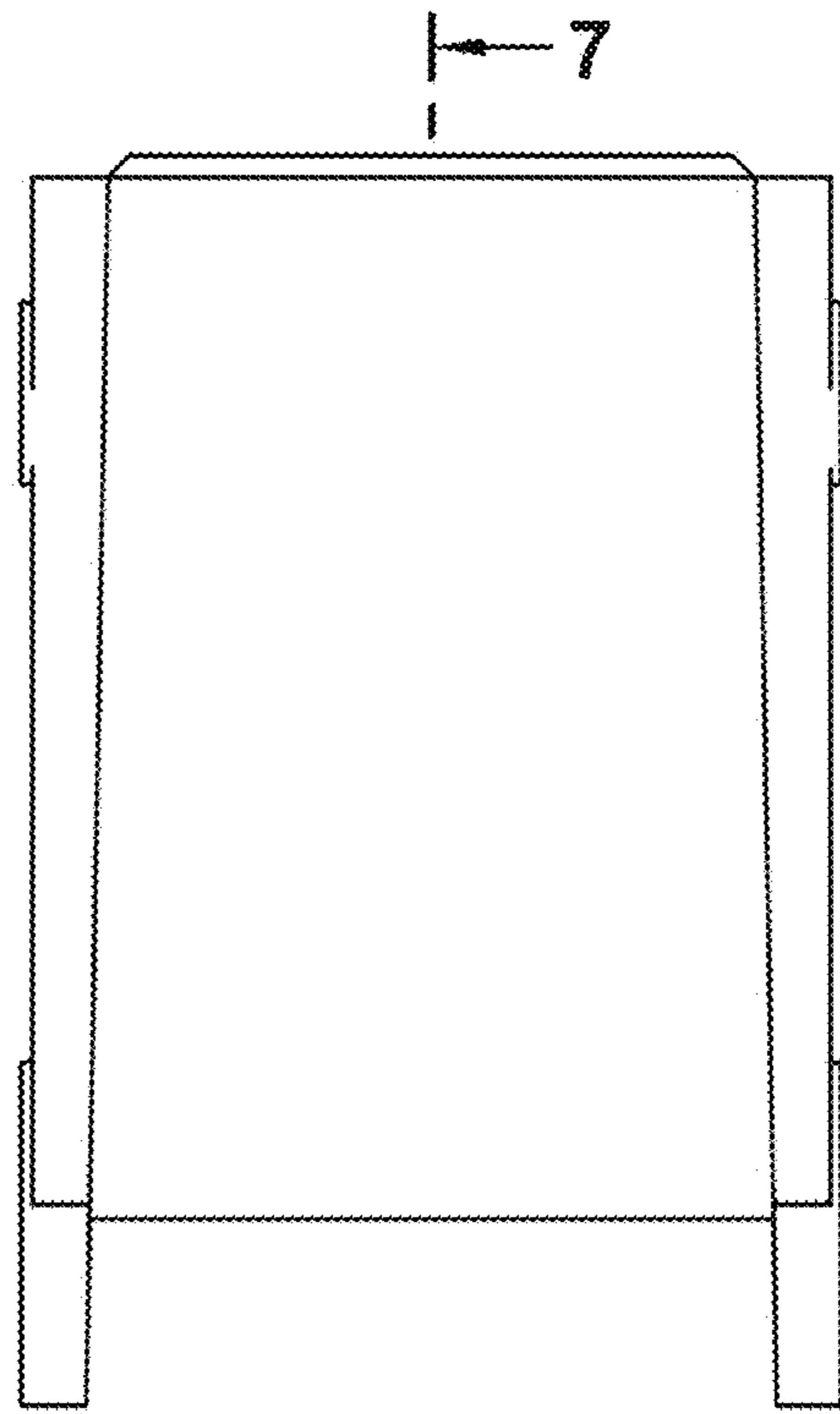


Fig. 1

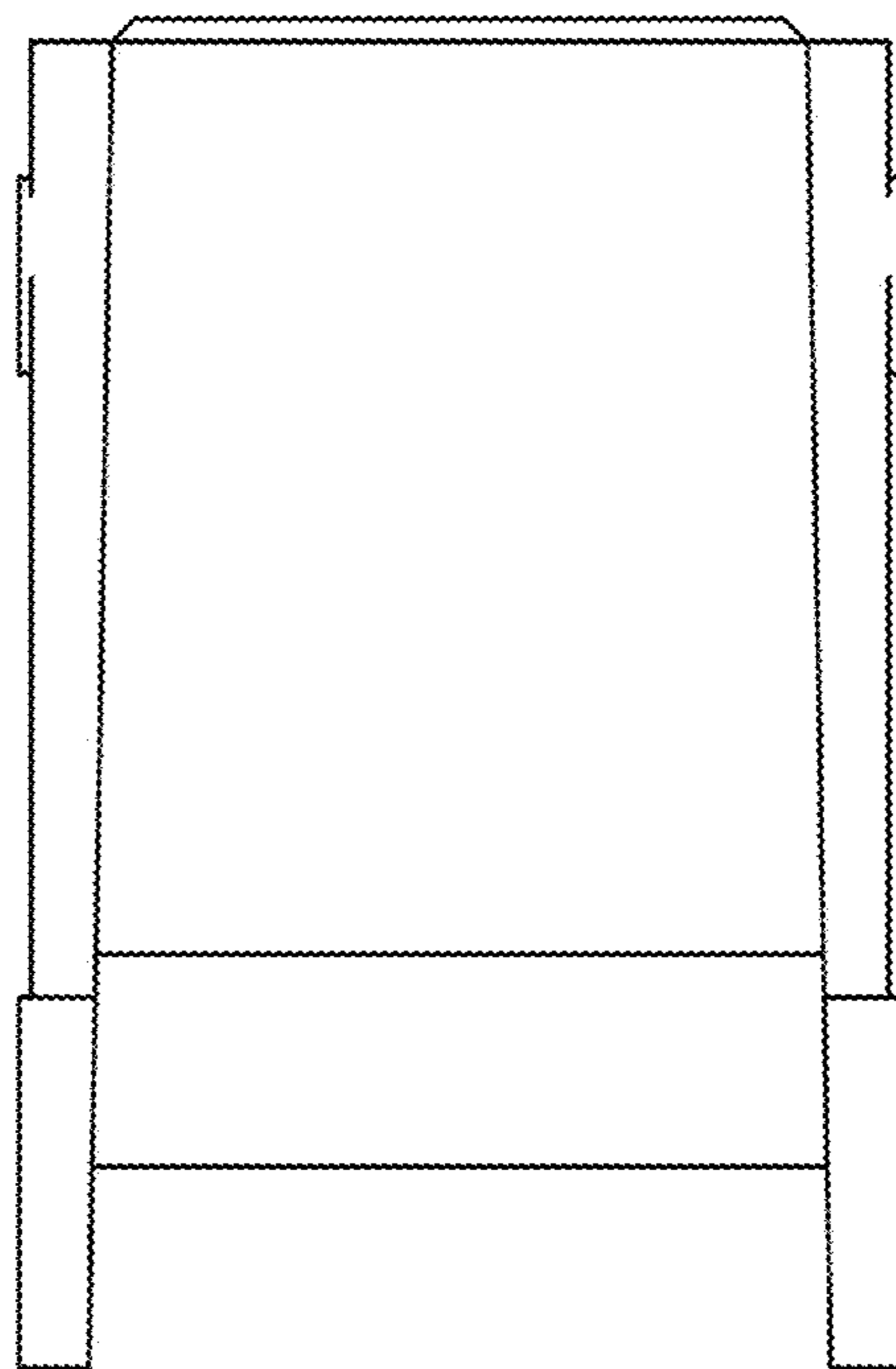


Fig. 2

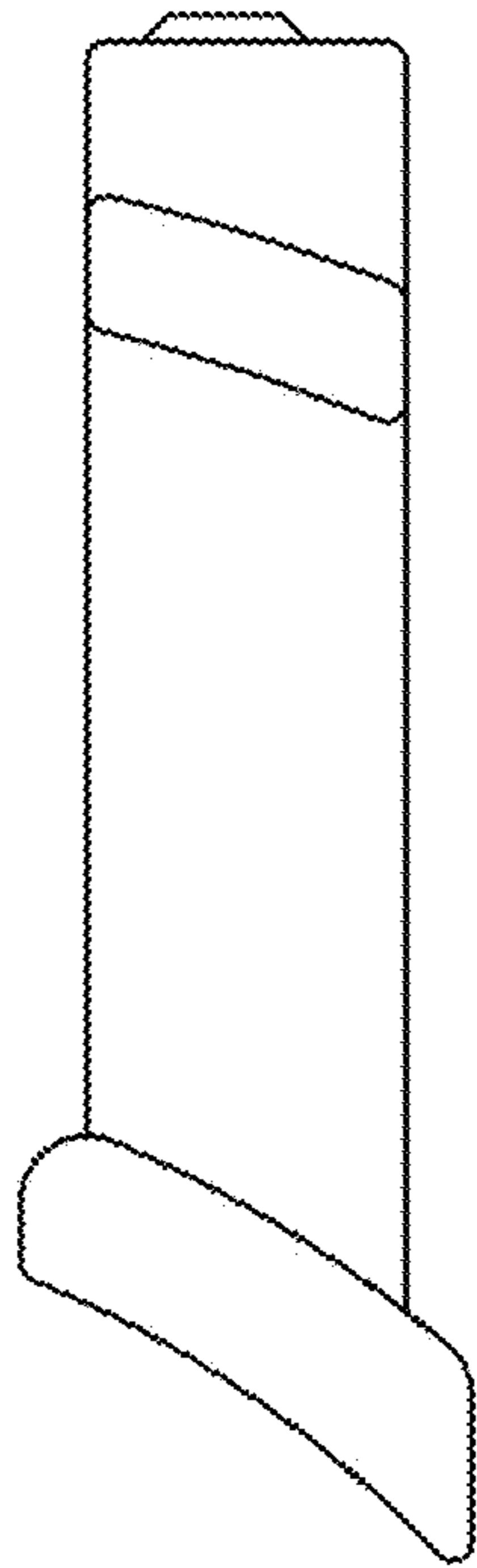


Fig. 3

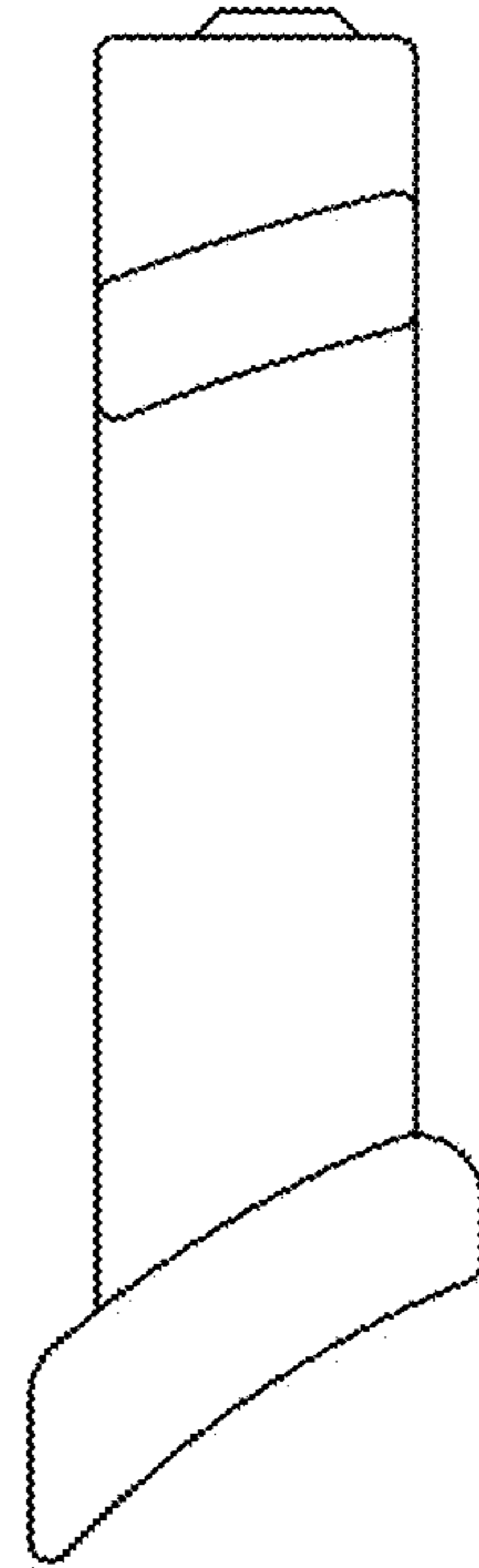


Fig. 4

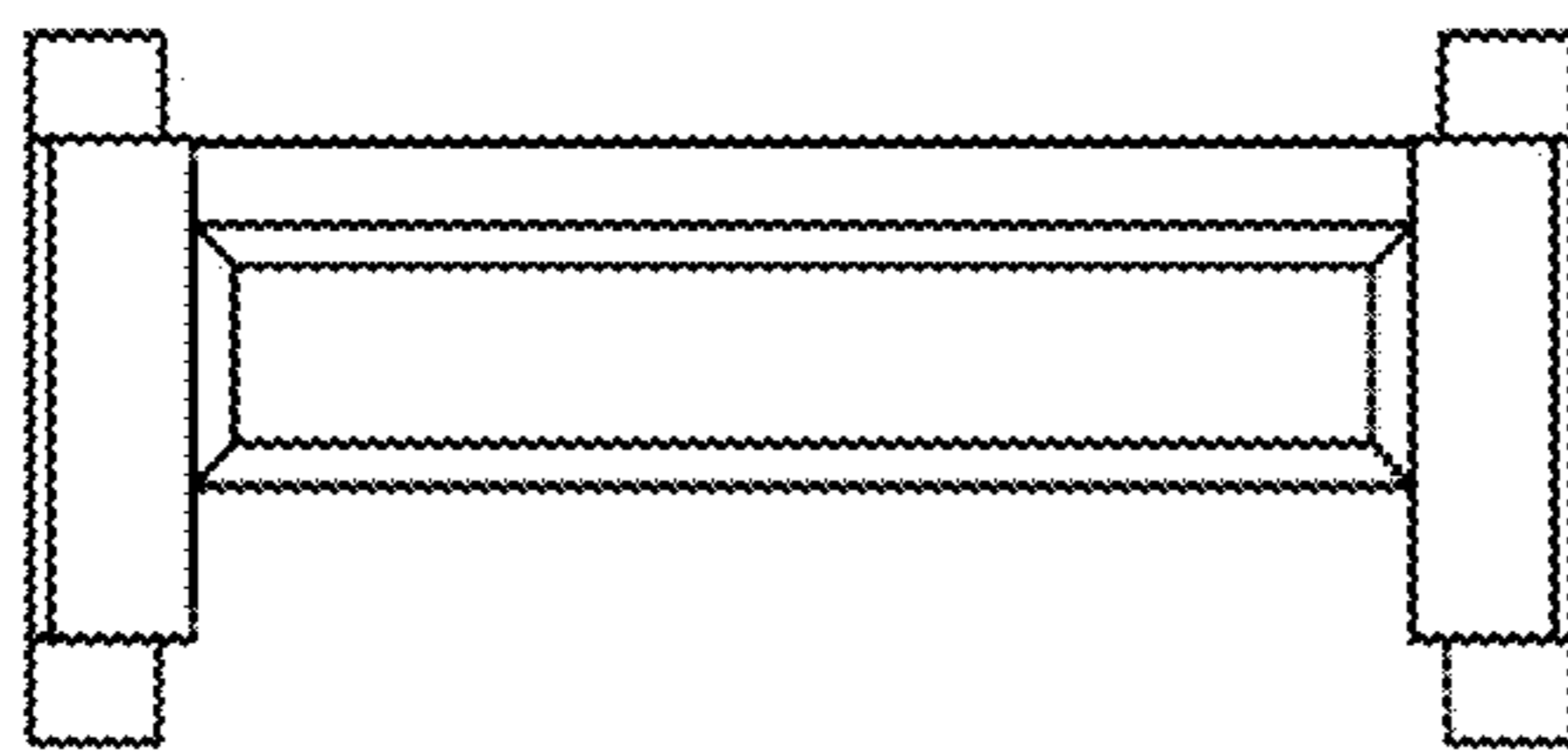


Fig. 5

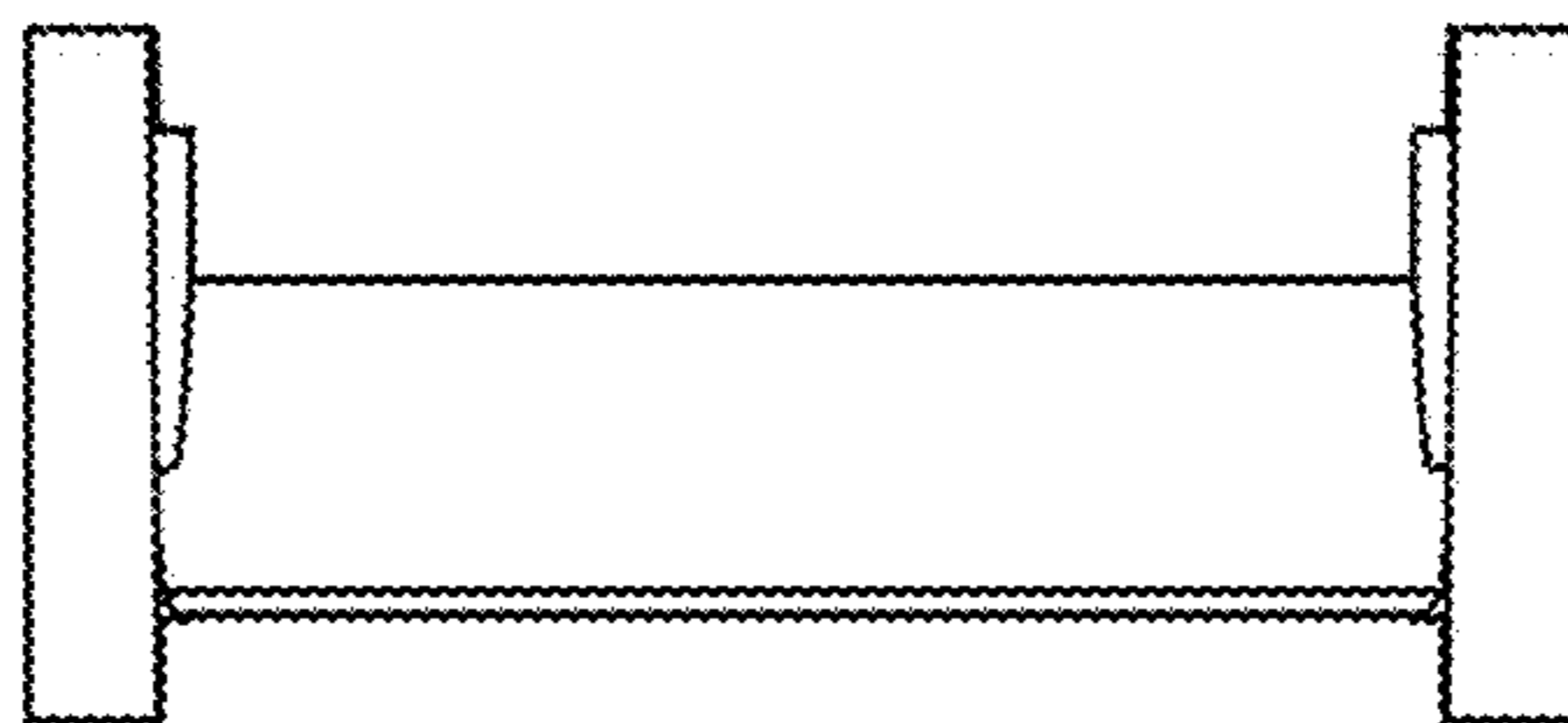


Fig. 6

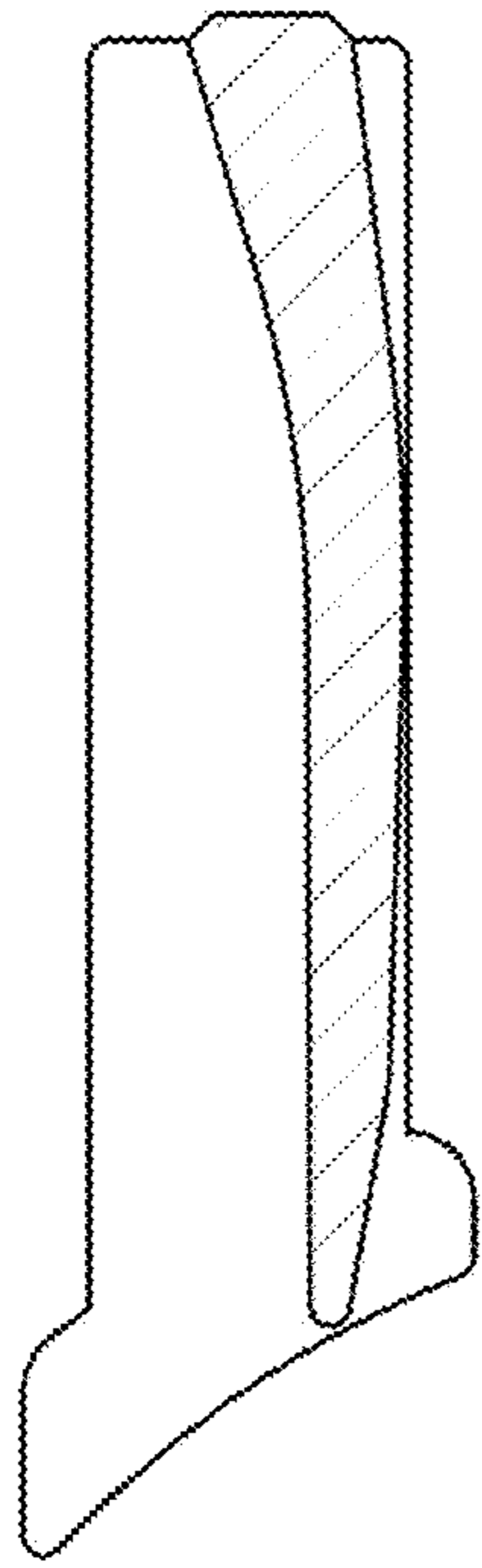


Fig. 7

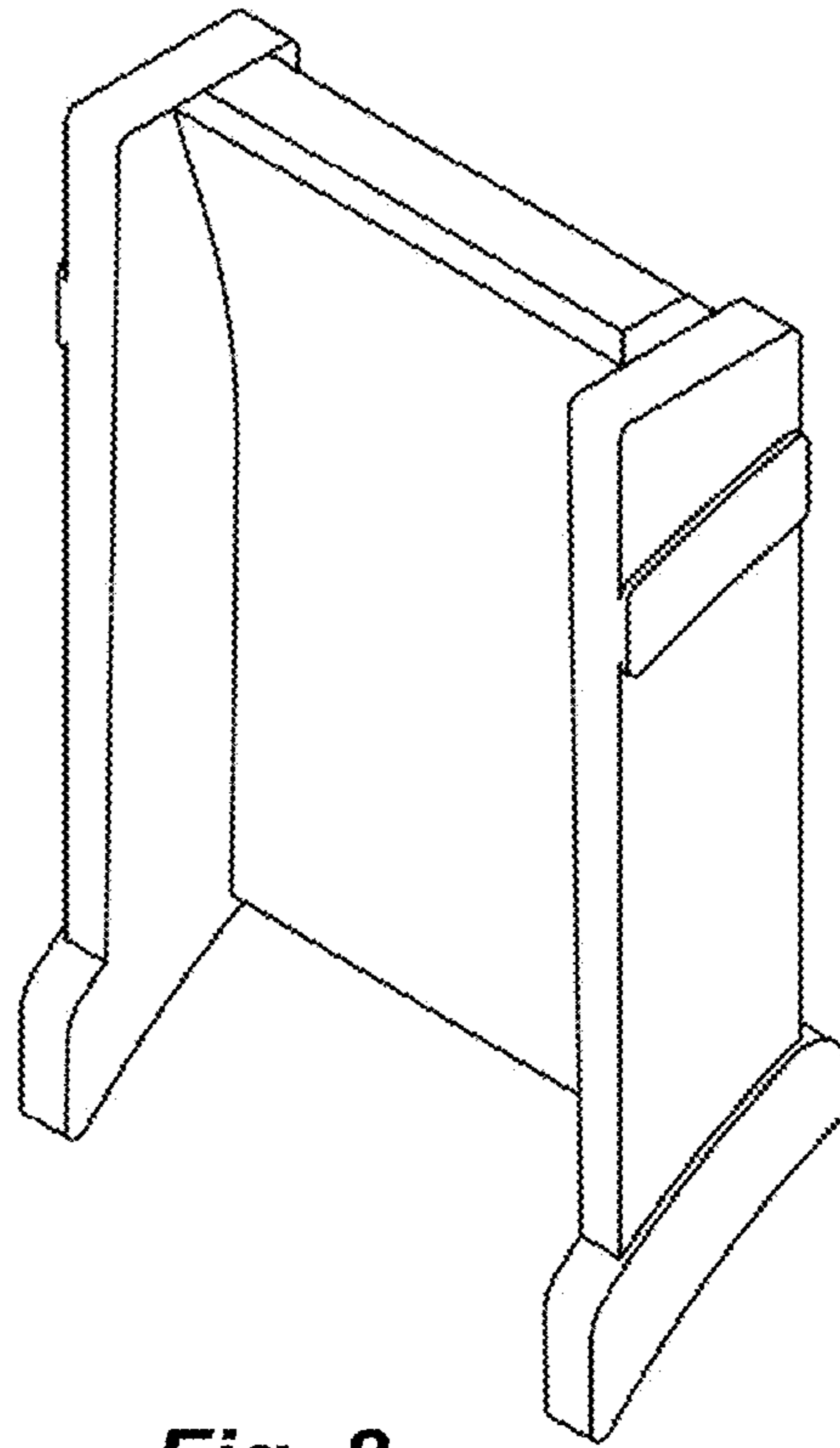


Fig. 8

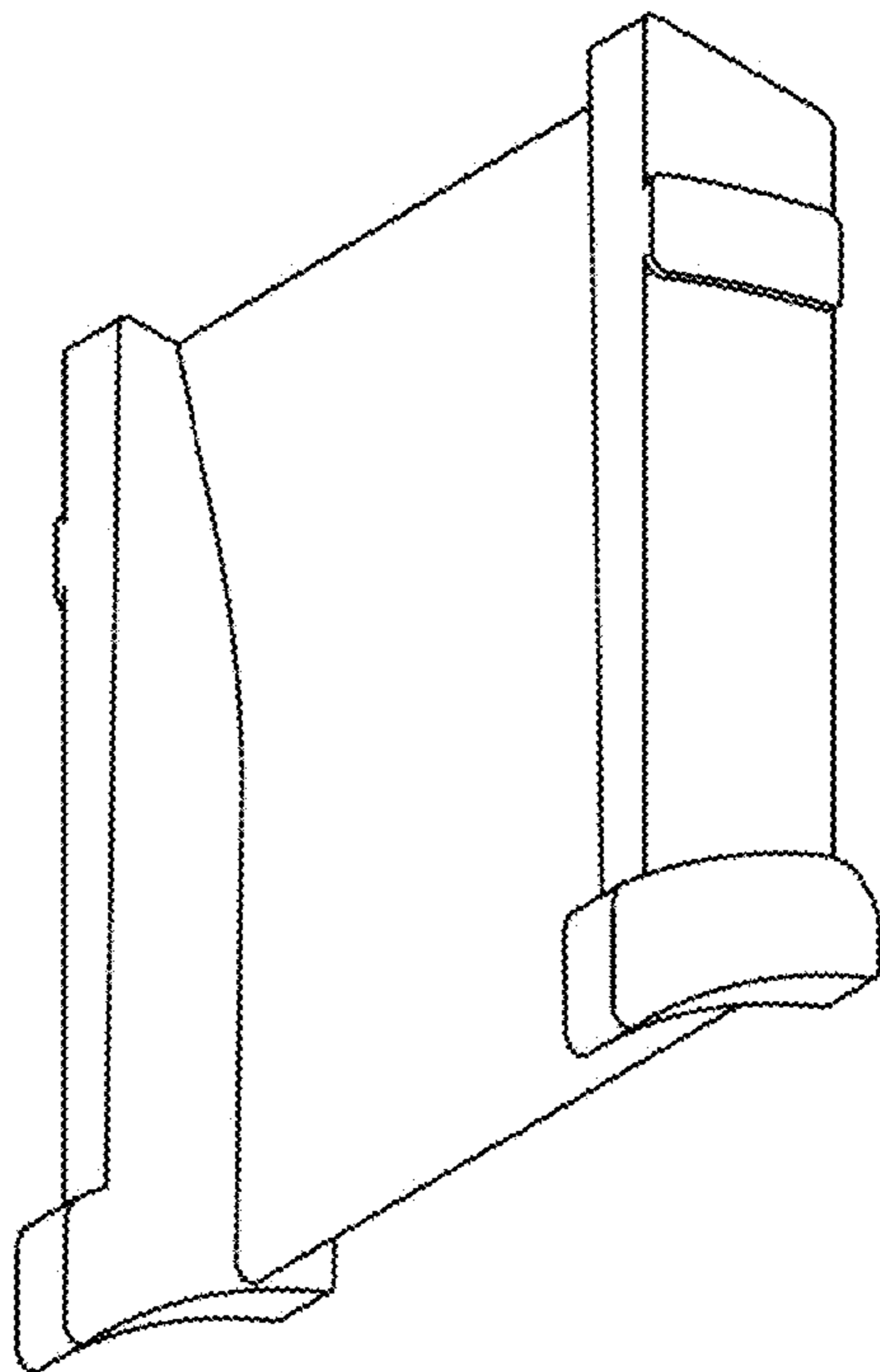


Fig. 9

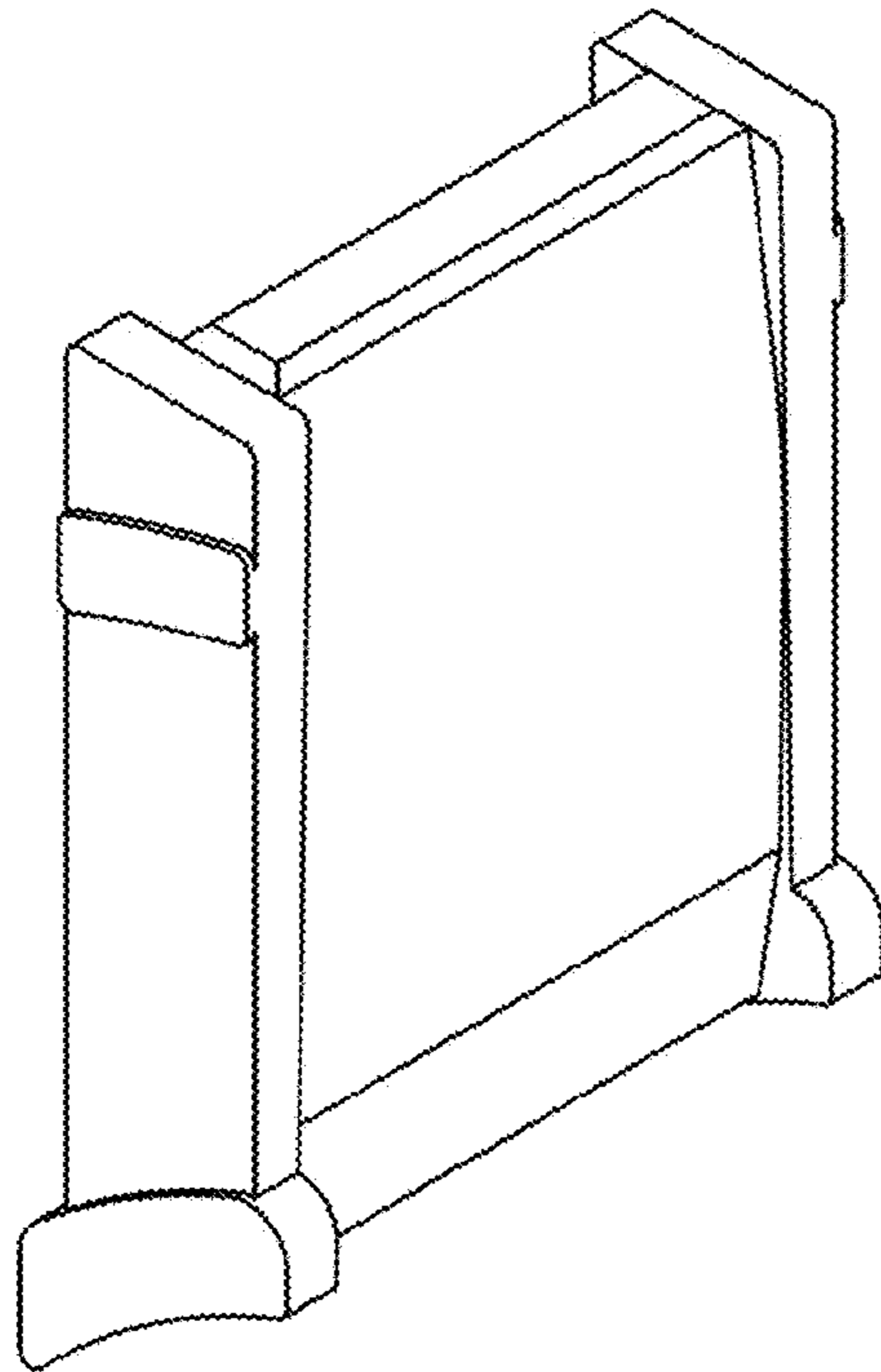


Fig. 10

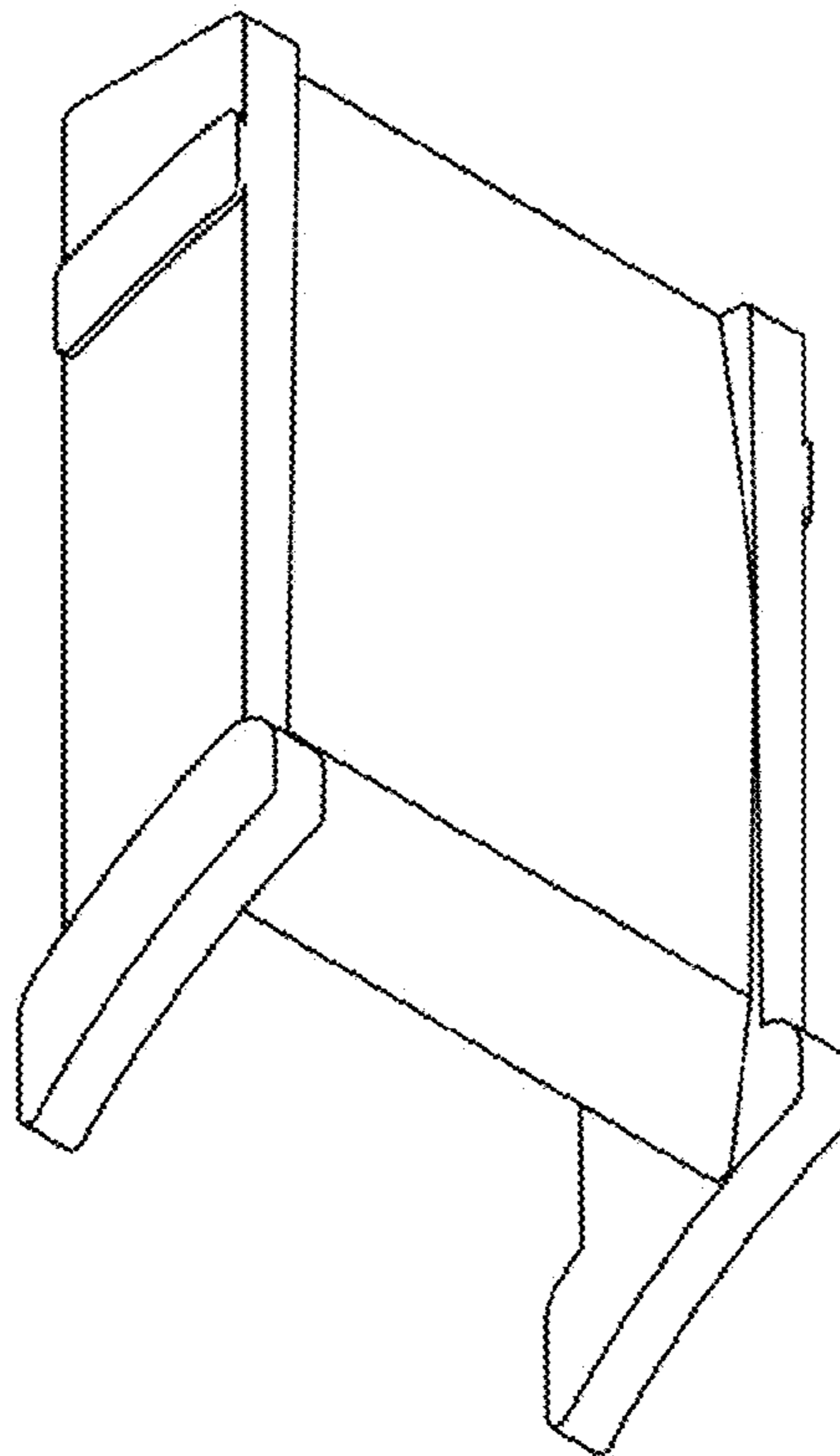


Fig. 11