



US00D742441S

(12) **United States Design Patent**  
**Johnston et al.**

(10) **Patent No.:** **US D742,441 S**

(45) **Date of Patent:** **\*\* Nov. 3, 2015**

(54) **PUNCH HOLDER**

(71) Applicant: **WILSON TOOL INTERNATIONAL INC.**, White Bear Lake, MN (US)

(72) Inventors: **Kevin A. Johnston**, Deer Park, WI (US);  
**Joseph Daniel Broadbent**, Stacy, MN (US); **Anthony D. Schwartz**, Forest Lake, MN (US)

(73) Assignee: **WILSON TOOL INTERNATIONAL INC.**, White Bear Lake, MN (US)

(\*\*) Term: **14 Years**

(21) Appl. No.: **29/455,531**

(22) Filed: **May 21, 2013**

(51) **LOC (10) Cl.** ..... **15-09**

(52) **U.S. Cl.**  
USPC ..... **D15/128**

(58) **Field of Classification Search**  
USPC ..... D15/128; D19/65, 72  
See application file for complete search history.

(56) **References Cited**

U.S. PATENT DOCUMENTS

4,273,015	A *	6/1981	Johnson	83/670
4,824,298	A	4/1989	Lippacher et al.	
4,989,484	A	2/1991	Johnson et al.	
5,017,157	A *	5/1991	Liu et al.	439/607.18
5,020,407	A	6/1991	Brinlee	
5,054,347	A	10/1991	Johnson et al.	
5,056,392	A	10/1991	Johnson et al.	
5,316,323	A	5/1994	Jovanovic	
5,752,424	A	5/1998	Rosene et al.	
5,839,341	A	11/1998	Johnson et al.	
5,884,546	A	3/1999	Johnson et al.	
6,082,516	A	7/2000	Willer	
6,276,247	B1	8/2001	Helda	
D458,308	S *	6/2002	Hsuan	D19/72
6,782,787	B2	8/2004	Morehead et al.	
6,895,797	B2	5/2005	Lowry et al.	

7,007,582	B2	3/2006	Iwamoto et al.	
D526,667	S *	8/2006	Sakamoto et al.	D15/128
7,156,009	B2	1/2007	Iwamoto et al.	
D615,569	S *	5/2010	Greenleaf	D15/128

(Continued)

FOREIGN PATENT DOCUMENTS

DE	19505754	C1	5/1996
FR	2012207	A1	3/1970

OTHER PUBLICATIONS

ISR and Written Opinion corresponding to PCT Application PCT/US2014/038704, mailed Feb. 20, 2015, 17 pages.

*Primary Examiner* — Patricia Palasik

(74) *Attorney, Agent, or Firm* — Fredrikson & Byron, P.A.

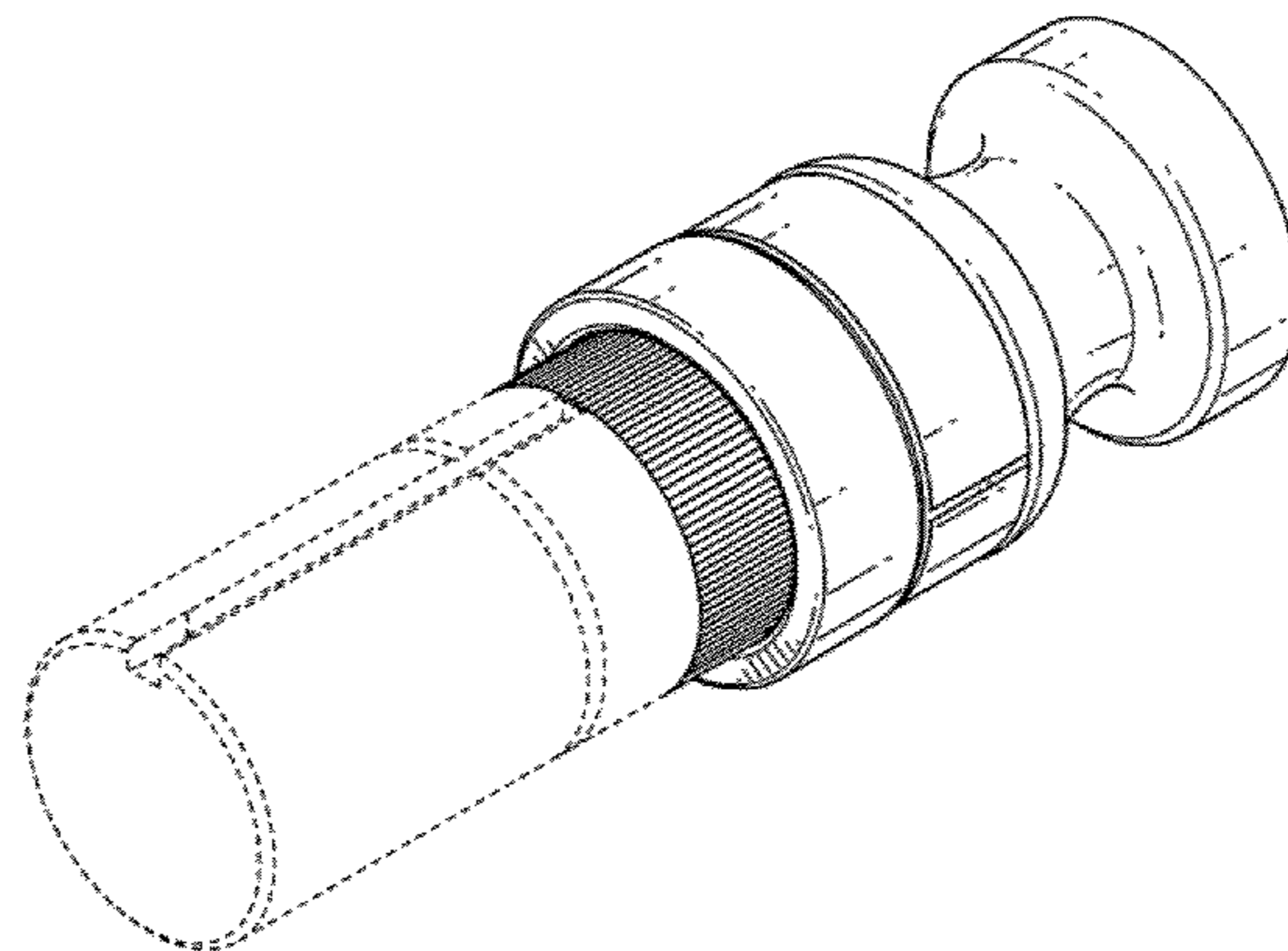
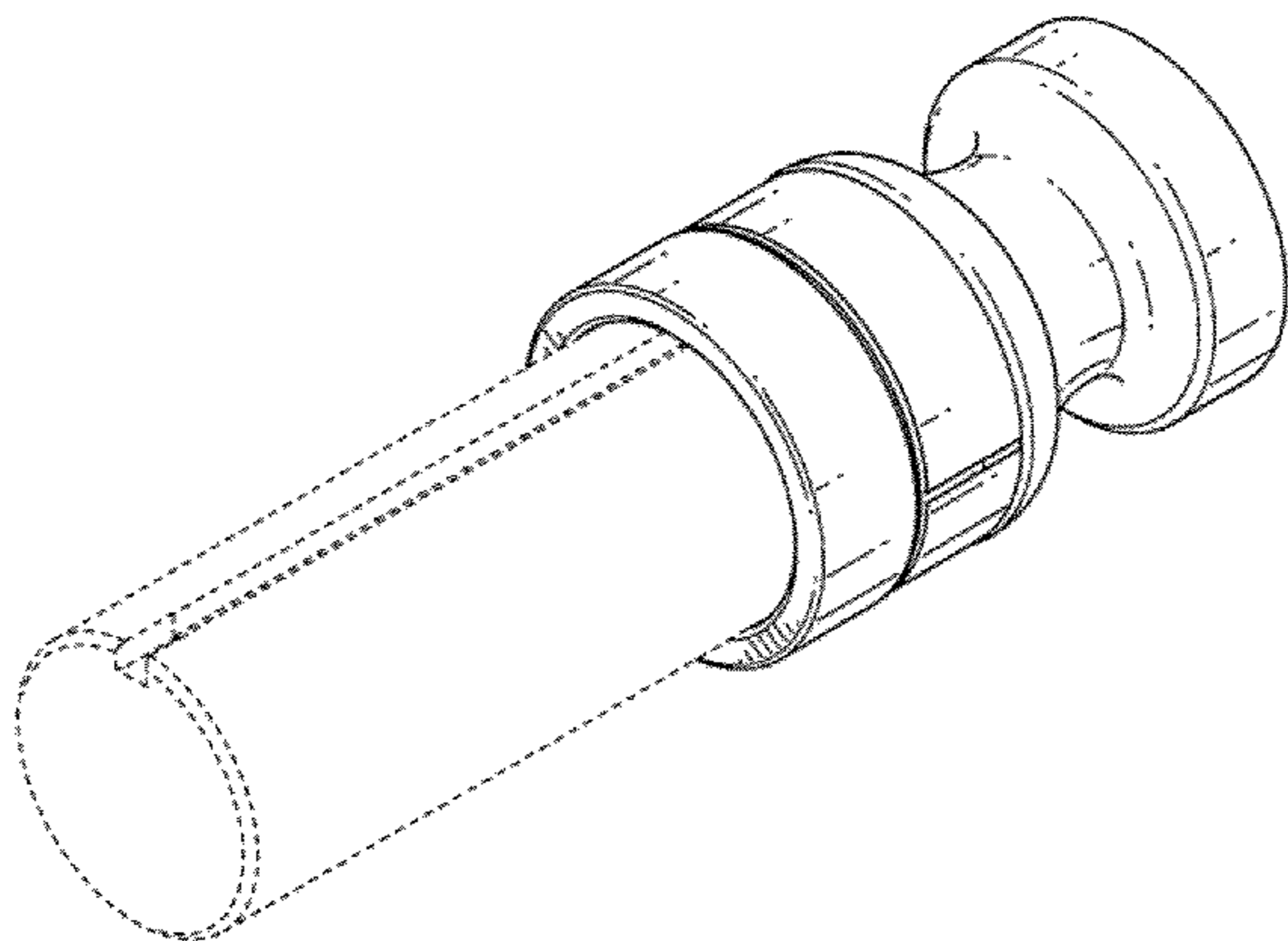
(57) **CLAIM**

We claim the ornamental design for a punch holder, as shown and described.

**DESCRIPTION**

FIG. 1 is a perspective of our new design for a punch holder; FIG. 2 is front view thereof; FIG. 3 is a left side view thereof; FIG. 4 is a right side view thereof; FIG. 5 is a rear side view thereof; FIG. 6 is a top view thereof; FIG. 7 is a bottom view thereof; FIG. 8 is a perspective of a second embodiment of our new design for a punch holder; FIG. 9 is front view thereof; FIG. 10 is a left side view thereof; FIG. 11 is a right side view thereof; FIG. 12 is a rear side view thereof; FIG. 13 is a top view thereof; and, FIG. 14 is a bottom view thereof. The broken lines showing the bottom portion of the punch holder form no part of the claimed design.

**1 Claim, 4 Drawing Sheets**



(56)

**References Cited**

U.S. PATENT DOCUMENTS

7,726,554	B2 *	6/2010	Thielges et al. ....	234/43	2007/0180723	A1 *	8/2007	Morgan .....	33/645
7,926,399	B2	4/2011	Huang et al.		2007/0193323	A1 *	8/2007	Coelho et al. ....	72/55
7,975,587	B2	7/2011	Schneider		2008/0314220	A1 *	12/2008	Ferry et al. ....	83/684
D665,832	S *	8/2012	Nguyen .....	D15/128	2009/0223032	A1 *	9/2009	Huang et al. ....	29/525.01
D690,332	S *	9/2013	Morehead et al. ....	D15/128	2009/0266209	A1	10/2009	Thielges et al.	
D690,333	S *	9/2013	Morehead et al. ....	D15/128	2010/0132530	A1	6/2010	Chen	
D694,788	S *	12/2013	Carper .....	D15/128	2011/0203417	A1 *	8/2011	Hill, III .....	81/44
					2013/0118331	A1 *	5/2013	Morehead et al. ....	83/686
					2013/0288743	A1 *	10/2013	Hunt et al. ....	455/556.1
					2013/0319200	A1 *	12/2013	Johnston et al. ....	83/698.91

\* cited by examiner

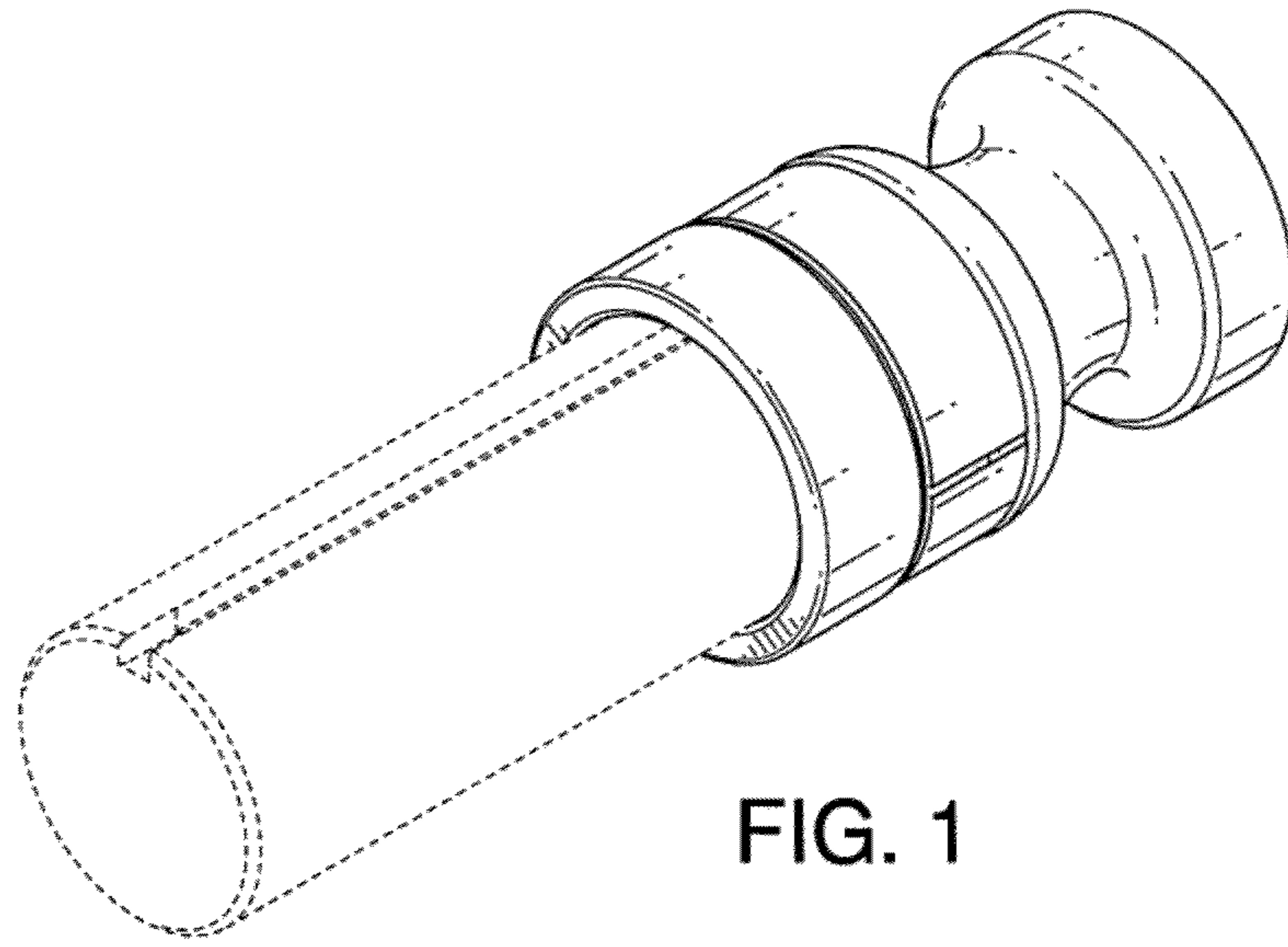


FIG. 1

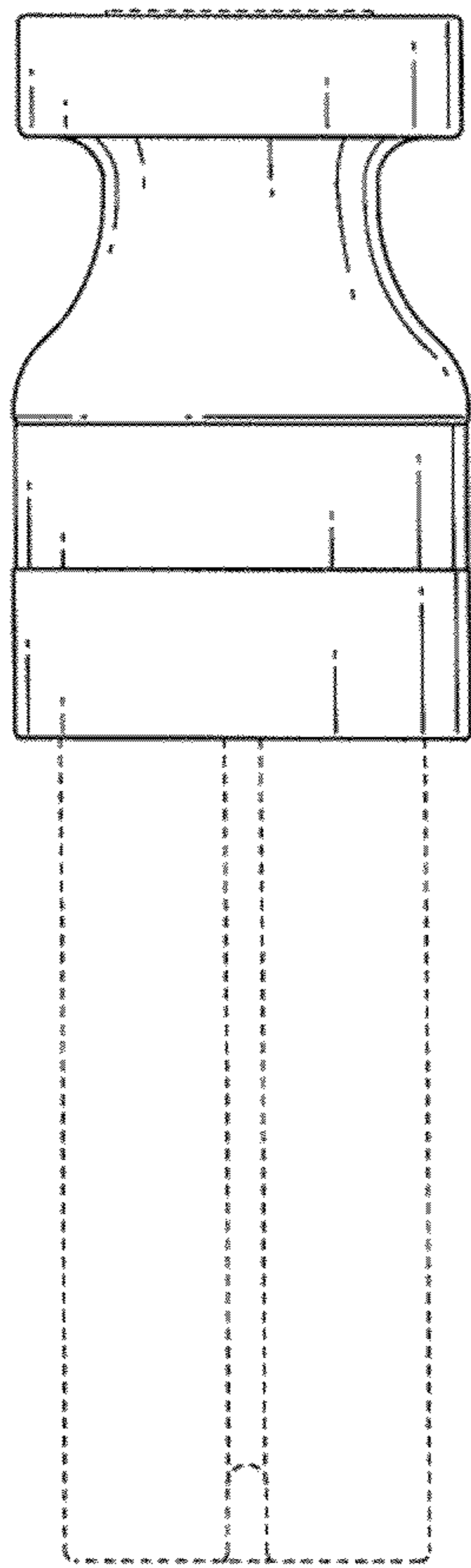


FIG. 2

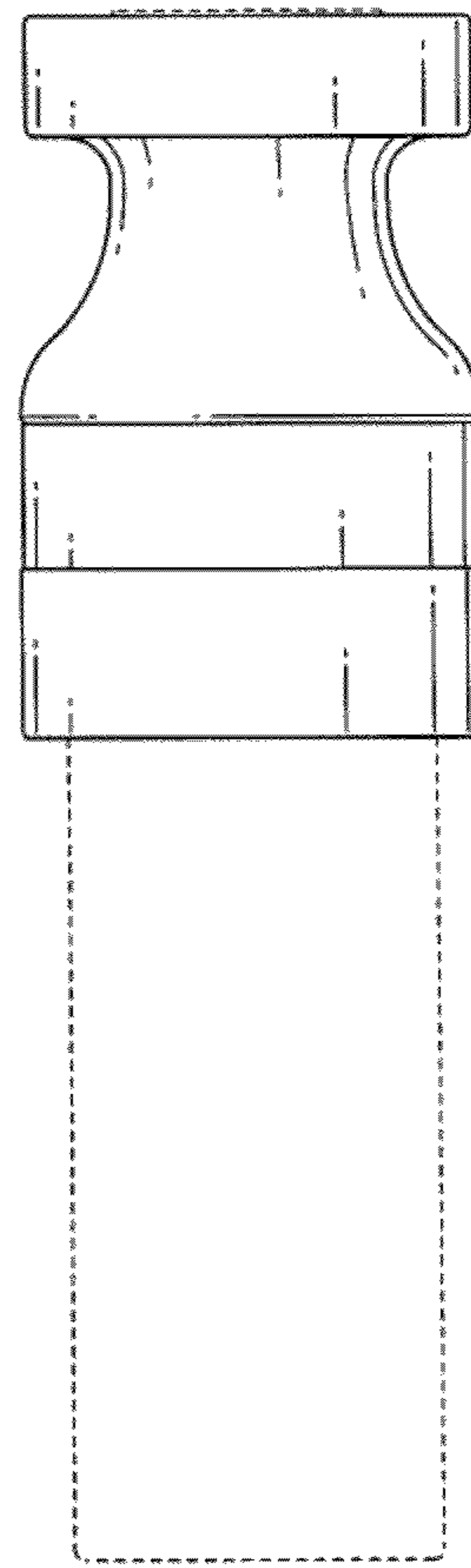


FIG. 3



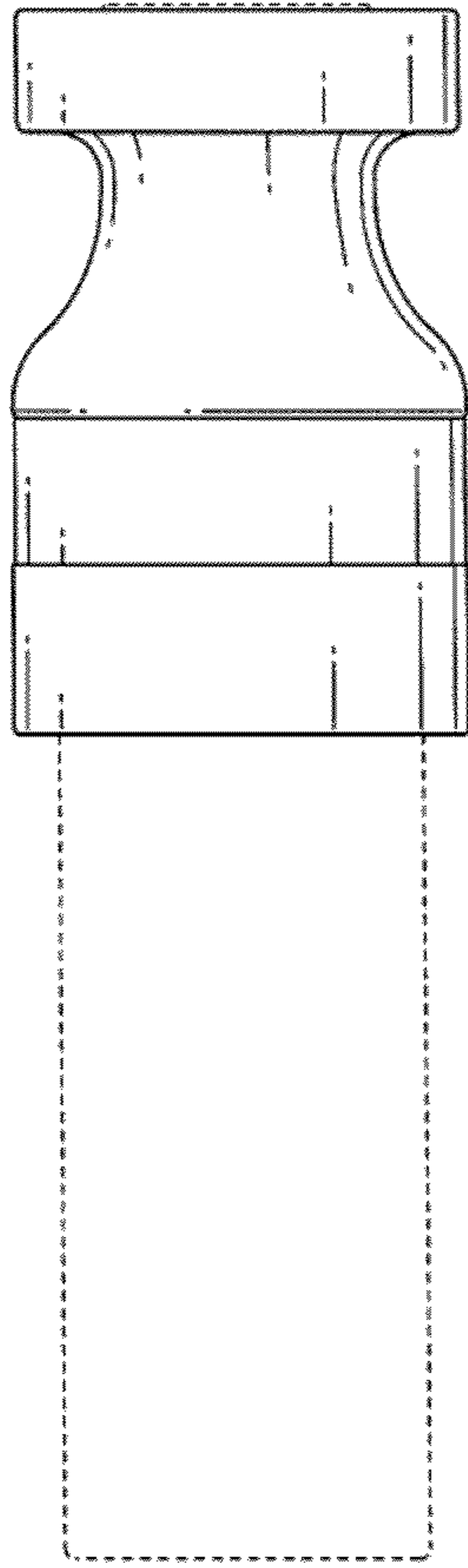


FIG. 4

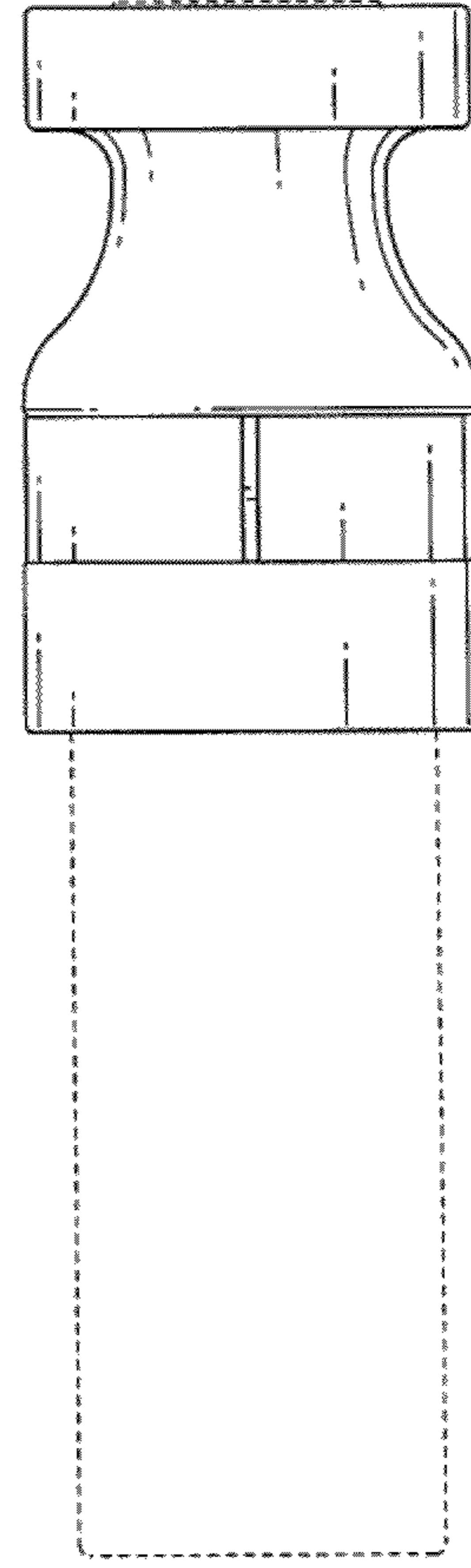


FIG. 5

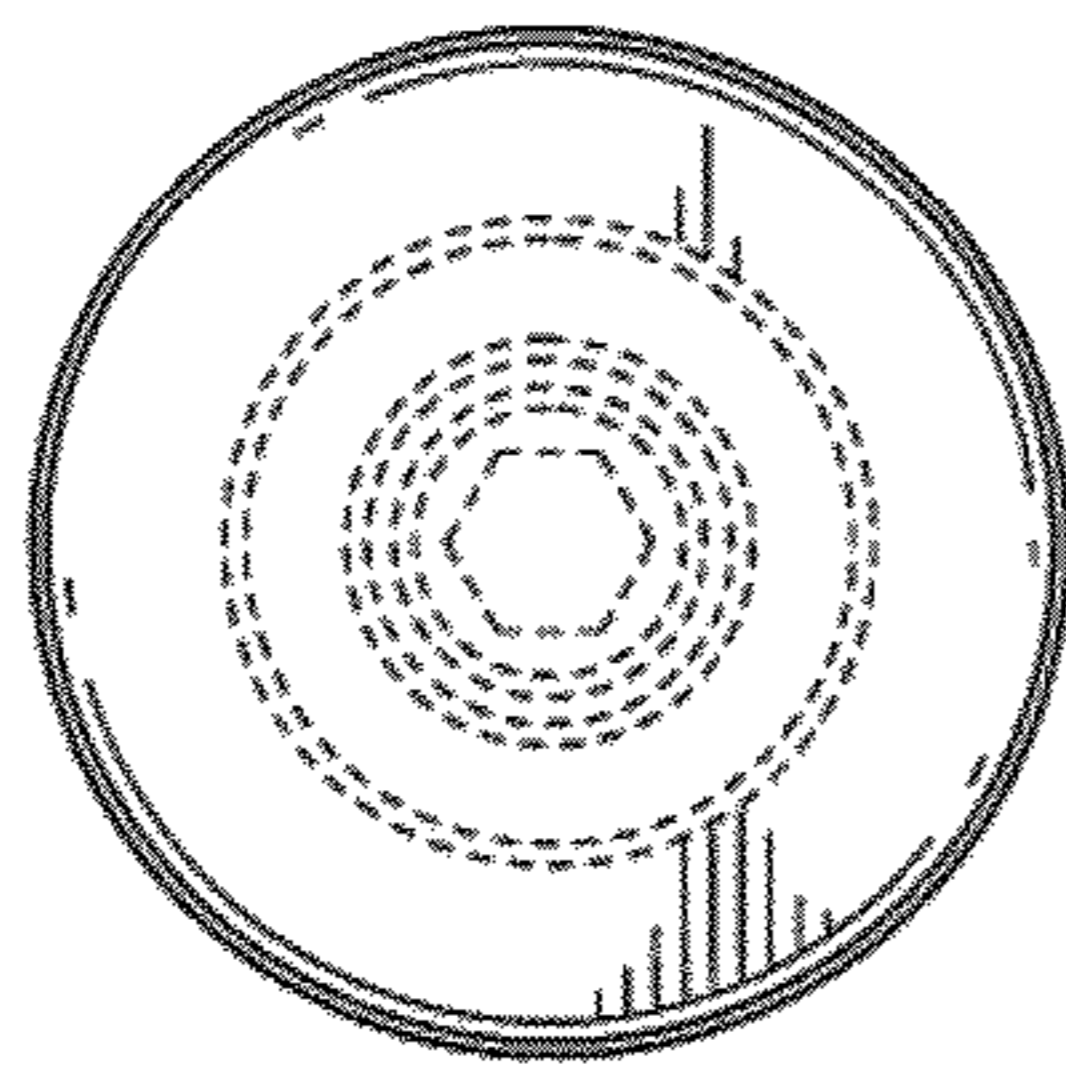


FIG. 6

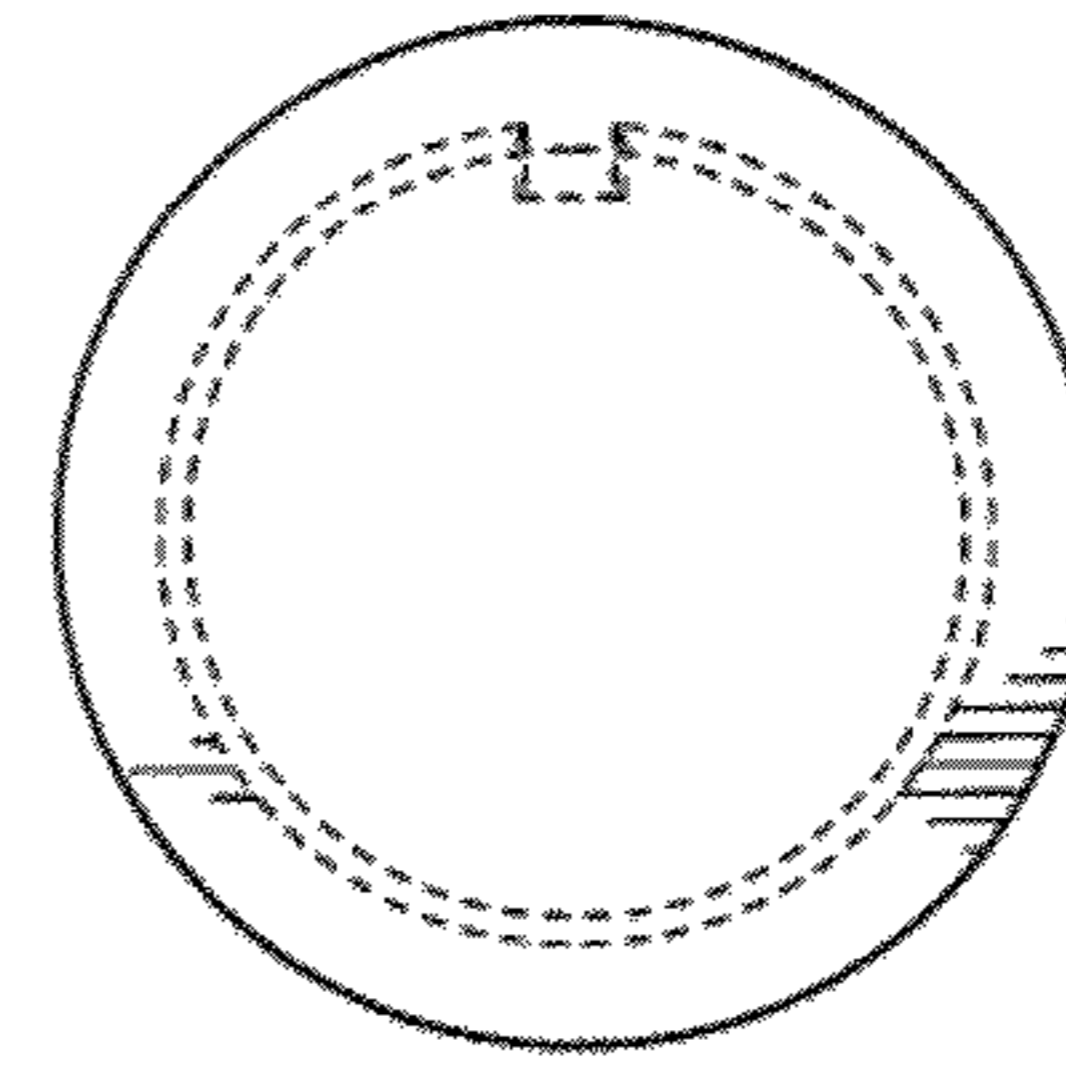


FIG. 7

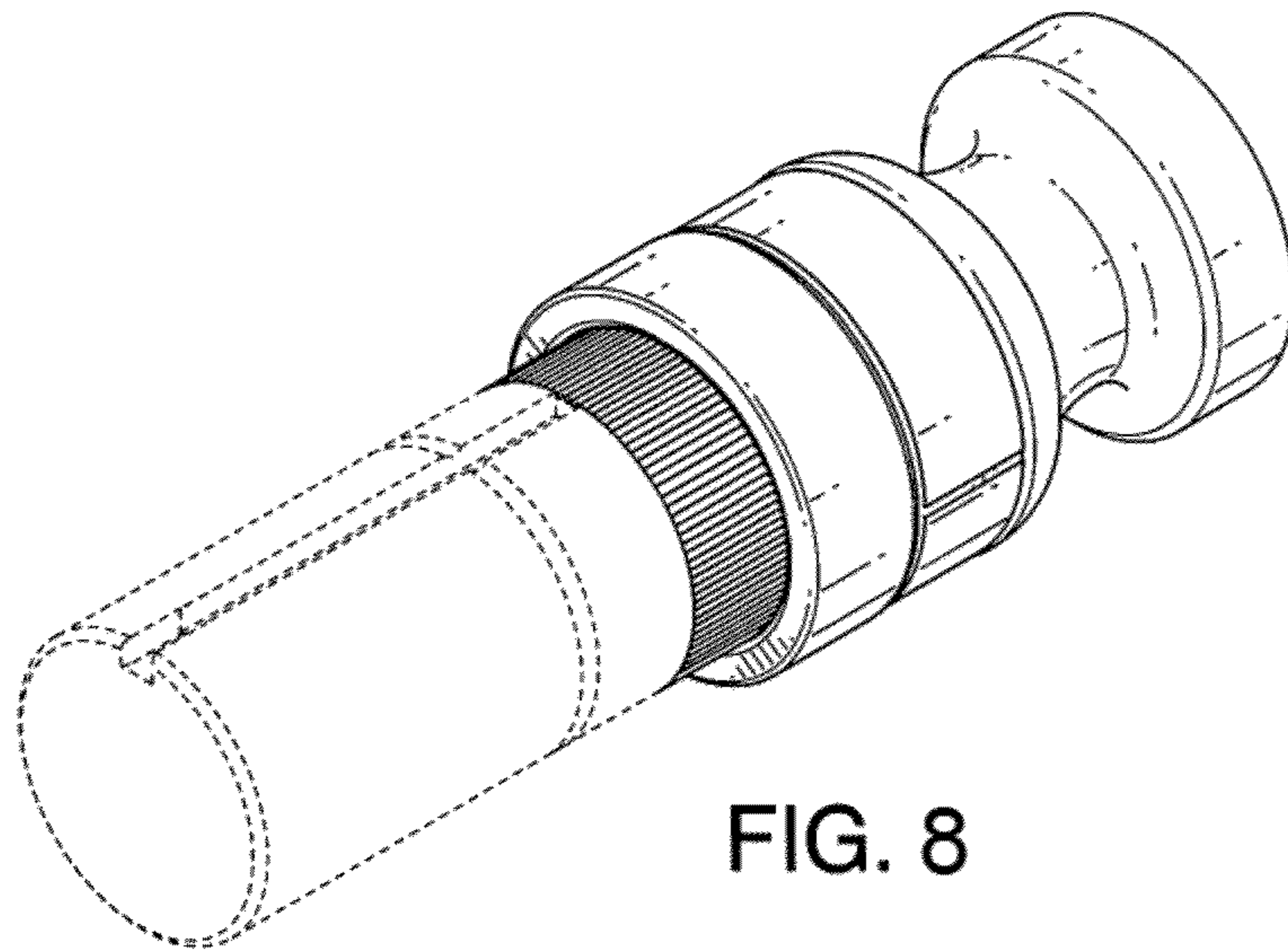


FIG. 8

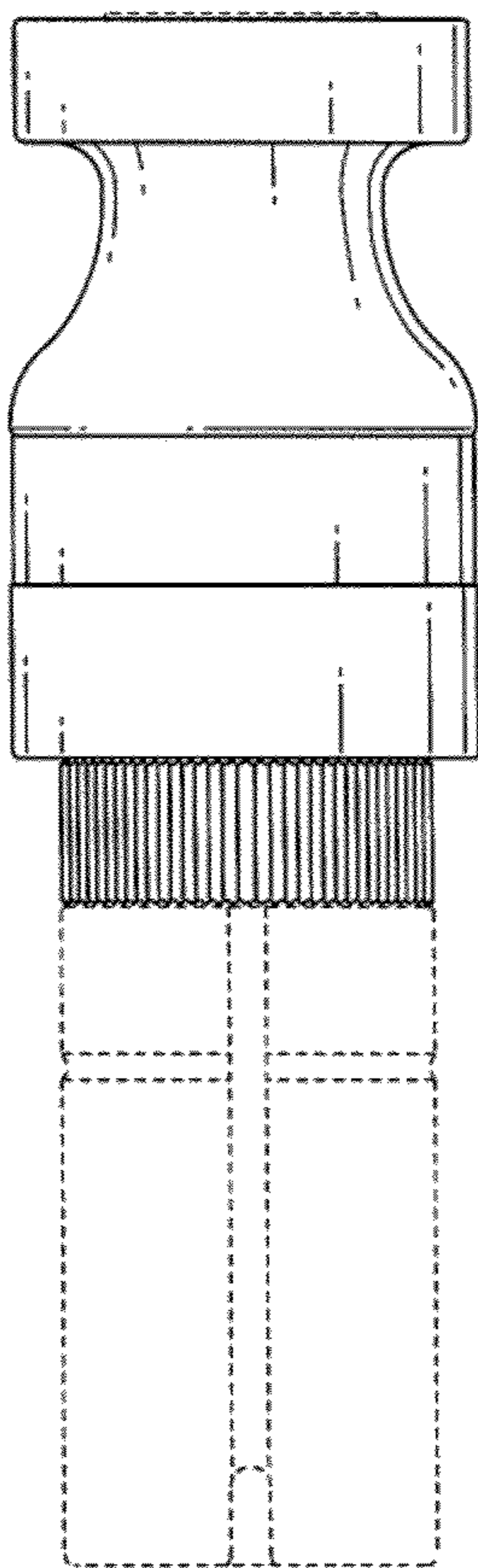


FIG. 9

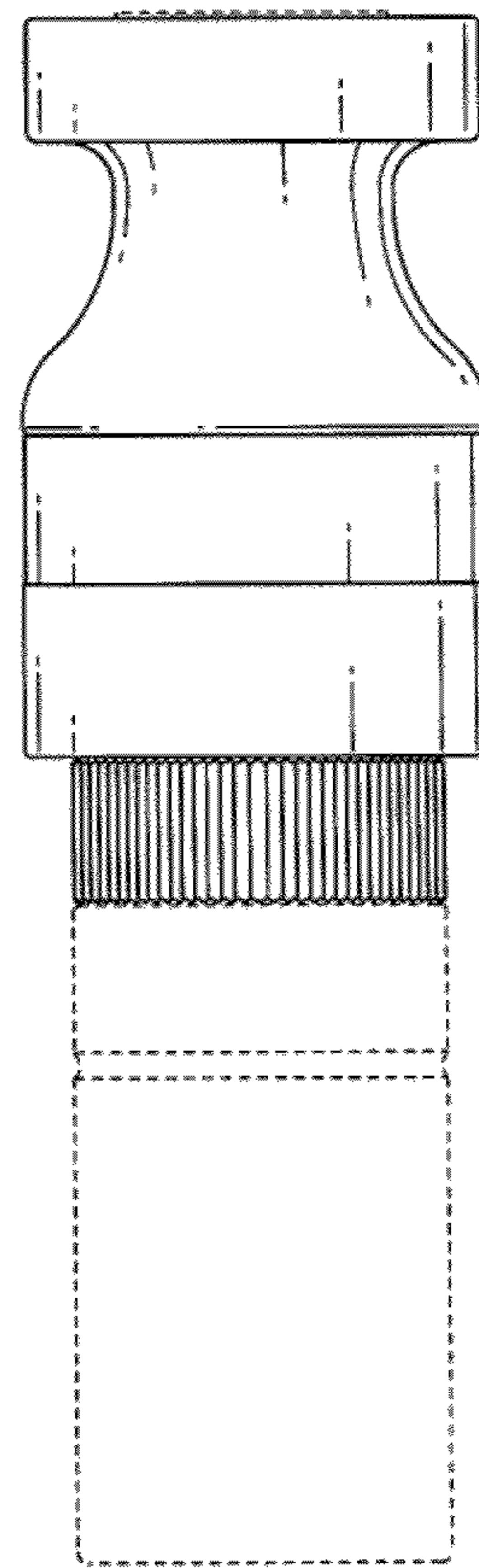


FIG. 10

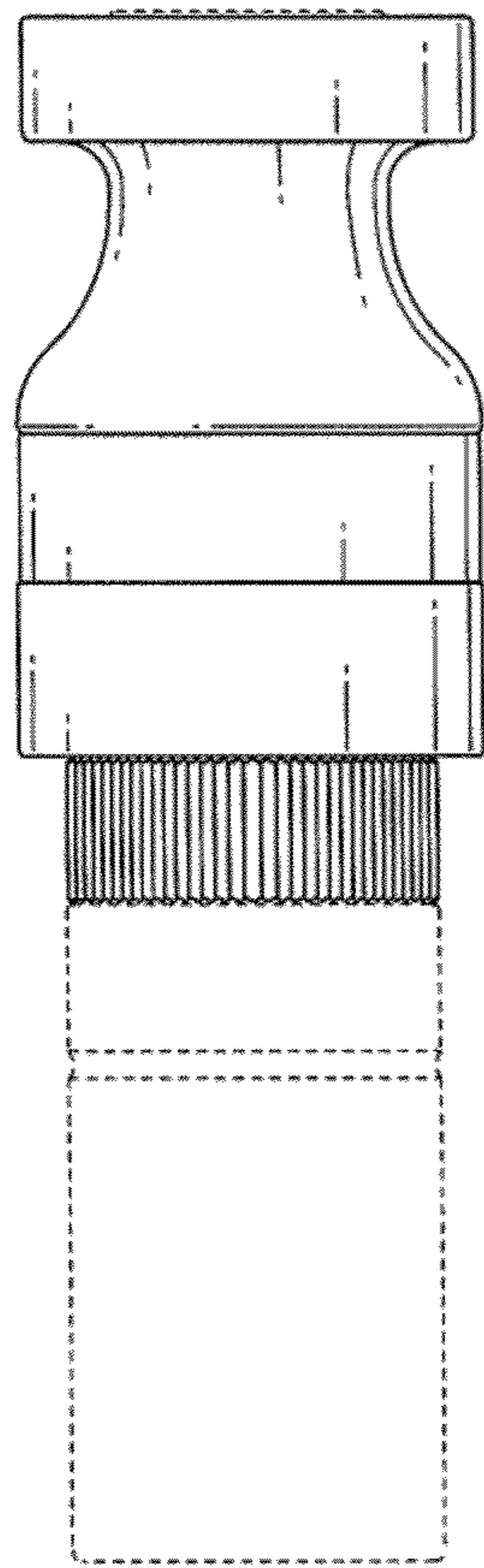


FIG. 11

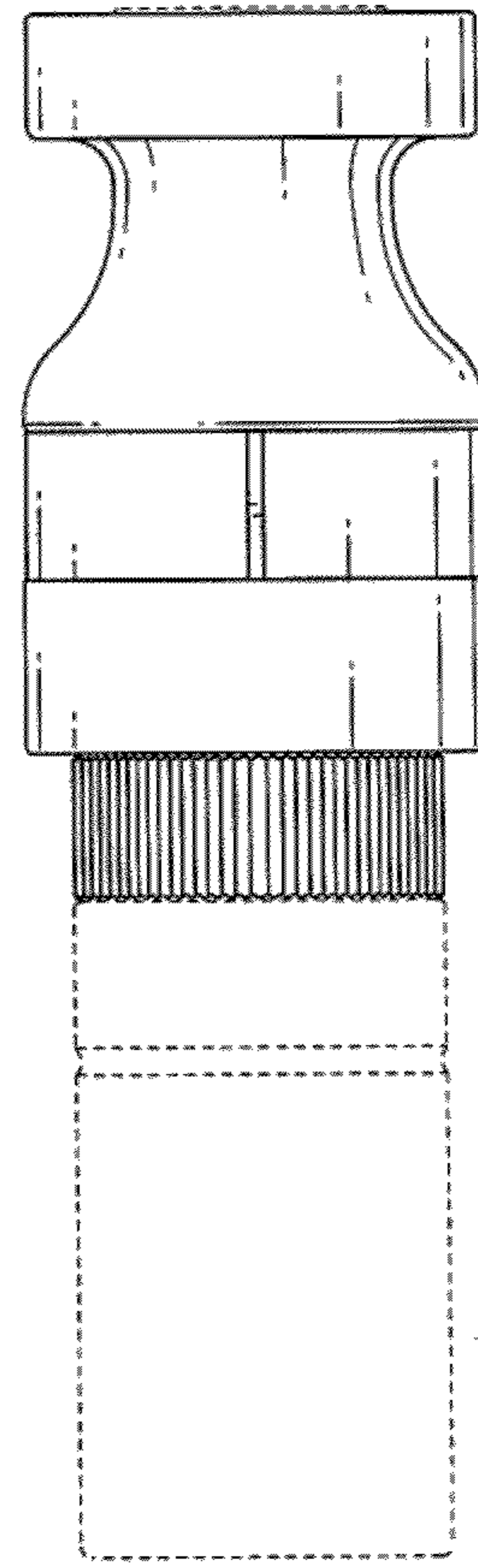


FIG. 12

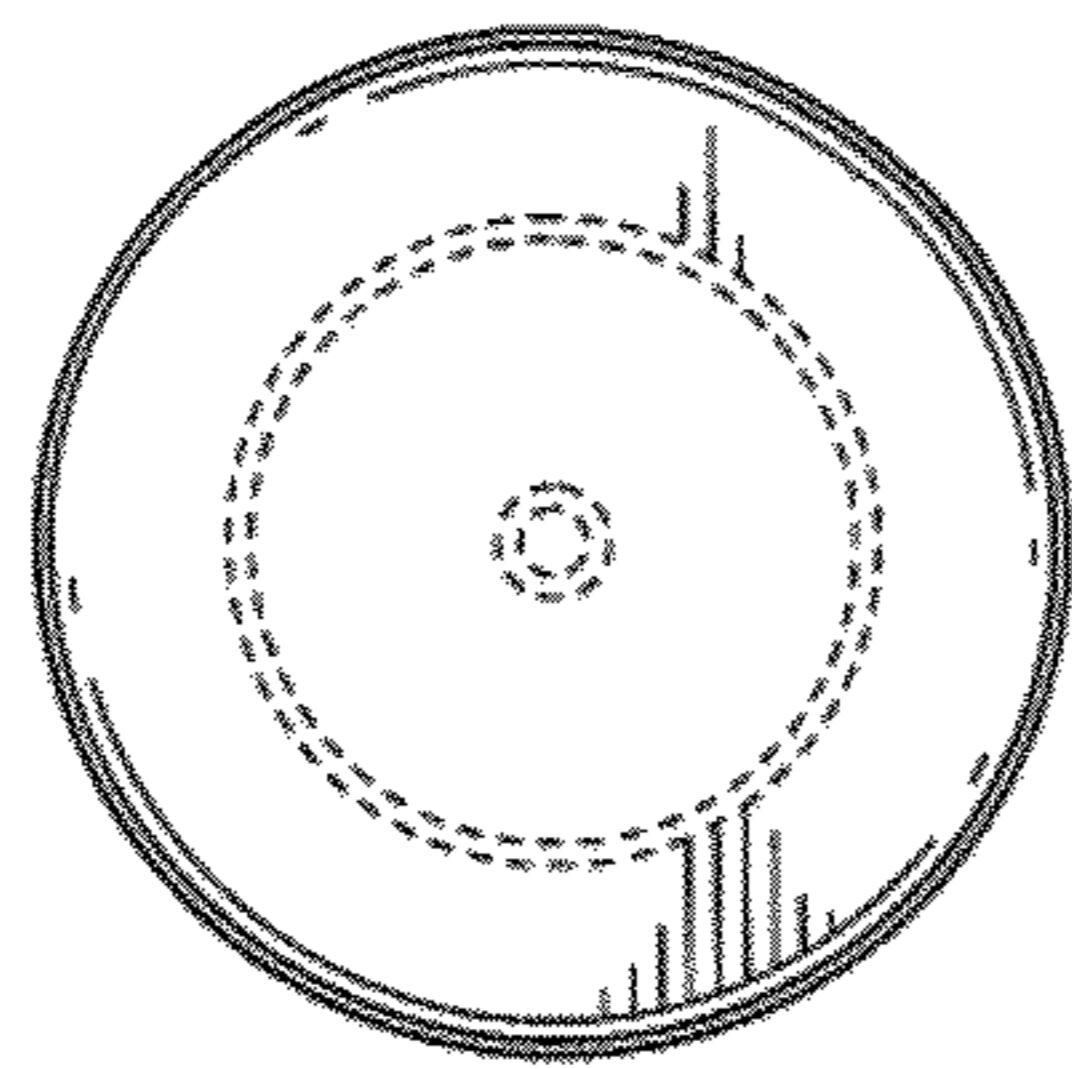


FIG. 13

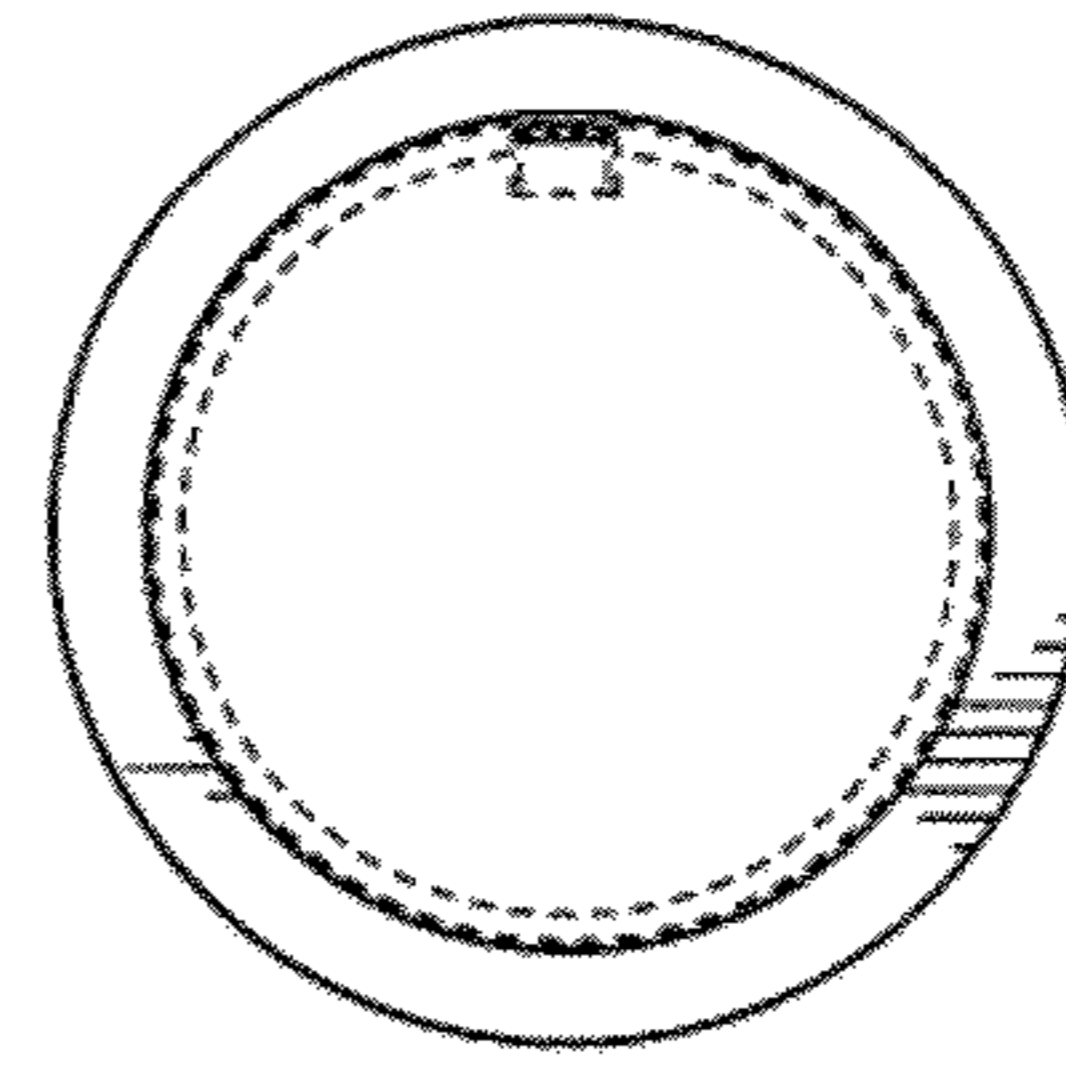


FIG. 14