

US00D742440S

(12) **United States Design Patent**
Lee et al.

(10) **Patent No.:** **US D742,440 S**
(45) **Date of Patent:** **** Nov. 3, 2015**

(54) **ELECTRICAL DISCHARGE MACHINE**

(71) Applicant: **MITSUBISHI ELECTRIC CORPORATION**, Tokyo (JP)

(72) Inventors: **Hongkue Lee**, Tokyo (JP); **Takanori Miyake**, Tokyo (JP); **Hiroichiro Shimano**, Tokyo (JP); **Shinichi Kato**, Tokyo (JP); **Yuki Mizushi**, Tokyo (JP)

(73) Assignee: **Mitsubishi Electric Corporation**, Tokyo (JP)

(**) Term: **14 Years**

(21) Appl. No.: **29/513,497**

(22) Filed: **Dec. 31, 2014**

(30) **Foreign Application Priority Data**

Jul. 17, 2014 (JP) 2014-015645
Jul. 17, 2014 (JP) 2014-015647

(51) **LOC (10) Cl.** **15-09**

(52) **U.S. Cl.**
USPC **D15/127; D15/122**

(58) **Field of Classification Search**
USPC D15/122, 127
See application file for complete search history.

(56) **References Cited**

U.S. PATENT DOCUMENTS

4,367,129 A * 1/1983 Inoue 205/665
5,175,408 A * 12/1992 Takashima 219/69.14
D347,013 S * 5/1994 Taguchi et al. D15/145
D388,103 S * 12/1997 Gotou et al. D15/127
D415,175 S * 10/1999 Lin D15/127
D427,614 S * 7/2000 Miyake et al. D15/127

D428,025 S * 7/2000 Miyake et al. D15/127
6,246,024 B1 * 6/2001 Hosaka 219/69.12
6,396,022 B1 * 5/2002 Suzuki 219/69.15
D510,942 S * 10/2005 Kuriki et al. D15/127
D542,311 S * 5/2007 Inaba et al. D15/127
D544,003 S * 6/2007 Inaba et al. D15/127
D551,268 S * 9/2007 Iwamoto et al. D15/127
D668,277 S * 10/2012 Miyake et al. D15/127
D668,278 S * 10/2012 Miyake et al. D15/127
D716,857 S * 11/2014 Shimano et al. D15/127

* cited by examiner

Primary Examiner — Patricia Palasik

(74) *Attorney, Agent, or Firm* — Studebaker & Brackett PC

(57) **CLAIM**

The ornamental design for an electrical discharge machine, as shown and described.

DESCRIPTION

FIG. 1 is a perspective view of the front, right, and top side of a electrical discharge machine showing a first embodiment of our new design;

FIG. 2 is a front view thereof;

FIG. 3 is a rear view thereof;

FIG. 4 is a left side view thereof;

FIG. 5 is a right side view thereof;

FIG. 6 is a top plan view thereof;

FIG. 7 is a bottom view thereof;

FIG. 8 is a reference front view in a state where a work tank door is put down; and,

FIG. 9 is a reference front view in a slate where a safety door is raised up.

The broken lines shown represent unclaimed subject matter of an electrical discharge machine and form no part of the claimed design.

1 Claim, 9 Drawing Sheets

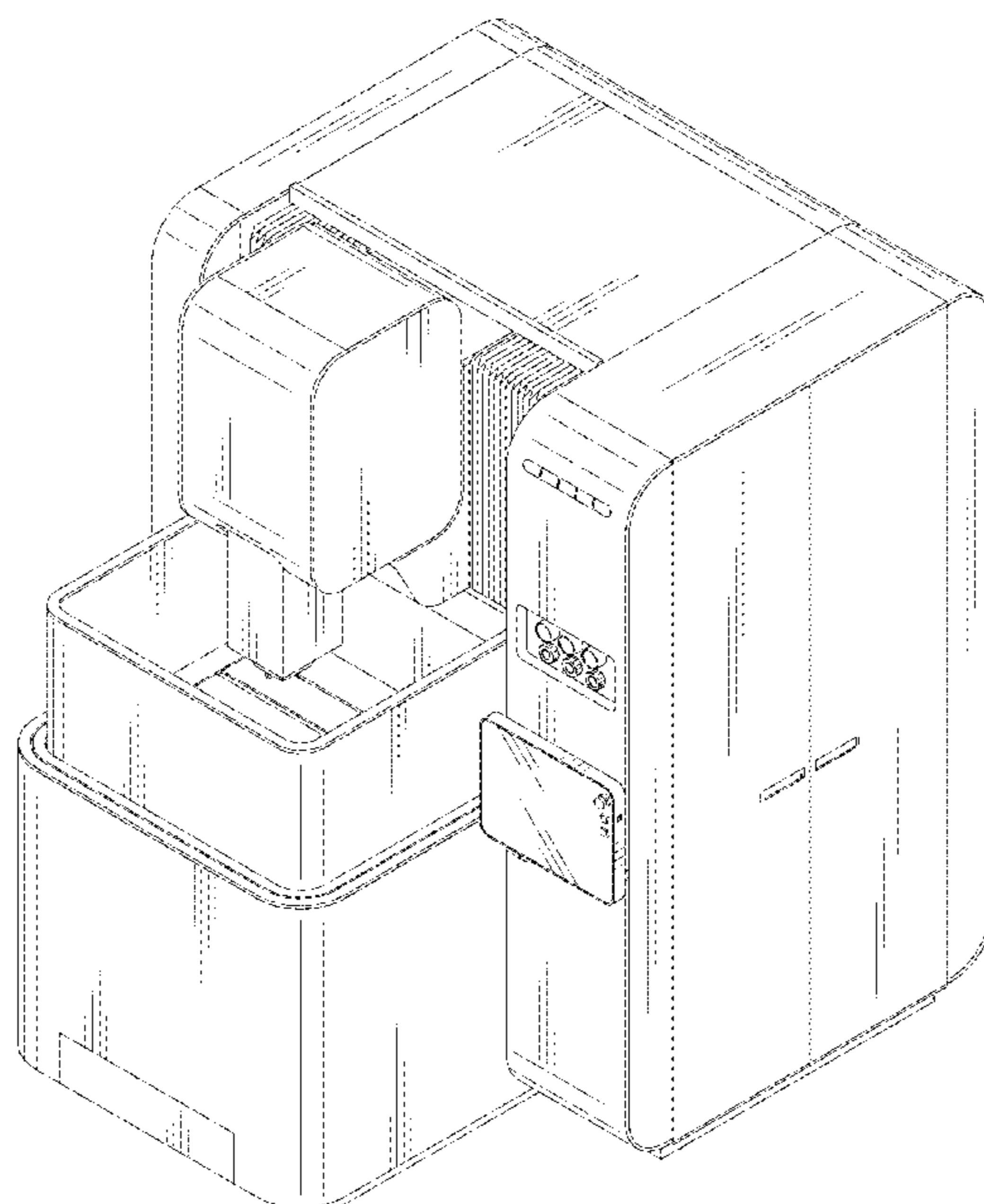


Fig. 1

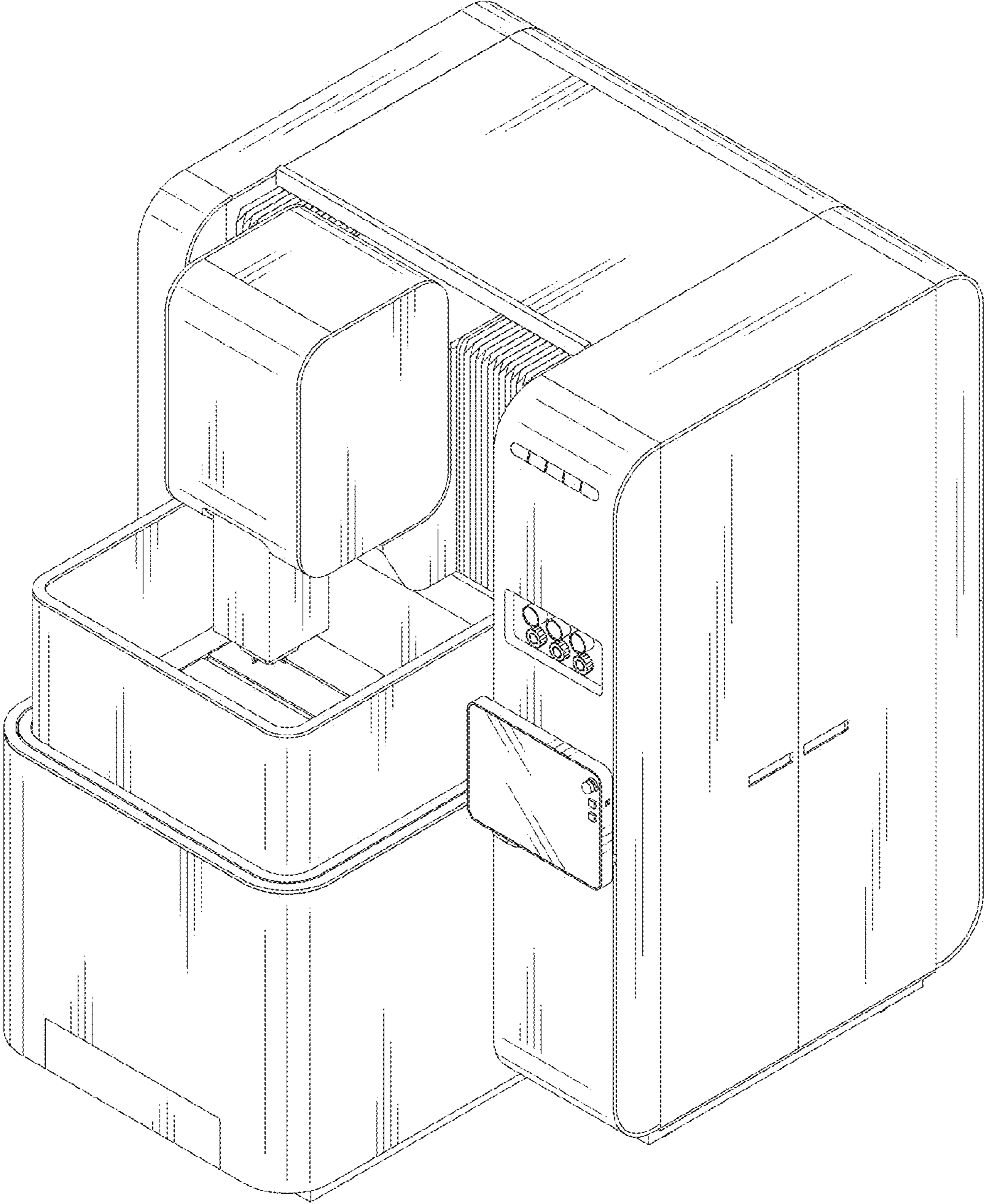


Fig. 2

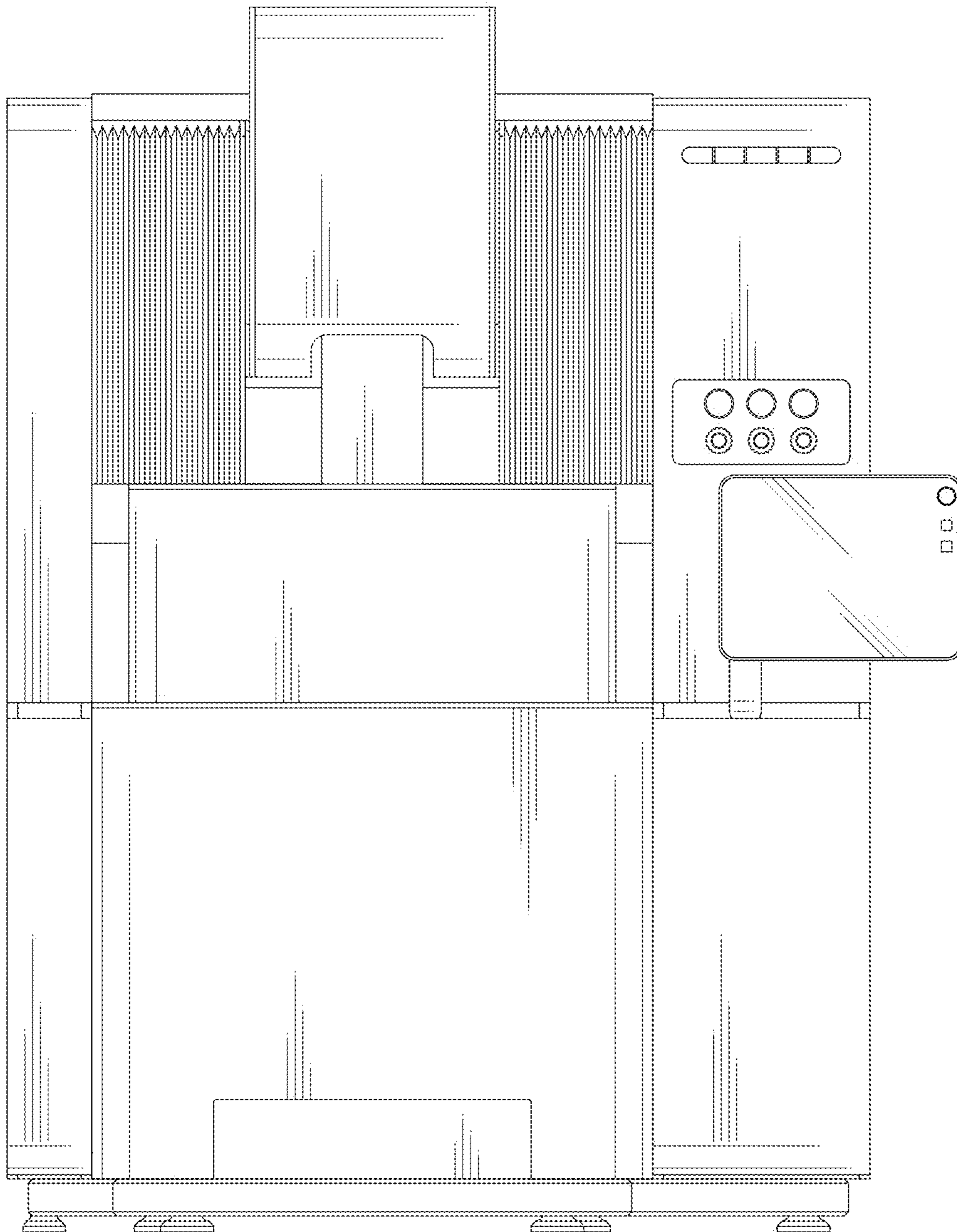


Fig. 3

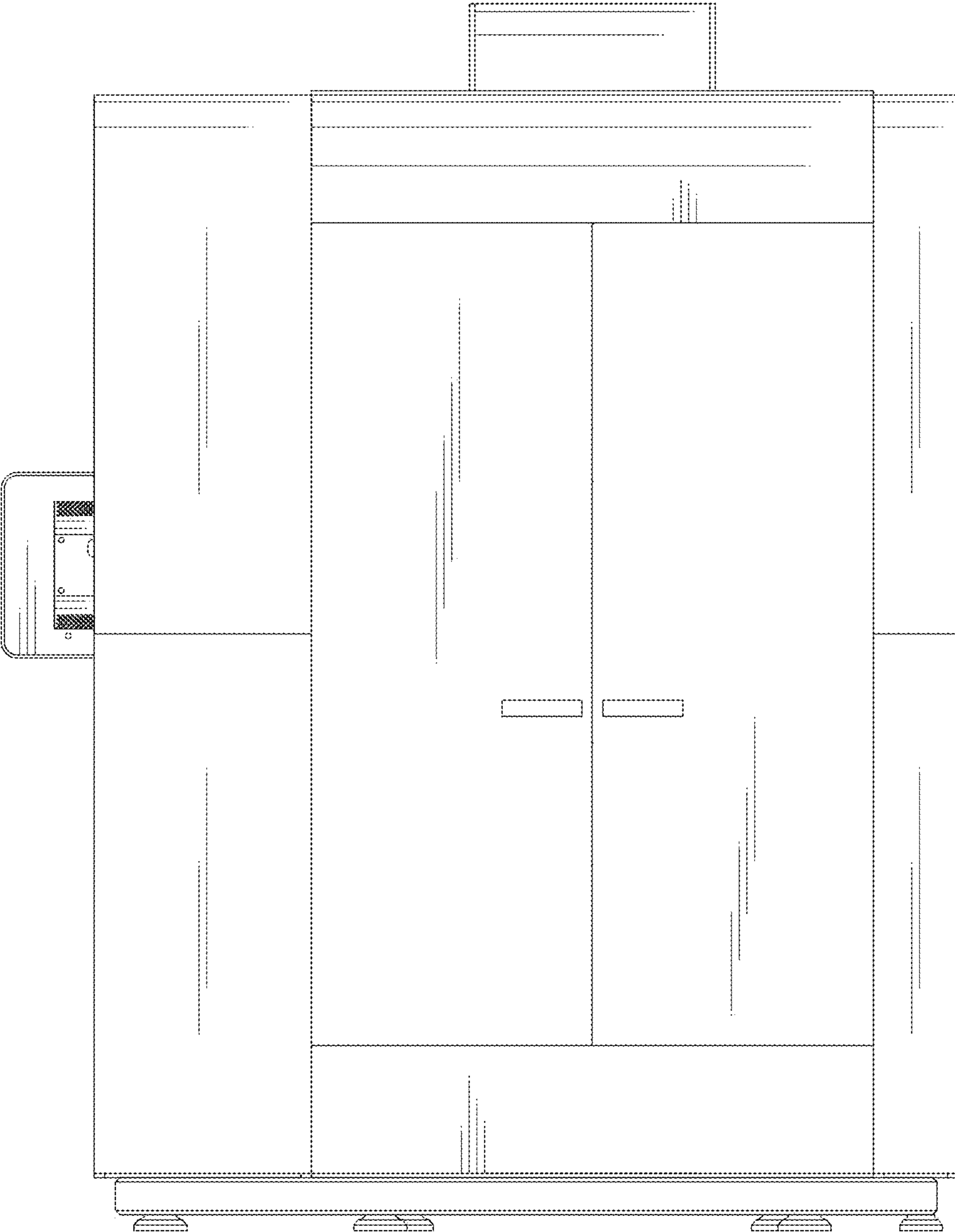


Fig. 4

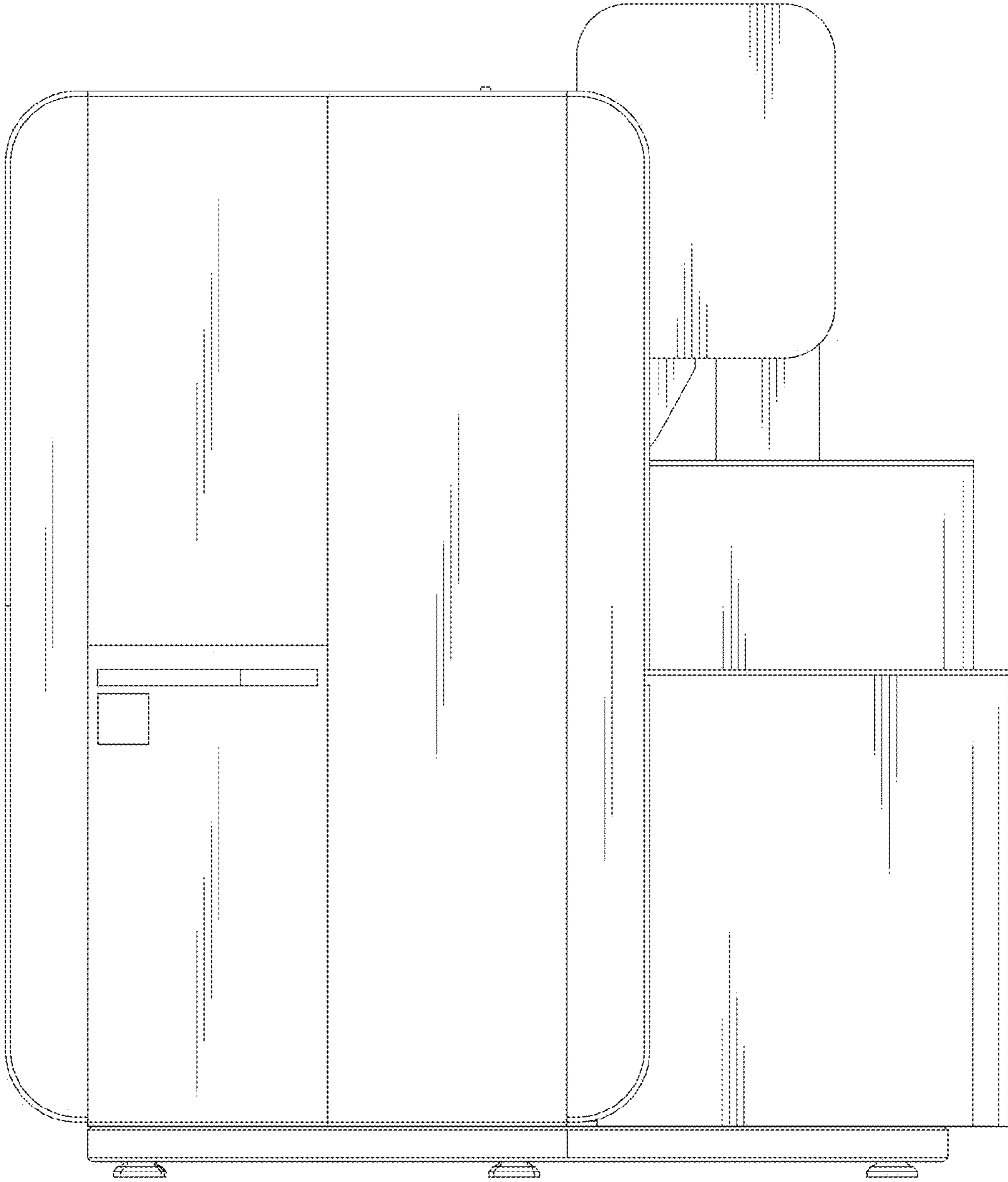


Fig. 5

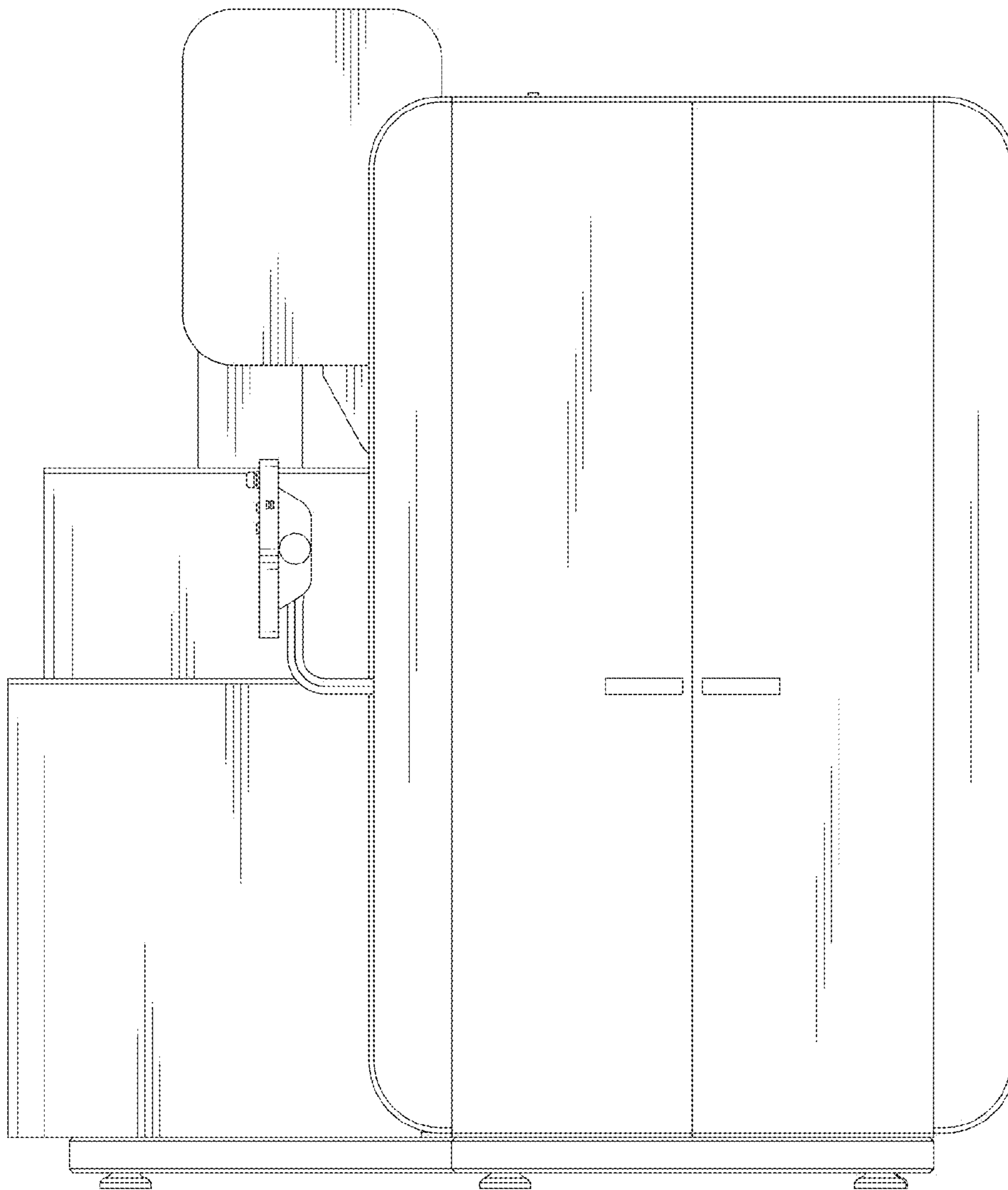


Fig. 6

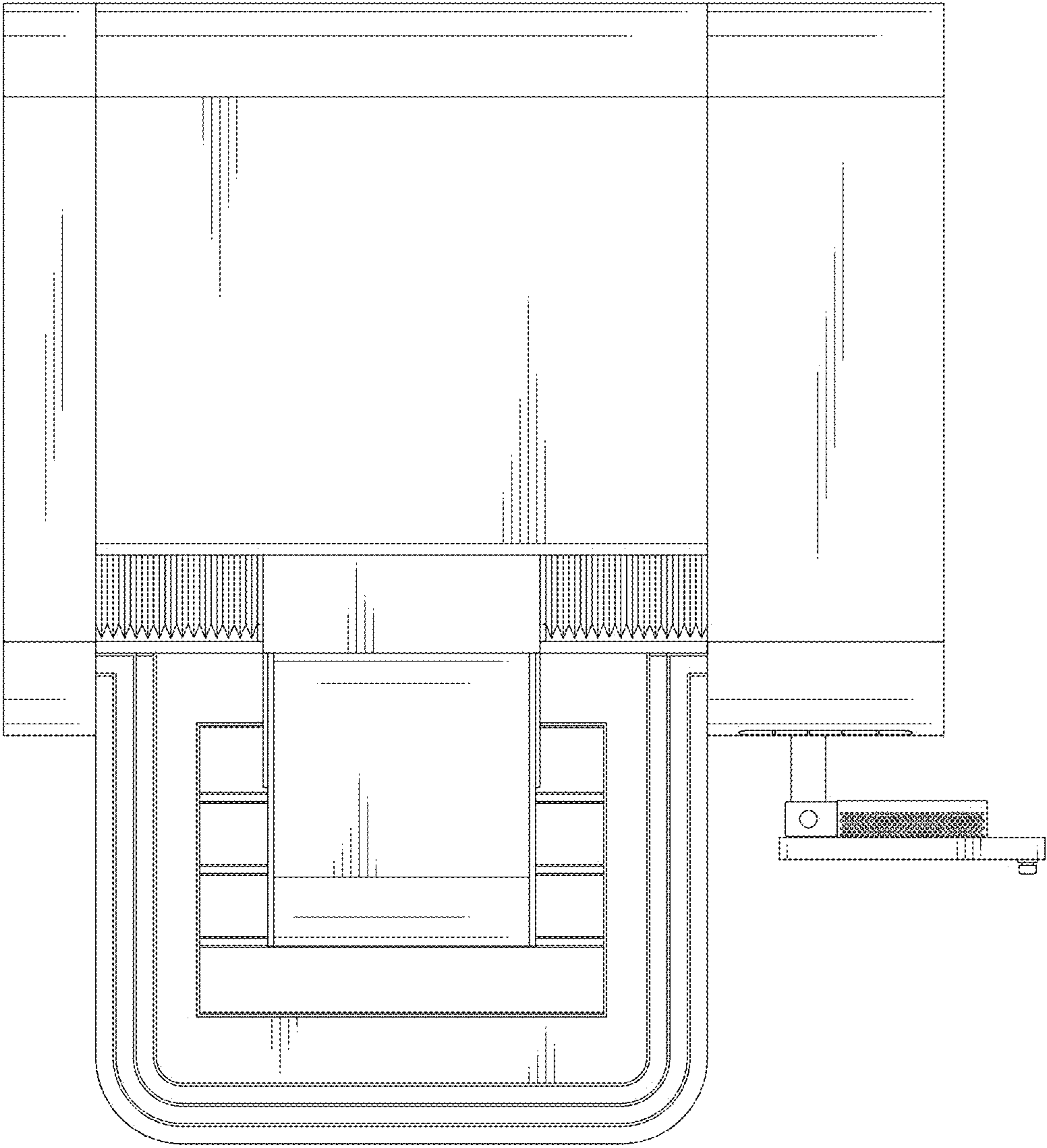


Fig. 7

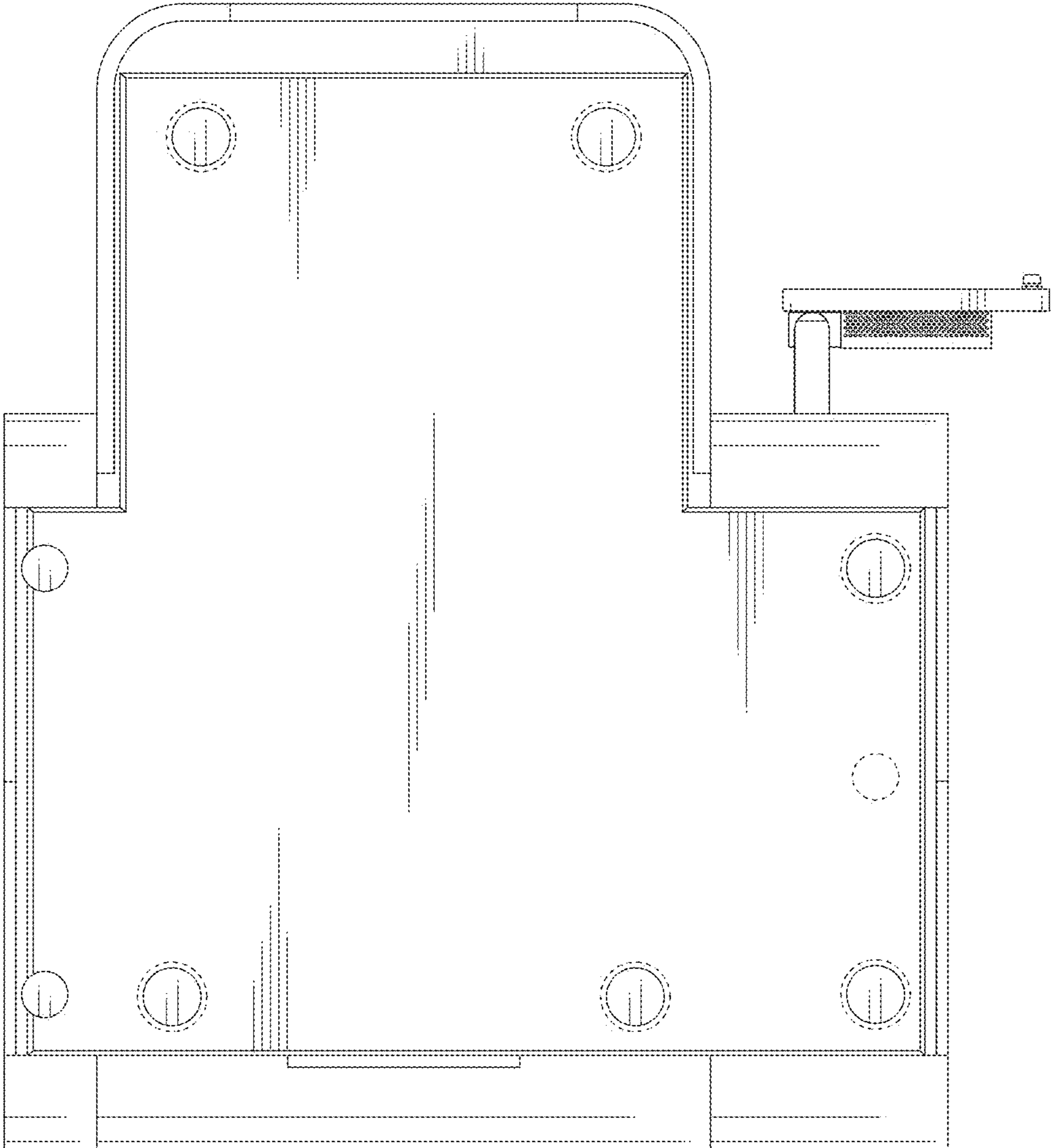


Fig. 8

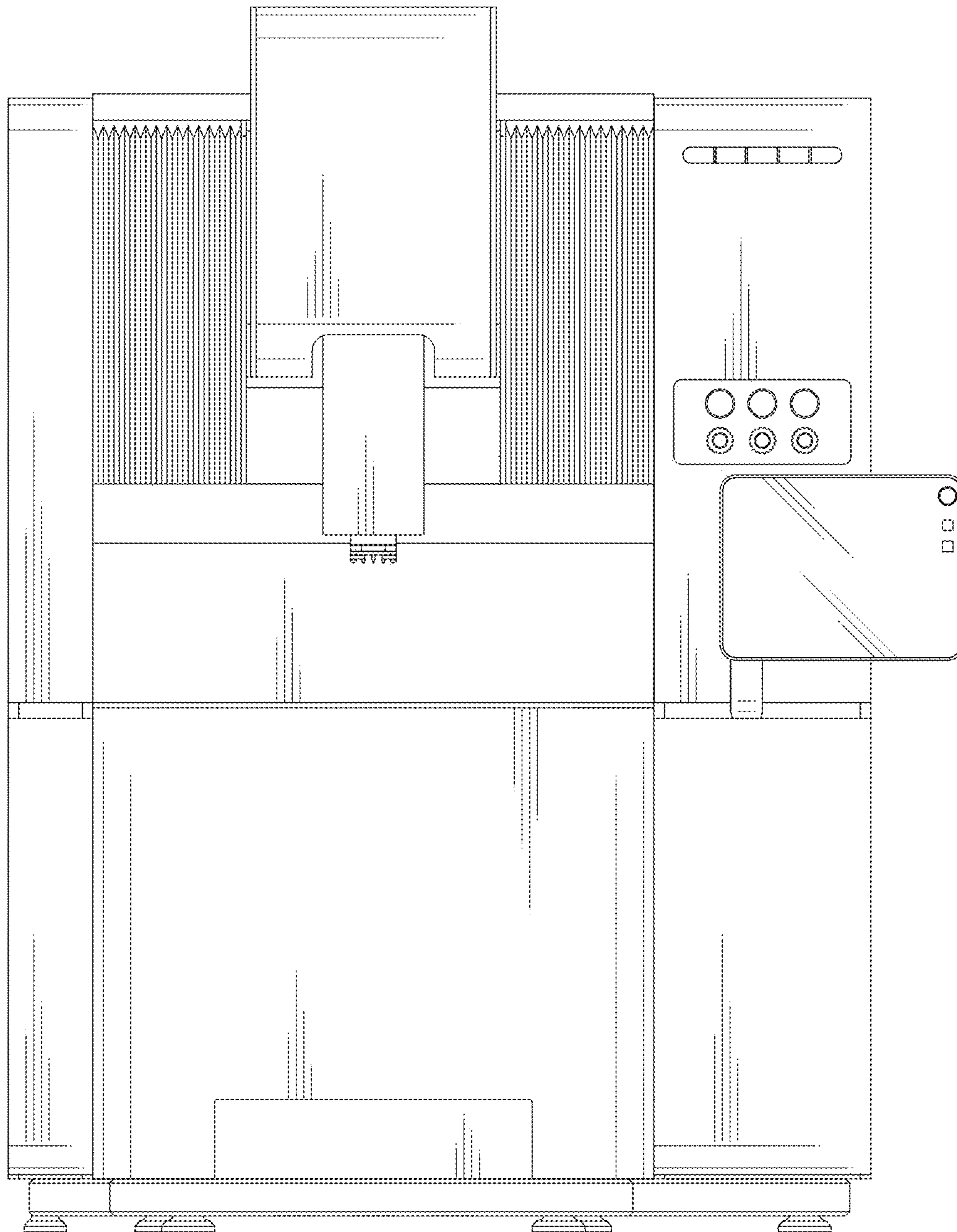


Fig. 9

