



US00D742439S

(12) **United States Design Patent**
Kraibühler et al.

(10) **Patent No.:** **US D742,439 S**

(45) **Date of Patent:** **** Nov. 3, 2015**

(54) **DEVICE FOR PRODUCING
THREE-DIMENSIONAL ARTICLES**

(71) Applicant: **Arburg GmbH + Co. KG**, Lossburg
(DE)

(72) Inventors: **Herbert Kraibühler**, Lossburg (DE);
Eberhard Duffner, Starzach (DE)

(73) Assignee: **ARBURG GMBH + CO. KG** (DE)

(**) Term: **14 Years**

(21) Appl. No.: **29/449,471**

(22) Filed: **Mar. 15, 2013**

(51) **LOC (10) Cl.** **15-09**

(52) **U.S. Cl.**
USPC **D15/122; D15/135**

(58) **Field of Classification Search**
USPC D14/420–425, 462–470; D15/122;
D18/14, 19, 36–38, 50, 53, 54, 54.1,
D18/55, 59; 347/47, 82; 400/613,
400/613.1–613.4, 690.1–690.4, 691–694
See application file for complete search history.

(56) **References Cited**

U.S. PATENT DOCUMENTS

D420,371	S	*	2/2000	Strong et al.	D15/135
6,126,343	A	*	10/2000	Sugiyama et al.	400/613
D501,502	S	*	2/2005	Scully et al.	D18/50
D677,723	S	*	3/2013	Buel et al.	D18/59
D688,741	S	*	8/2013	Joyce	D18/50

* cited by examiner

Primary Examiner — Patricia Palasik

(74) *Attorney, Agent, or Firm* — Cantor Colburn LLP

(57) **CLAIM**

We claim, the ornamental design for a device for producing three-dimensional articles, as shown and described.

DESCRIPTION

FIG. 1 is a front perspective view of a device for producing three-dimensional articles, showing our new design; FIG. 2 is another front perspective view thereof; FIG. 3 is a rear perspective view thereof; FIG. 4 is another rear perspective view thereof; and, FIG. 5 is a front elevation view thereof. The broken lines in the drawings depict unclaimed environmental subject matter.

1 Claim, 5 Drawing Sheets

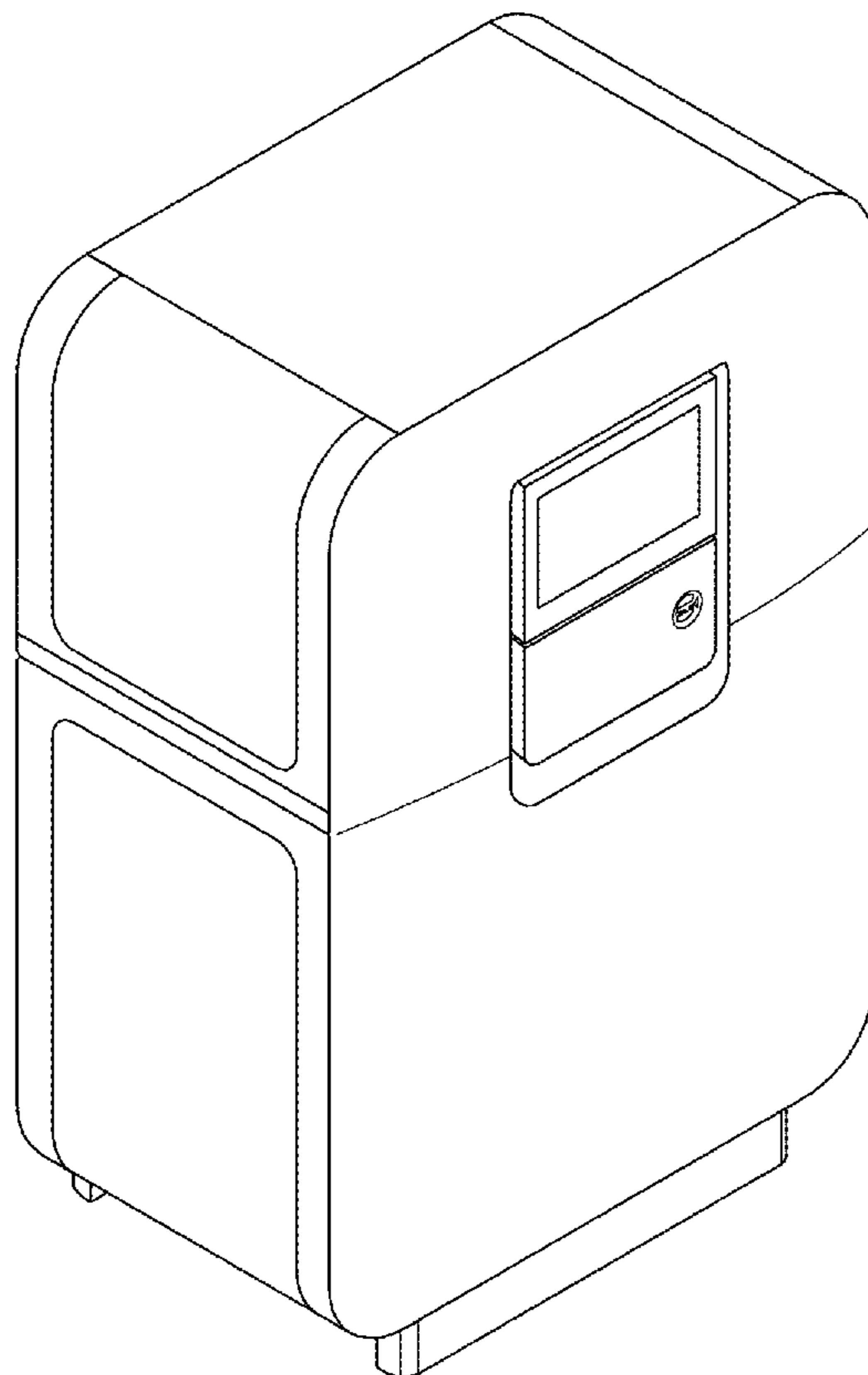


FIG. 1

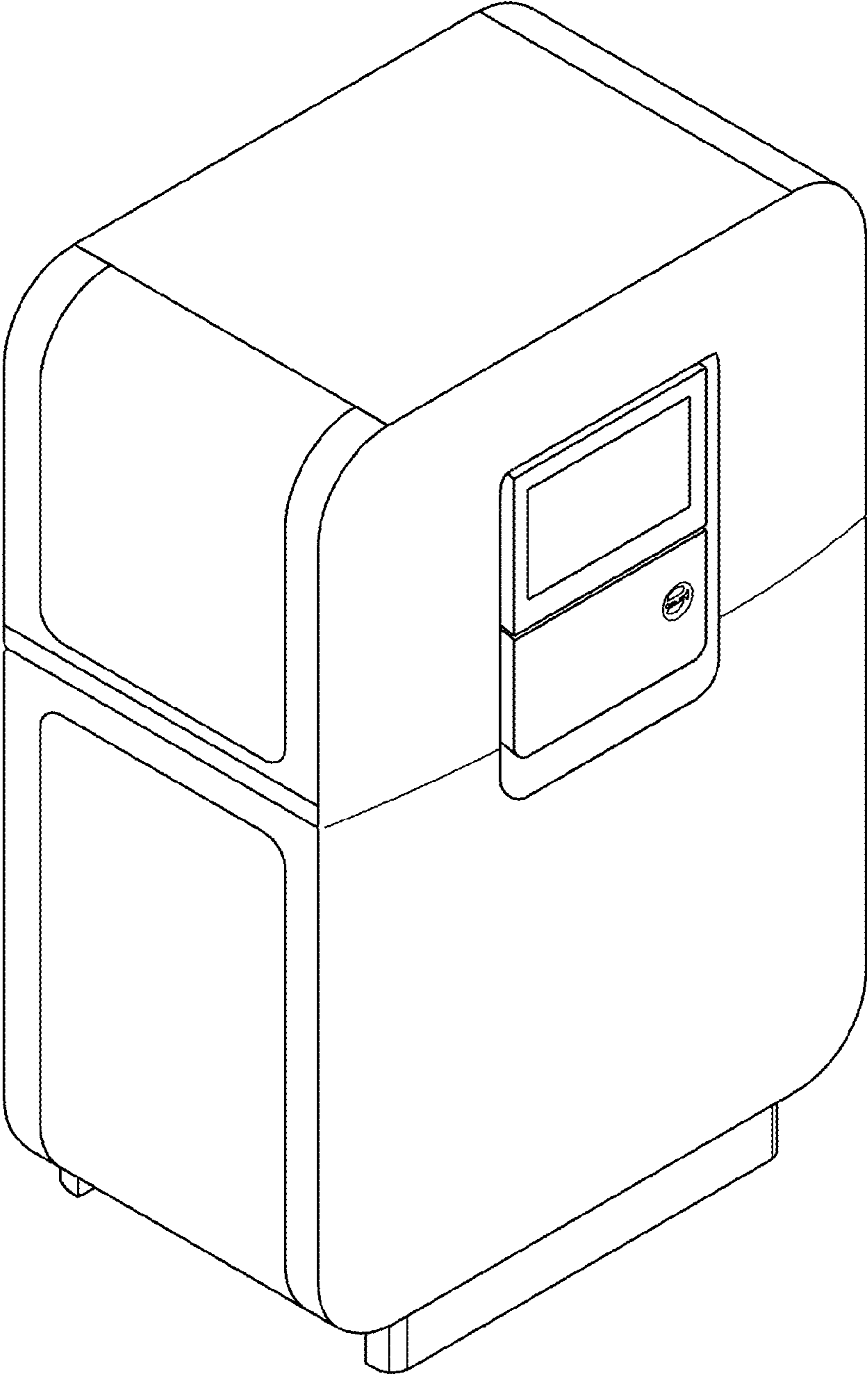


FIG. 2

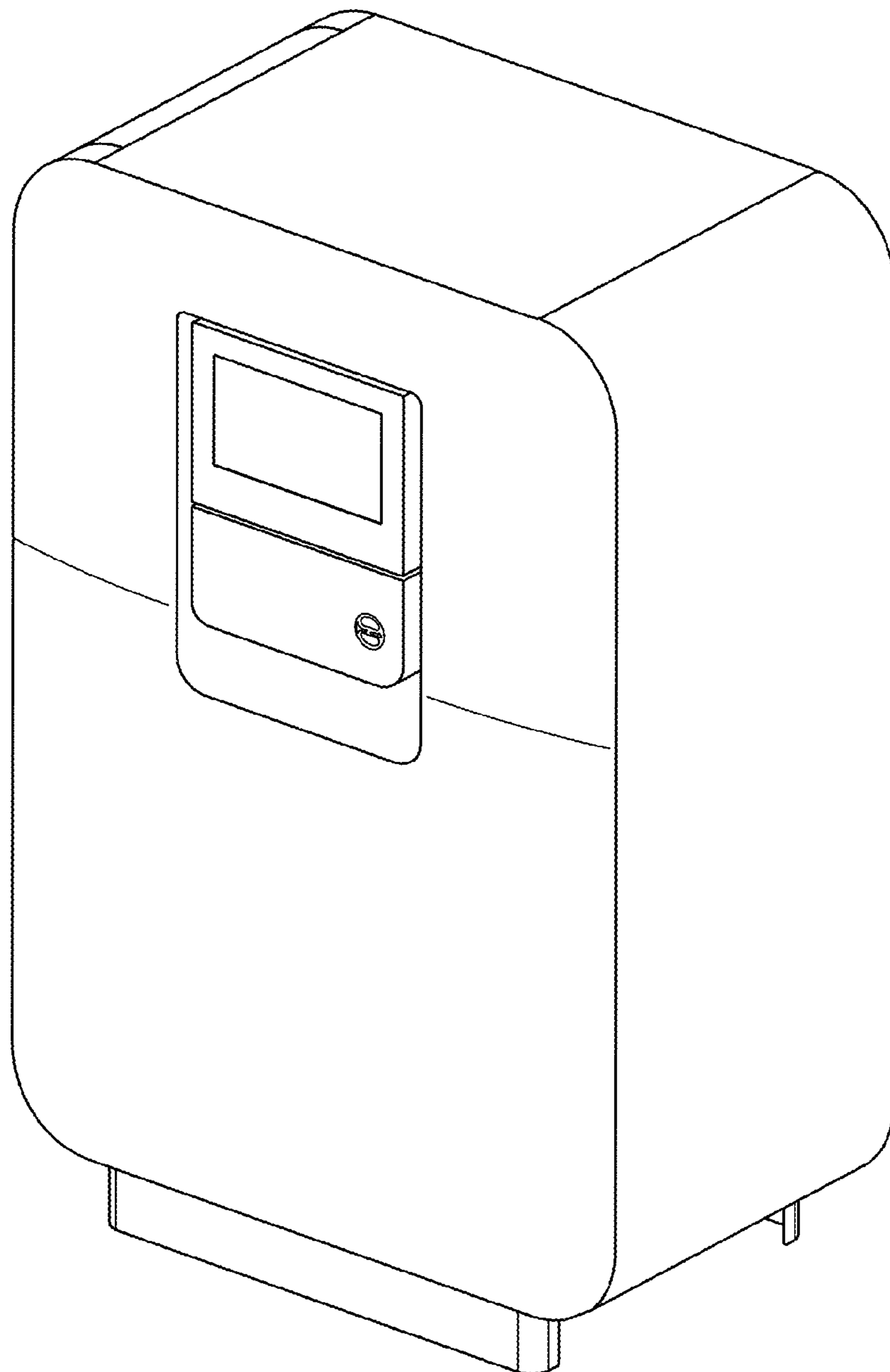


FIG. 3

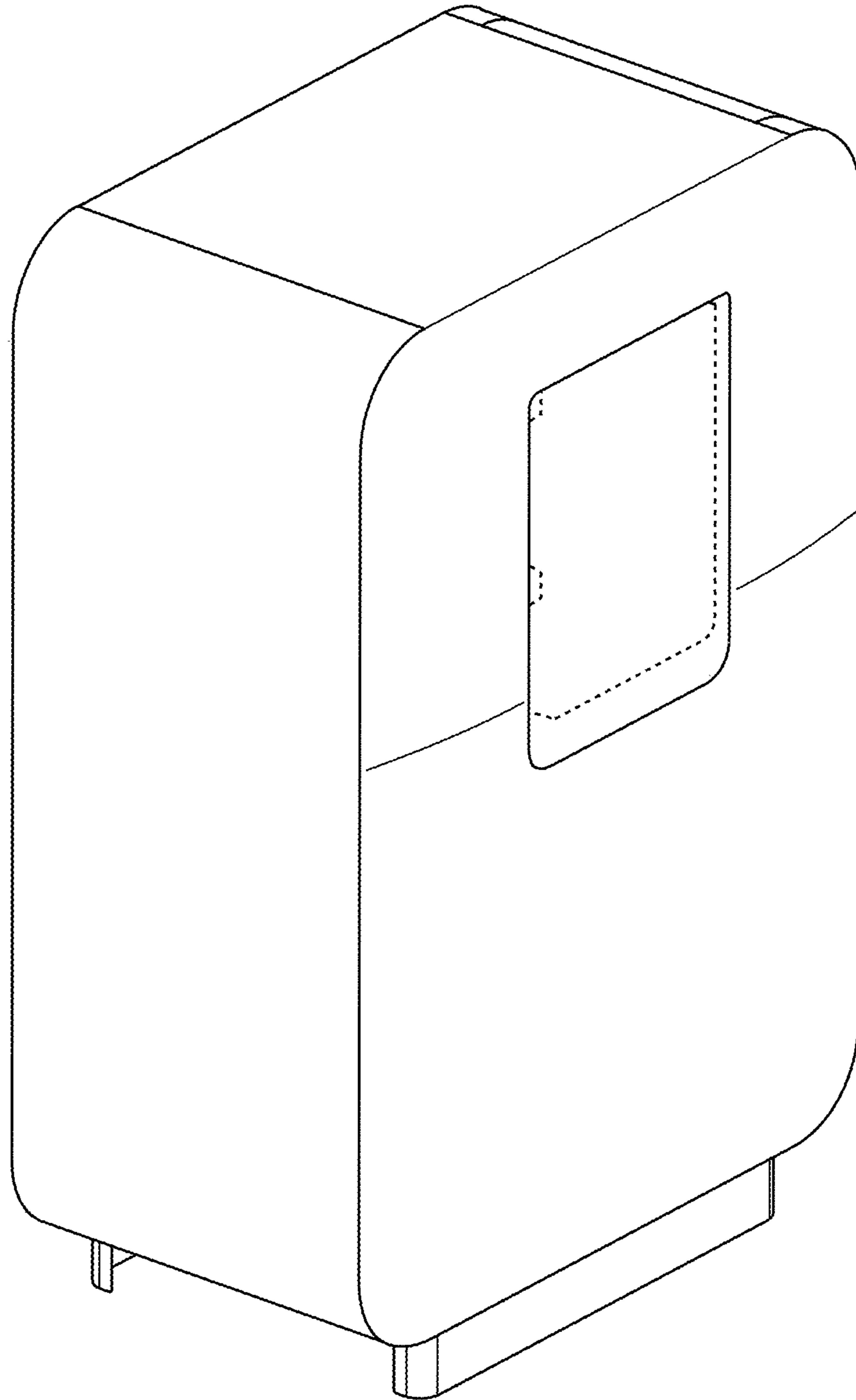


FIG. 4

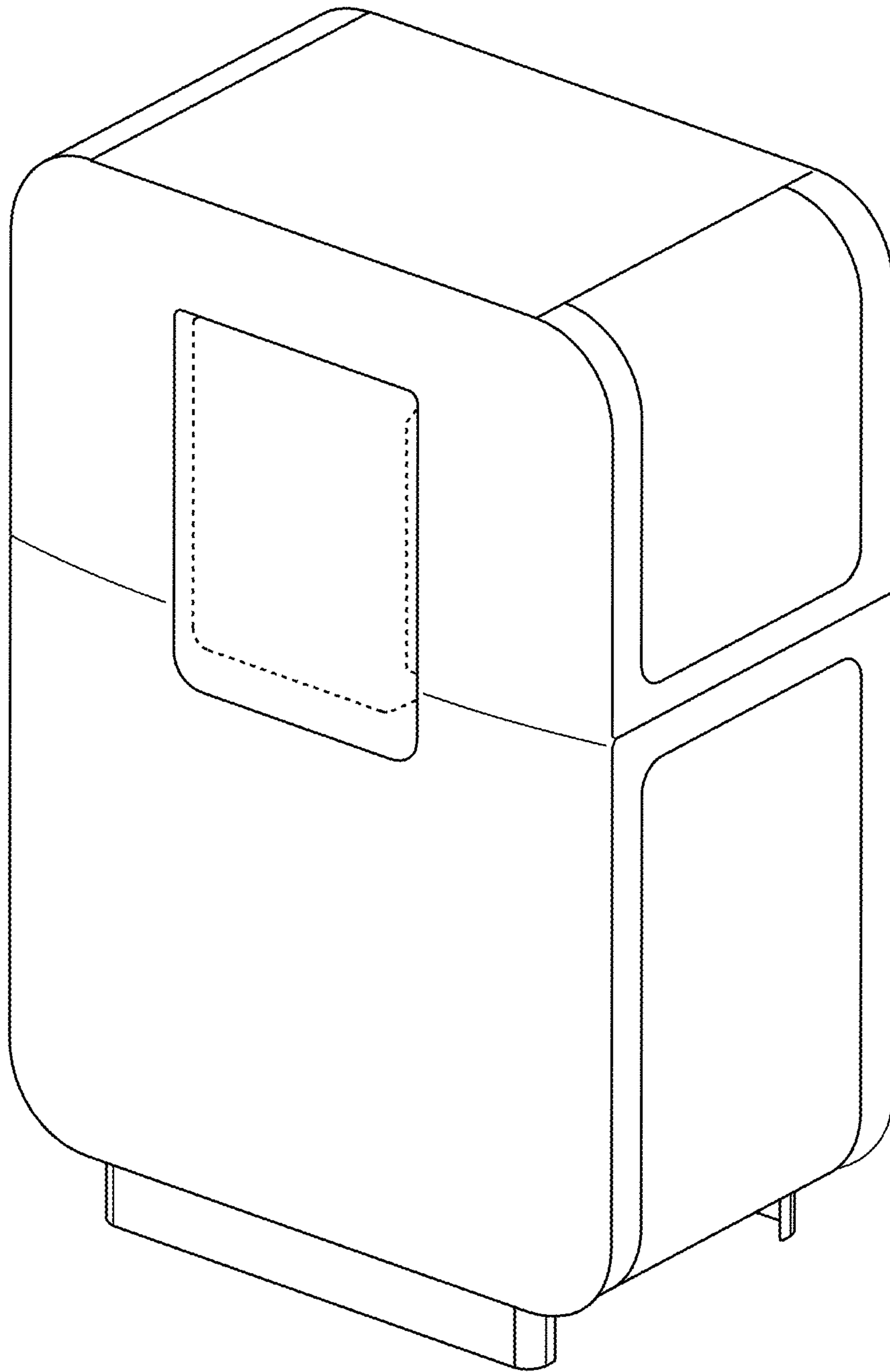


FIG. 5

