



US00D742430S

(12) **United States Design Patent**
Moris

(10) **Patent No.:** **US D742,430 S**

(45) **Date of Patent:** **** Nov. 3, 2015**

(54) **TUFTING DISC**

(71) Applicant: **HANDY BUTTON MACHINE CO.,**
Wheeling, IL (US)

(72) Inventor: **Robert A. Moris**, New Lenox, IL (US)

(73) Assignee: **HANDY BUTTON MACHINE CO.,**
Wheeling, IL (US)

(**) Term: **14 Years**

(21) Appl. No.: **29/476,276**

(22) Filed: **Dec. 12, 2013**

(51) **LOC (10) Cl.** **15-07**

(52) **U.S. Cl.**
USPC **D15/78**

(58) **Field of Classification Search**

USPC D2/643; D8/397, 399; D15/28, 29, 66,
D15/72, 78, 199; D17/22, 99; D21/441, 443
CPC A47C 31/026; A47C 31/11; D05C 7/02;
D05C 7/08; D05C 7/12; D05C 15/04; D05C
15/06; D05C 15/34; D05C 15/36; D05C
17/02; D05C 3/02; D05C 3/04; D05C 5/02;
D05C 5/04; D05C 5/06; D05C 1/00; B68G
7/08; B68G 15/00; A44B 1/24; A44B 1/12;
A44B 1/42

See application file for complete search history.

(56) **References Cited**

U.S. PATENT DOCUMENTS

2,516,204 A * 7/1950 Hadley 24/114.3
D427,549 S * 7/2000 White D12/114

D525,647 S * 7/2006 Scharte D17/22
D597,589 S * 8/2009 Onishi D17/22
D624,938 S * 10/2010 Kelly et al. D15/28
D682,666 S * 5/2013 Wigboldy D8/399
D696,930 S * 1/2014 Rodenhouse et al. D8/399
D725,714 S * 3/2015 Kim D21/443

OTHER PUBLICATIONS

Digital photos of flat tufting disc, on-sale before Dec. 12, 2013.

* cited by examiner

Primary Examiner — Daniel Bui

Assistant Examiner — Khawaja Anwar

(74) *Attorney, Agent, or Firm* — Marshall, Gerstein & Borun
LLP

(57) **CLAIM**

The ornamental design for a tufting disc, as shown and described.

DESCRIPTION

FIG. 1 is a front, top perspective view of a tufting disc, showing my new design;

FIG. 2 is a front elevation view thereof;

FIG. 3 is a top plan view thereof; and,

FIG. 4 is a bottom plan view thereof.

The curved surface shading of FIGS. 1 & 3 shows a convex-contoured region of the claimed design. The curved surface shading of FIG. 4 shows a concave-contoured region of the claimed design. The broken line in FIG. 4 represents unclaimed environment and forms no part of the claimed design.

1 Claim, 1 Drawing Sheet

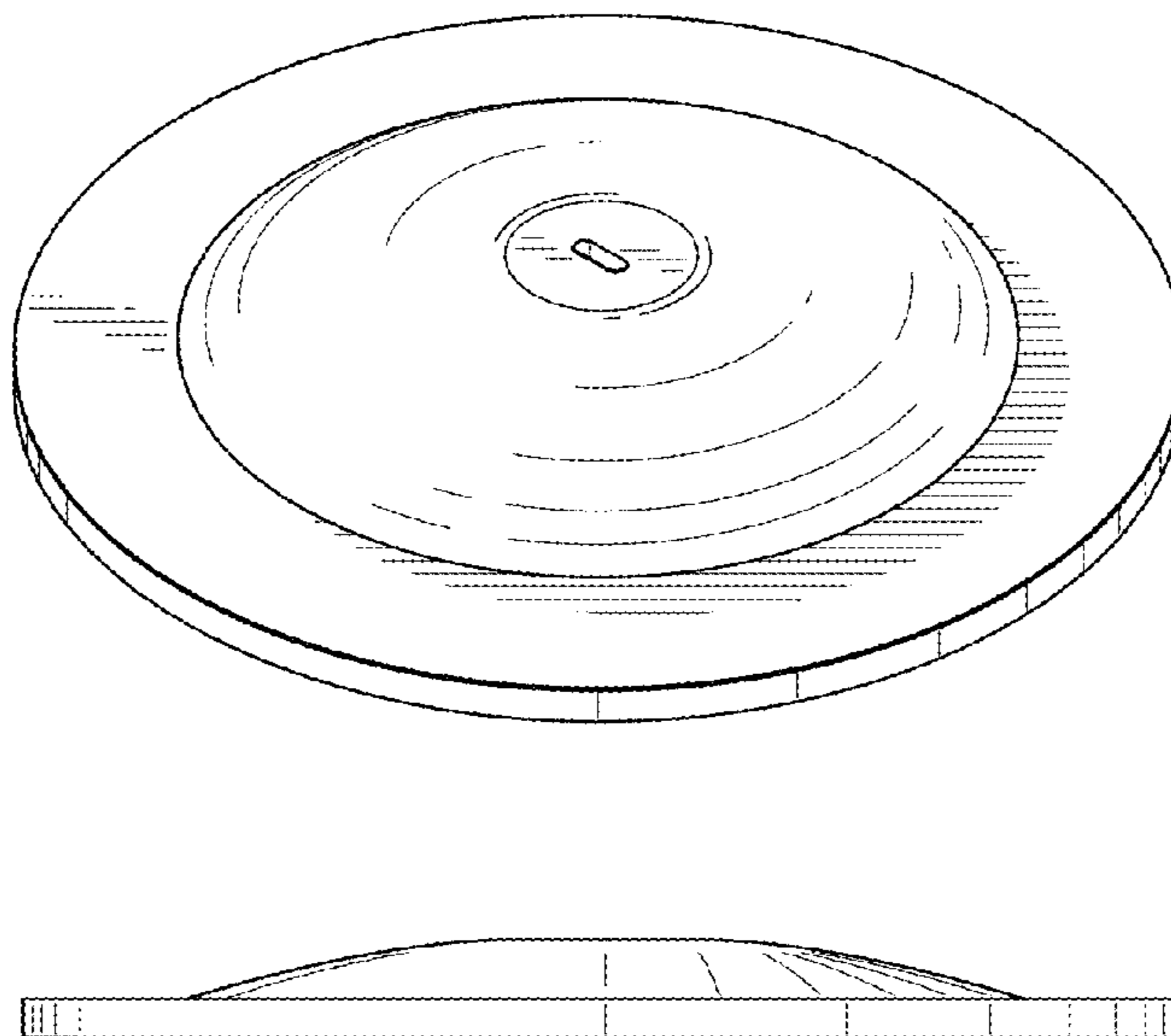


Fig. 1

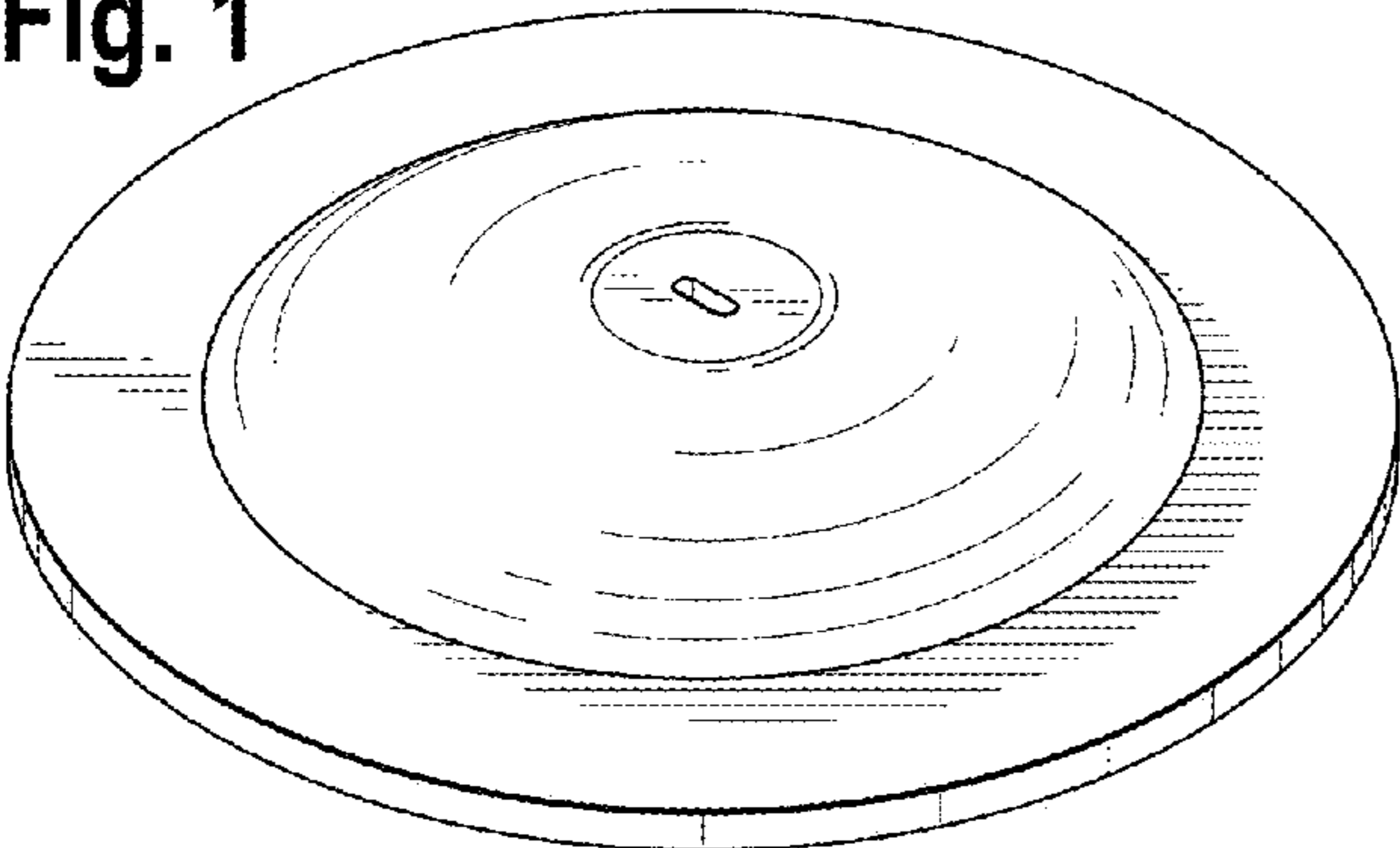


Fig. 2

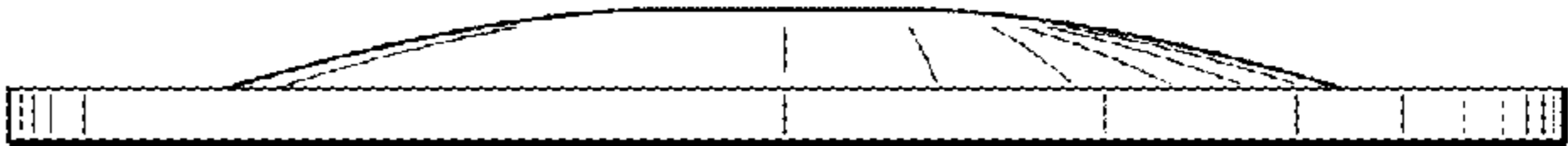


Fig. 3

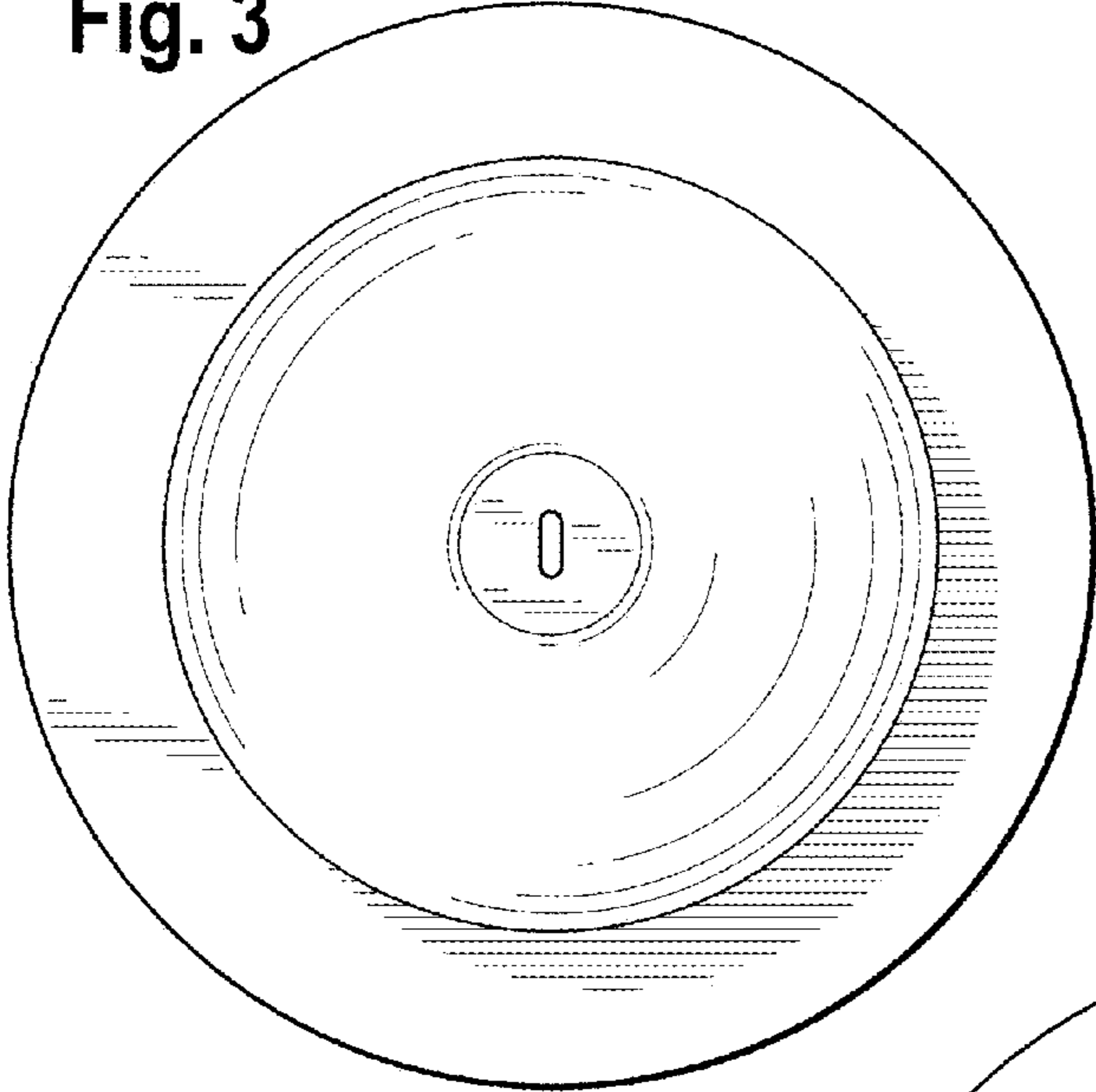


Fig. 4

