



US00D742428S

(12) **United States Design Patent**
Barry

(10) **Patent No.:** **US D742,428 S**

(45) **Date of Patent:** **** Nov. 3, 2015**

(54) **EXCAVATOR MOUNTED CONCRETE HANDLER WITH REMOTE CAMERA FOR ACCURATE POSITIONING AND DISPENSING WITH HYDRAULIC VALVE CONTROL**

D527,391	S	*	8/2006	Coli	D15/19
D534,551	S	*	1/2007	Kushlan	D15/19
D630,653	S	*	1/2011	Meritt	D15/28
D668,688	S	*	10/2012	Kennard	D15/19
D672,789	S	*	12/2012	Bongiovanni	D15/19
D718,791	S	*	12/2014	Moretto	D15/10
2010/0050567	A1	*	3/2010	Vandewinckel et al.	...	52/749.13

(71) Applicant: **Timothy B. Barry**, Belmar, NJ (US)

(72) Inventor: **Timothy B. Barry**, Belmar, NJ (US)

(**) Term: **14 Years**

(21) Appl. No.: **29/494,284**

(22) Filed: **Jun. 19, 2014**

(51) **LOC (10) Cl.** **15-03**

(52) **U.S. Cl.**
USPC **D15/28**

(58) **Field of Classification Search**
USPC D15/19, 28; 366/14, 18, 25, 44, 45, 39;
414/21, 332, 607, 608, 725, 326, 526,
414/642; 37/903; 222/168
CPC B65D 88/30; B65D 88/00; B66F 9/12;
B66F 9/19; E04G 21/02; E04G 21/04
See application file for complete search history.

(56) **References Cited**

U.S. PATENT DOCUMENTS

D294,642	S	*	3/1988	Bostrom	D25/3
4,798,510	A	*	1/1989	Lazenby	414/607
D300,636	S	*	4/1989	Howard et al.	D15/10
D322,972	S	*	1/1992	St. Ama	D15/19
5,182,057	A	*	1/1993	Johnson	264/31
5,339,996	A	*	8/1994	Dubbert et al.	222/185.1
5,868,494	A	*	2/1999	Campbell et al.	366/47
5,938,398	A	*	8/1999	Brown	414/607
6,386,747	B1	*	5/2002	Liao et al.	366/46
D459,365	S	*	6/2002	Myers et al.	D15/19
6,595,677	B2	*	7/2003	Anderson	366/67

* cited by examiner

Primary Examiner — Mark Goodwin

(74) *Attorney, Agent, or Firm* — Charles Brodsky

(57) **CLAIM**

The ornamental design for an excavator mounted concrete handler with remote camera for accurate positioning and dispensing with hydraulic valve control, as shown and described.

DESCRIPTION

FIG. 1 is a top perspective view of an excavator mounted concrete handler with remote camera for accurate positioning and dispensing with hydraulic valve control, showing my new design;

FIG. 2 is a front view thereof;

FIG. 3 is a rear view thereof;

FIG. 4 is a left side view showing my new design;

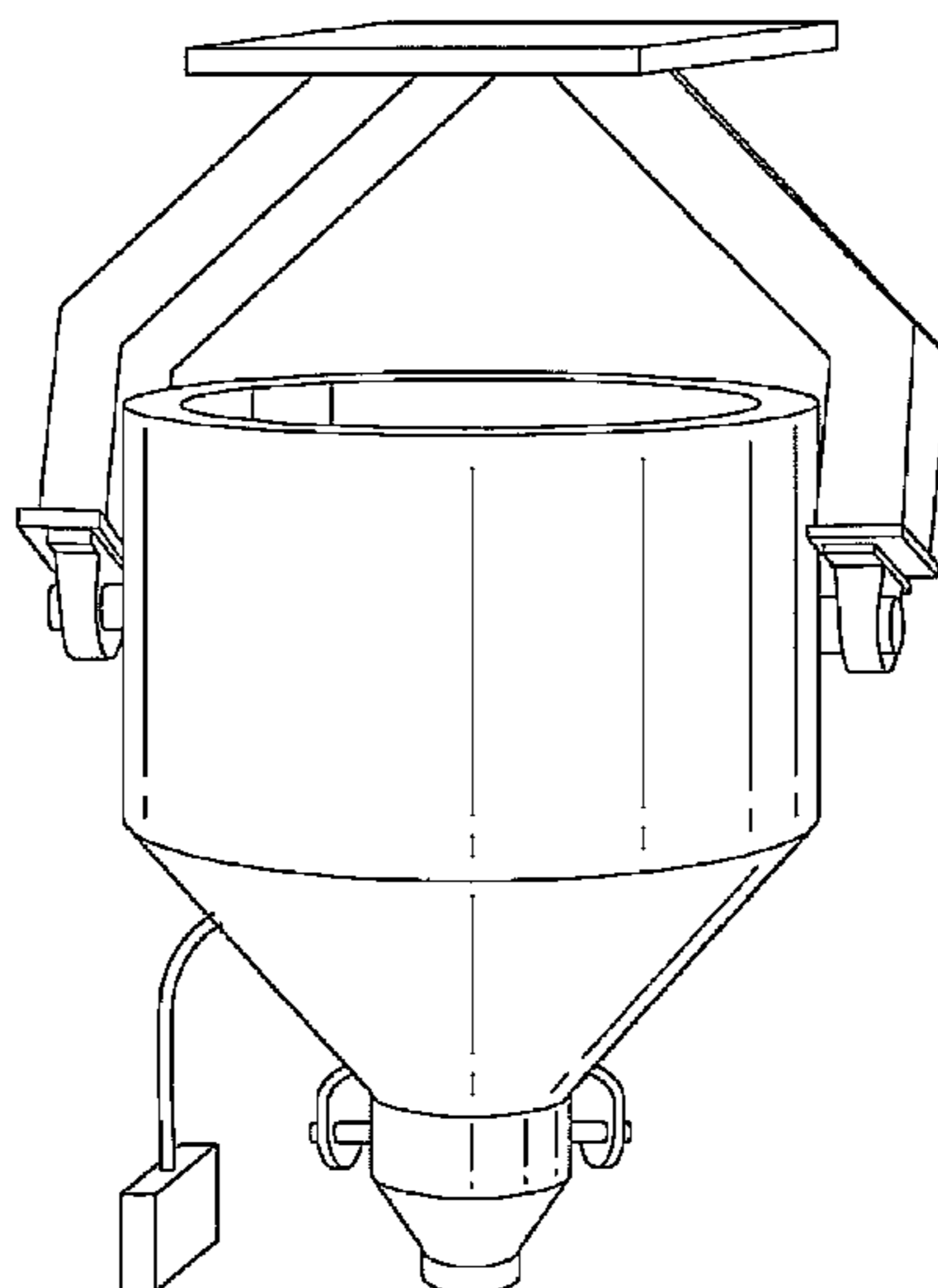
FIG. 5 is a right side view showing my new design;

FIG. 6 is a top view showing my new design;

FIG. 7 is a bottom view showing my new design; and,

FIG. 8 is a top perspective view of the excavator mounted concrete handler with remote camera for accurate positioning and dispensing with hydraulic valve control of my new design, wherein the broken lines indicate an environment of use and form no part of the claimed design.

1 Claim, 8 Drawing Sheets



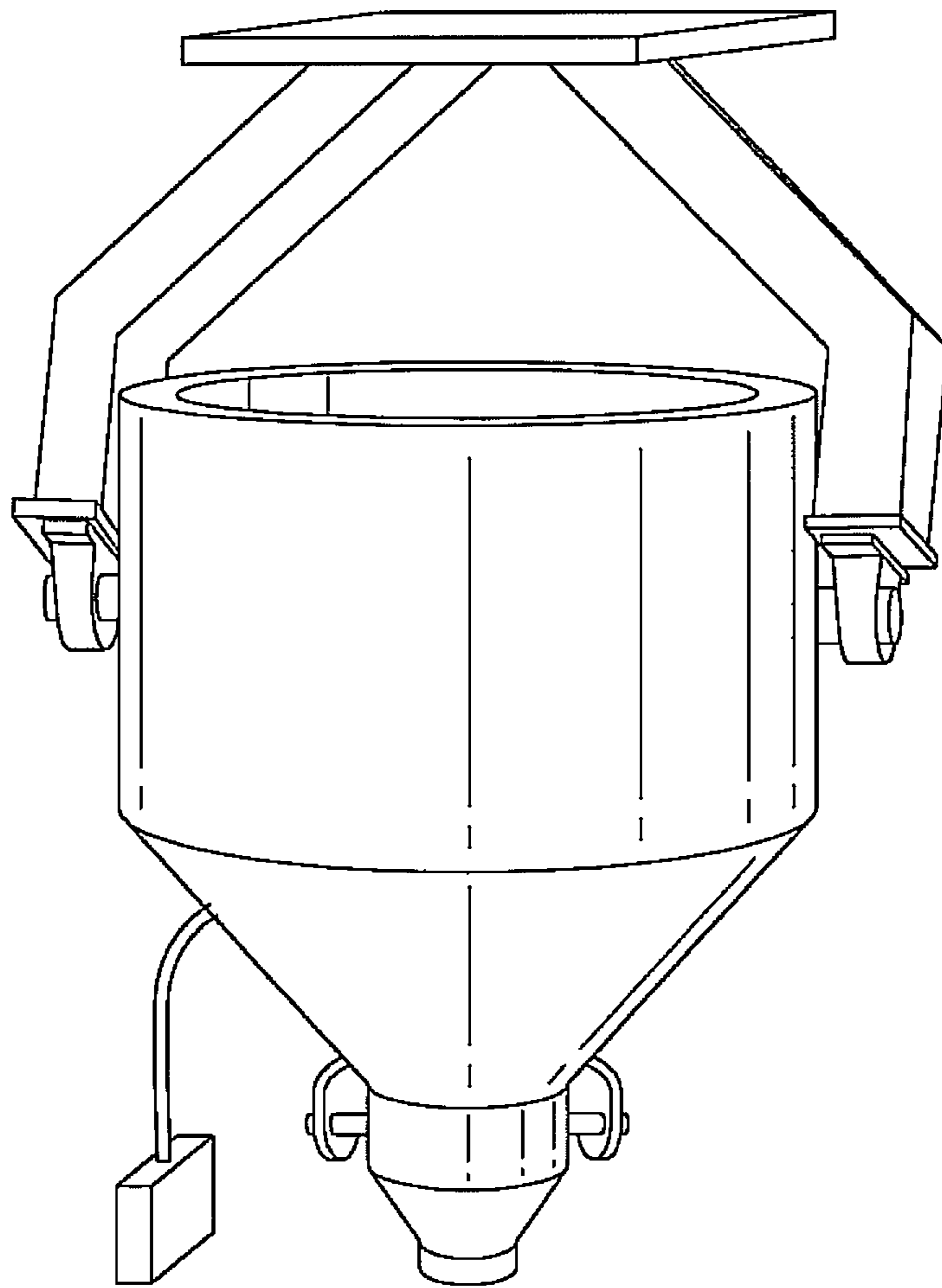


FIG. 1

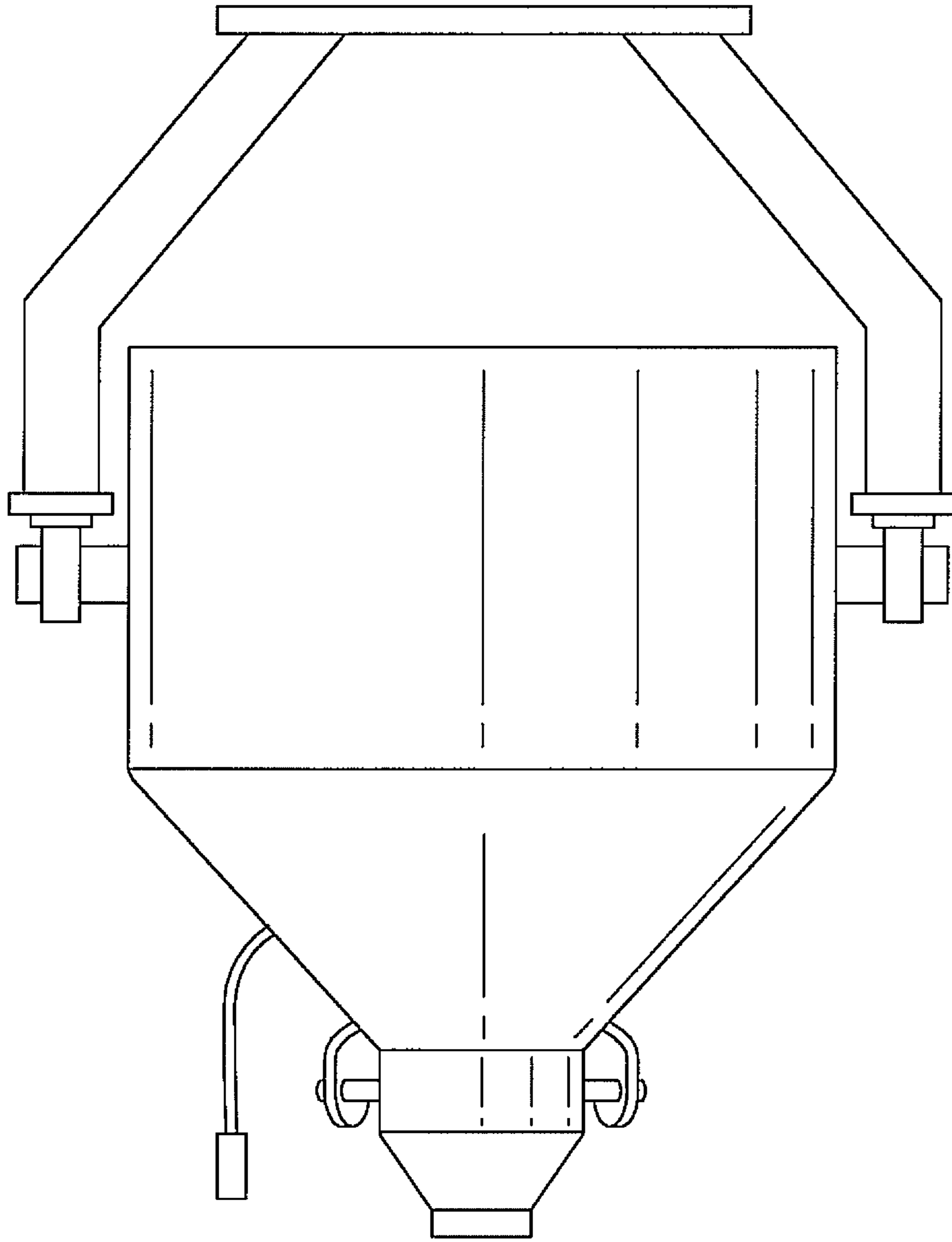


FIG. 2

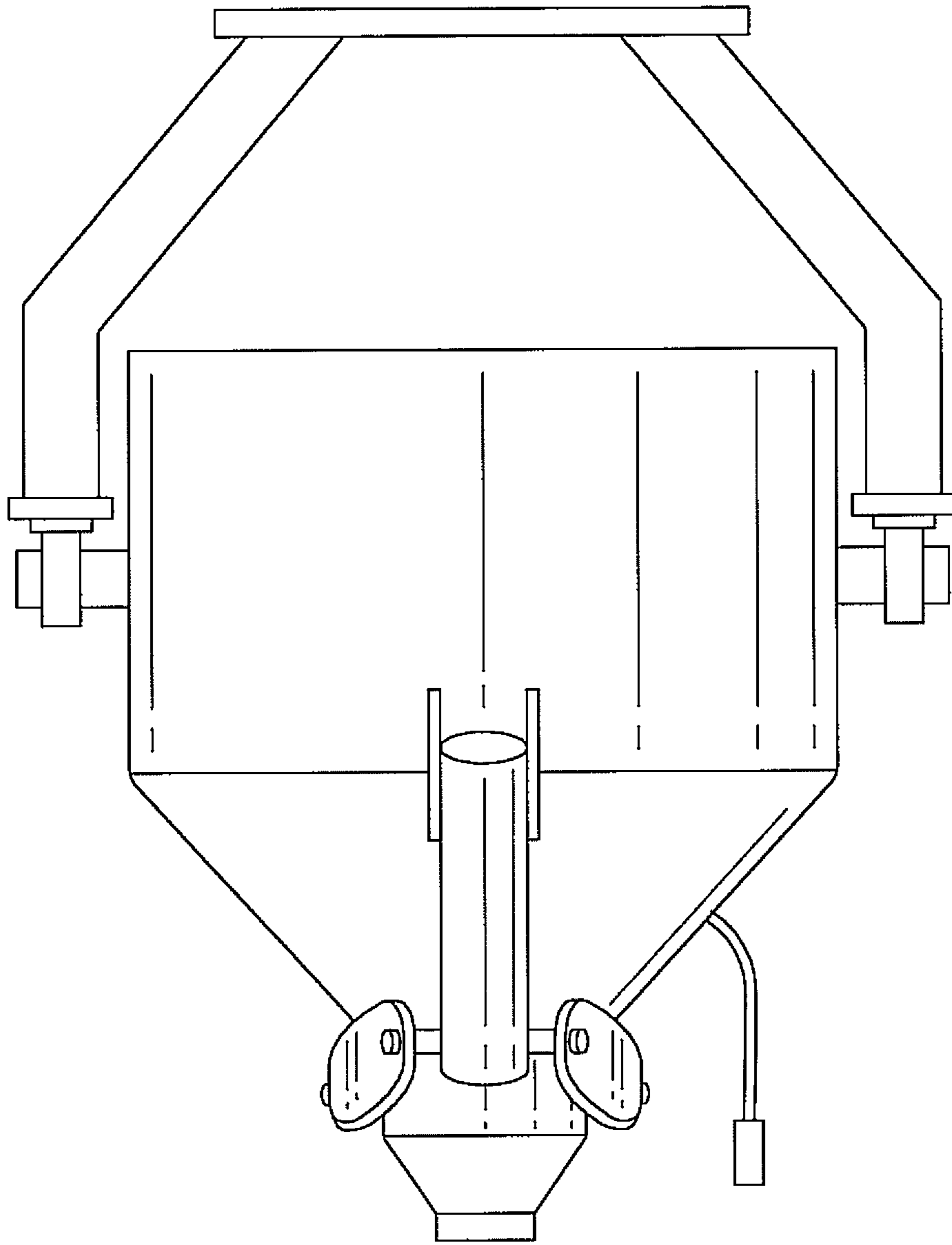


FIG. 3

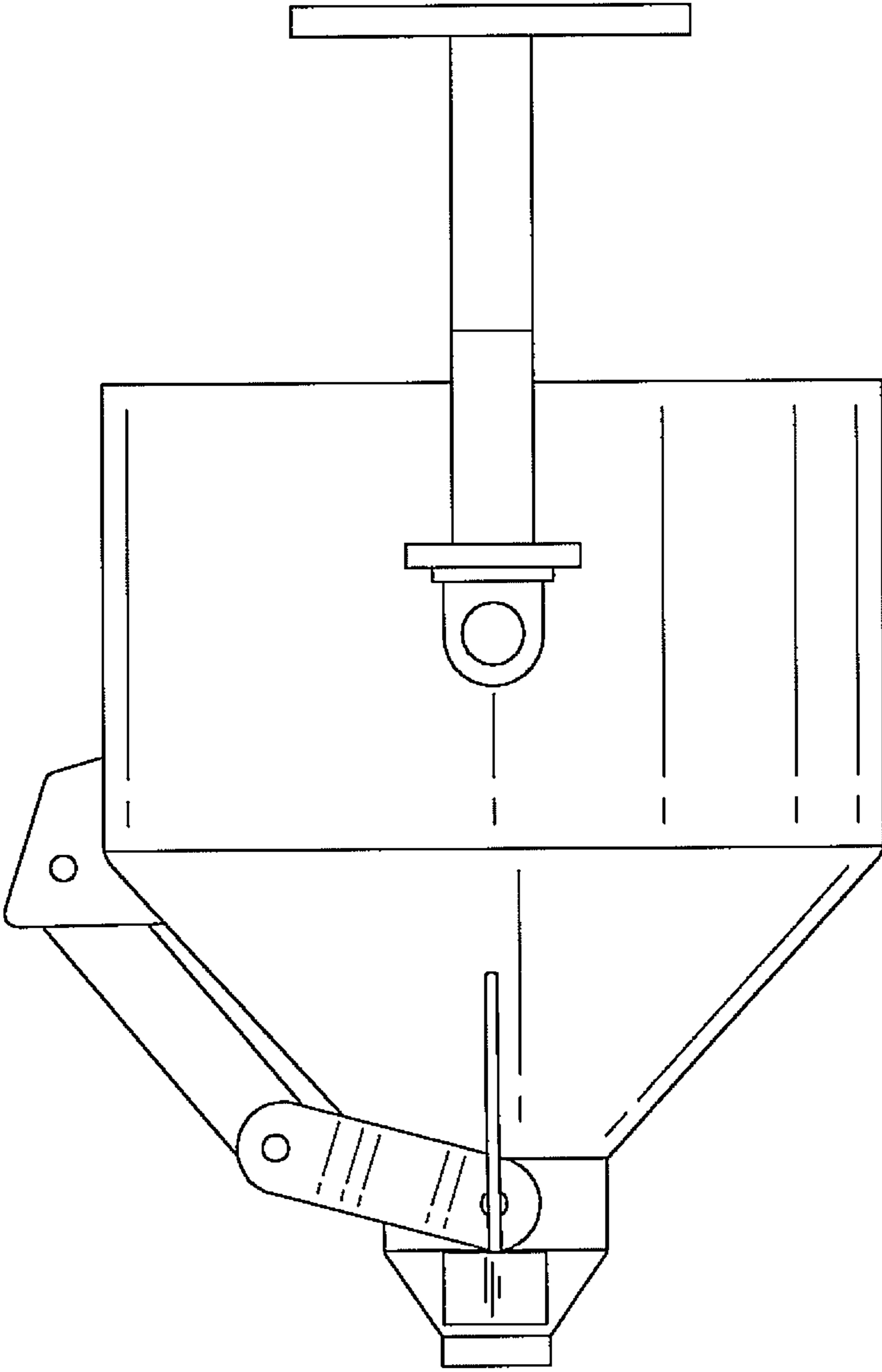


FIG. 4

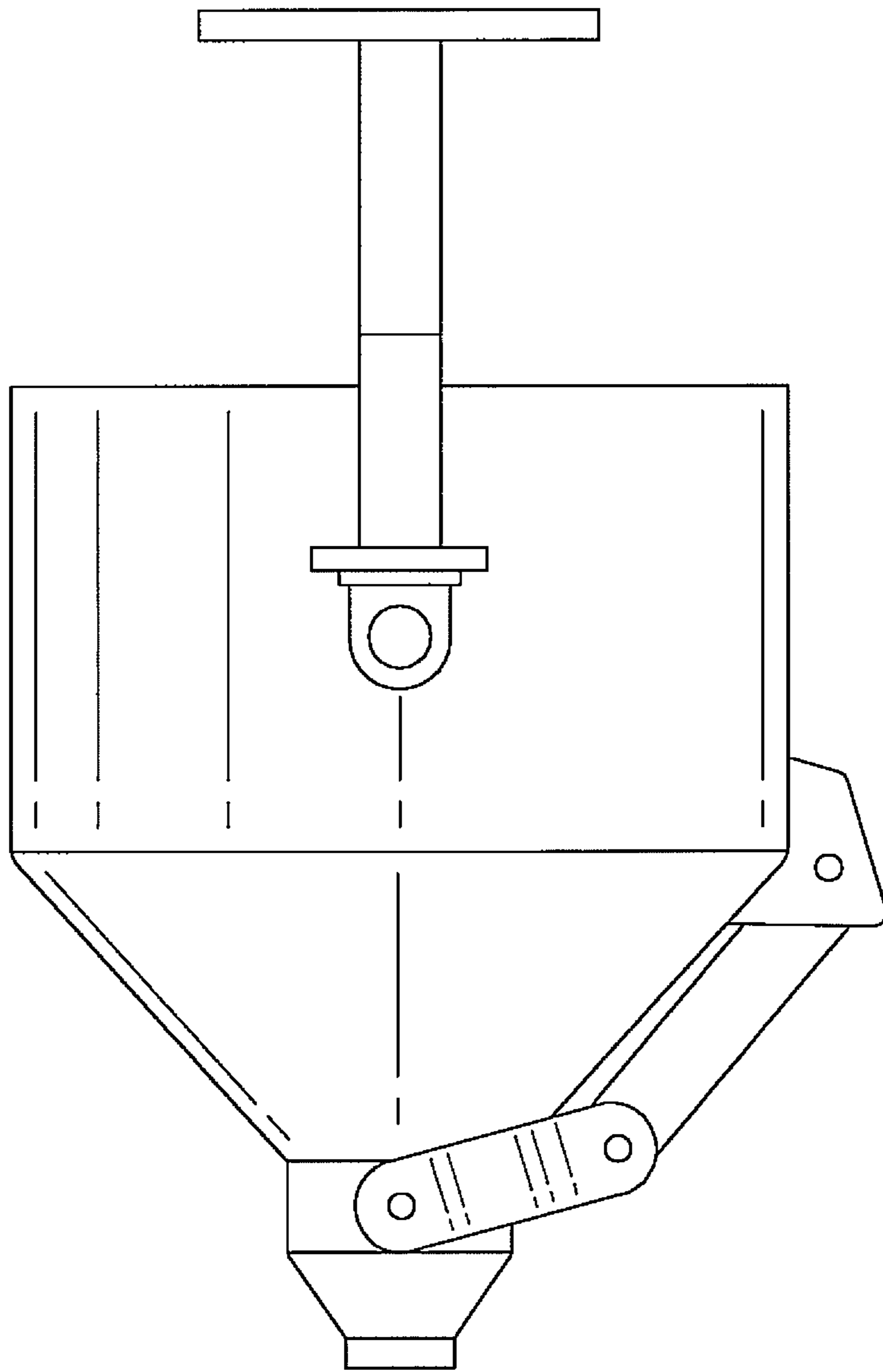


FIG. 5

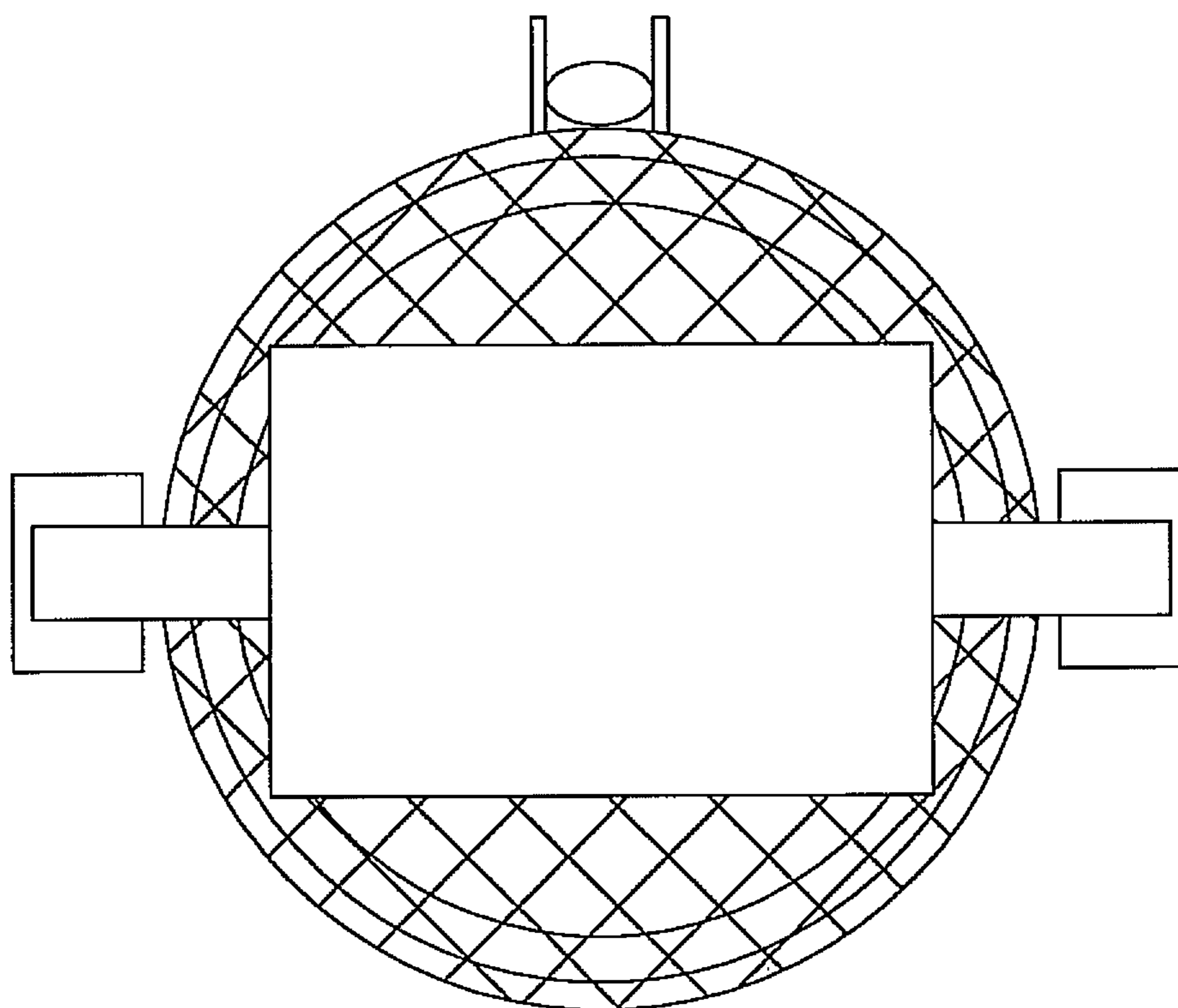


FIG. 6

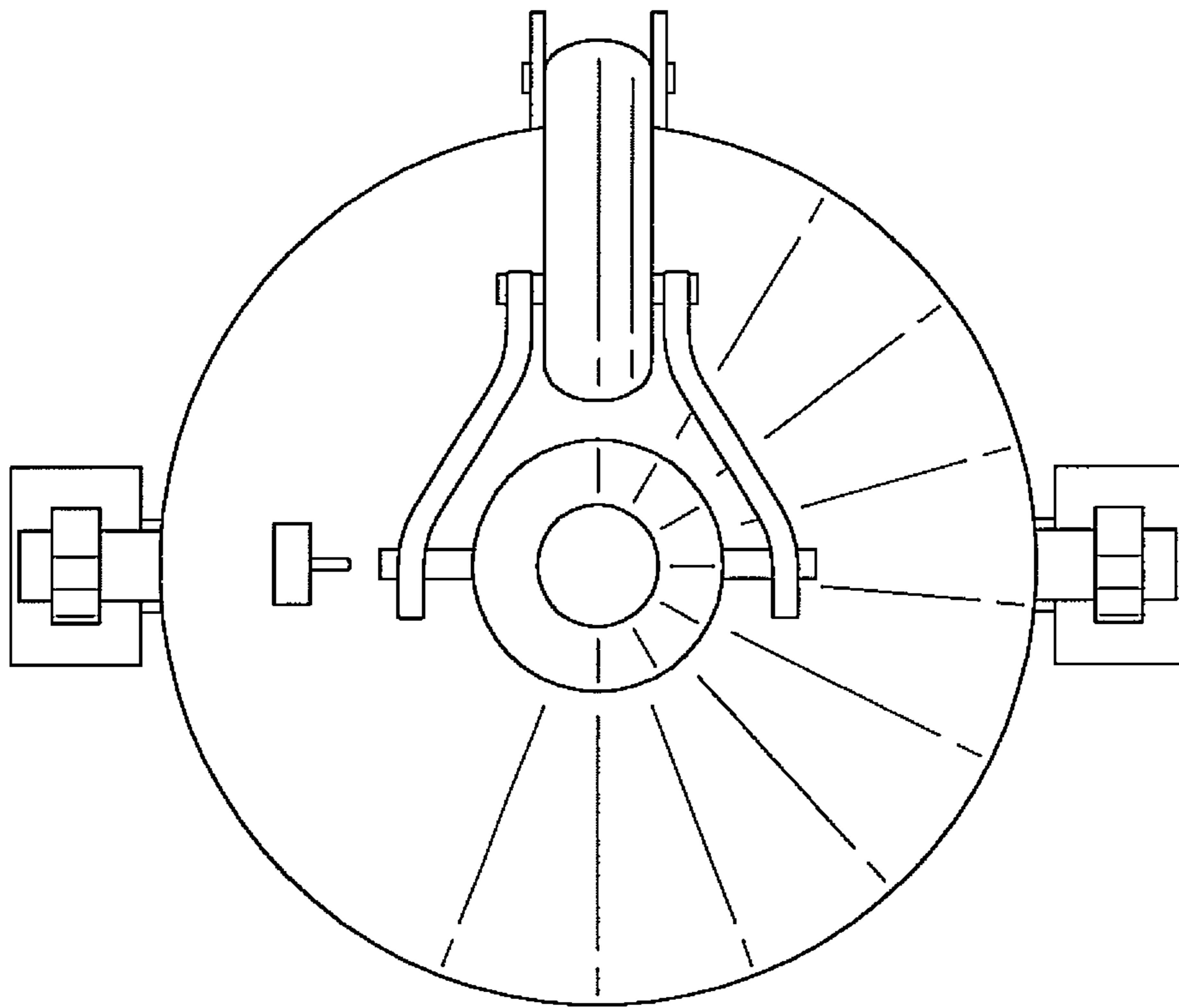


FIG. 7

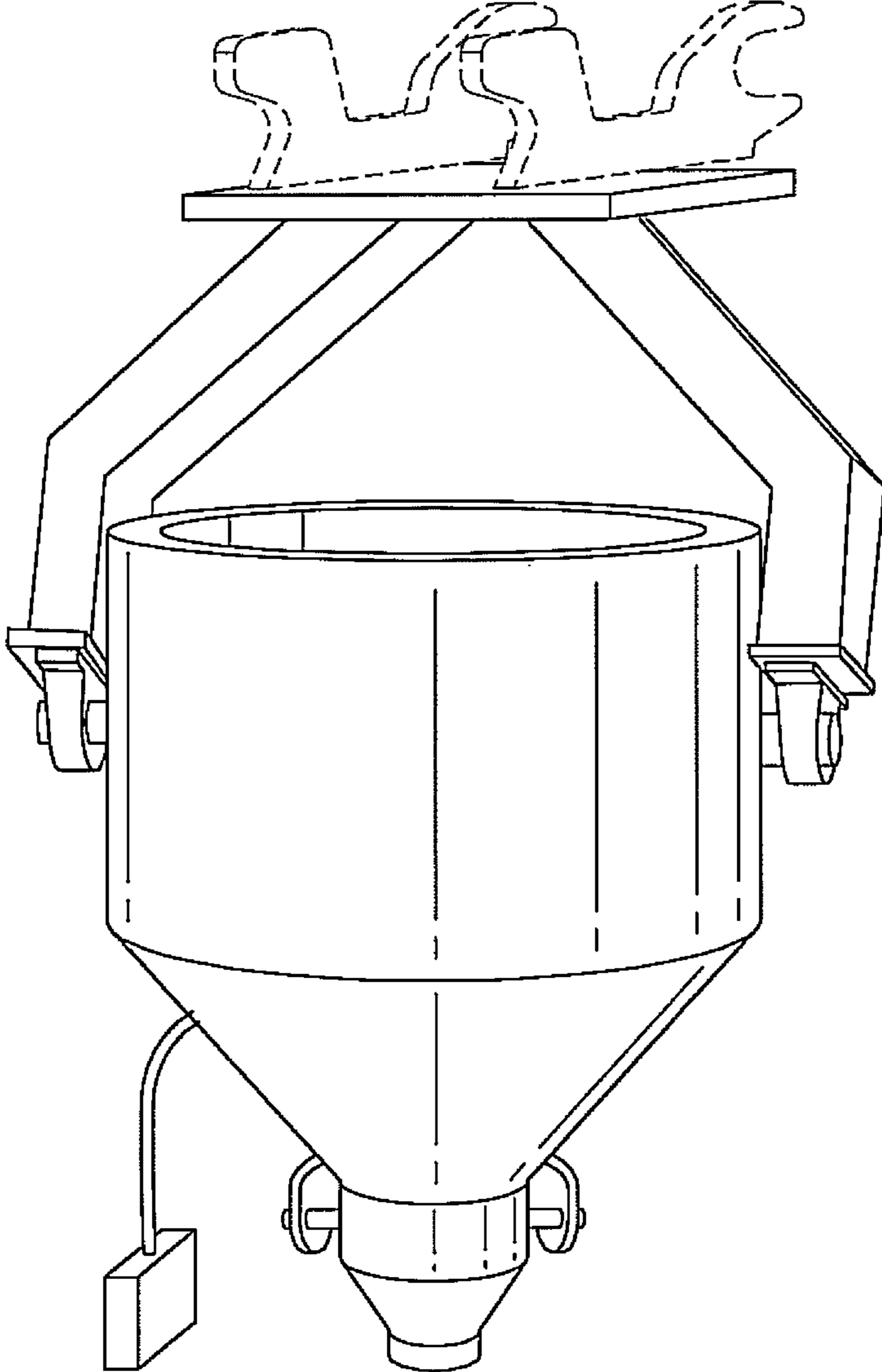


FIG. 8