



US00D742427S

(12) **United States Design Patent**
Langlais et al.

(10) **Patent No.:** **US D742,427 S**
(45) **Date of Patent:** **** Nov. 3, 2015**

(54) **IMPELLER FOR A ROTARY INJECTOR**

(71) Applicant: **RIO TINTO ALCAN INTERNATIONAL LIMITED,**
Montreal (CA)

(72) Inventors: **Joseph Langlais, Saguenay (CA); Peter Donald Waite, Saguenay (CA); Francis Breton, Saguenay (CA); Serge Munger, Saguenay (CA); Martin Beaulieu, Verdun (CA)**

1,634,204 A 6/1927 Nims
2,340,917 A 2/1944 Williamson
2,812,700 A 11/1957 Nelson
3,138,365 A 6/1964 Rundle
3,227,547 A 1/1966 Szekely
D233,320 S 10/1974 Svenson
4,283,357 A 8/1981 Sidery
D268,112 S 3/1983 Sugiura
4,456,424 A 6/1984 Araoka
4,802,656 A 2/1989 Hudault et al.
5,078,454 A 1/1992 Rollinson
5,080,715 A 1/1992 Provencher et al.

(Continued)

(73) Assignee: **RIO TINTO ALCAN INTERNATIONAL LIMITED,**
Montreal, QC

(**) Term: **14 Years**

(21) Appl. No.: **29/486,213**

(22) Filed: **Mar. 27, 2014**

Related U.S. Application Data

(63) Continuation-in-part of application No. 29/468,307, filed on Sep. 27, 2013, now Pat. No. Des. 713,861.

(51) **LOC (10) Cl.** **15-03**

(52) **U.S. Cl.**
USPC **D15/28**

(58) **Field of Classification Search**
USPC D15/28, 7, 138, 9; 266/225, 235, 217;
75/558, 528; 261/87
CPC B01F 3/04539; B01F 7/00291; B01F 7/16;
B01F 2003/04546; B01F 2003/04567; C22B
9/05; C22B 21/064
See application file for complete search history.

(56) **References Cited**

U.S. PATENT DOCUMENTS

1,579,355 A 4/1926 Greenwalt
1,583,591 A 5/1926 Greenwalt

FOREIGN PATENT DOCUMENTS

CA 2133154 3/1995
CA 2251230 7/2002
FR 2604107 A1 3/1988

Primary Examiner — Mark Goodwin

(74) *Attorney, Agent, or Firm* — Norton Rose Fulbright Canada LLP; Alexandre Dagust

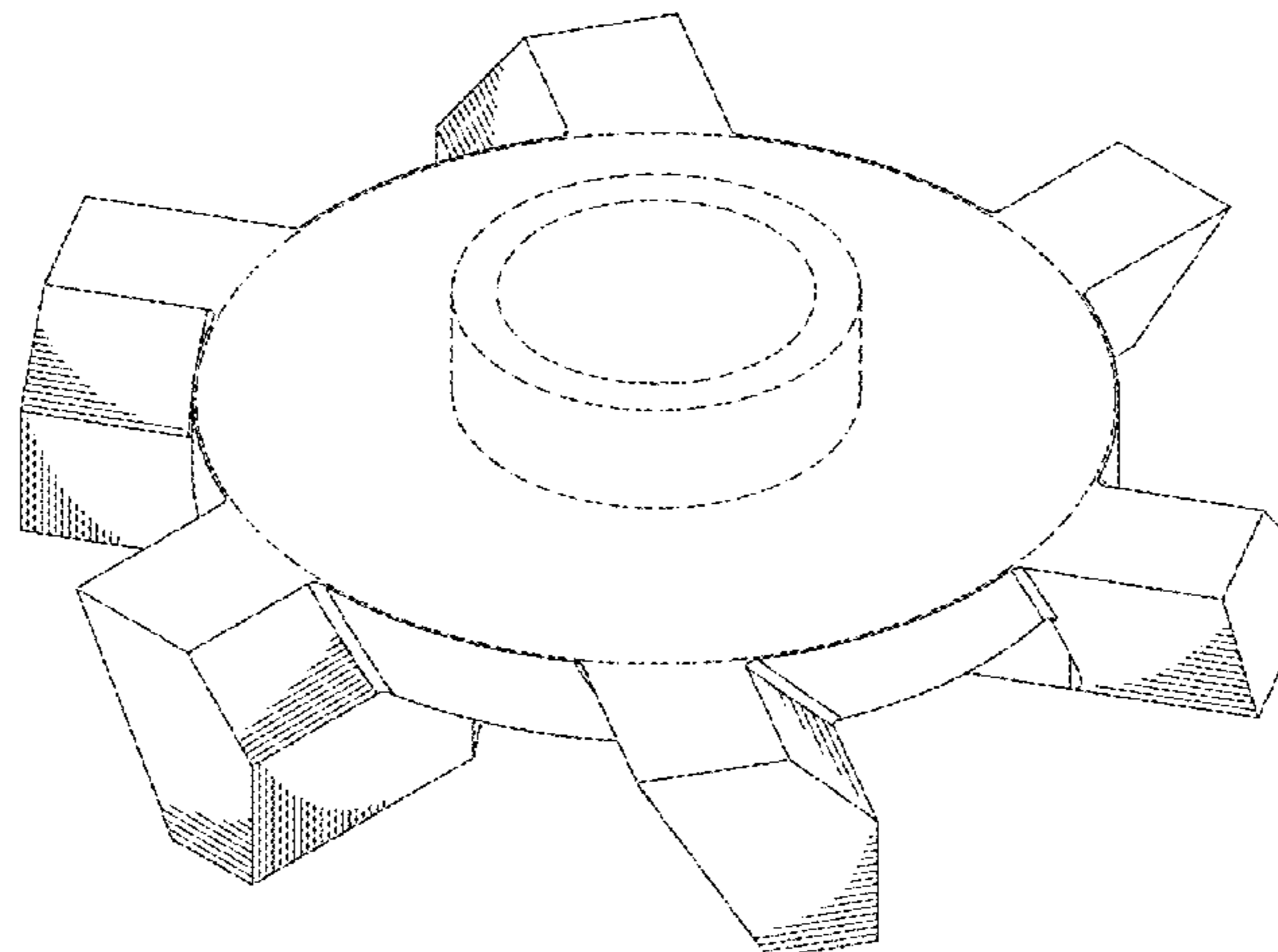
(57) **CLAIM**

The ornamental design for an impeller for a rotary injector, as shown and described.

DESCRIPTION

FIG. 1 is a perspective view, taken from above, of the impeller for a rotary injector showing our new design;
FIG. 2 is another perspective view, taken from below;
FIG. 3 is a top plan view thereof;
FIG. 4 is a front elevation view thereof, the rear elevation view being identical to the front view;
FIG. 5 is a left side elevation view thereof, the right side elevation view being identical to the left side view; and,
FIG. 6 is a bottom plan view thereof.
The dashed line showing of structural lines is included for the purpose of illustrating non-claimed subject matter and forms no part of the claimed design.

1 Claim, 5 Drawing Sheets



(56)

References Cited

U.S. PATENT DOCUMENTS

D325,209 S	4/1992	Rollinson	6,589,313 B2	7/2003	Bilodeau et al.
5,143,357 A	9/1992	Gilbert et al.	6,689,310 B1	2/2004	Cooper
5,314,525 A	5/1994	Eckert et al.	6,723,276 B1	4/2004	Cooper
D355,253 S	2/1995	Jansen et al.	6,960,239 B2	11/2005	Bilodeau et al.
5,458,816 A	10/1995	Ebner et al.	D518,831 S	4/2006	Bowsher
5,586,863 A	12/1996	Gilbert et al.	D617,815 S	6/2010	Tarui et al.
5,597,289 A	1/1997	Thut	D631,065 S	1/2011	Burgess et al.
5,951,243 A *	9/1999	Cooper 415/110	7,997,788 B2	8/2011	Bell et al.
6,012,748 A	1/2000	Franks	8,409,495 B2 *	4/2013	Cooper 266/239
6,019,576 A	2/2000	Thut	D681,704 S	5/2013	Stoyanov
6,394,430 B1	5/2002	Forschner et al.	8,444,911 B2	5/2013	Cooper
			8,535,603 B2	9/2013	Cooper
			D713,861 S *	9/2014	Langlais et al. D15/28
			2004/0021257 A1	2/2004	Bertherat et al.

* cited by examiner

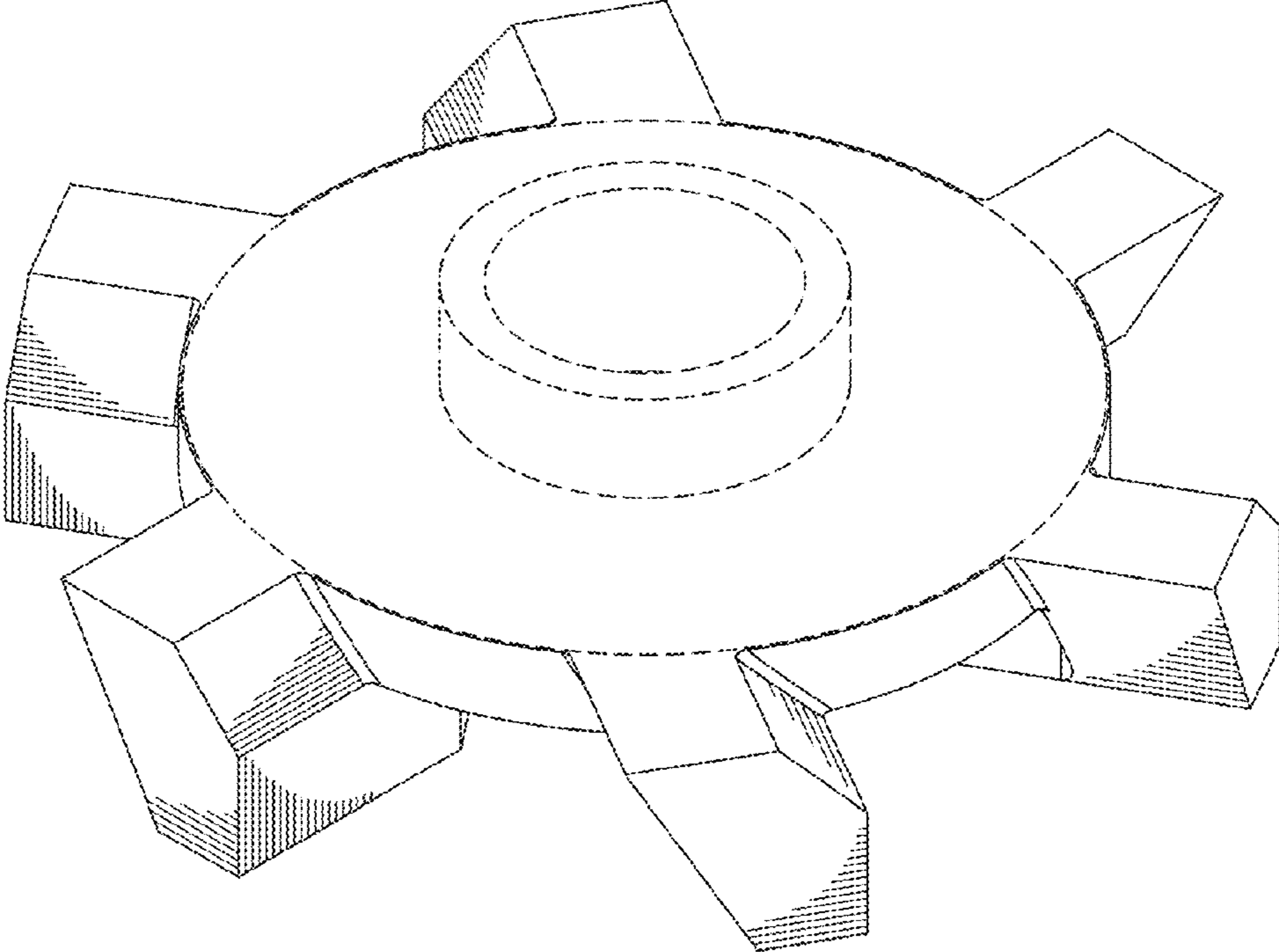


FIG. 1

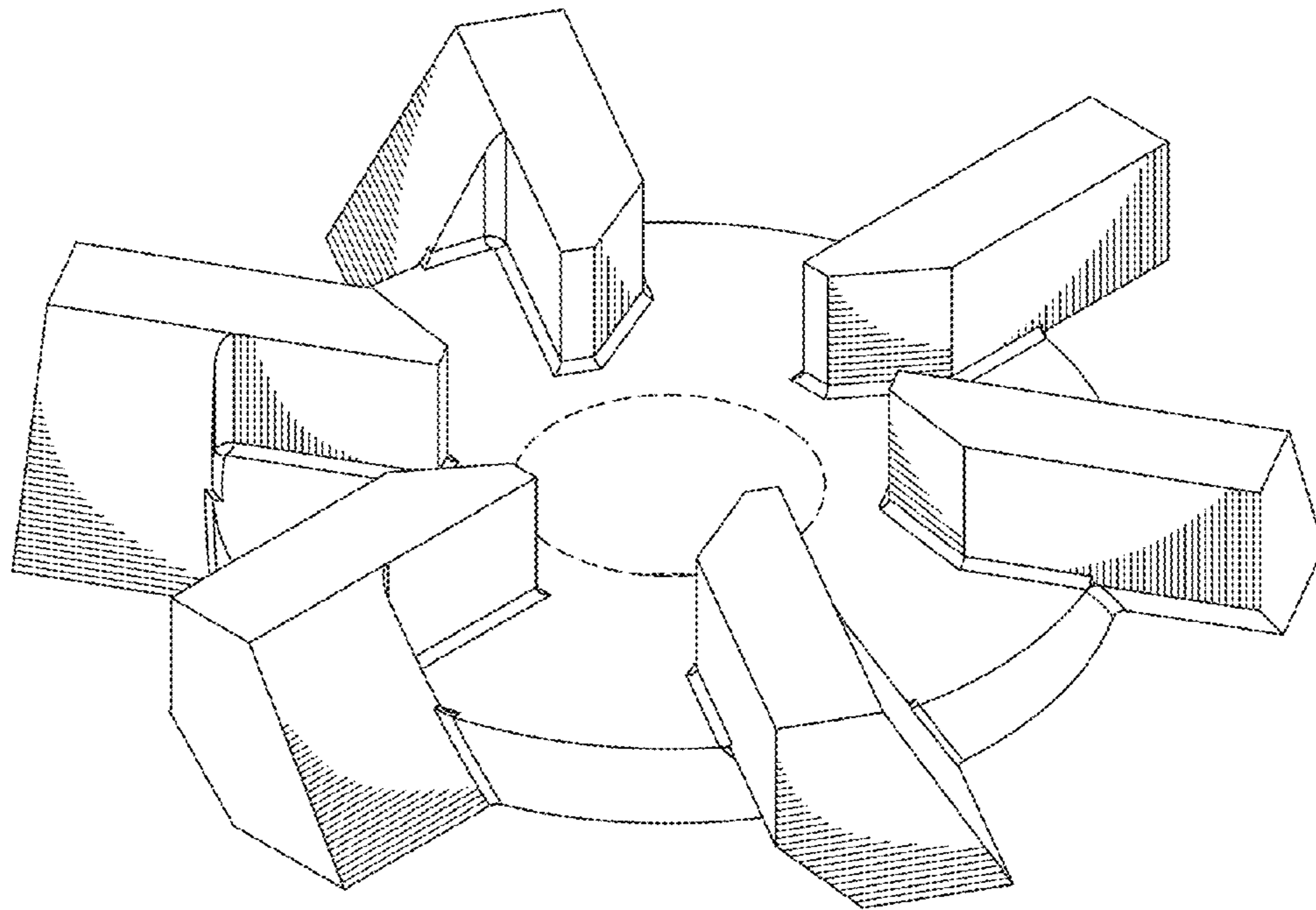


FIG. 2

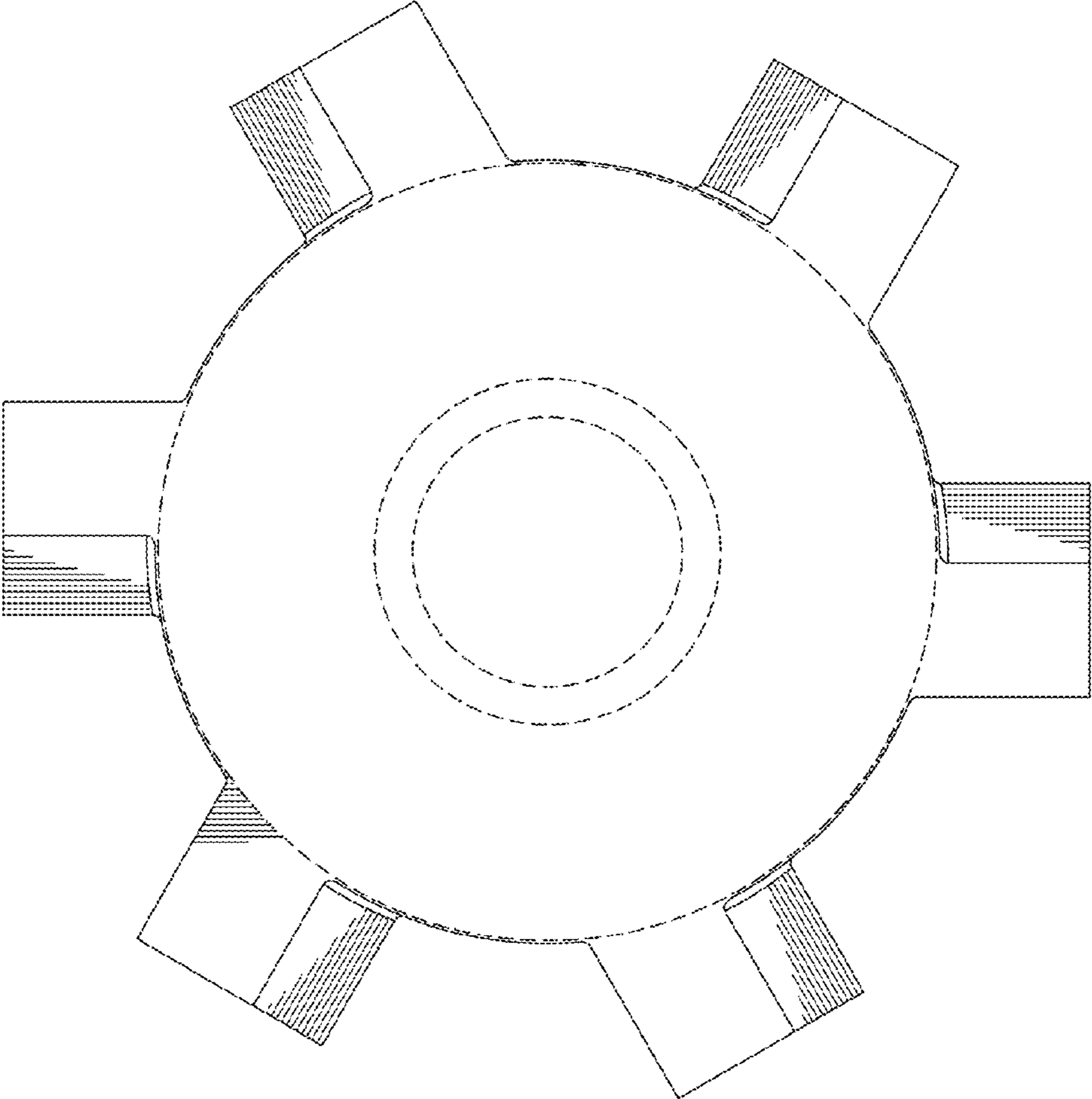


FIG. 3

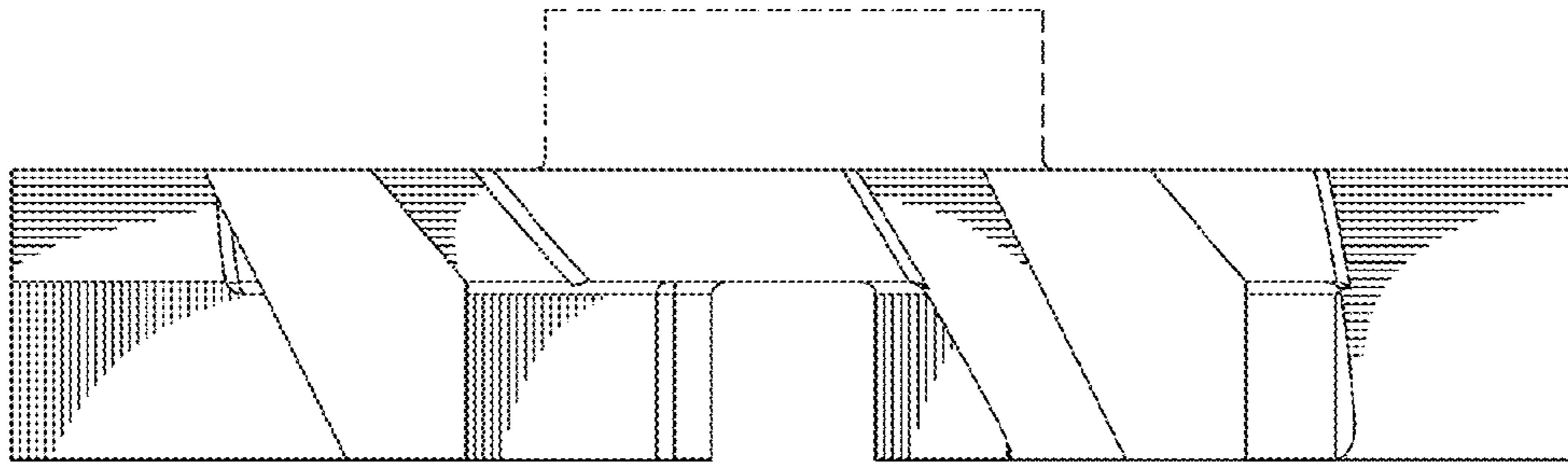


FIG. 4

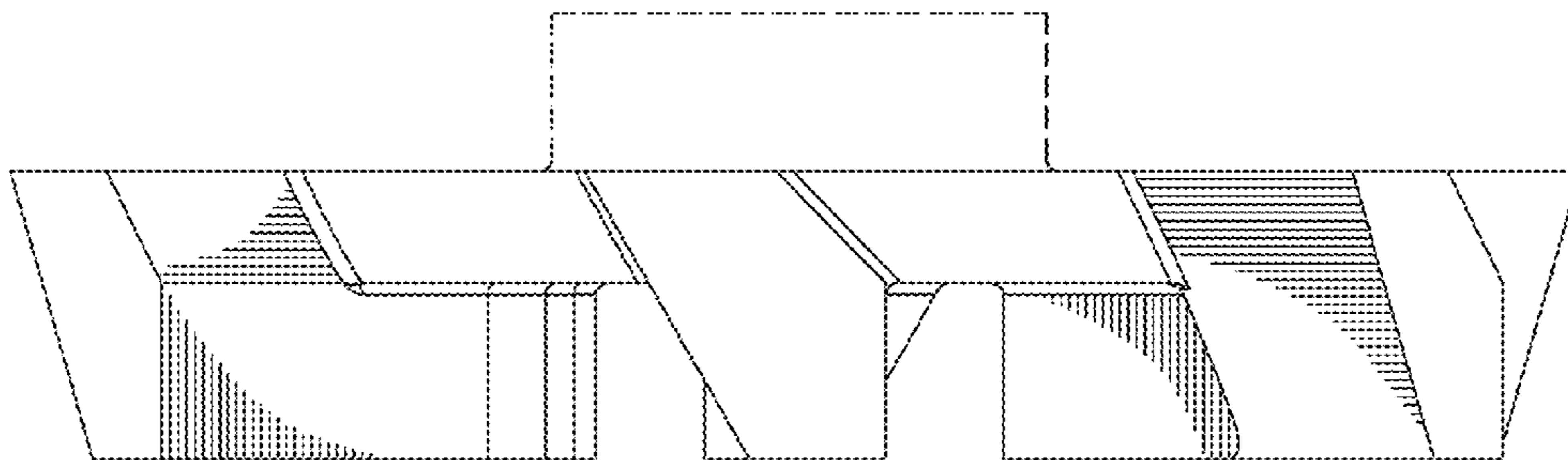


FIG. 5

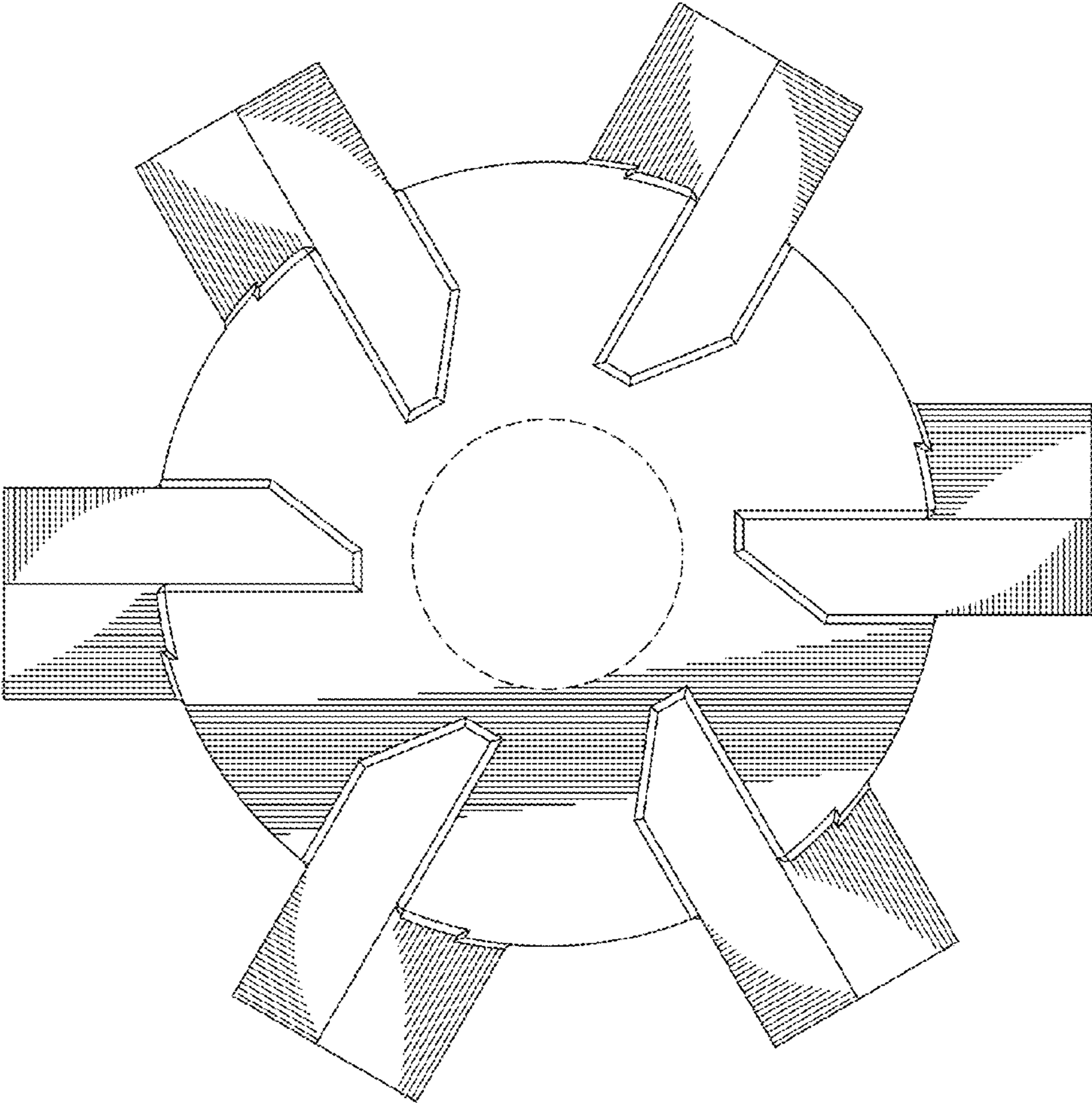


FIG. 6