



US00D742426S

(12) **United States Design Patent**
Okuyama et al.

(10) **Patent No.:** **US D742,426 S**

(45) **Date of Patent:** **** Nov. 3, 2015**

(54) **TRACTOR**

(71) Applicant: **Yanmar Co., Ltd.**, Osaka-shi, Osaka (JP)

(72) Inventors: **Kiyoyuki Okuyama**, Yamagata (JP);
Shinya Kawashiri, Osaka (JP)

(73) Assignee: **YANMAR CO., LTD.**, Osaka (JP)

(**) Term: **14 Years**

(21) Appl. No.: **29/480,177**

(22) Filed: **Jan. 23, 2014**

(30) **Foreign Application Priority Data**

Jul. 24, 2013 (JP) 2013-16904

(51) **LOC (10) CL.** **12-09**

(52) **U.S. CL.**
USPC **D15/28**; D12/204; D12/23; D15/23

(58) **Field of Classification Search**
USPC D15/23, 33, 28; D12/204, 205, 208,
D12/207; 180/89.1, 89.12, 900; 15/13.4,
15/13.3, 15.8, 15.9, 16.1, 19.7, 175, 202
CPC B60B 7/00; B60B 7/02; B60B 7/04;
B60B 7/01; B60B 7/06; B60B 3/02; B60B
3/04; B60B 3/06; B60B 3/10; B60B 1/00;
B60B 1/08; B60B 1/10; B60B 1/12; B62D
33/0617; B62D 33/06; B62D 33/063
See application file for complete search history.

(56) **References Cited**

U.S. PATENT DOCUMENTS

D440,234 S * 4/2001 Katoh et al. D15/23
D602,047 S * 10/2009 Kushita et al. D15/23
D721,106 S * 1/2015 Okuyama et al. D15/33
D728,439 S * 5/2015 Hashimoto D12/204
2013/0257139 A1 * 10/2013 Goto 301/64.101

* cited by examiner

Primary Examiner — Cynthia Ramirez

(74) *Attorney, Agent, or Firm* — Sterne, Kessler, Goldstein & Fox P.L.L.C.

(57) **CLAIM**

The ornamental design for a tractor, as shown and described.

DESCRIPTION

FIG. 1 is a front perspective view of a tractor showing our new design;

FIG. 2 is a rear perspective view thereof;

FIG. 3 is a front view thereof;

FIG. 4 is a rear view thereof;

FIG. 5 is a top plan view thereof;

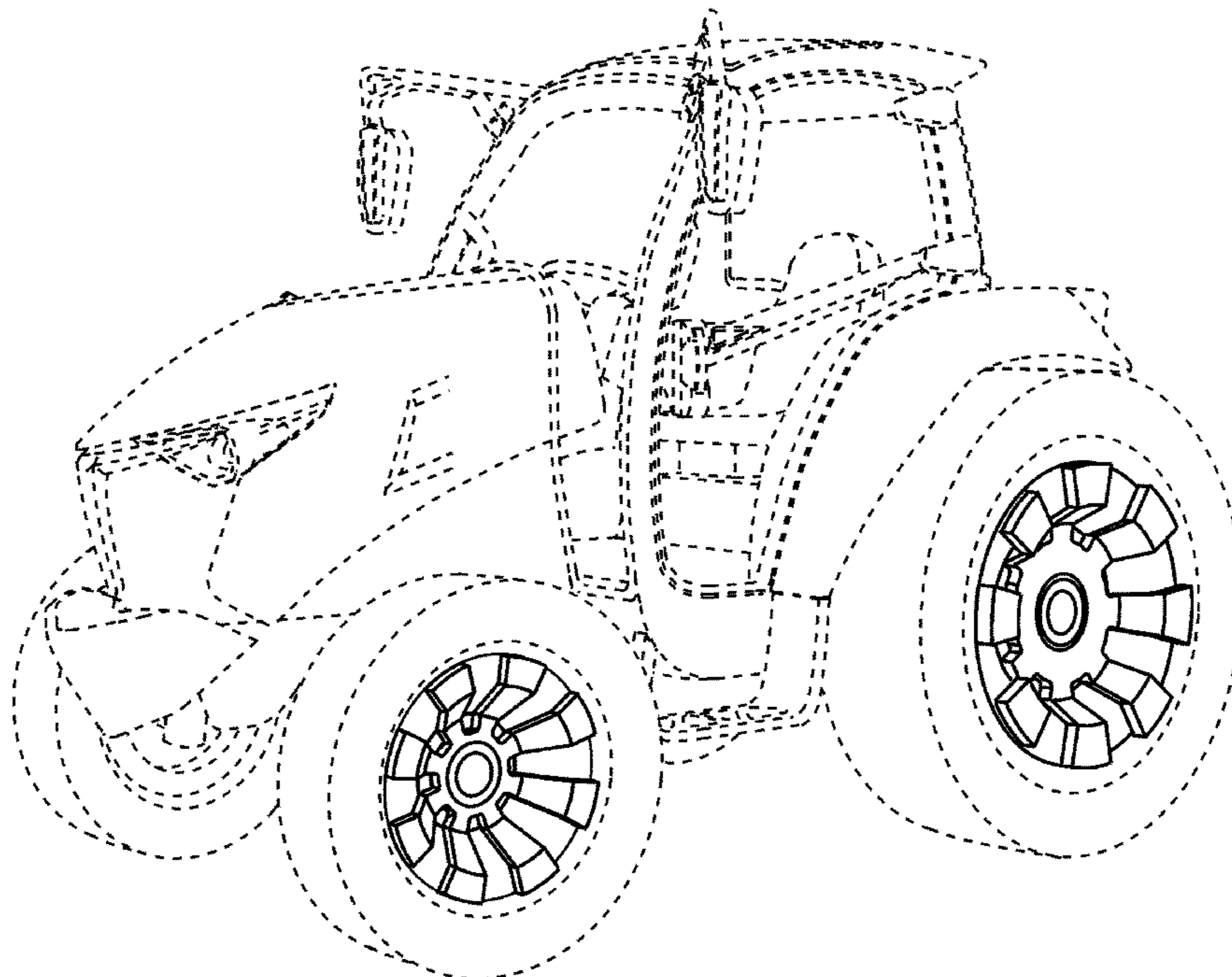
FIG. 6 is a bottom plan view thereof;

FIG. 7 is a left side view thereof; and,

FIG. 8 is a right side view thereof.

The broken lines shown in the figures are included for the purpose of illustrating environment and form no part of the claimed design.

1 Claim, 8 Drawing Sheets



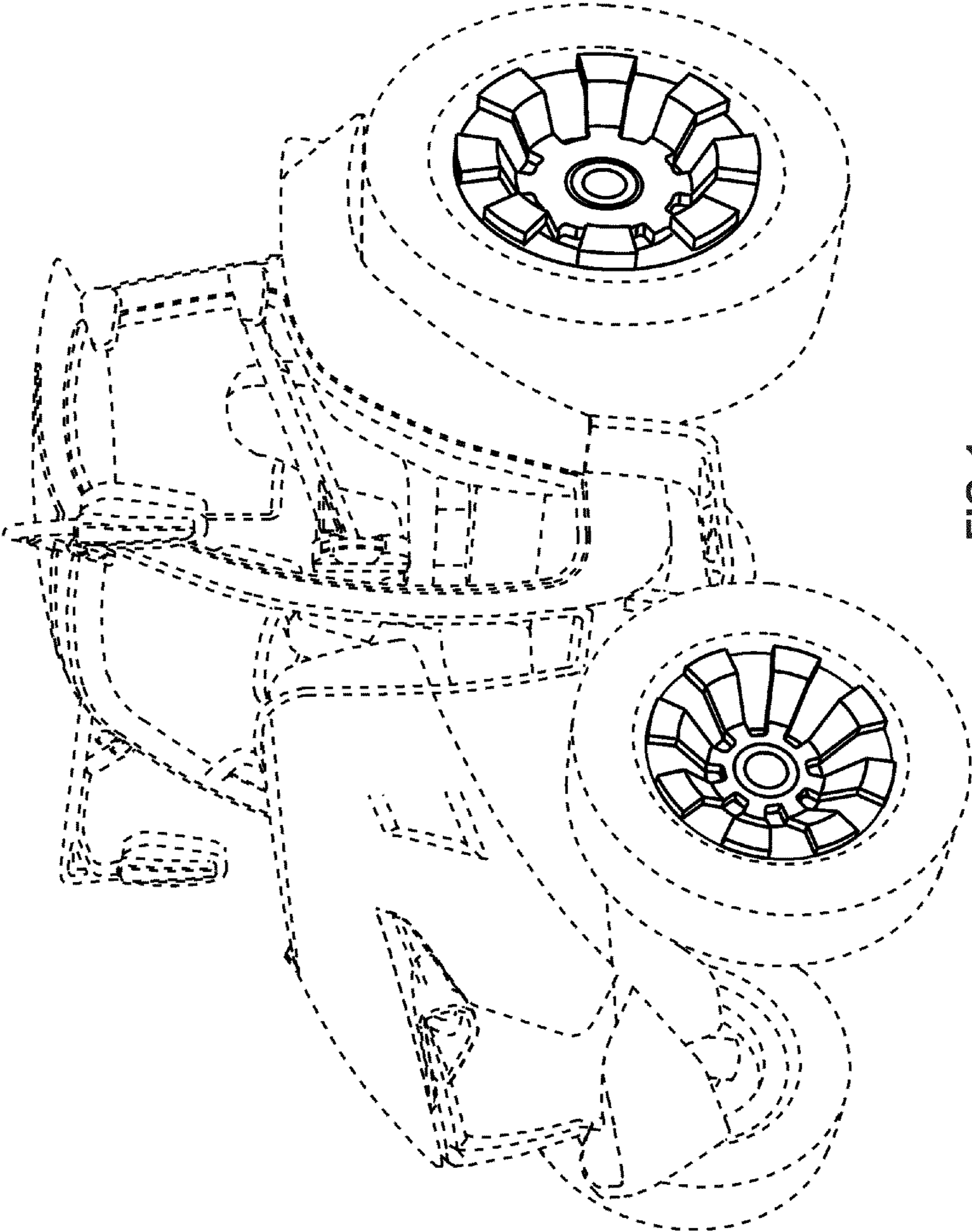


FIG. 1

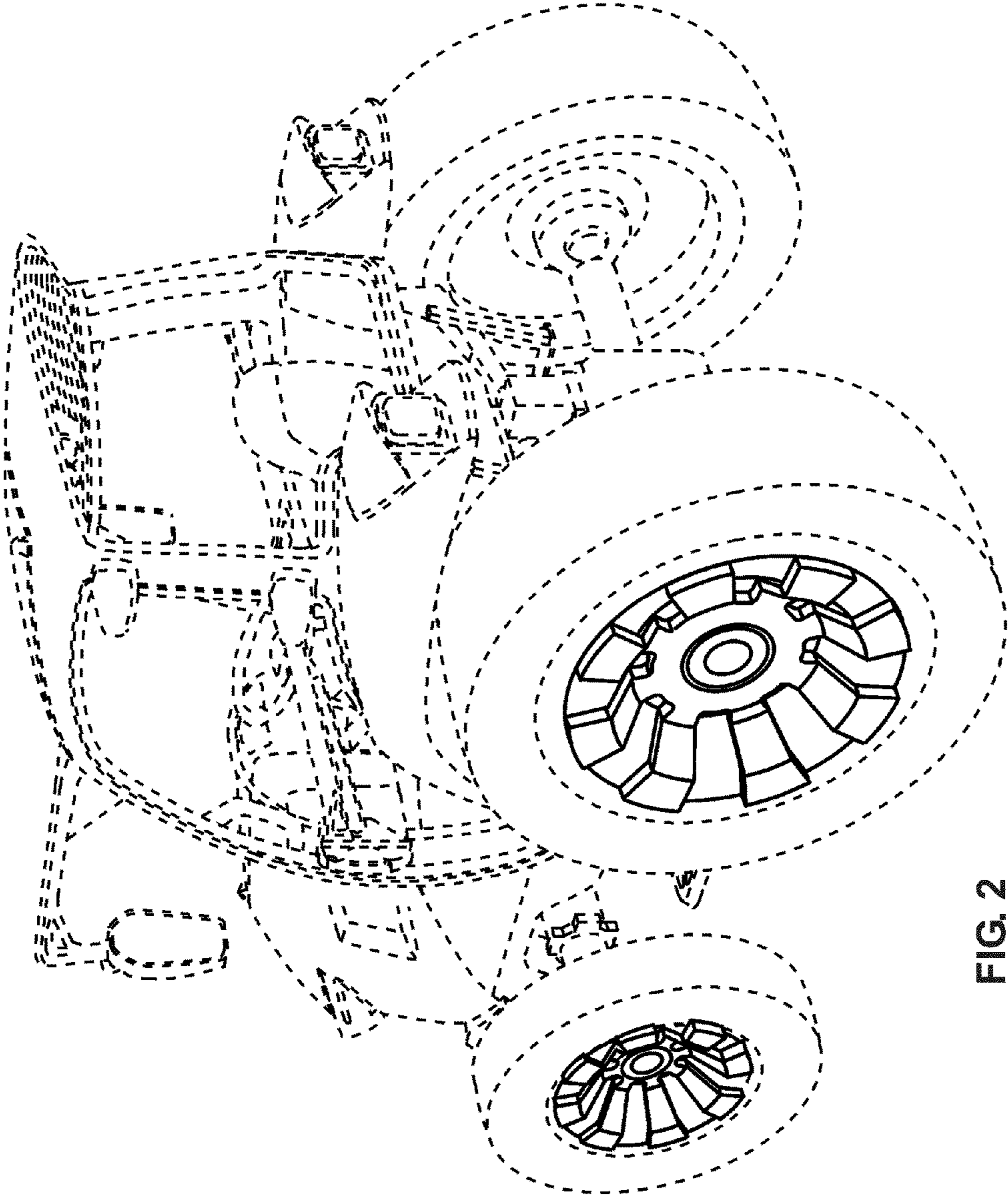


FIG. 2

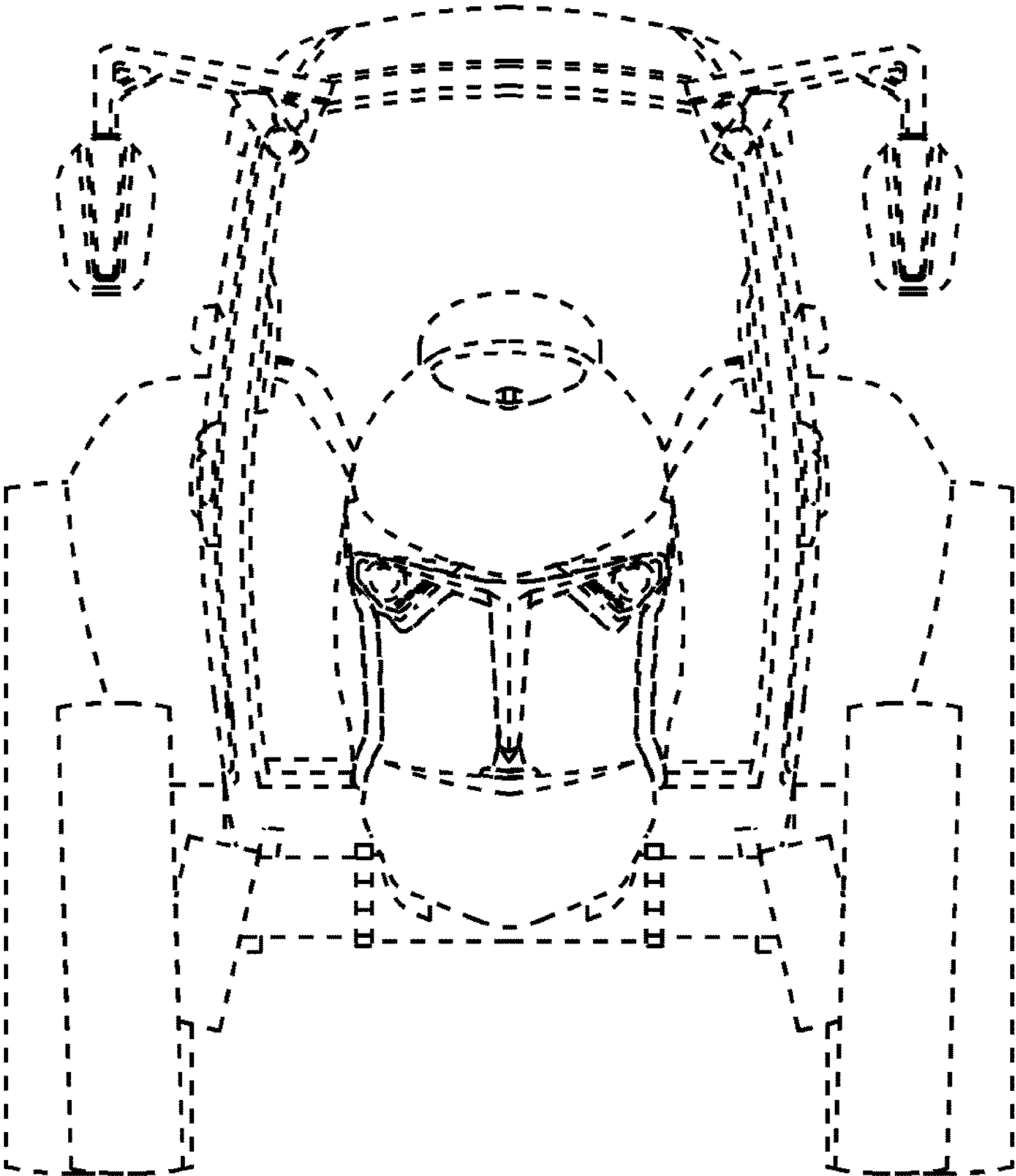


FIG. 3

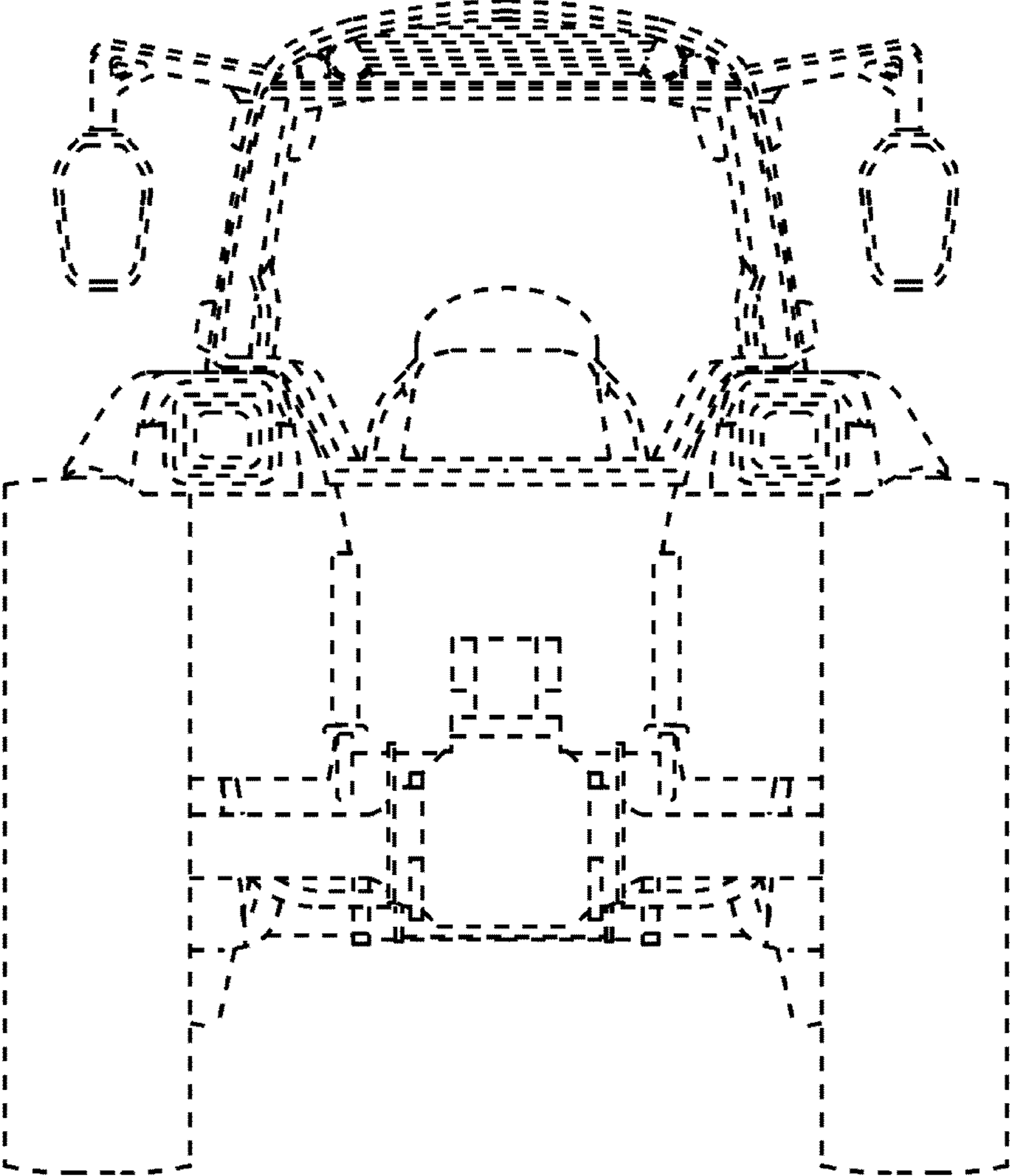


FIG. 4

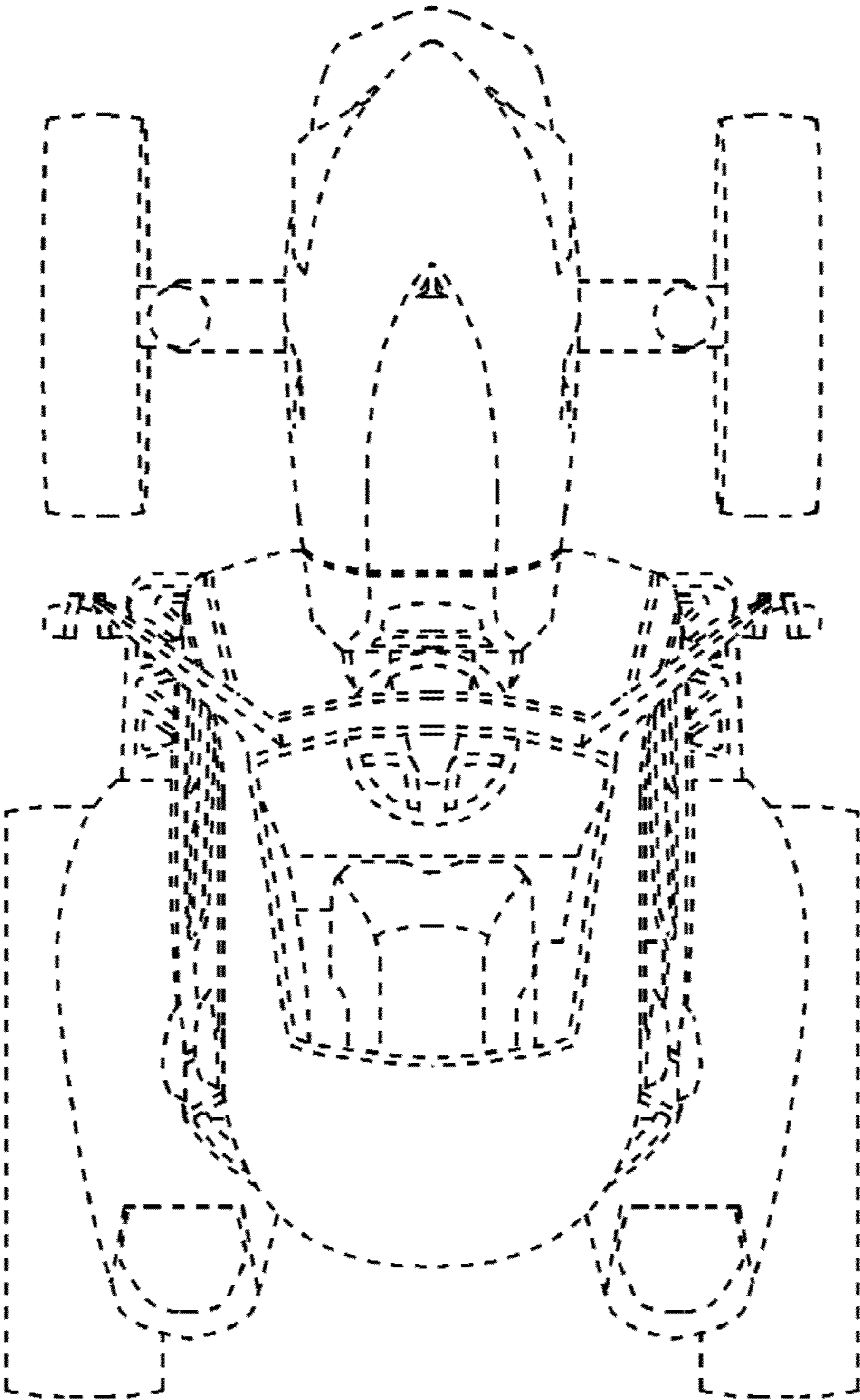


FIG. 5

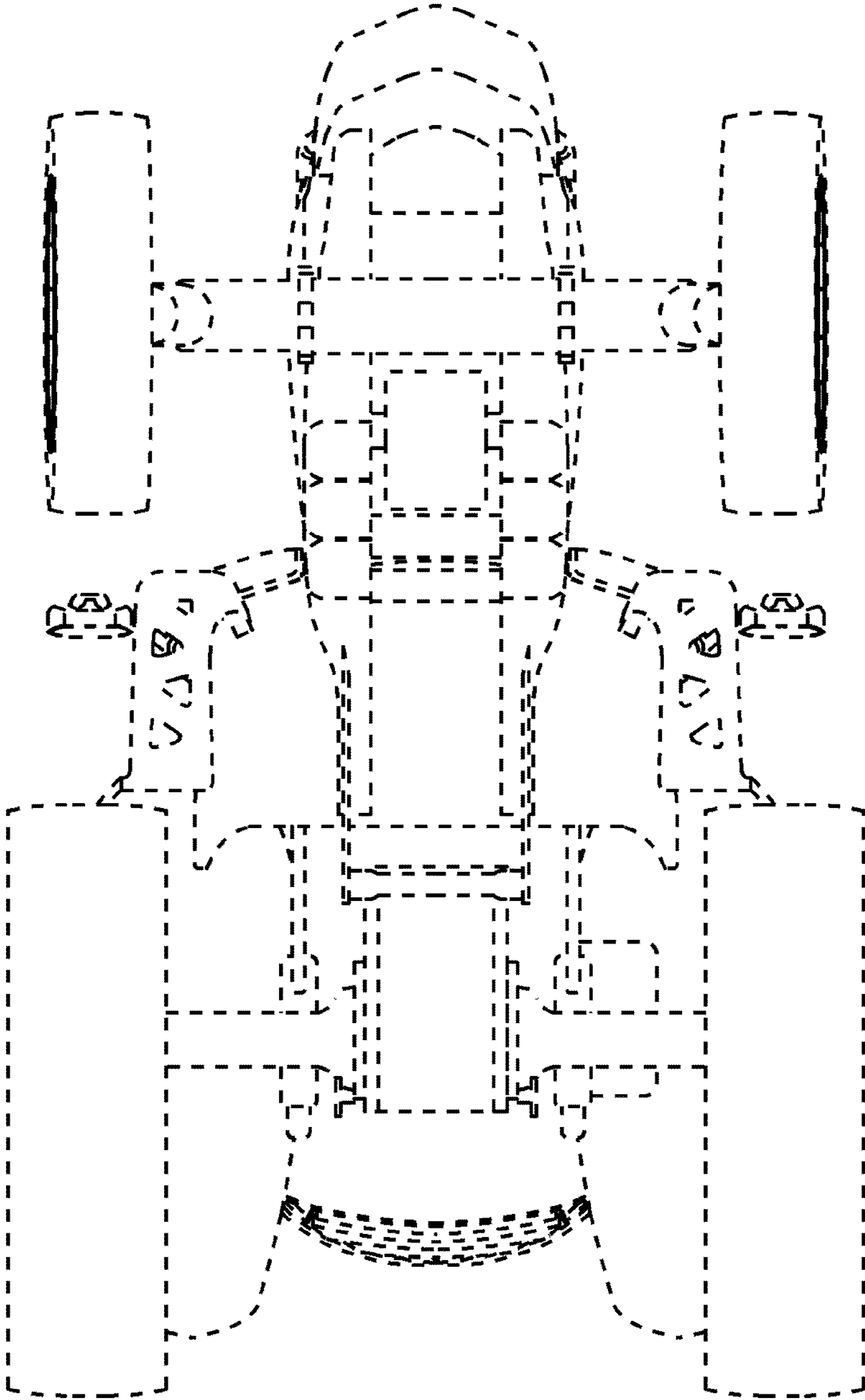


FIG. 6

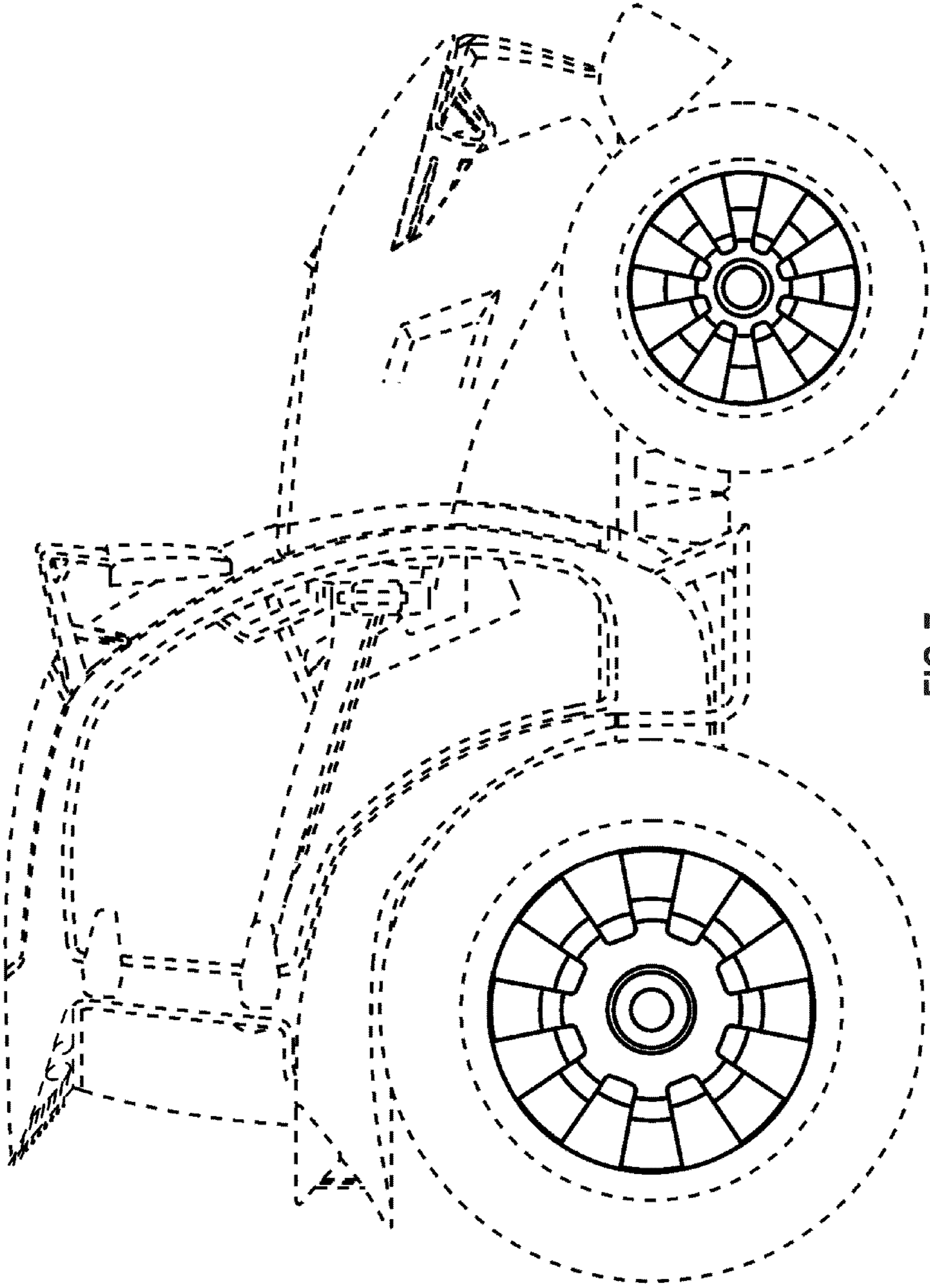


FIG. 7

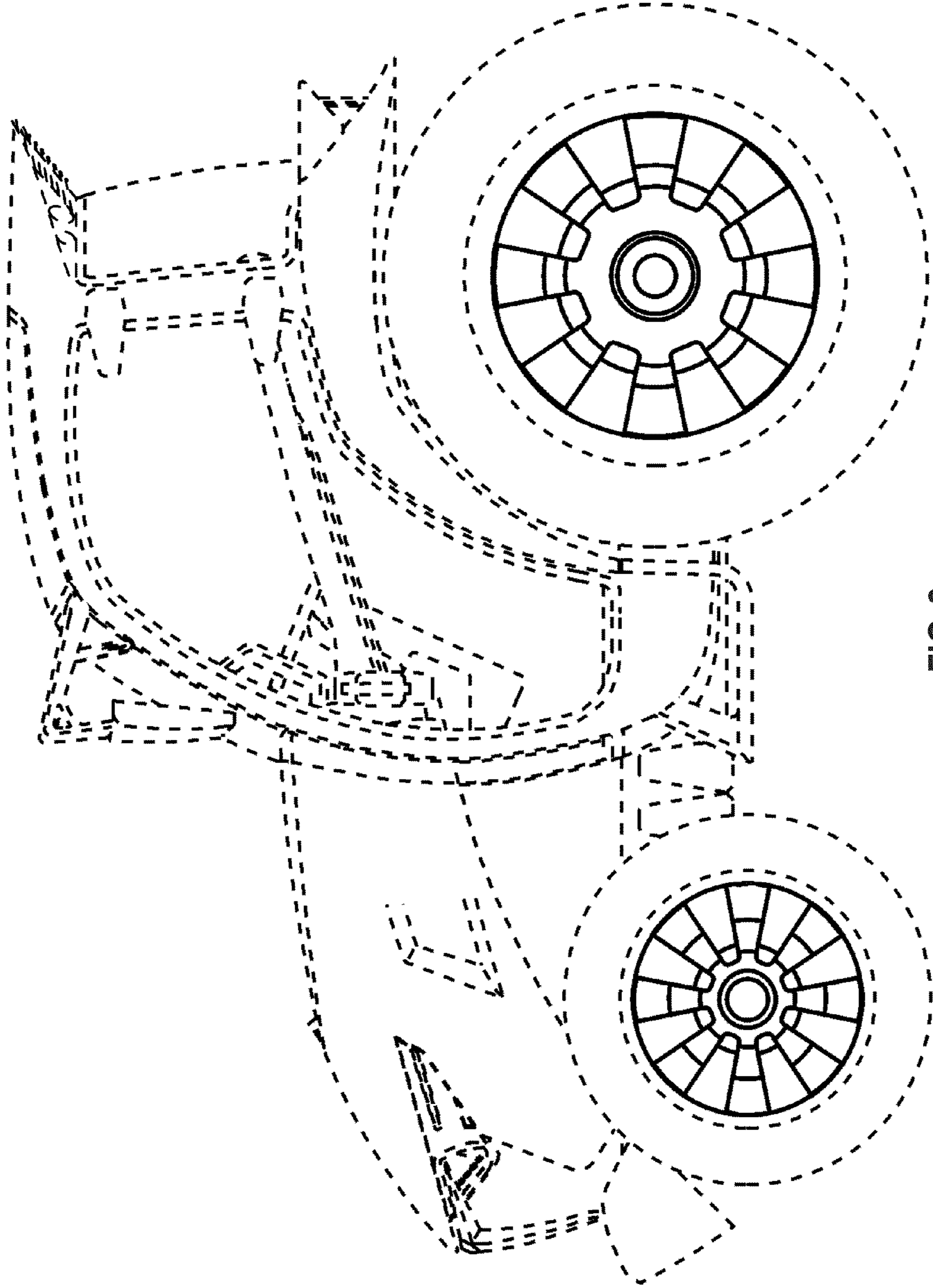


FIG. 8