



US00D742424S

(12) **United States Design Patent**  
**Turner et al.**

(10) **Patent No.:** **US D742,424 S**  
(45) **Date of Patent:** **\*\* Nov. 3, 2015**

(54) **WHEELED LOADING SHOVEL VEHICLE**

(56) **References Cited**

(71) Applicant: **J.C. BAMFORD EXCAVATORS LIMITED**, Uttoxeter (GB)  
(72) Inventors: **Michael Turner**, Uttoxeter (GB); **Toby Mellor**, Uttoxeter (GB); **Duncan MacMillan**, Uttoxeter (GB); **Luke Tracey**, Uttoxeter (GB); **Neil Hyde**, Uttoxeter (GB); **Andy Gaskin**, Uttoxeter (GB); **Laurie Pay**, Uttoxeter (GB); **Mark Prince**, Uttoxeter (GB); **Jason Burgess**, Uttoxeter (GB); **Simon Davies**, Uttoxeter (GB); **Stuart Jones**, Uttoxeter (GB); **Juan Carlos Ramires**, Uttoxeter (GB); **John Boughton**, Uttoxeter (GB); **Damian Underwood**, Uttoxeter (GB)  
(73) Assignee: **J.C. BAMFORD EXCAVATORS LIMITED**, Uttoxeter (GB)

U.S. PATENT DOCUMENTS

D326,858	S	*	6/1992	Skeel et al.	.....	D15/25
D364,408	S	*	11/1995	Bryant et al.	.....	D15/25
D405,807	S	*	2/1999	Amy et al.	.....	D15/25
D410,930	S	*	6/1999	Kim et al.	.....	D15/25
D540,352	S	*	4/2007	Sato et al.	.....	D15/25
D549,738	S	*	8/2007	Hiraoka et al.	.....	D15/25
D590,846	S	*	4/2009	Kinsinger et al.	.....	D15/25
D636,000	S	*	4/2011	Kim et al.	.....	D15/25
D652,061	S	*	1/2012	Hiraoka et al.	.....	D15/23
D652,062	S	*	1/2012	Hiraoka et al.	.....	D15/23
D693,853	S	*	11/2013	Hiraoka et al.	.....	D15/23
D708,232	S	*	7/2014	Furuki et al.	.....	D15/23

\* cited by examiner

*Primary Examiner* — Mark Goodwin

(74) *Attorney, Agent, or Firm* — Marshall, Gerstein & Borun LLP

(\*\*) Term: **14 Years**

(57) **CLAIM**

The ornamental design for a wheeled loading shovel vehicle, as shown and described.

(21) Appl. No.: **29/496,159**

(22) Filed: **Jul. 10, 2014**

**DESCRIPTION**

(30) **Foreign Application Priority Data**

Jan. 10, 2014 (EM) ..... 001399273

(51) **LOC (10) Cl.** ..... **12-09**

(52) **U.S. Cl.**  
USPC ..... **D15/25**

(58) **Field of Classification Search**  
USPC ..... D15/10, 22-26, 33; D21/431; 37/403, 37/409, 442, 443; 180/89.1, 89.12, 89.13; 296/190.03; 414/685, 694, 722, 724  
CPC ... F02D 11/105; F02D 41/10; F02D 41/2422; F02D 2200/702; E02F 9/2066

See application file for complete search history.

FIG. 1 is a top plan view of a wheeled loading shovel vehicle that has the design.  
FIG. 2 is a left side elevation view of the wheeled loading shovel vehicle.  
FIG. 3 is a front elevation view.  
FIG. 4 is a rear elevation view.  
FIG. 5 is a right side elevation view; and,  
FIG. 6 is a bottom plan view.  
The broken line showing of the JCB trademark is included for the purpose of illustrating environmental structure only and forms no part of the claimed design.

**1 Claim, 3 Drawing Sheets**





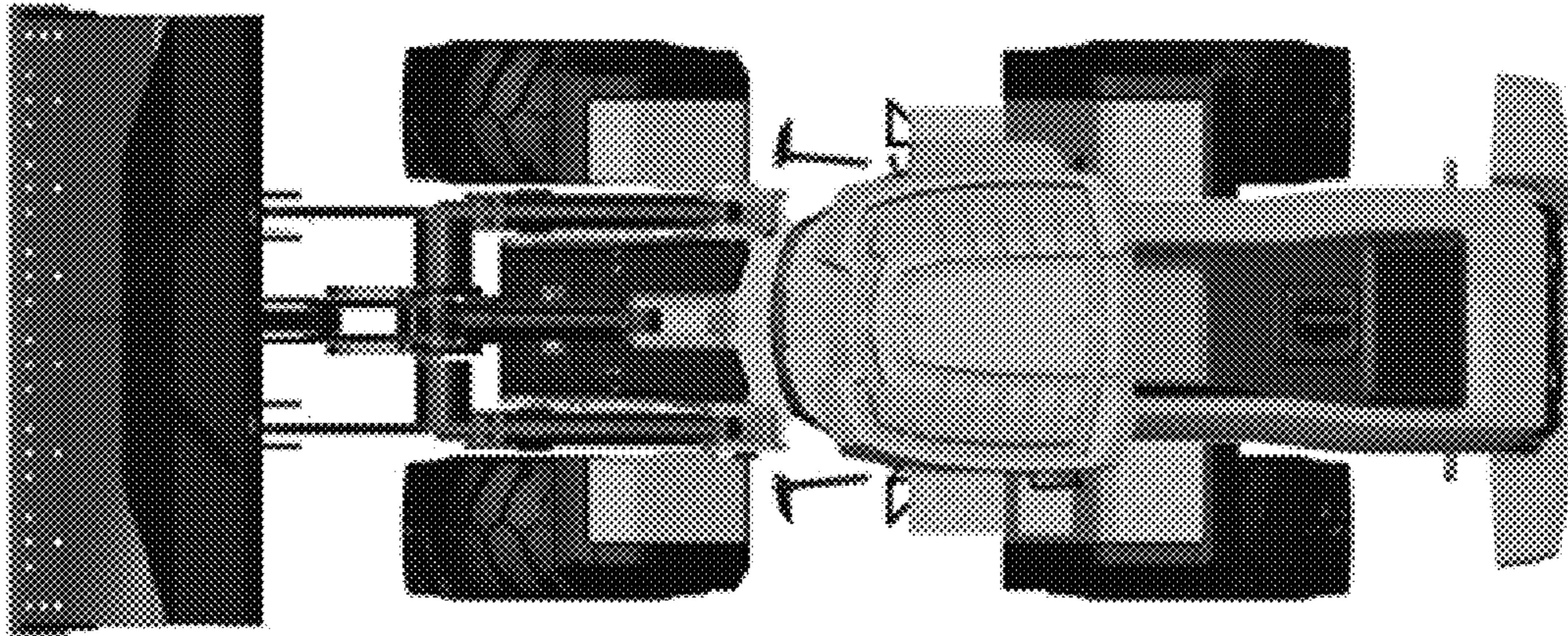


Fig. 1

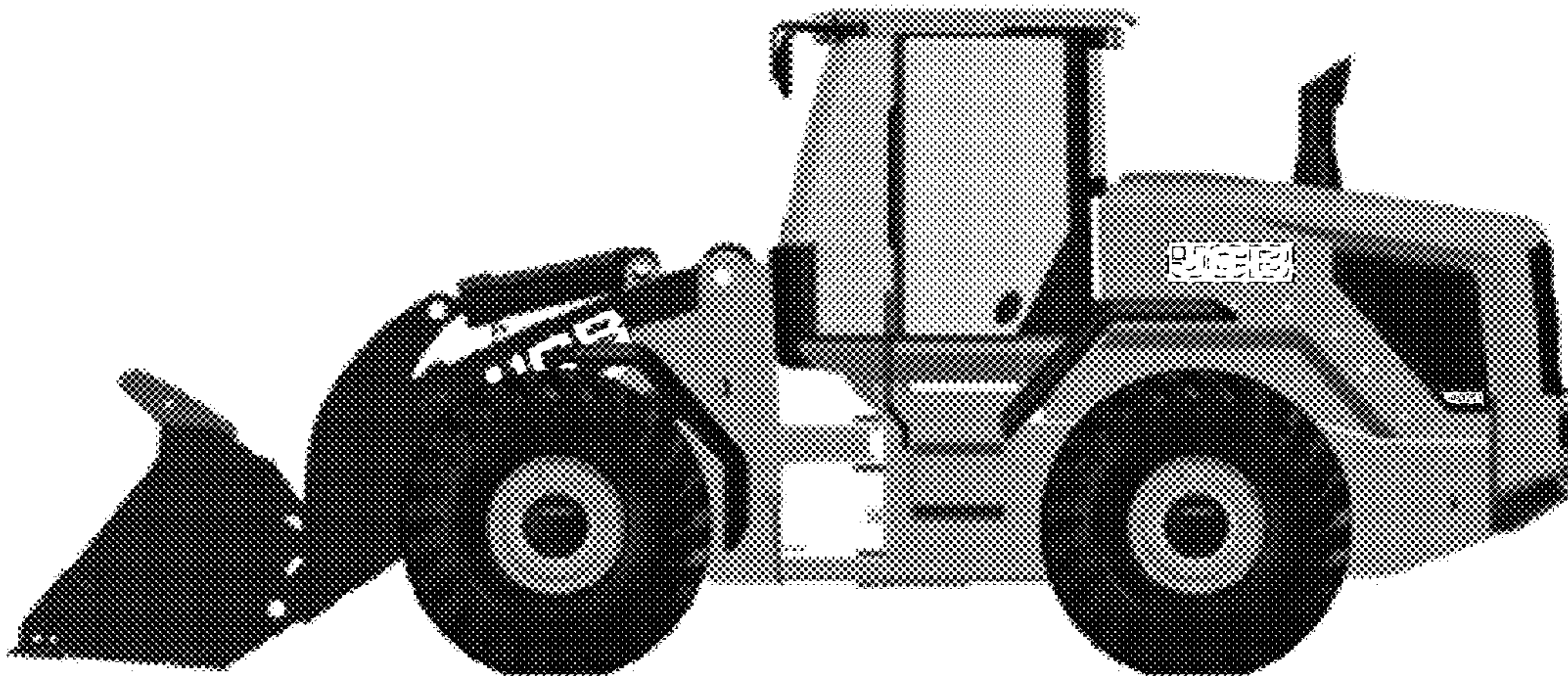


Fig. 2



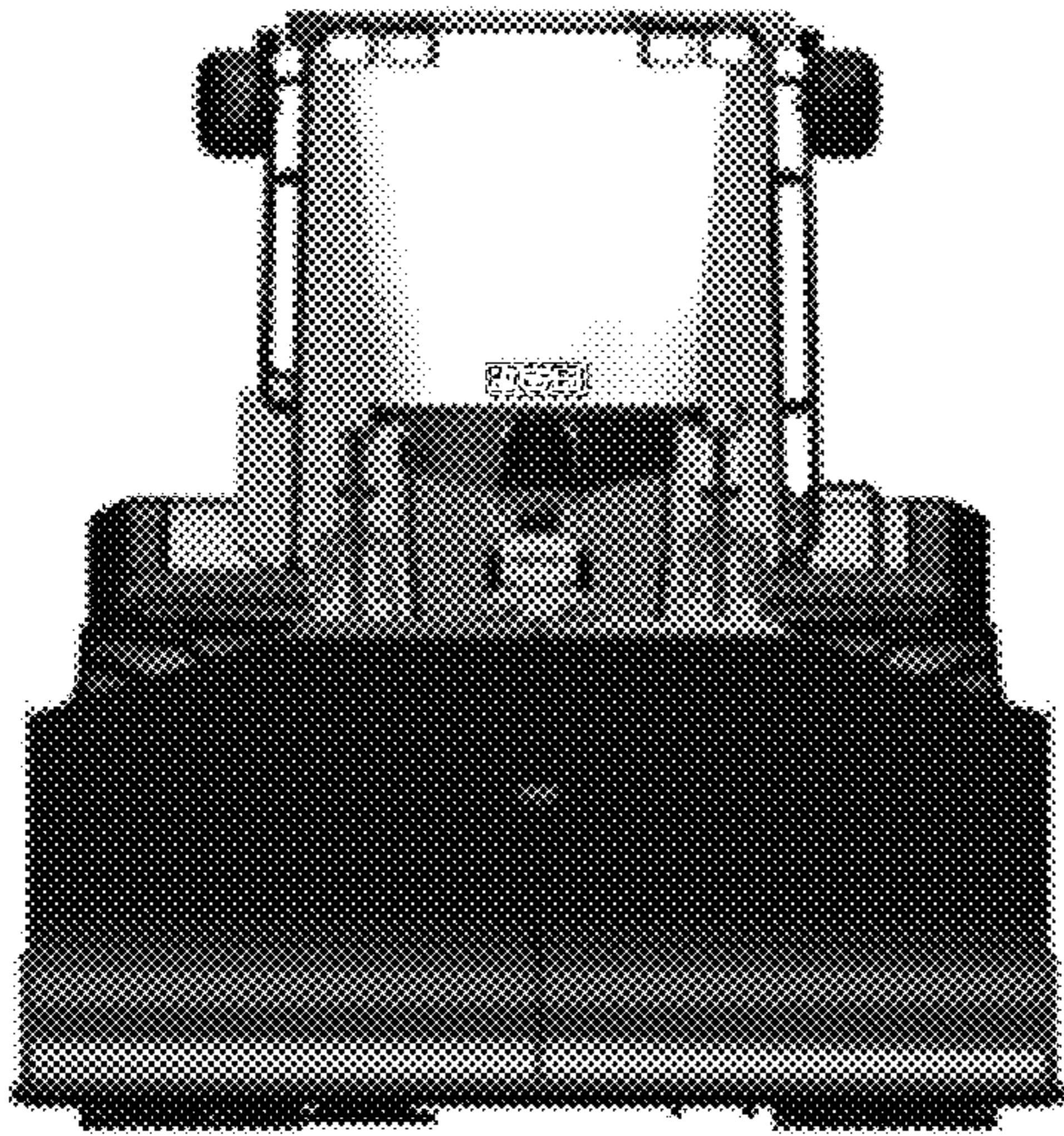


Fig. 3

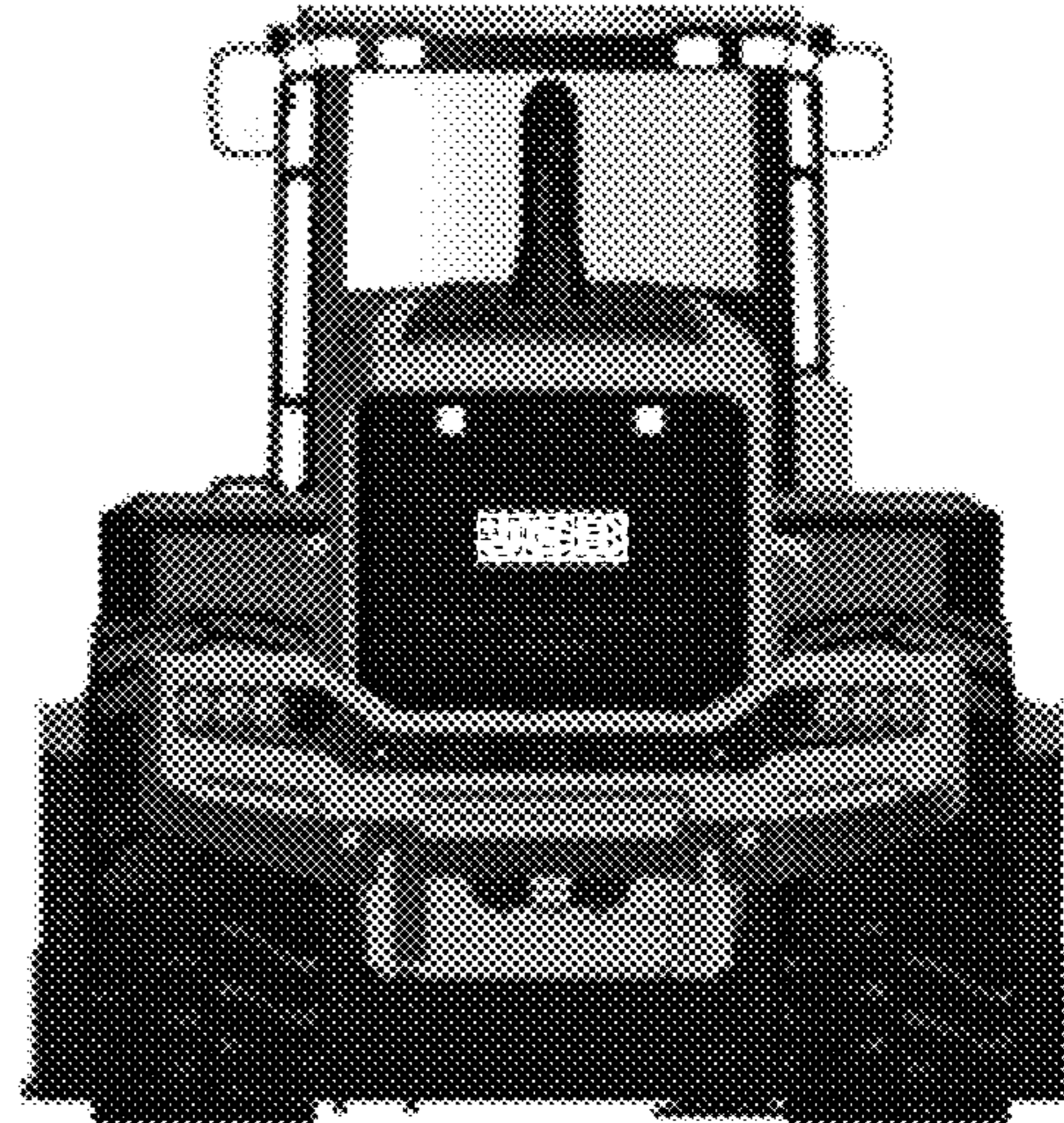
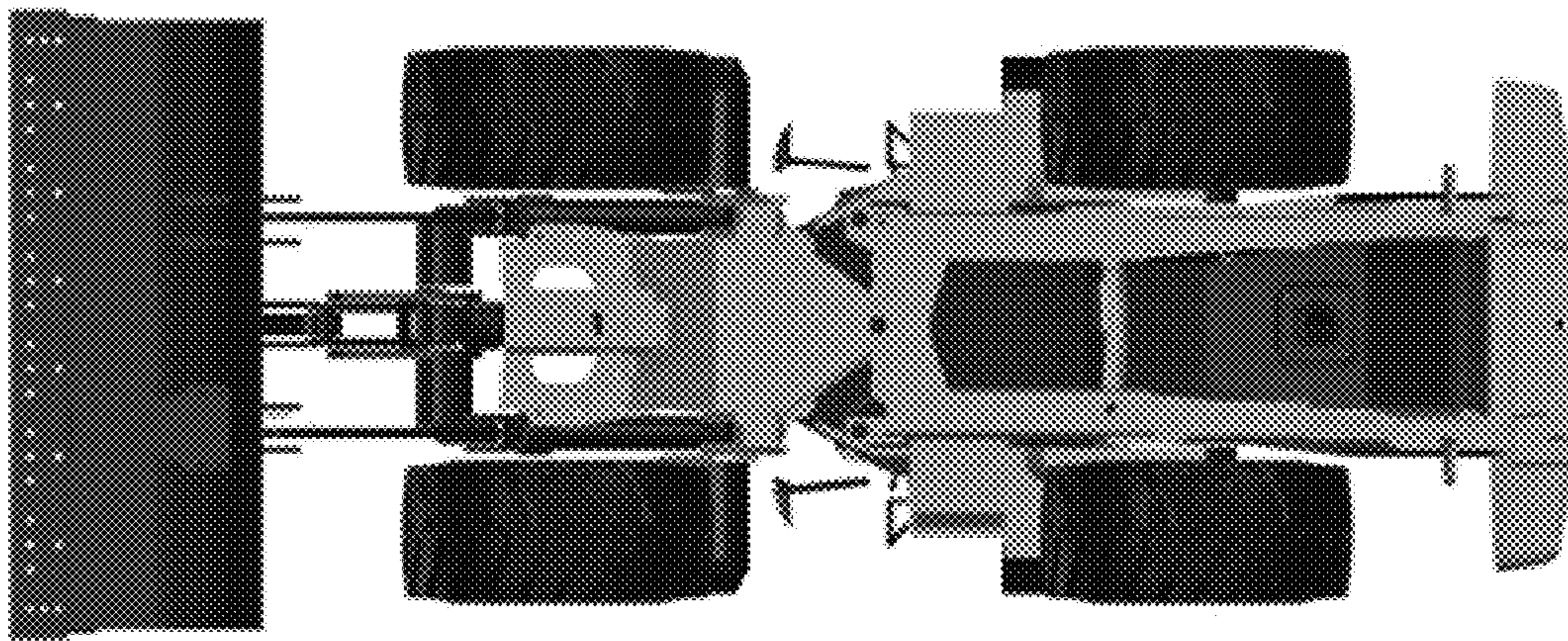


Fig. 4



Fig. 5





*Fig. 6*