



US00D742423S

(12) **United States Design Patent**
Coste

(10) **Patent No.:** **US D742,423 S**

(45) **Date of Patent:** **** Nov. 3, 2015**

(54) **MOBILE EARTHMOVING MACHINE**

(71) Applicant: **Caterpillar Inc.**, Peoria, IL (US)

(72) Inventor: **Arnaud Coste**, Grenoble (FR)

(73) Assignee: **Caterpillar Inc.**, Peoria, IL (US)

(**) Term: **14 Years**

(21) Appl. No.: **29/483,319**

(22) Filed: **Feb. 27, 2014**

(30) **Foreign Application Priority Data**

Sep. 2, 2013 (EM) 002301168

(51) **LOC (10) Cl.** **12-09**

(52) **U.S. Cl.**
USPC **D15/24; D15/22**

(58) **Field of Classification Search**
USPC D15/22-26; 180/89.1, 89.12, 89.13,
180/89.16, 89.19, 89.18; 296/190.01,
296/190.08, 190.04; 37/379; 414/660, 680,
414/685

See application file for complete search history.

(56) **References Cited**

U.S. PATENT DOCUMENTS

4,220,215	A *	9/1980	Stark	180/6.7
6,409,459	B1 *	6/2002	Ginn et al.	414/685
D538,303	S *	3/2007	Kumagai et al.	D15/24
D552,629	S *	10/2007	Kumagai et al.	D15/24
D573,161	S *	7/2008	Betz et al.	D15/25

* cited by examiner

Primary Examiner — Robin V Webster

(57) **CLAIM**

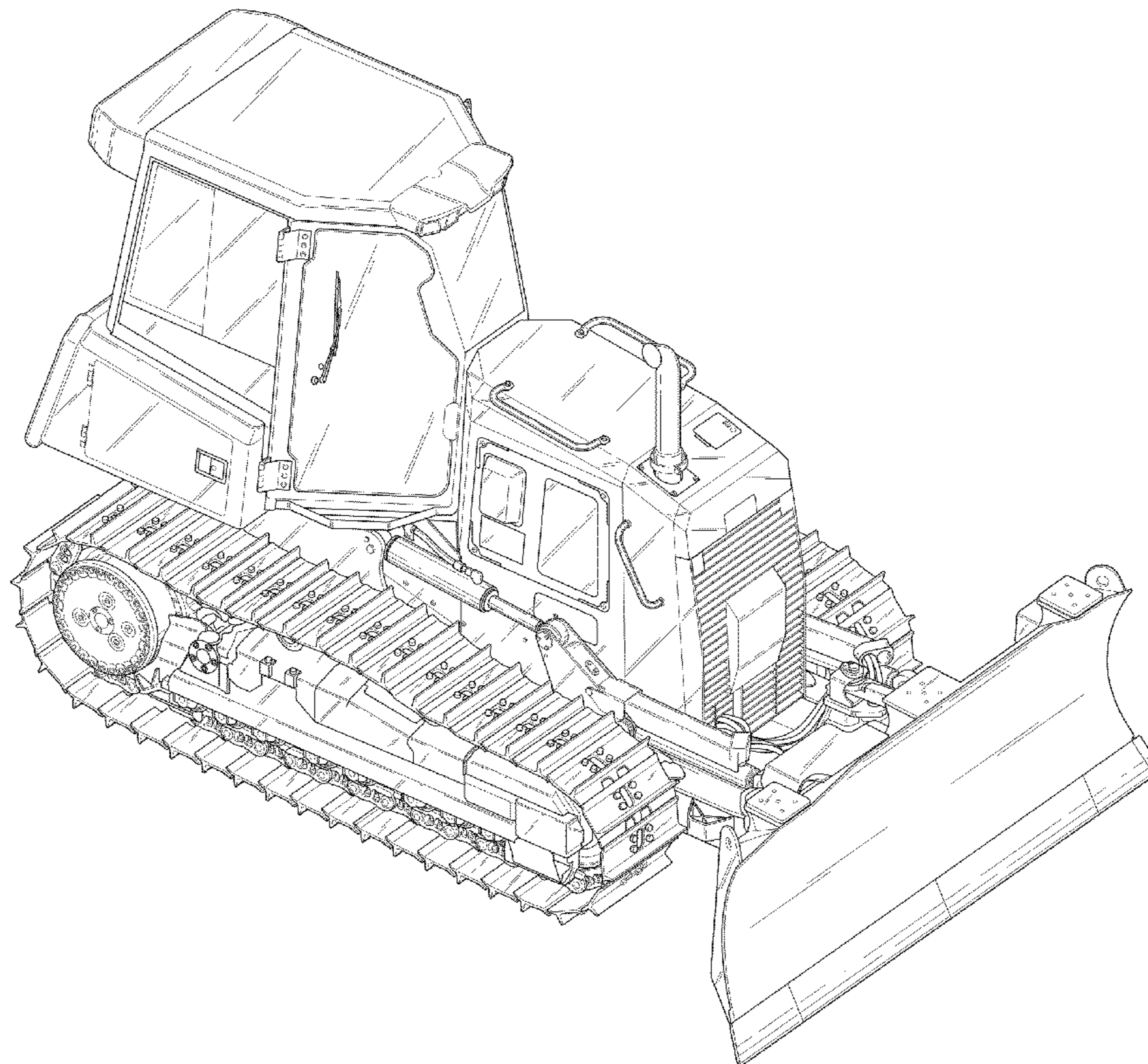
The ornamental design for a mobile earthmoving machine, as shown and described.

DESCRIPTION

FIG. 1 is a front left side perspective view of a mobile earthmoving machine showing our new design;
FIG. 2 is a front right side perspective view thereof;
FIG. 3 is a rear left side perspective view thereof;
FIG. 4 is a rear right side perspective view thereof;
FIG. 5 is a rear view thereof;
FIG. 6 is a left side view thereof;
FIG. 7 is a right side view thereof; and,
FIG. 8 is a top view thereof.

The drawings include diagonal surface shading which represents contour, without regard to opacity or transparency, and CAD lines that represent contour, not surface ornamentation.

1 Claim, 8 Drawing Sheets



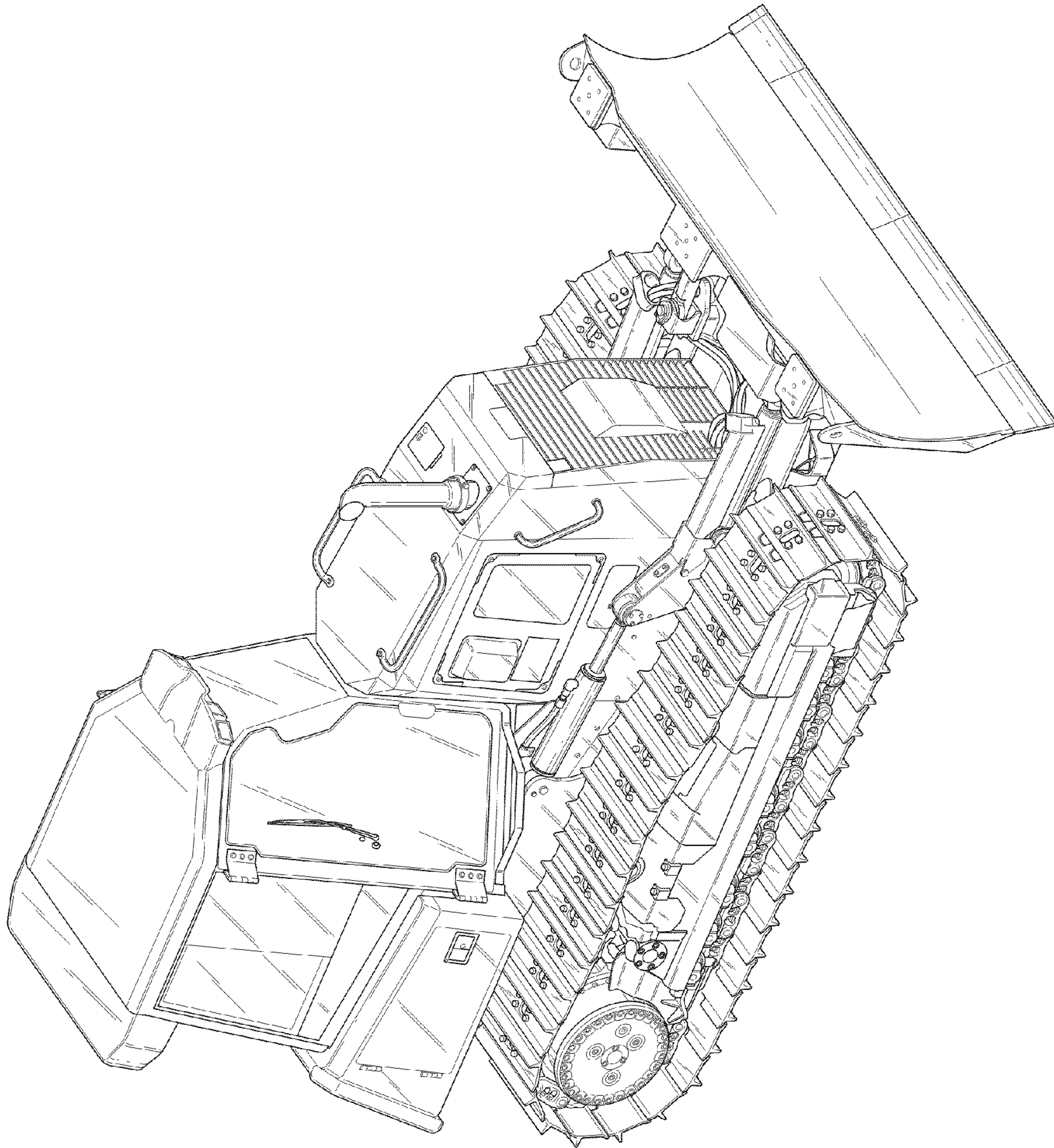


Fig. 1

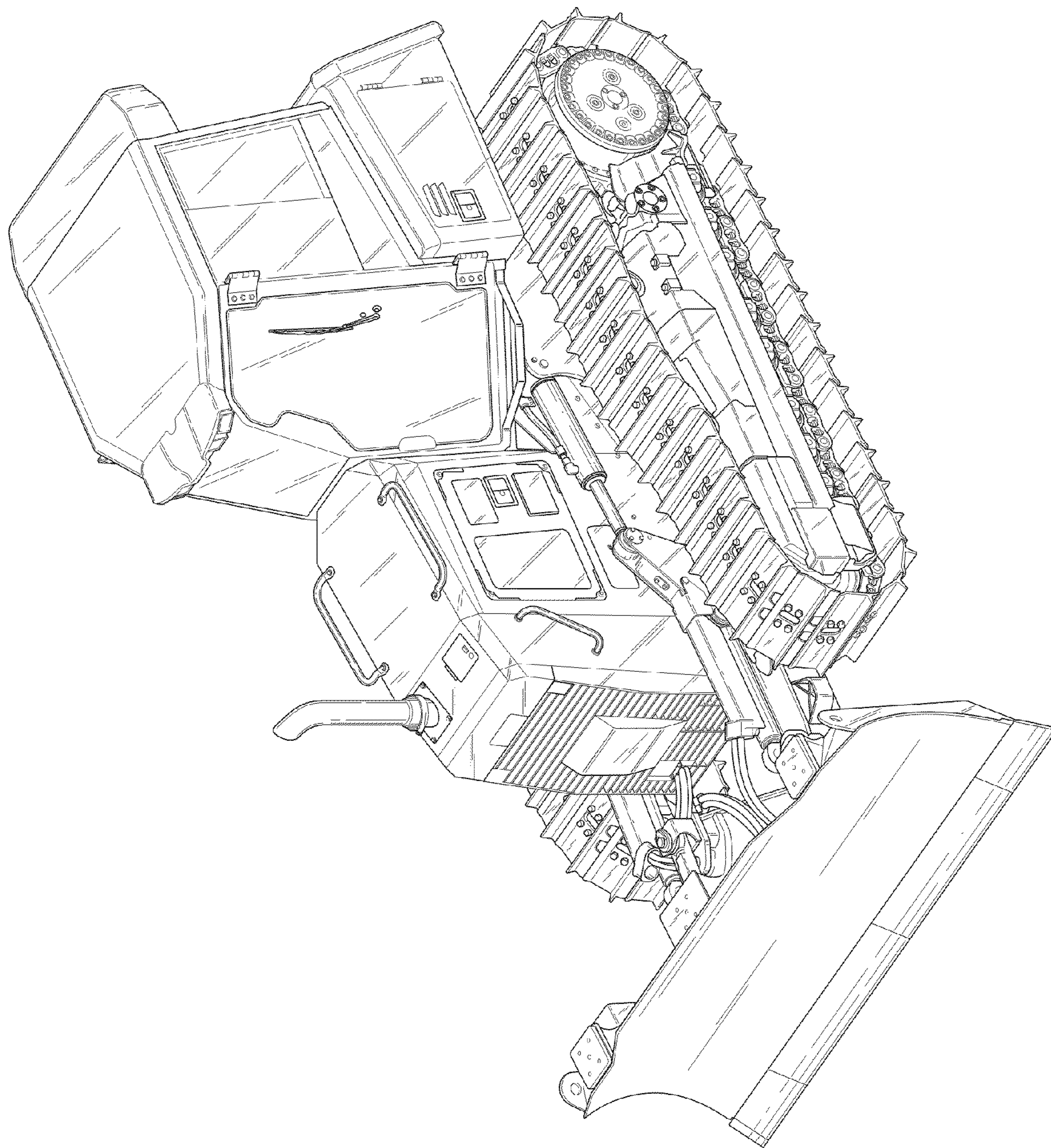


Fig. 2

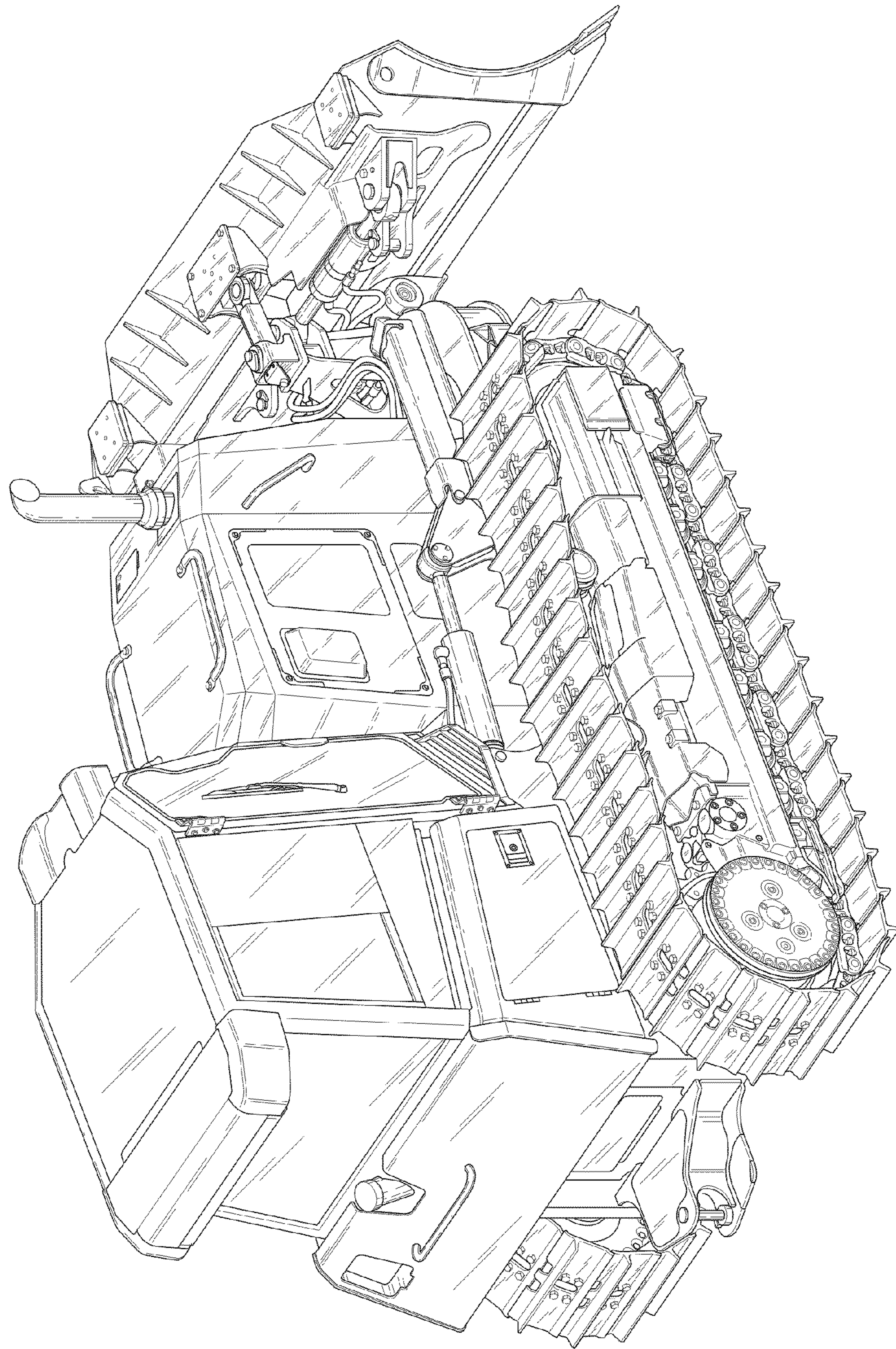


Fig. 3

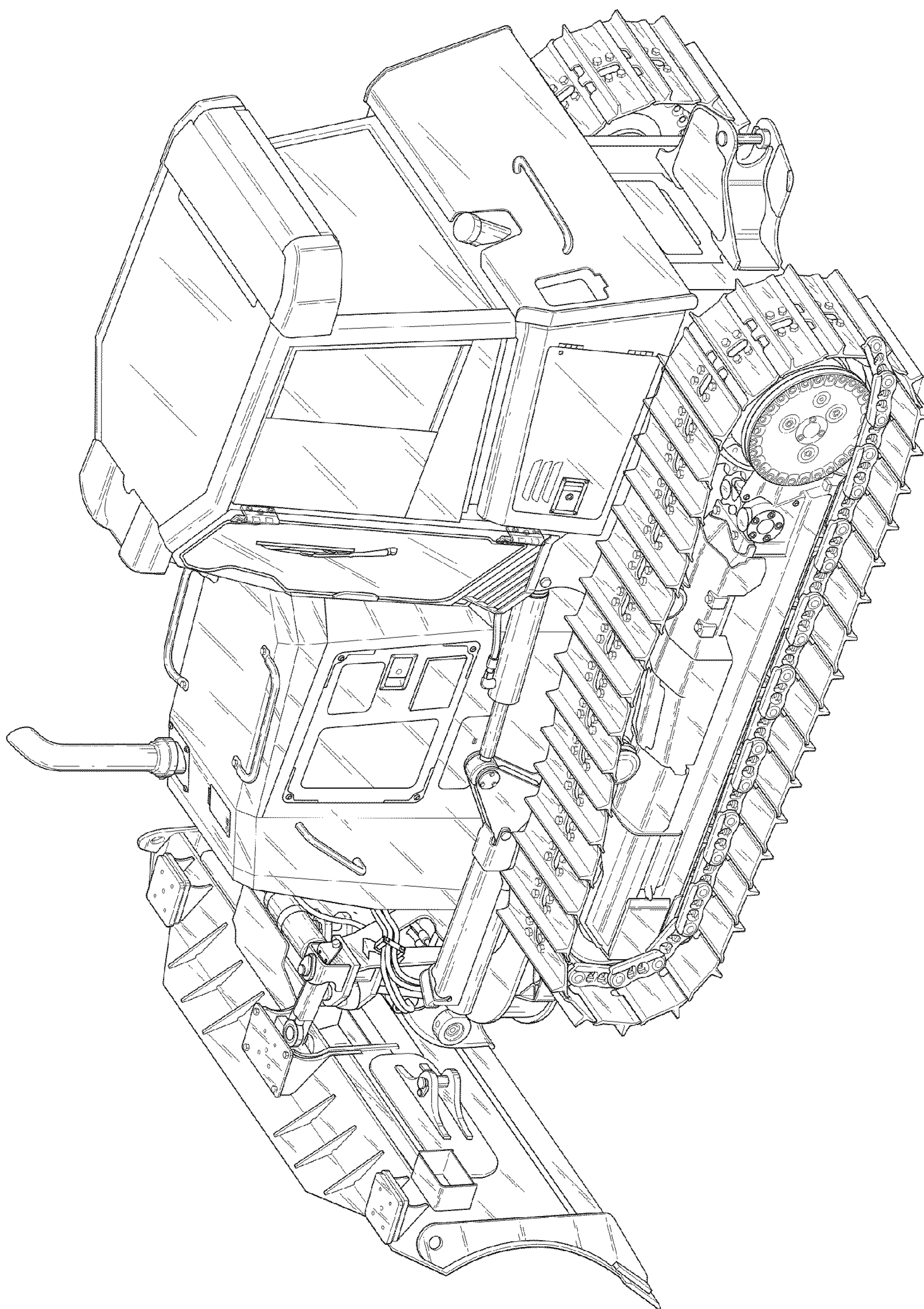


Fig. 4

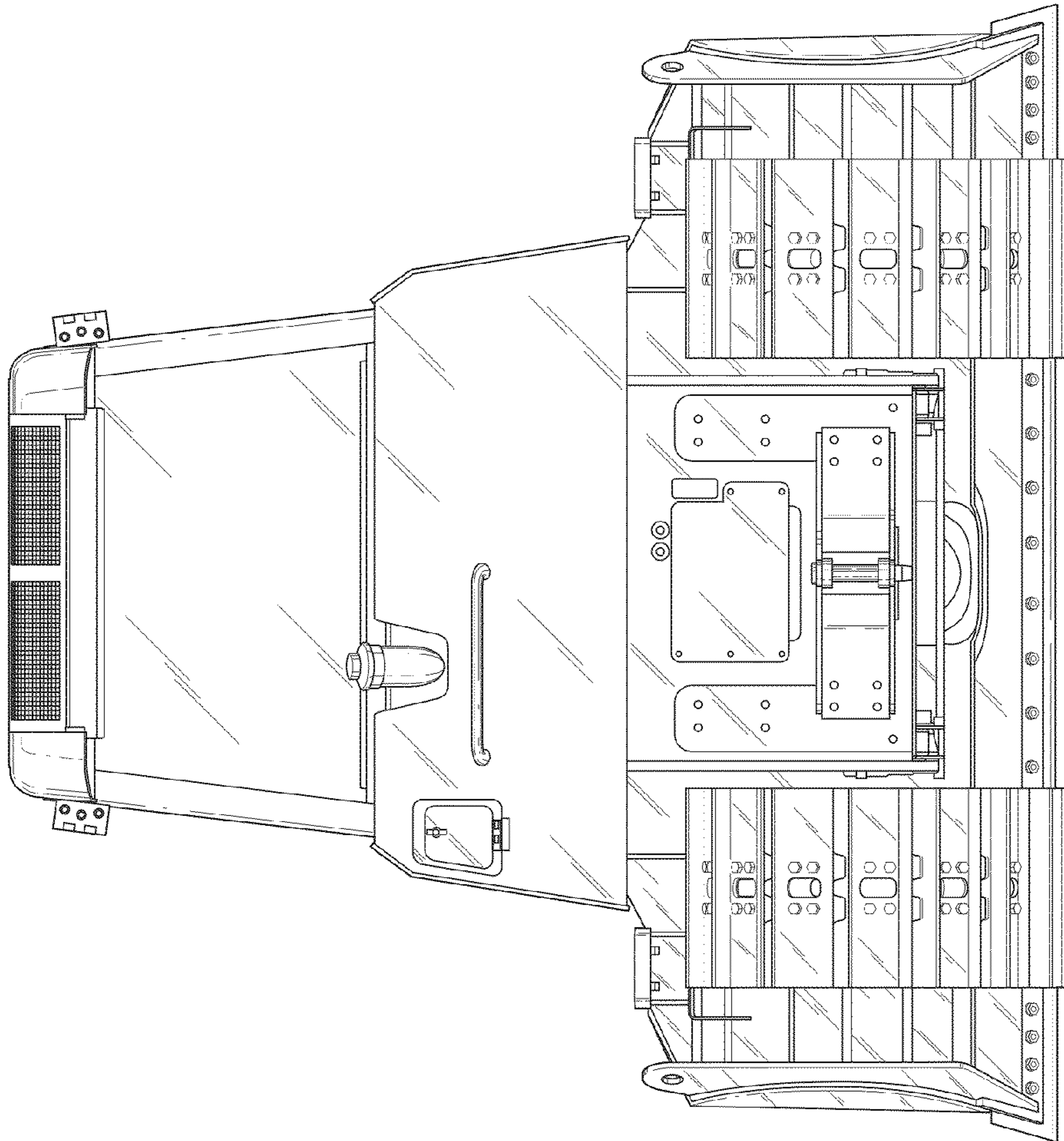


Fig. 5

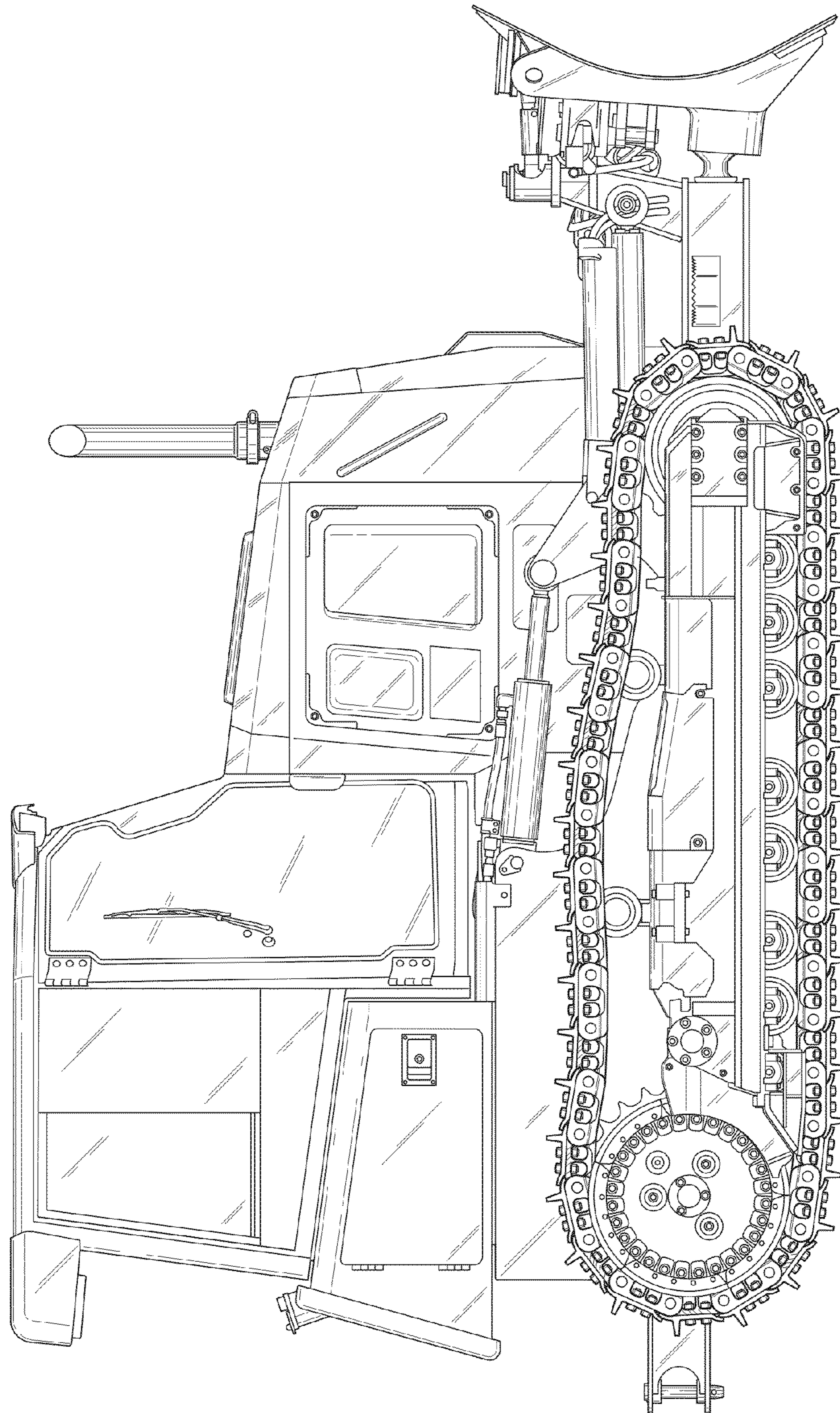


Fig. 6

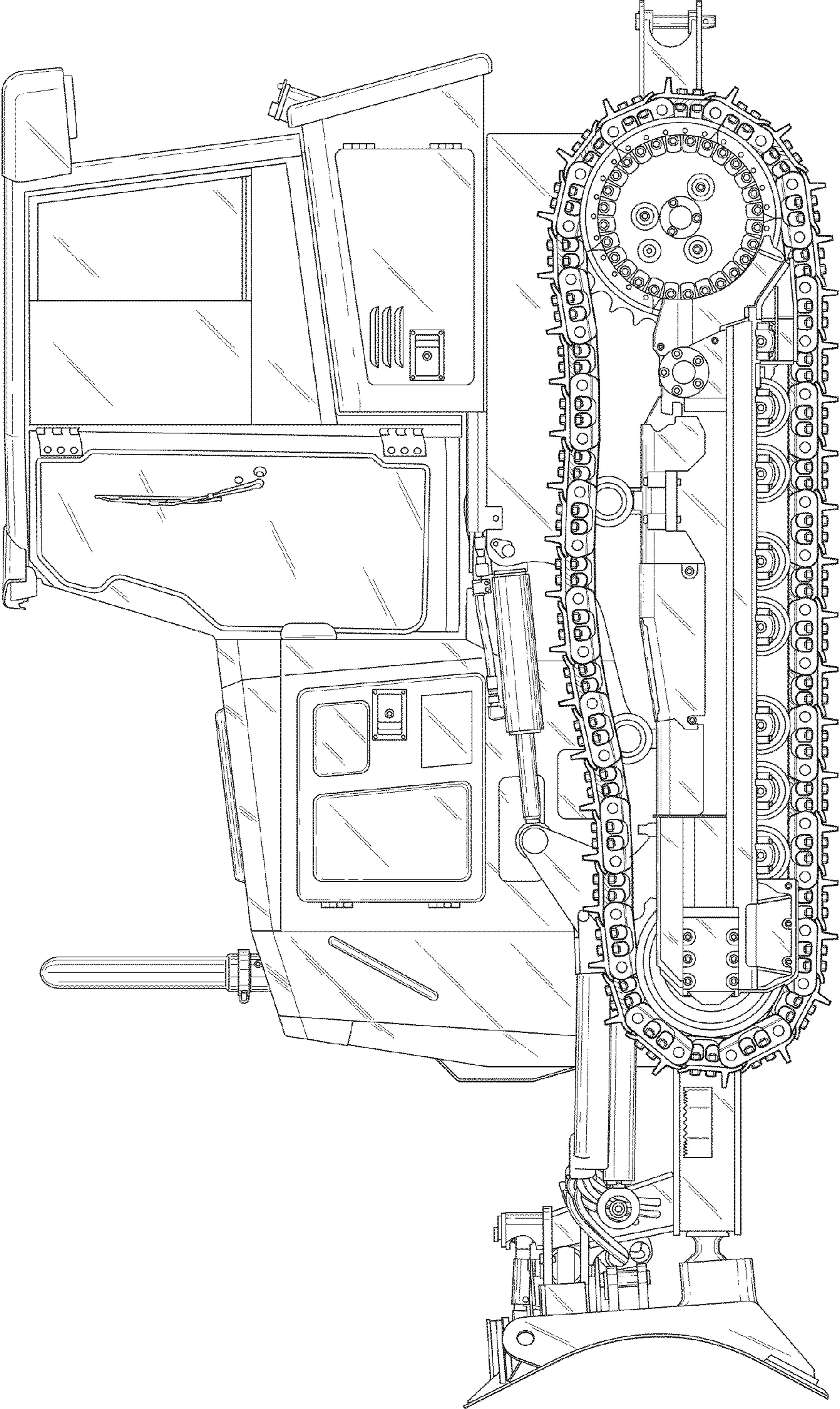


Fig. 7

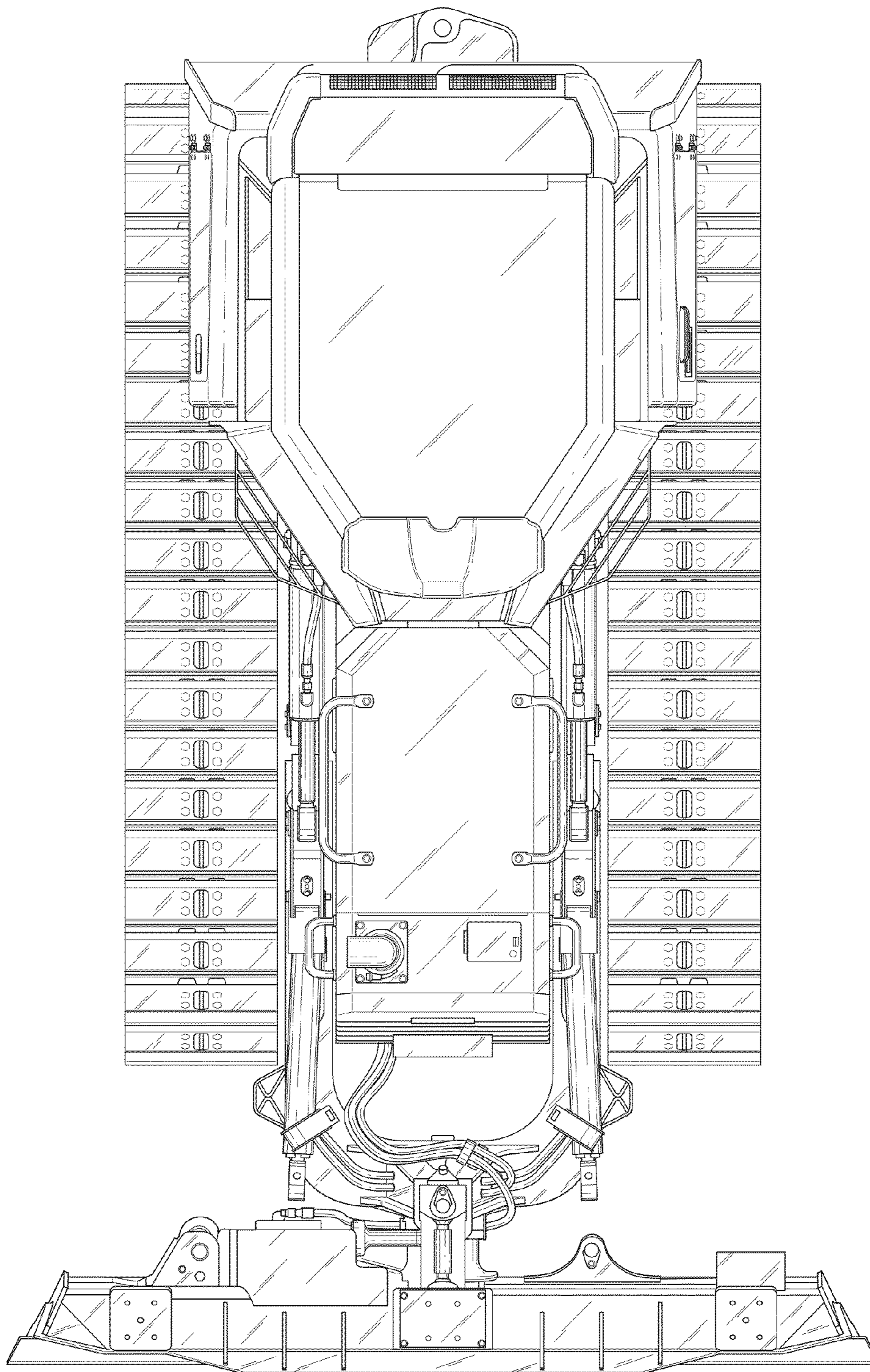


Fig. 8