



US00D742422S

(12) **United States Design Patent**
Lowe

(10) **Patent No.:** **US D742,422 S**

(45) **Date of Patent:** **** Nov. 3, 2015**

(54) **STUMP AUGER**

(71) Applicant: **GSL INNOVATION INC.**, Stoney Creek (CA)

(72) Inventor: **Gary Lowe**, Stoney Creek (CA)

(**) Term: **14 Years**

(21) Appl. No.: **29/500,866**

(22) Filed: **Aug. 29, 2014**

(51) **LOC (10) Cl.** **15-04**

(52) **U.S. Cl.**
USPC **D15/21**

(58) **Field of Classification Search**
USPC D15/21, 127, 132
CPC A01G 23/067
See application file for complete search history.

(56) **References Cited**

U.S. PATENT DOCUMENTS

1,411,104 A * 3/1922 Hughes 408/135
D225,075 S * 11/1972 Richmond D15/21

6,751,895 B2 * 6/2004 Paumier 37/302
D675,236 S * 1/2013 Cairns D15/127
D692,468 S * 10/2013 Cairns D15/127
2014/0326362 A1 * 11/2014 Lowe 144/24.12

* cited by examiner

Primary Examiner — Mitchell Siegel

(57) **CLAIM**

The ornamental design for a stump auger, as shown and described.

DESCRIPTION

FIG. 1 is a front side elevation view of the present design a stump auger.

FIG. 2 is a back side elevation view of the stump auger shown in FIG. 1.

FIG. 3 is a bottom back side perspective view of the stump auger shown in FIG. 1; and,

FIG. 4 is a top front side perspective view of the stump auger shown in FIG. 1.

1 Claim, 2 Drawing Sheets

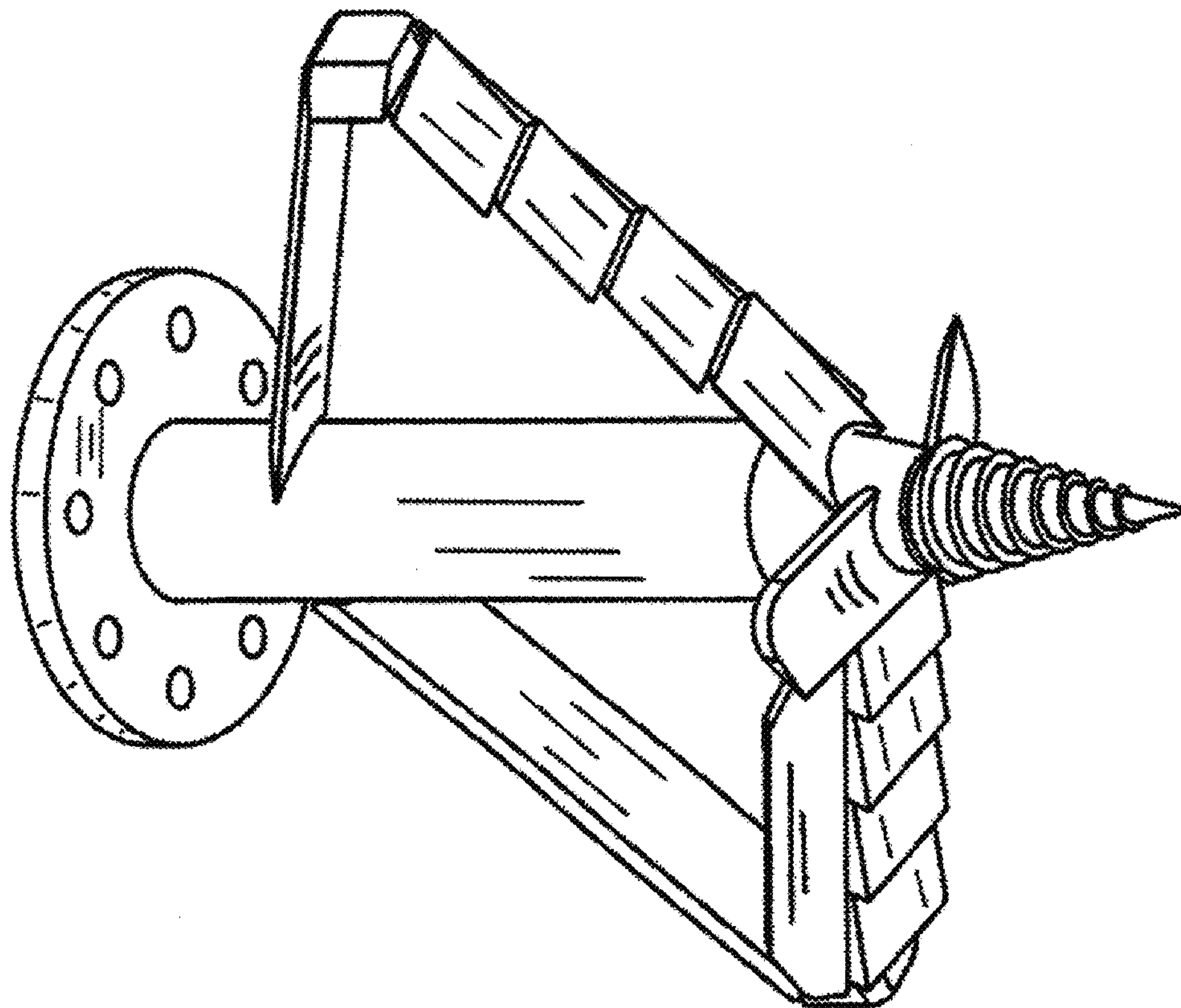


Figure 1

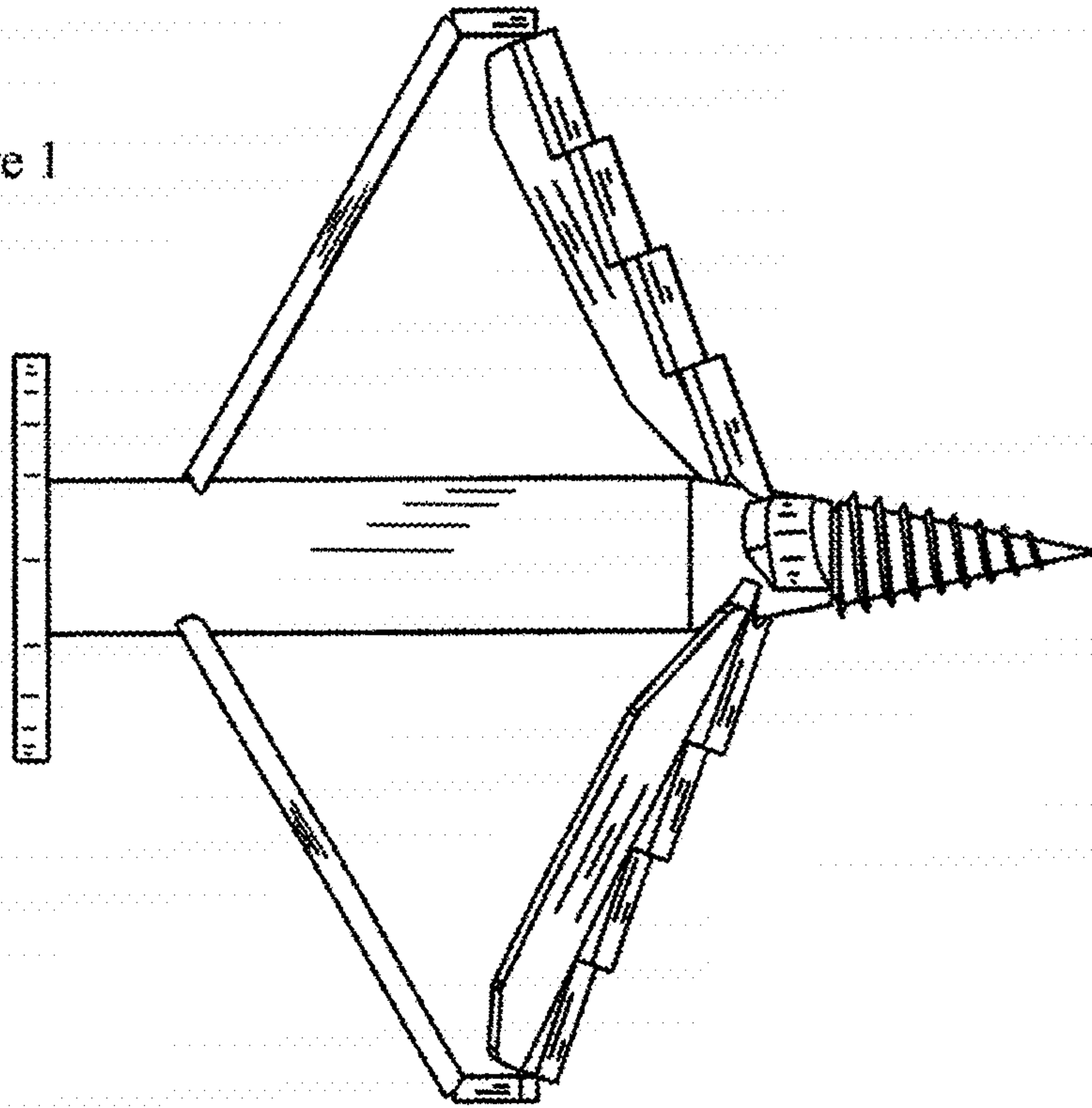


Figure 2

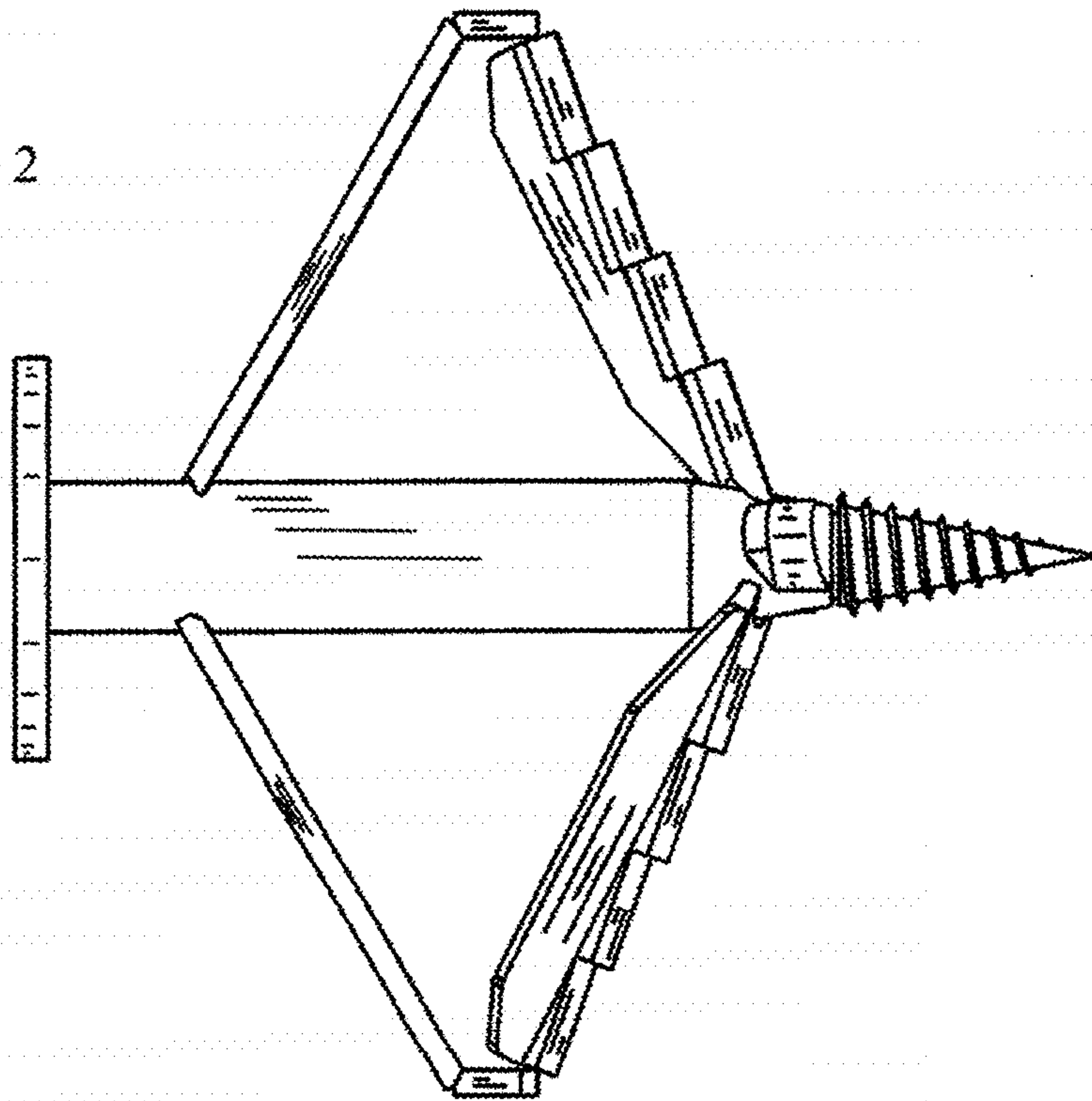


Figure 3

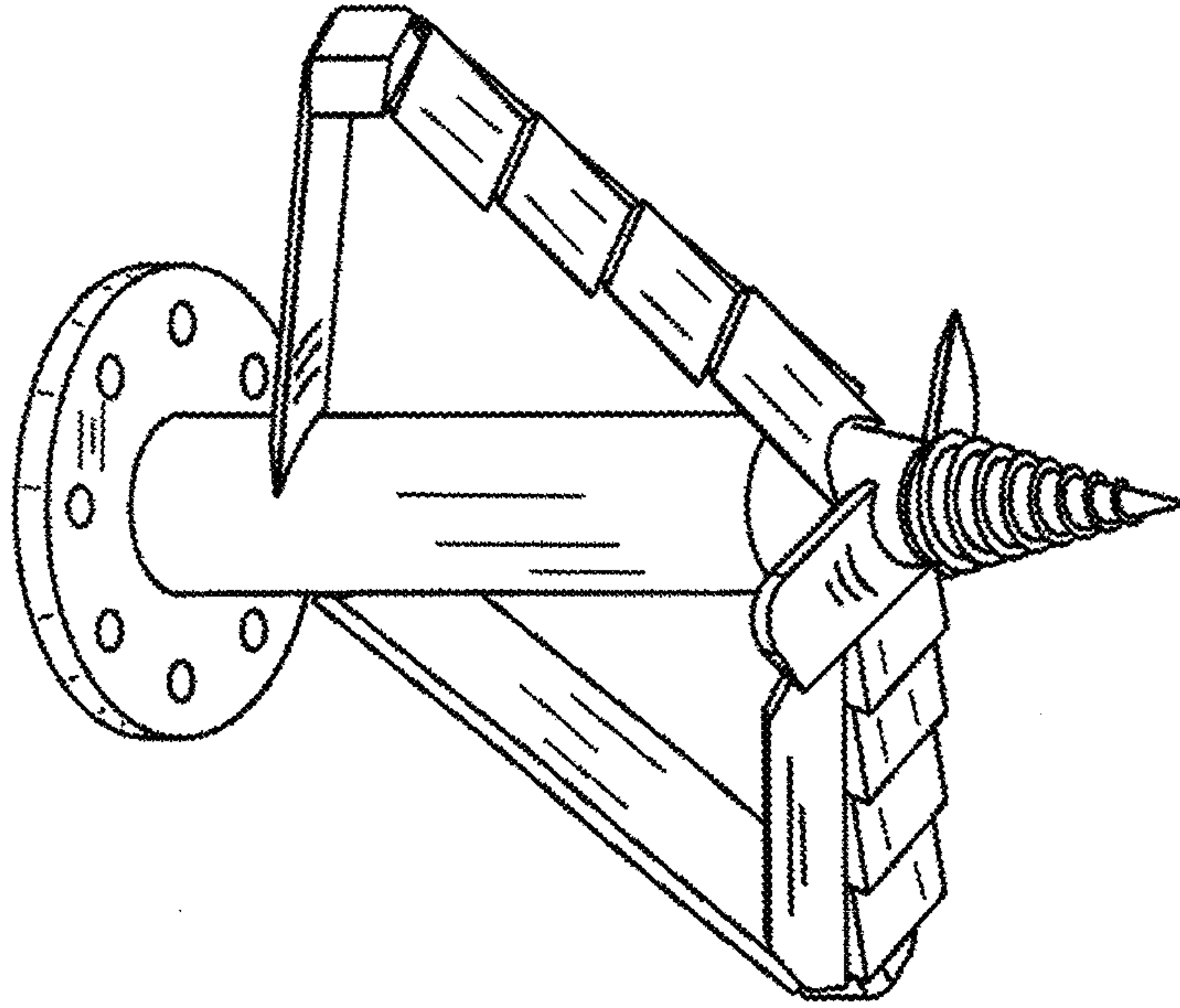


Figure 4

