



US00D742420S

(12) **United States Design Patent**
Sullivan

(10) **Patent No.:** **US D742,420 S**

(45) **Date of Patent:** **** Nov. 3, 2015**

(54) **PUMP CASING**

D610,165 S * 2/2010 Glaves D15/7
D616,902 S * 6/2010 Foreman D15/7
8,790,077 B2 * 7/2014 Burgess F04D 29/4286
415/127

(71) Applicant: **W. S. Darley & Co.**, Itasca, IL (US)

(72) Inventor: **Shane M. Sullivan**, Chippewa Falls, WI (US)

(**) Term: **14 Years**

(21) Appl. No.: **29/521,948**

(22) Filed: **Mar. 26, 2015**

(51) **LOC (10) Cl.** **15-02**

(52) **U.S. Cl.**
USPC **D15/7**

(58) **Field of Classification Search**
USPC D15/7-9; D23/231, 232, 225; 417/60, 417/235, 265, 321, 355, 358, 363, 359, 417/410.1, 415-416, 405, 900; 60/408, 60/412; 184/26-37; 415/140-147, 127; 123/495, 509; 137/565.34
CPC F02M 37/04; F02M 37/14; F04D 29/46
See application file for complete search history.

(56) **References Cited**

U.S. PATENT DOCUMENTS

D368,913 S * 4/1996 Wightley D15/7
D381,339 S * 7/1997 Wightley D15/7
D608,677 S * 1/2010 Glaves D15/7
D609,248 S * 2/2010 Foreman D15/7
D609,250 S * 2/2010 Liu D15/7

OTHER PUBLICATIONS

Darley.com; KSP 1000 pump page, Jul. 22, 2015, W.S. Darley & Co., US.

* cited by examiner

Primary Examiner — Ralf Seifert

(74) *Attorney, Agent, or Firm* — Anthony J. Bourget

(57) **CLAIM**

The ornamental design for a pump casing, as shown and described.

DESCRIPTION

FIG. 1 is a front perspective view of a pump casing showing my new design;

FIG. 2 is a front elevational view thereof;

FIG. 3 is a left side elevational view thereof;

FIG. 4 is a right side elevational view thereof;

FIG. 5 is a rear elevational view thereof;

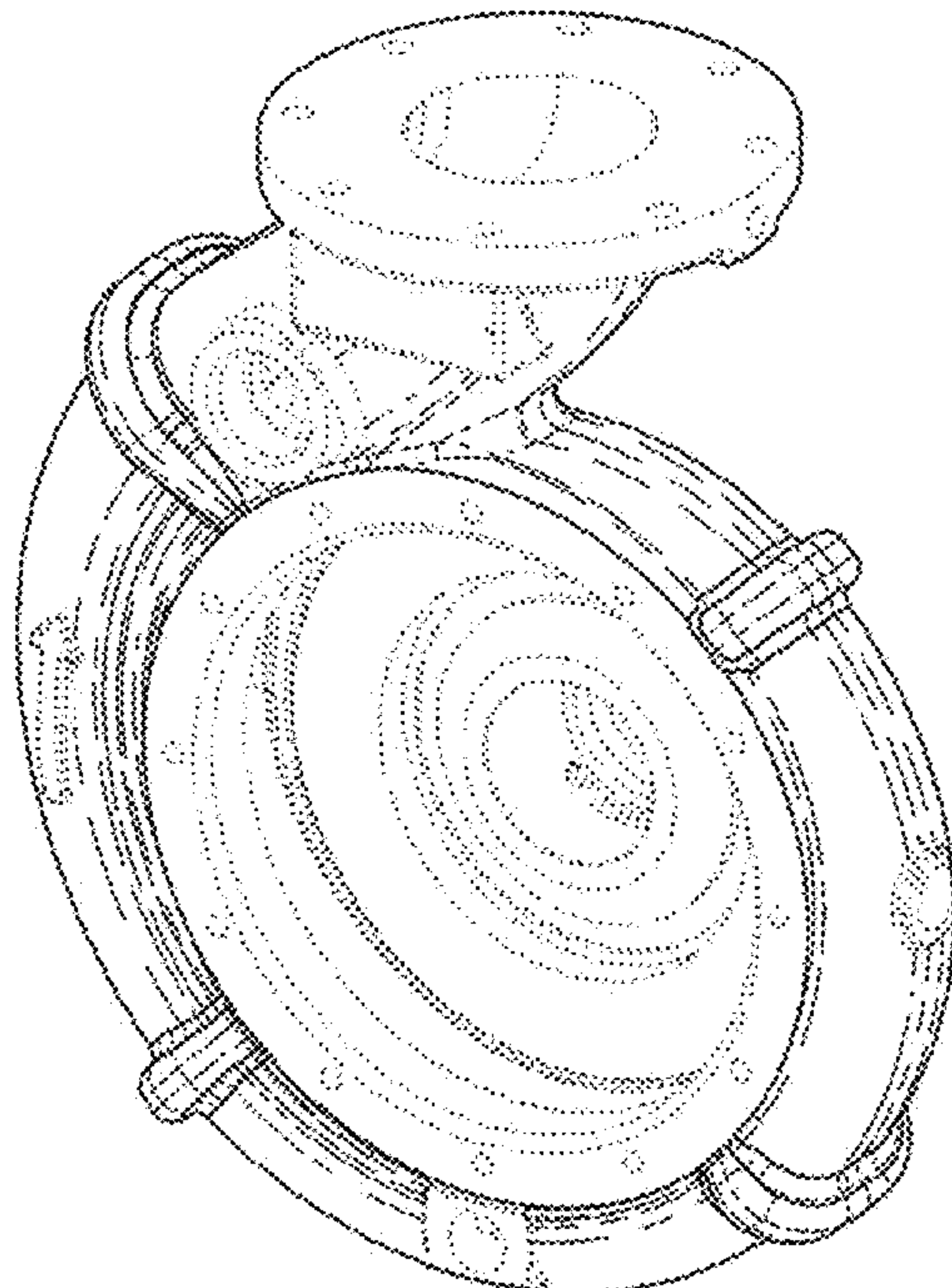
FIG. 6 is a top plan view thereof;

FIG. 7 is a bottom plan view thereof; and,

FIG. 8 is a rear perspective view thereof.

Those portions of the drawings shown in broken lines are included for illustrative purposes only and form no part of the claimed design.

1 Claim, 6 Drawing Sheets



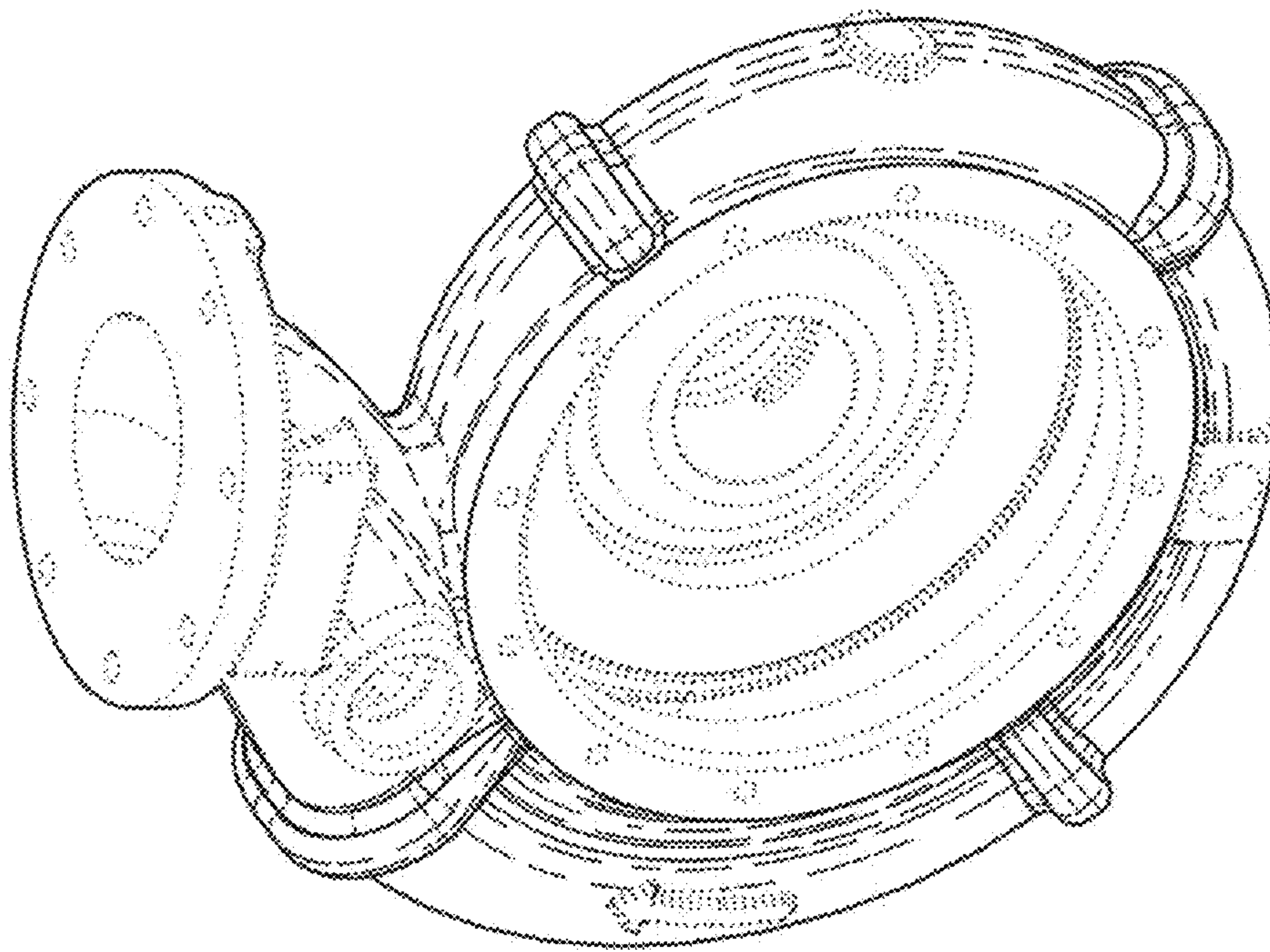


FIG. 1

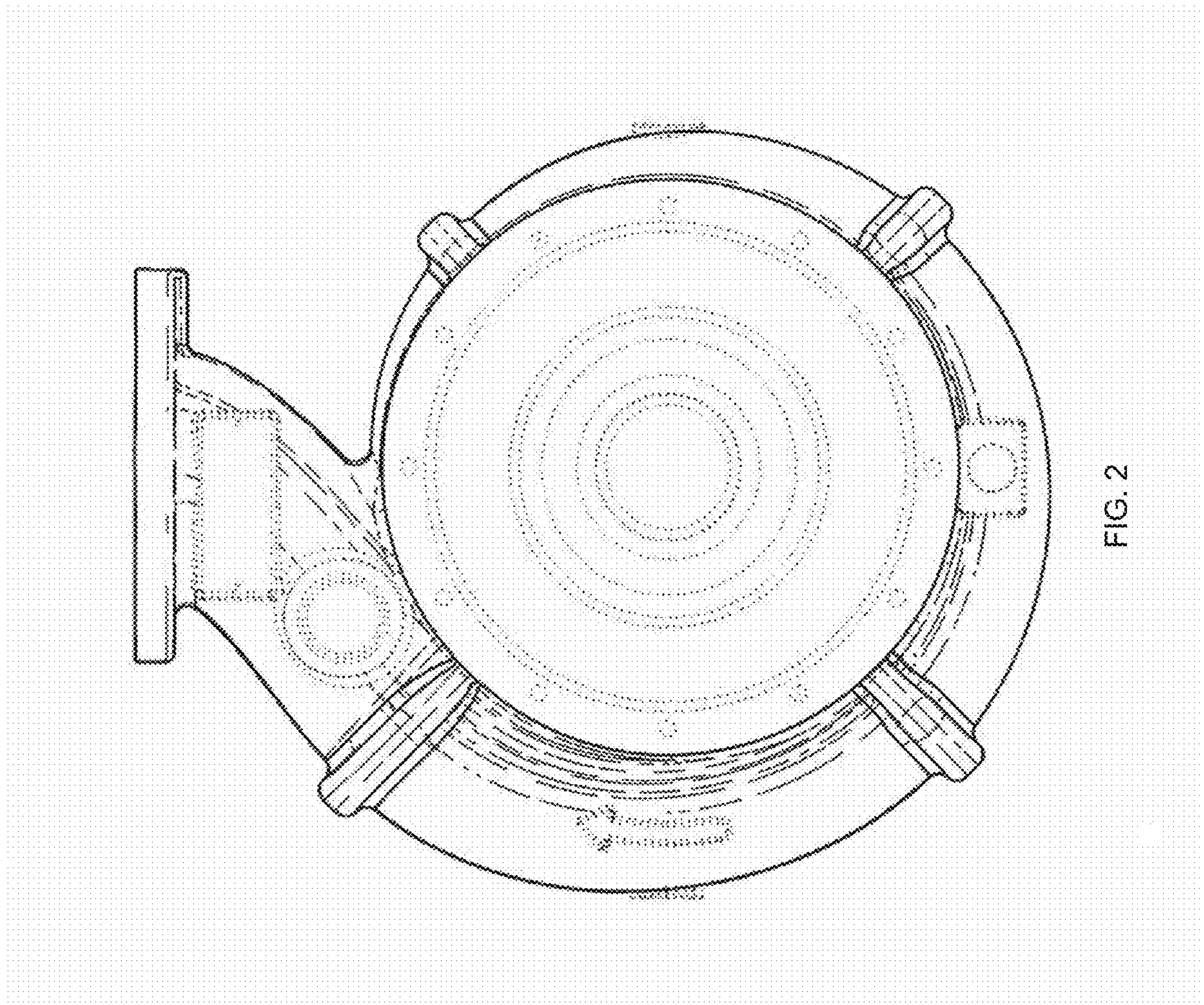


FIG. 2

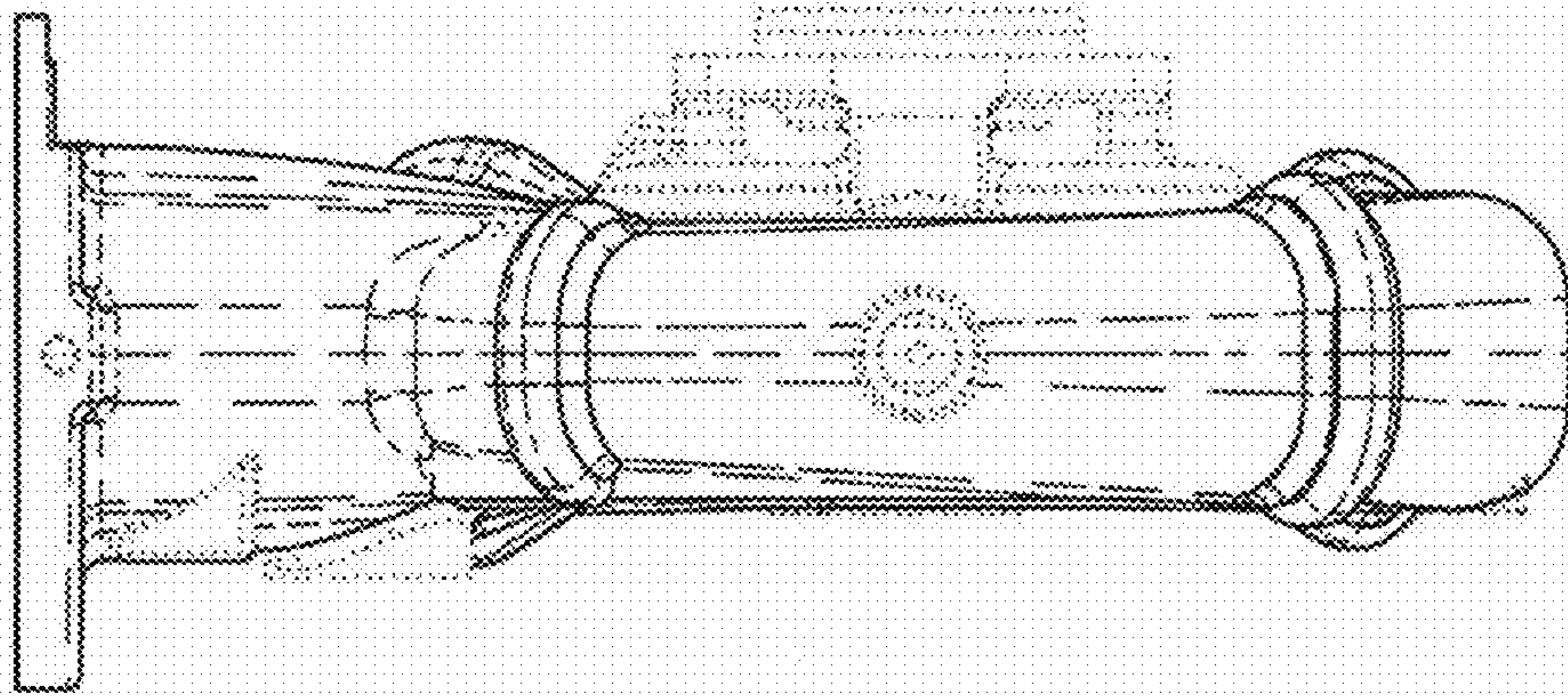


FIG. 4

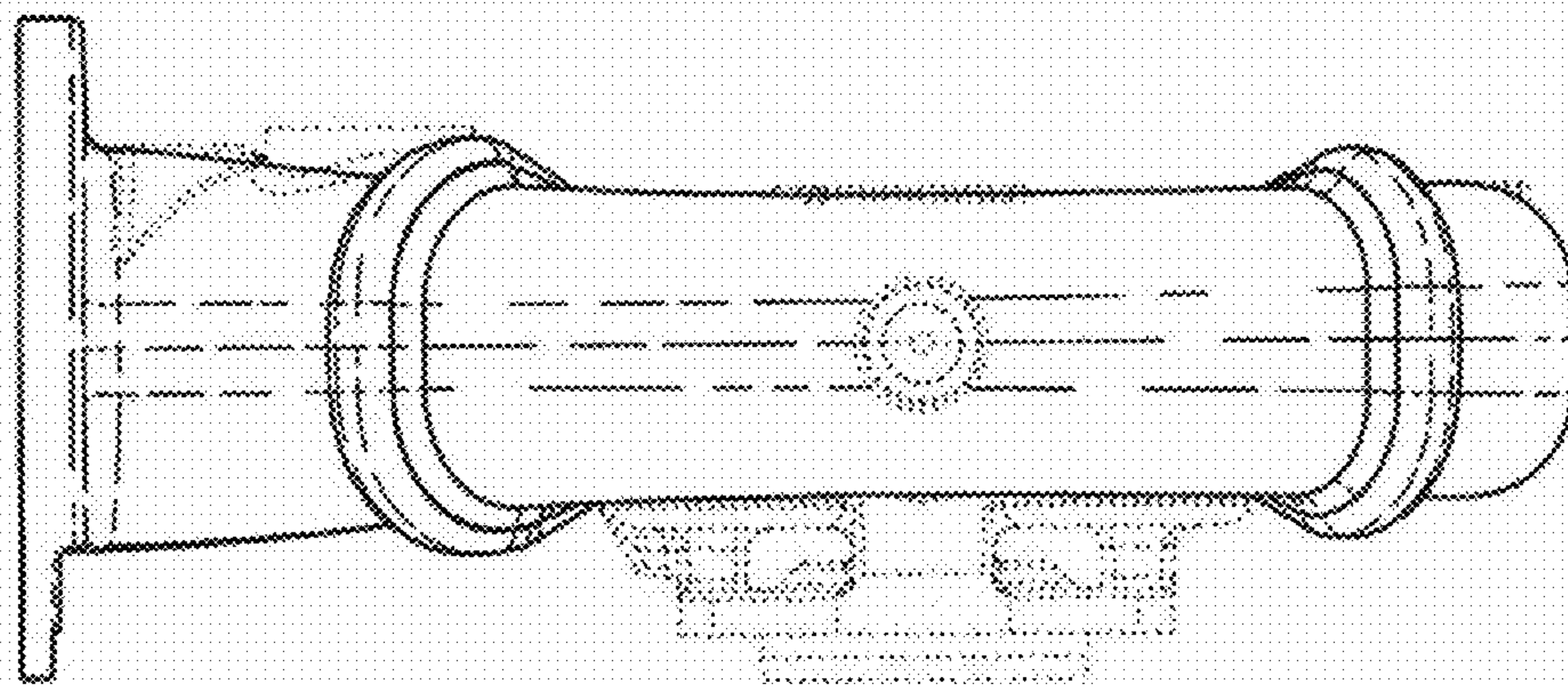


FIG. 3

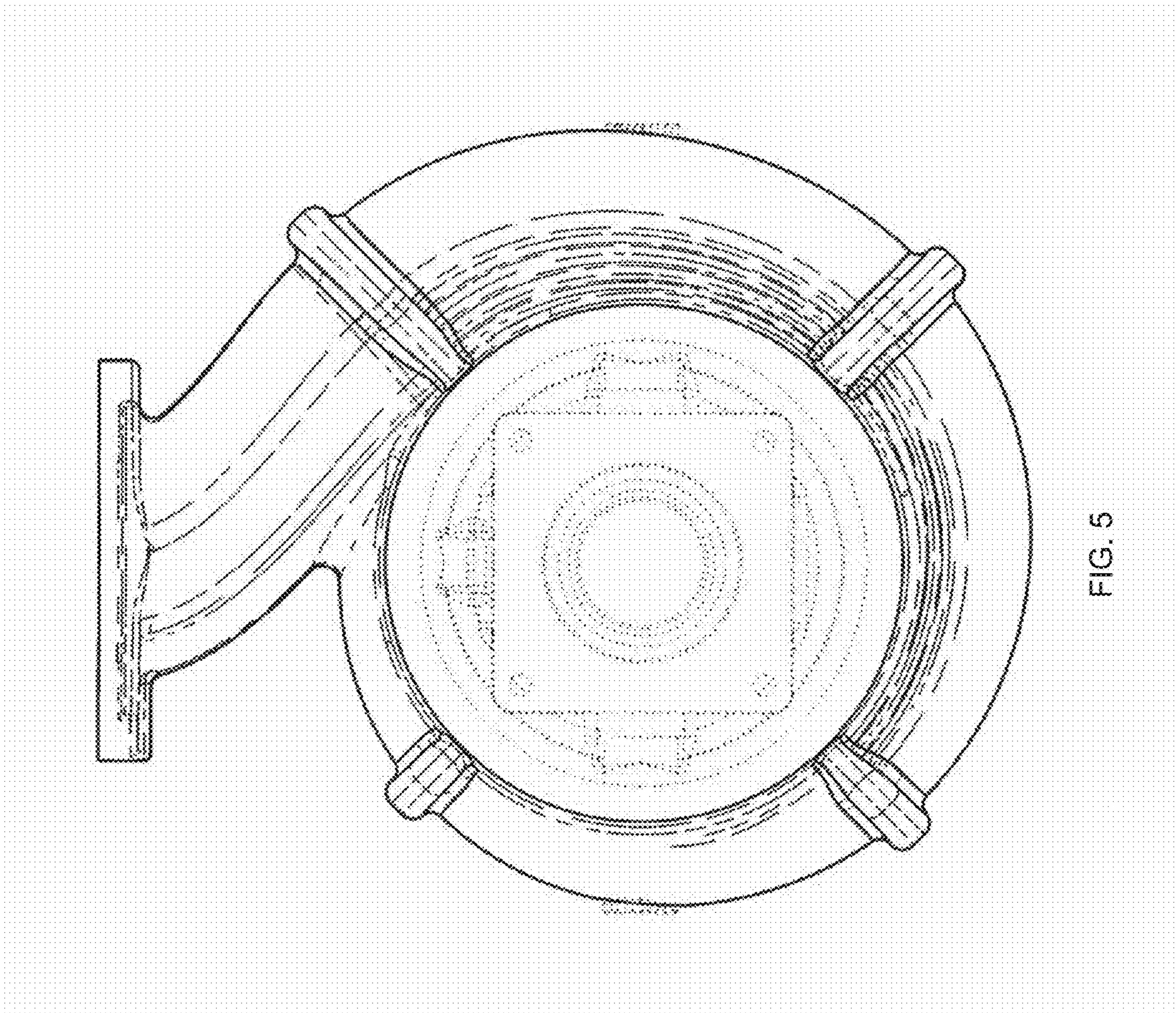
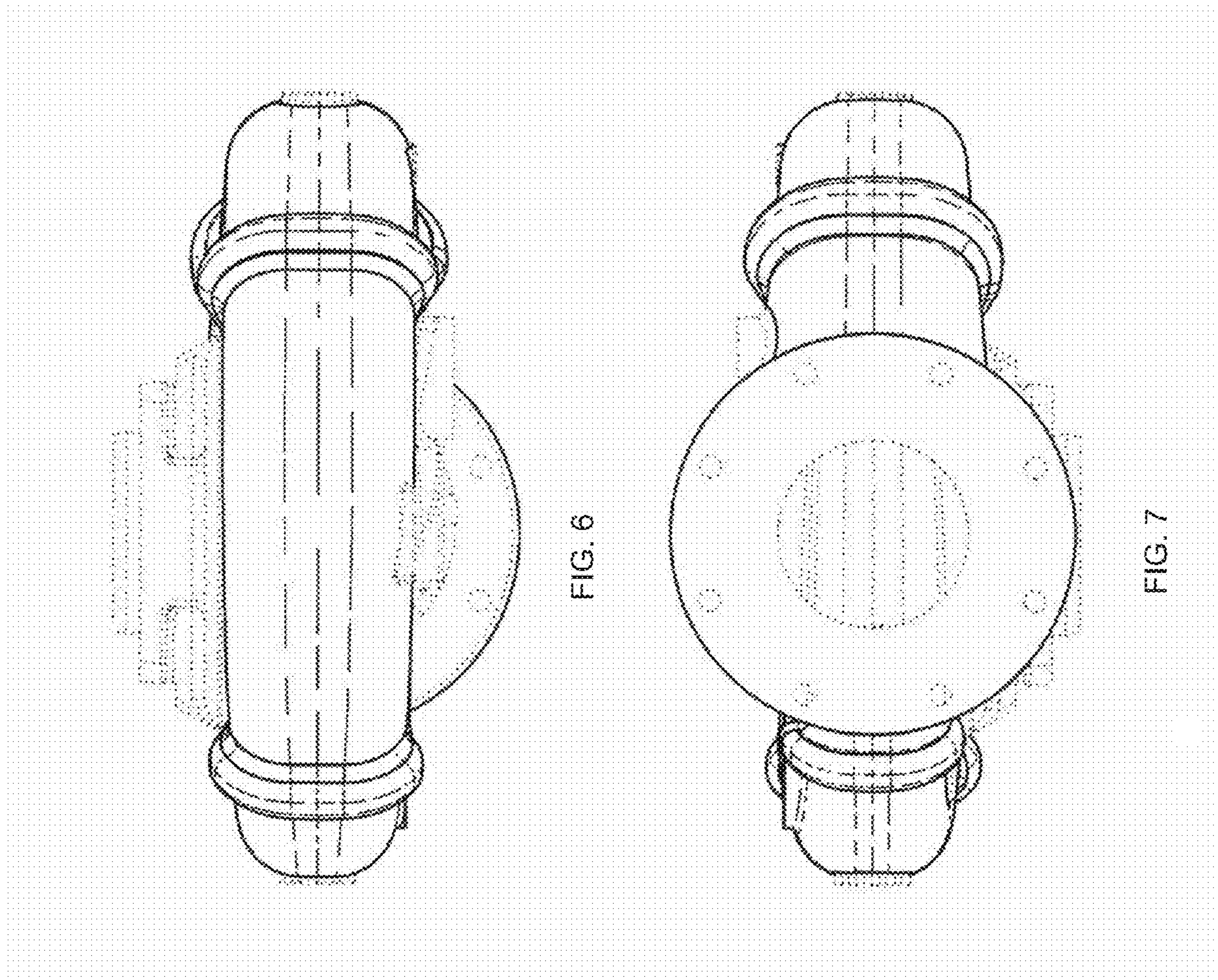


FIG. 5



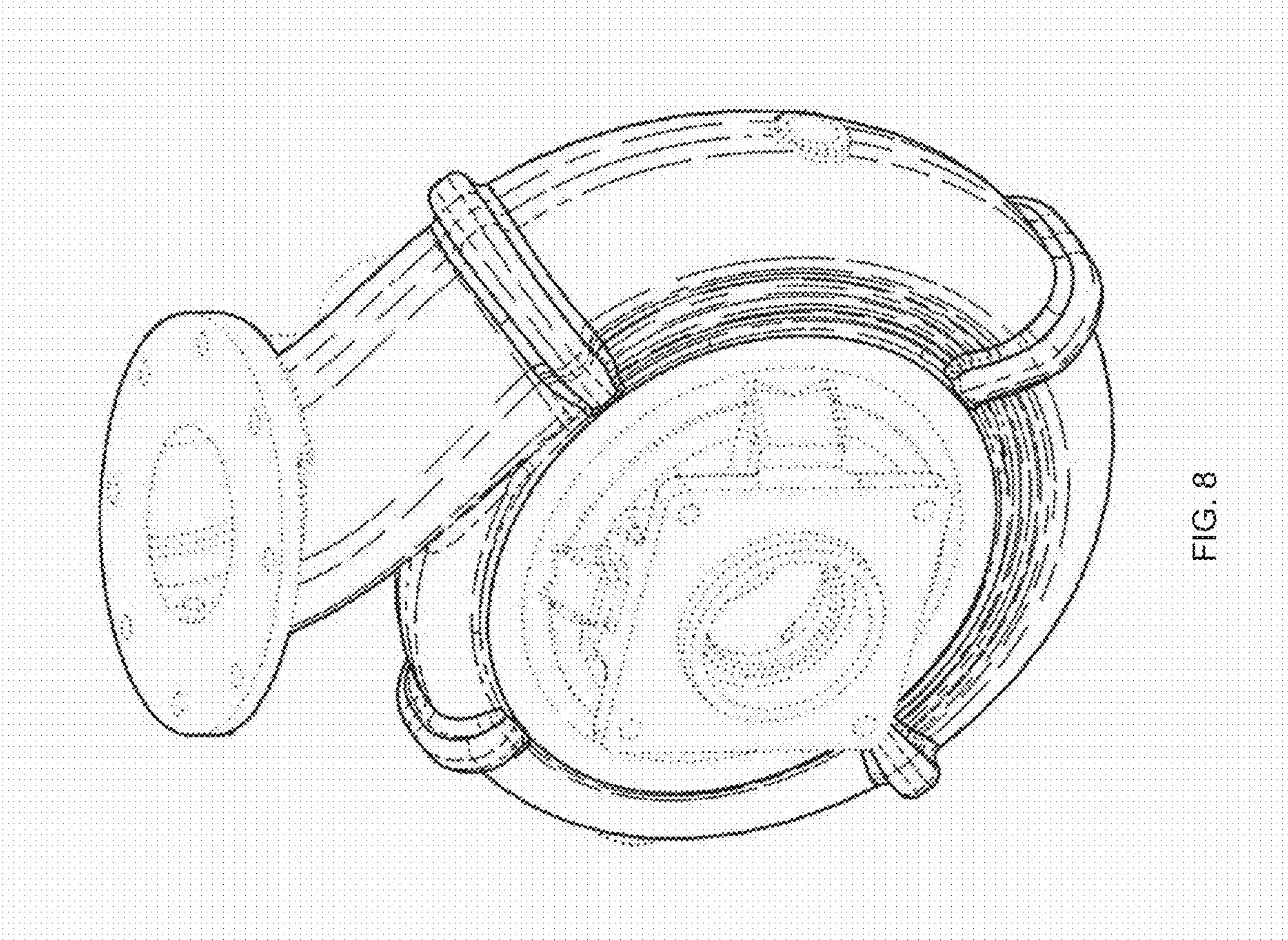


FIG. 8