



US00D742419S

(12) **United States Design Patent**
Armstrong

(10) **Patent No.:** **US D742,419 S**

(45) **Date of Patent:** **** Nov. 3, 2015**

(54) **CENTRIPETAL AIR/OIL SEPARATOR FOR DRYSUMP SYSTEMS**

(71) Applicant: **Gary Armstrong**, Loomis, CA (US)

(72) Inventor: **Gary Armstrong**, Loomis, CA (US)

(**) Term: **14 Years**

(21) Appl. No.: **29/502,354**

(22) Filed: **Sep. 15, 2014**

(51) **LOC (10) Cl.** **15-01**

(52) **U.S. Cl.**
USPC **D15/5**

(58) **Field of Classification Search**
USPC D15/1-7, 150; 55/337, 400, 409, 485,
55/493, 498, 502, 505, 345; D13/184;
184/6.13
CPC B01D 35/02; F01M 13/04
See application file for complete search history.

(56) **References Cited**

U.S. PATENT DOCUMENTS

5,277,154	A *	1/1994	McDowell	123/41.86
7,445,653	B2 *	11/2008	Trautmann et al.	55/345
D612,877	S	3/2010	Noguchi	
D679,733	S	4/2013	Armstrong	
2004/0098956	A1	5/2004	Care et al.	
2008/0257161	A1 *	10/2008	Read	96/220
2010/0054958	A1 *	3/2010	Hartl et al.	417/53
2010/0187180	A1 *	7/2010	Baten	210/718

* cited by examiner

Primary Examiner — T. Chase Nelson

Assistant Examiner — Ania Aman

(74) *Attorney, Agent, or Firm* — QuickPatents; Kevin Prince

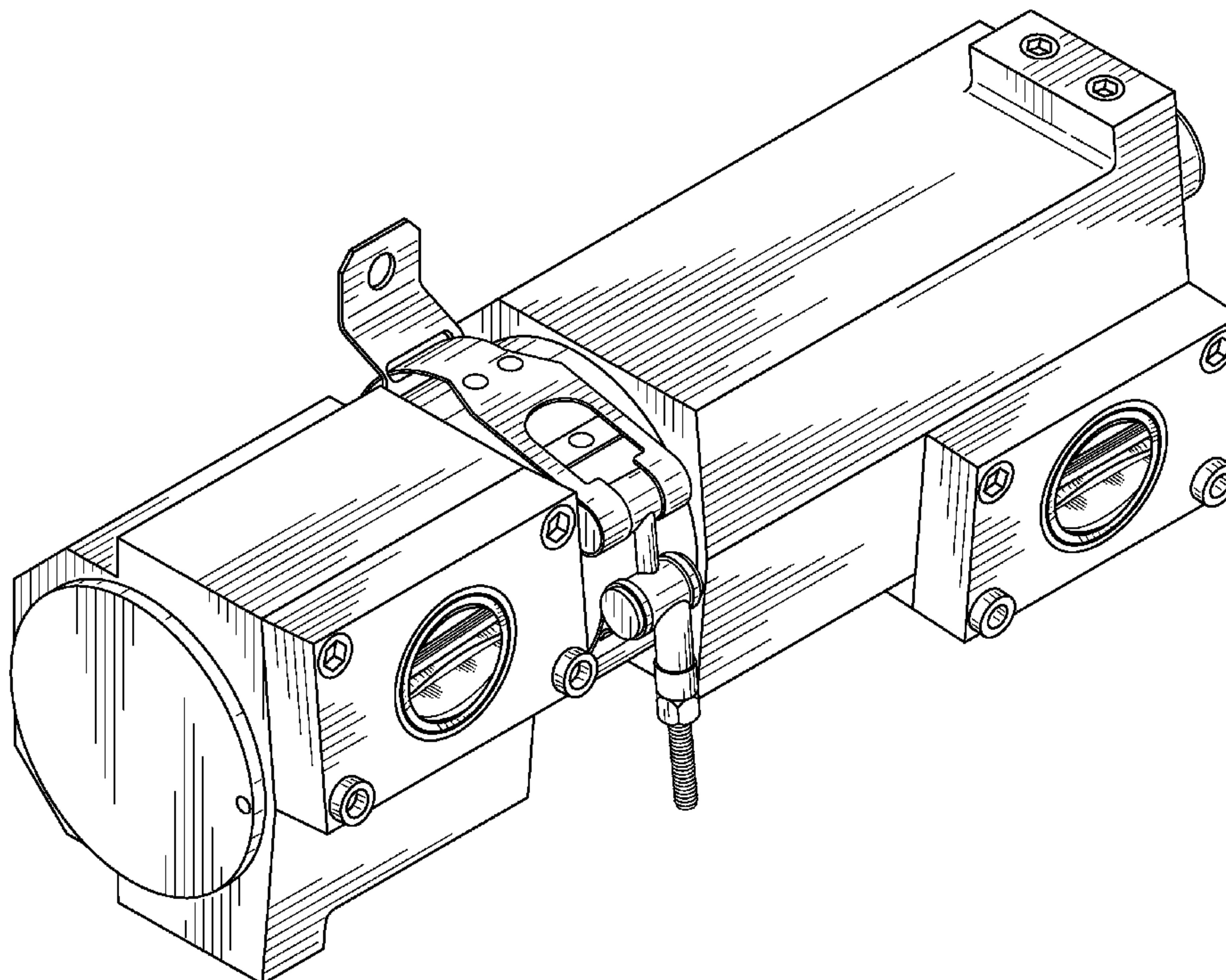
(57) **CLAIM**

I claim the ornamental design for a centripetal air/oil separator for drysump systems, as shown and described.

DESCRIPTION

FIG. 1 is a perspective view of a centripetal air/oil separator for drysump systems, showing my new design in an assembled configuration;
FIG. 2 is an exploded perspective view of a first embodiment thereof;
FIG. 3 is a front elevational view of FIG. 1;
FIG. 4 is a rear elevational view of FIG. 1;
FIG. 5 is a right-side elevational view of FIG. 1;
FIG. 6 is a left-side elevational view of FIG. 1;
FIG. 7 is a bottom plan view of FIG. 1;
FIG. 8 is a top plan view of FIG. 1;
FIG. 9 is an exploded perspective view of a second embodiment thereof; and,
FIG. 10 is an exploded perspective view of a third embodiment thereof.
The three embodiments are understood to vary only with regard to an internal member that is visible only in the exploded view.

1 Claim, 9 Drawing Sheets



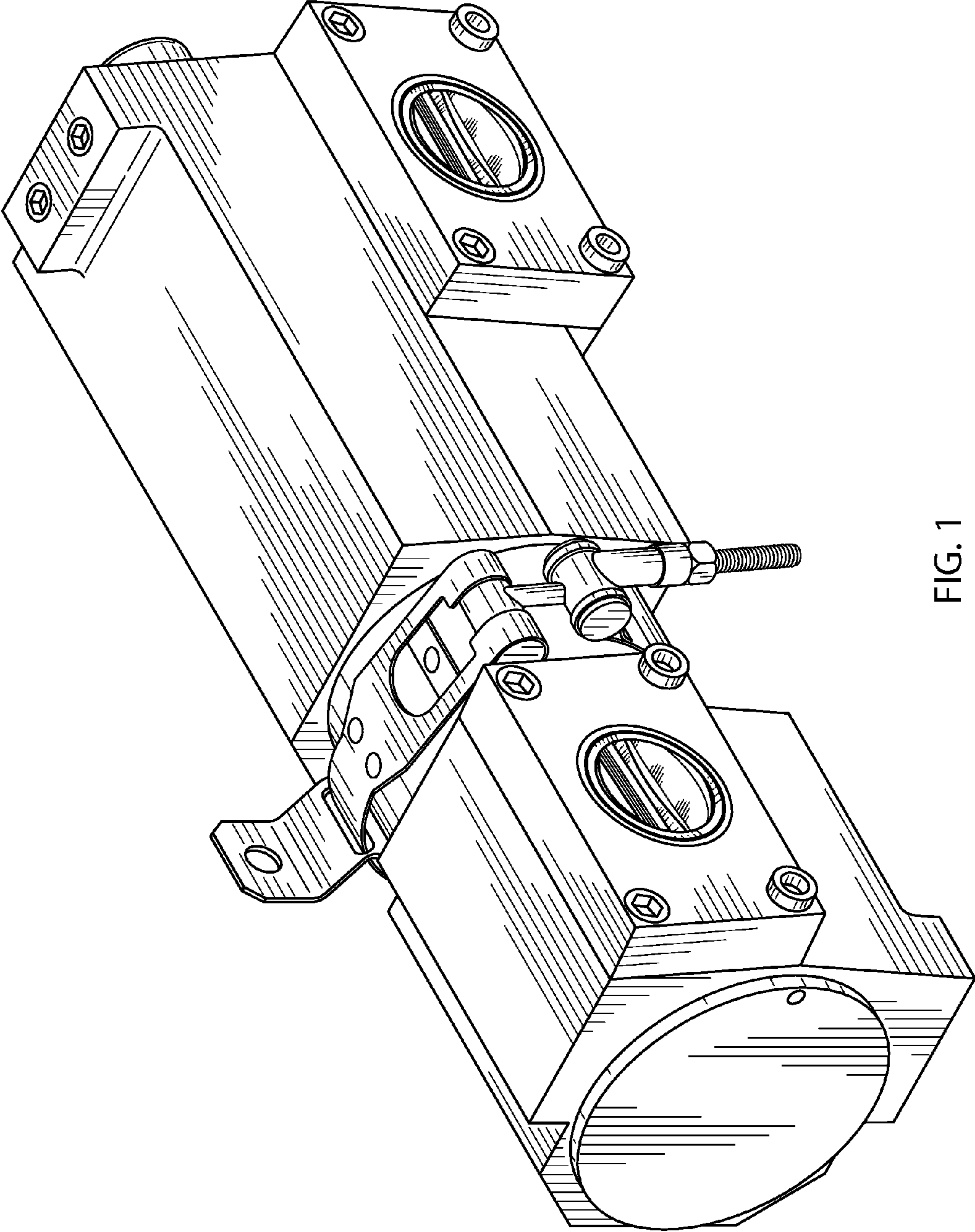


FIG. 1

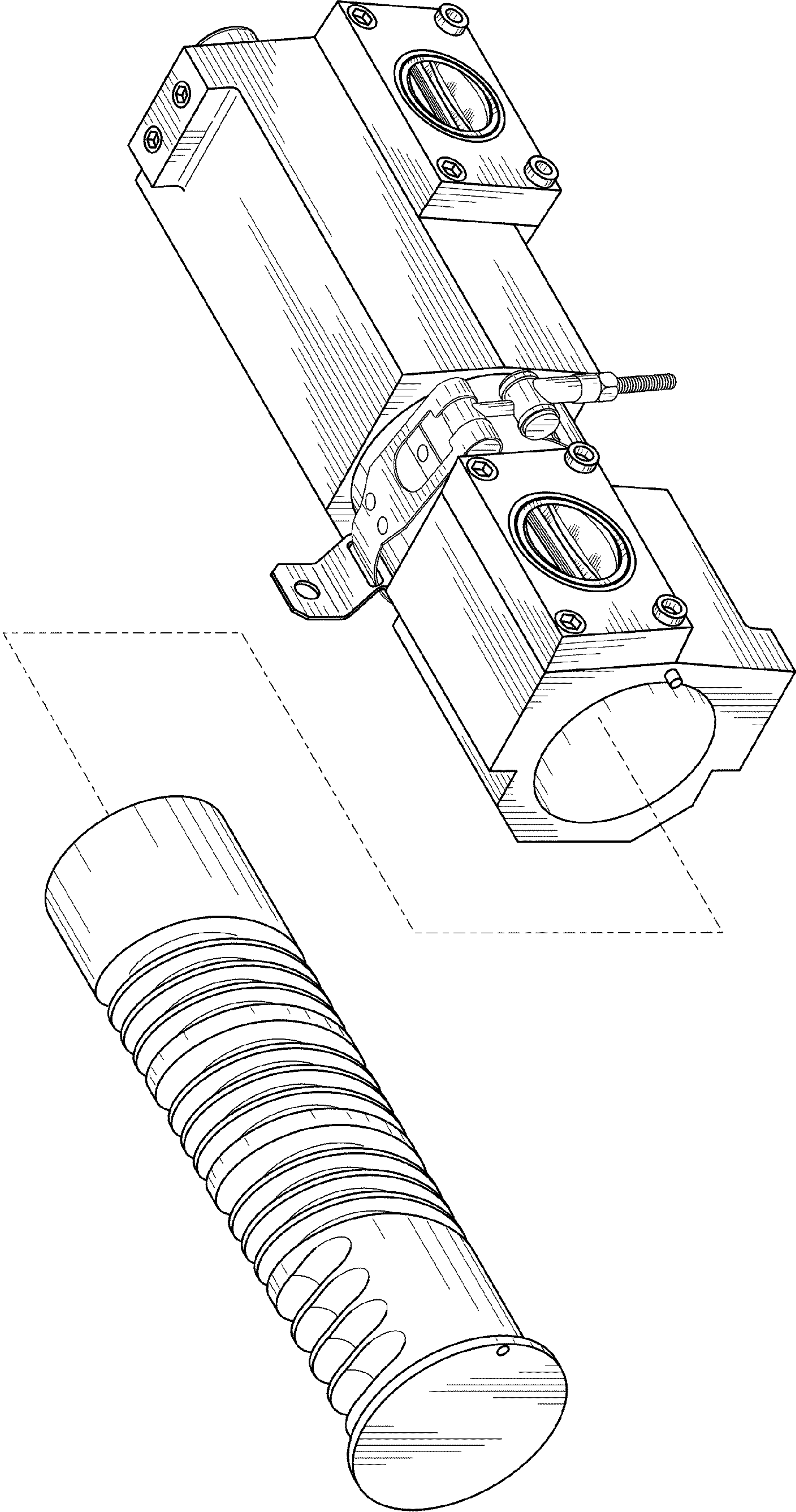


FIG. 2

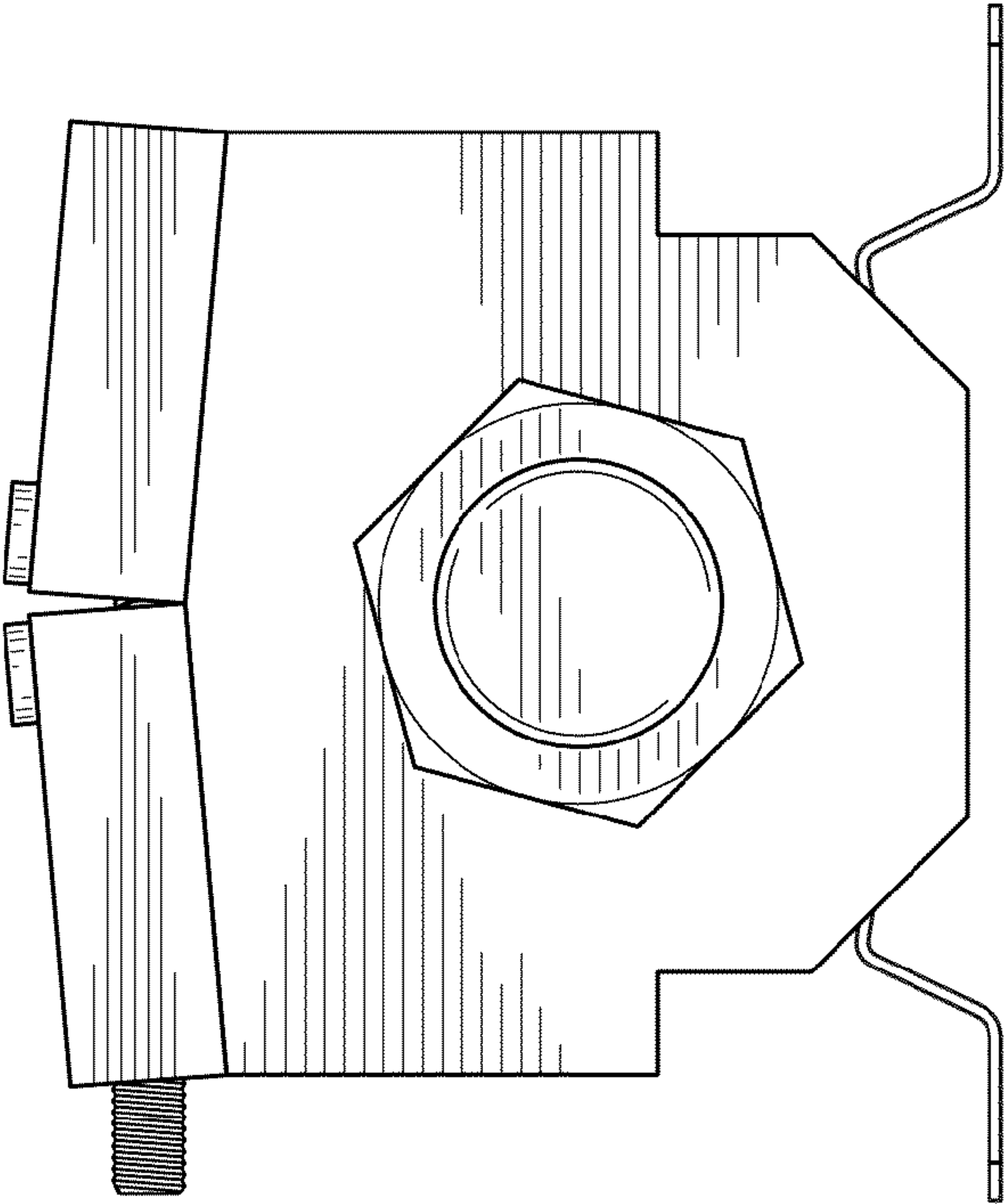


FIG. 3

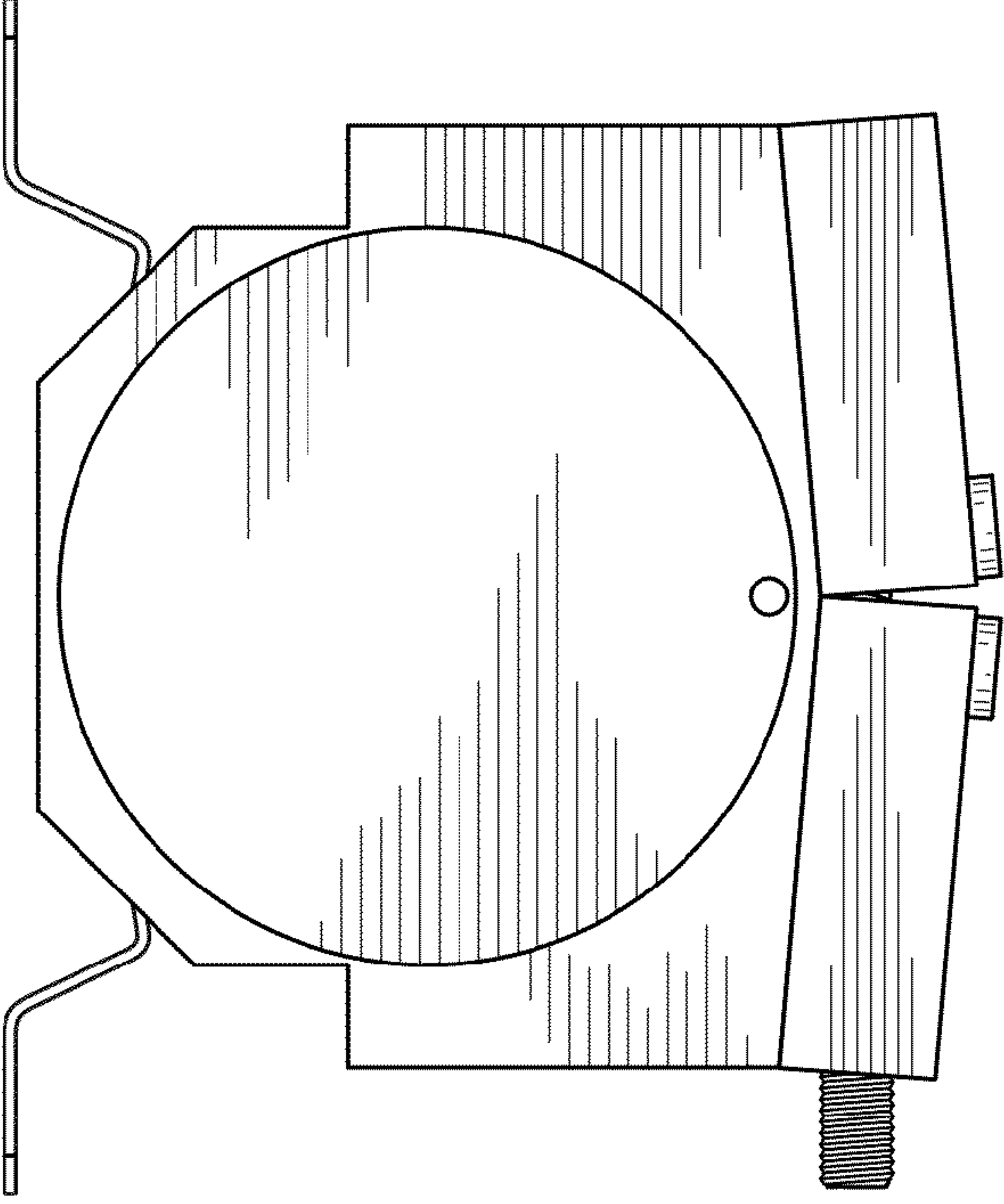


FIG. 4

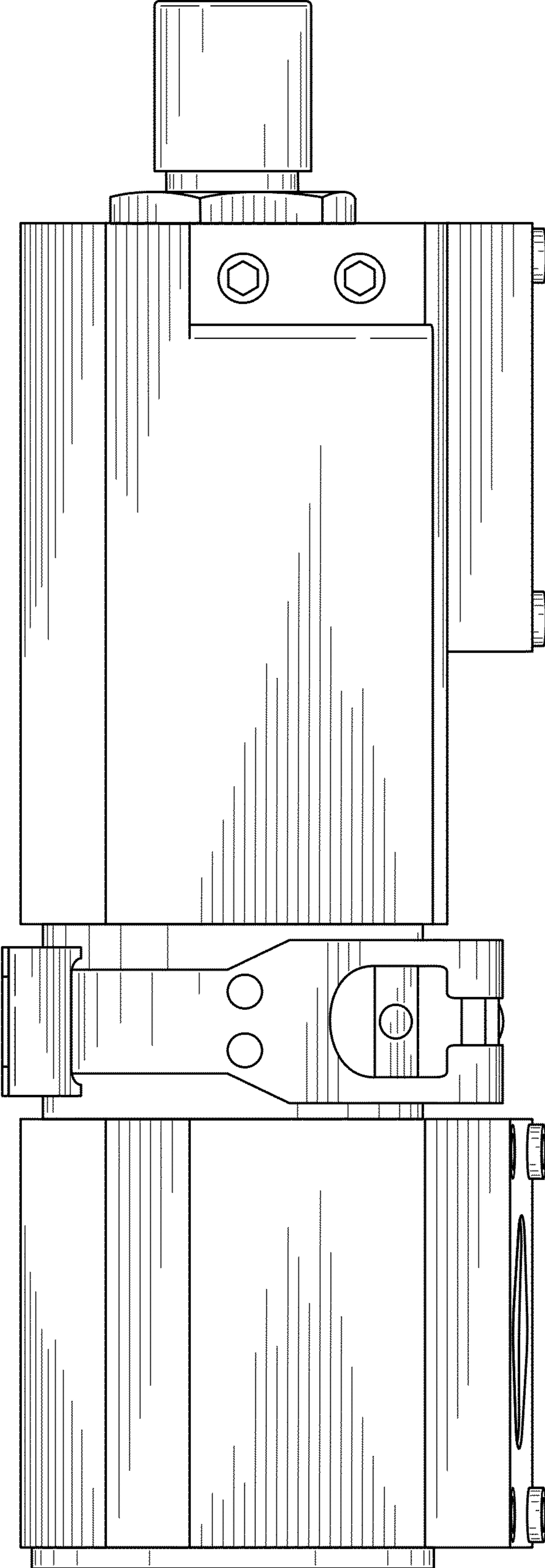


FIG. 5



FIG. 6

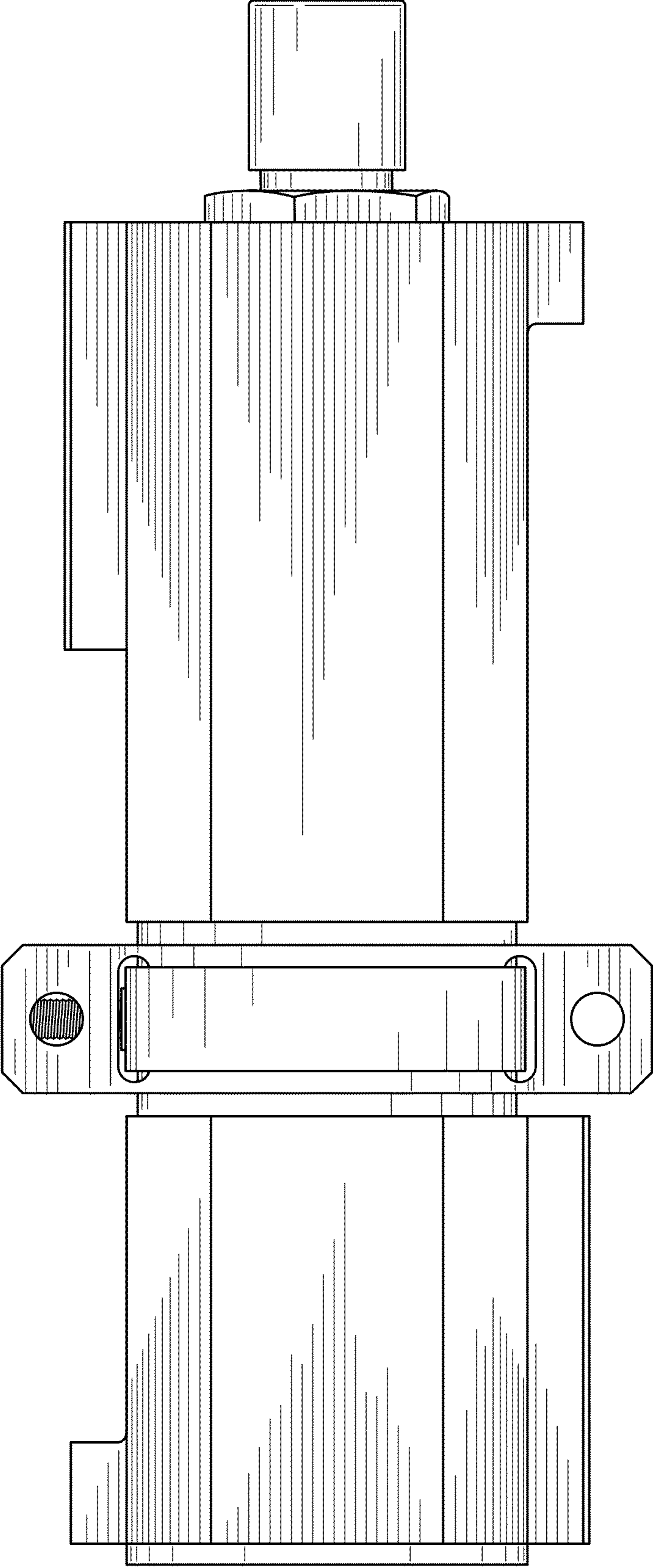


FIG. 7

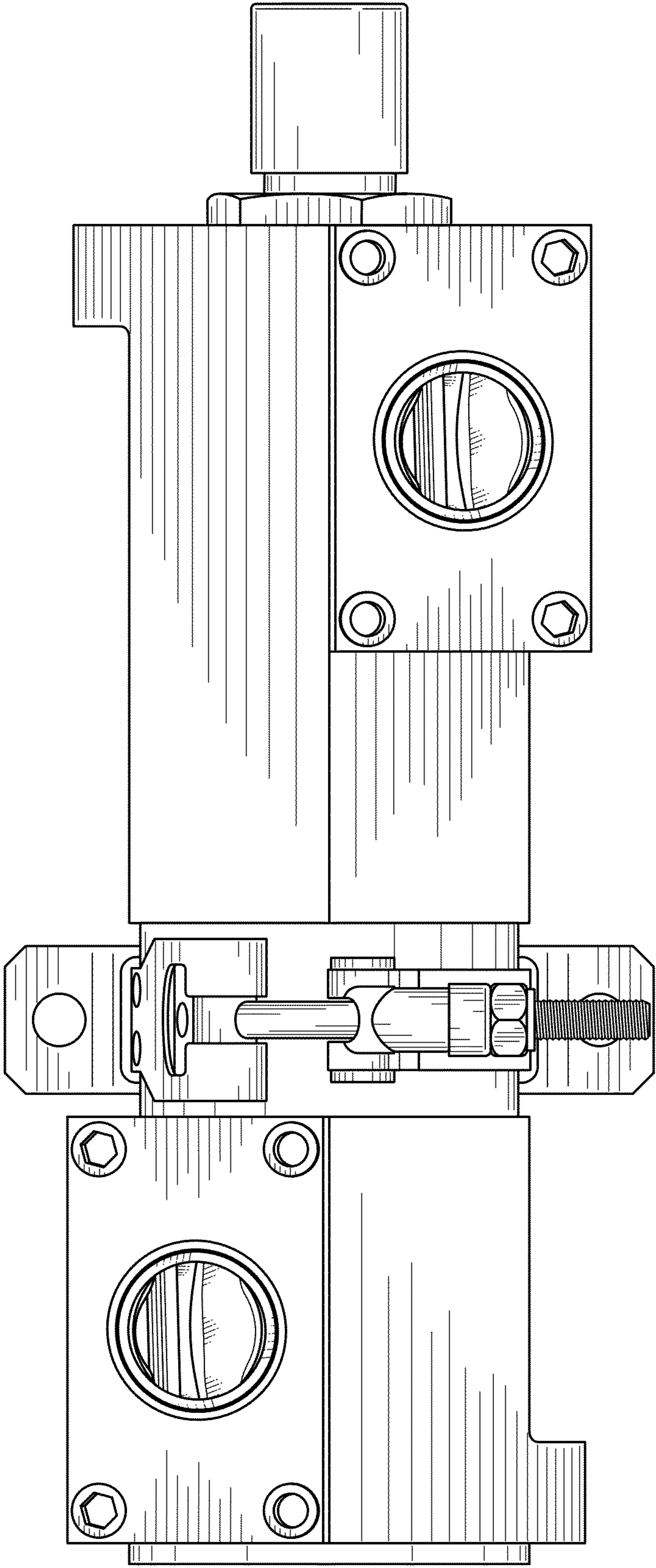


FIG. 8

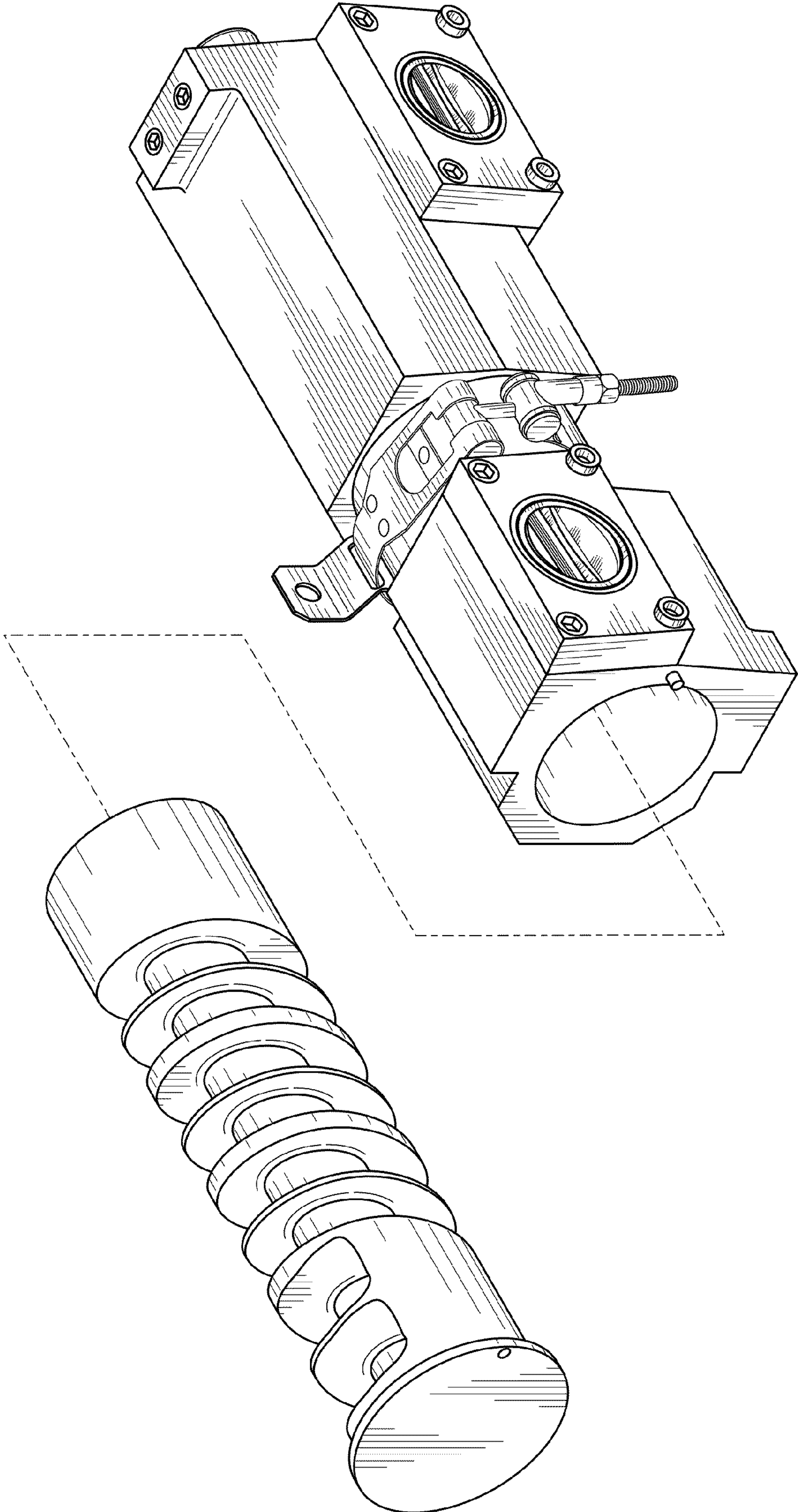


FIG. 9

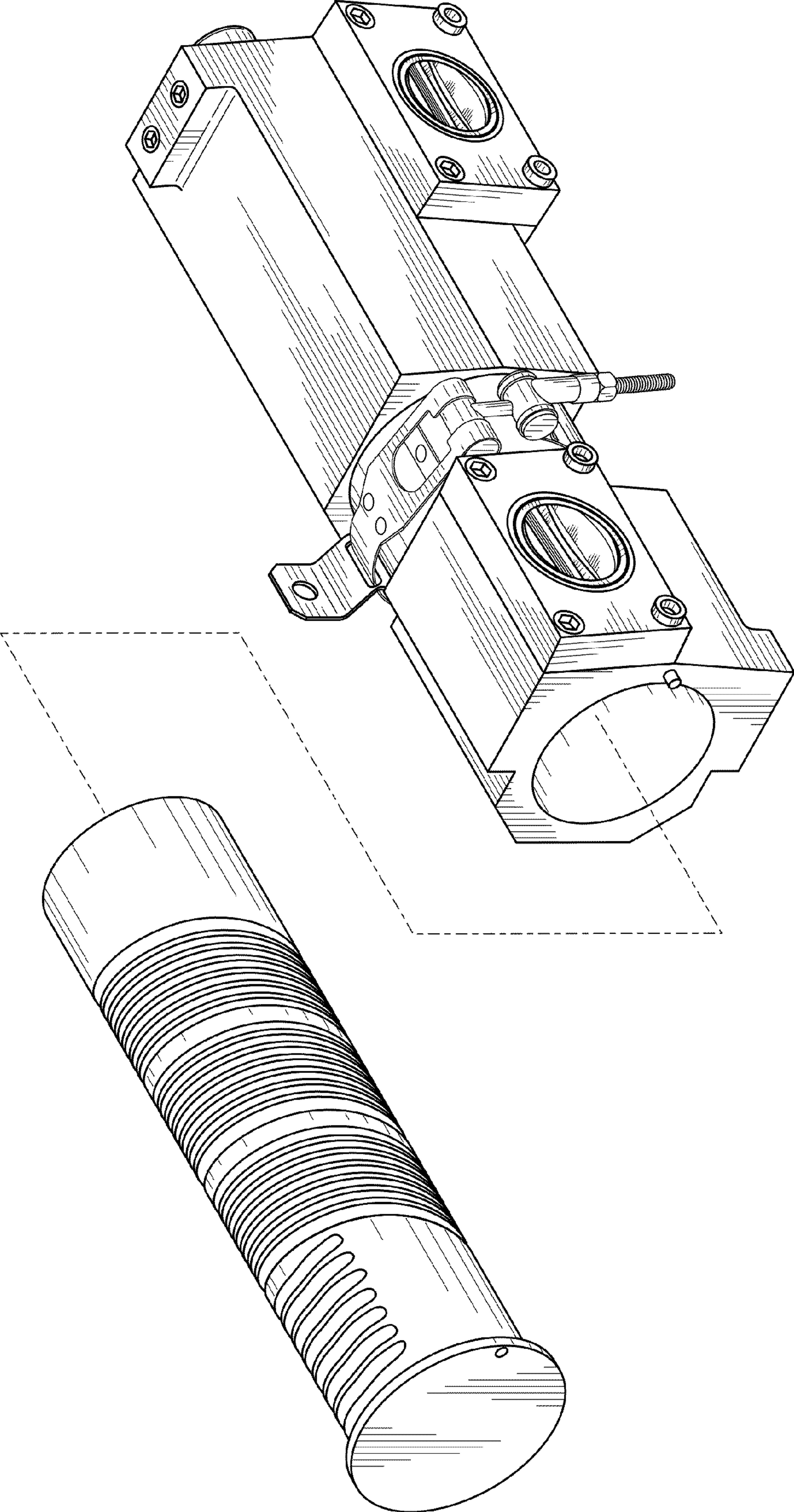


FIG. 10