



US00D742418S

(12) **United States Design Patent**  
**Lamparelli**

(10) **Patent No.:** **US D742,418 S**

(45) **Date of Patent:** **\*\* Nov. 3, 2015**

(54) **PROPULSION CONTROL SYSTEM FOR SHIP WITH A DISPLAY**

(56) **References Cited**

U.S. PATENT DOCUMENTS

(71) Applicant: **Wartsila Finland Oy, Vaasa (FI)**  
(72) Inventor: **Davide Lamparelli, Fitjar (NO)**  
(73) Assignee: **WARTSILA FINLAND OY, Vaasa (FI)**  
(\*\*) Term: **14 Years**

D573,936	S	*	7/2008	Jin	.....	D12/317
D581,855	S	*	12/2008	Arol	.....	D12/317
D663,253	S	*	7/2012	Bondesson	.....	D12/317
D663,254	S	*	7/2012	Bondesson	.....	D12/317
8,406,944	B2	*	3/2013	Garon et al.	.....	701/21
D689,423	S	*	9/2013	Park et al.	.....	D12/317
D689,424	S	*	9/2013	Park et al.	.....	D12/317
D710,781	S	*	8/2014	Park et al.	.....	D12/317
8,925,414	B1	*	1/2015	Park et al.	.....	74/471 XY
8,930,050	B2	*	1/2015	Garon et al.	.....	701/21
2007/0249244	A1	*	10/2007	Watanabe et al.	.....	440/84

(21) Appl. No.: **29/454,667**

(22) Filed: **May 13, 2013**

(30) **Foreign Application Priority Data**

Nov. 13, 2012	(EM)	.....	002134809
Nov. 13, 2012	(EM)	.....	002135004
Nov. 13, 2012	(EM)	.....	002135003

\* cited by examiner

*Primary Examiner* — T. Chase Nelson

*Assistant Examiner* — Ania Aman

(74) *Attorney, Agent, or Firm* — Muncy, Geissler, Olds & Lowe, P.C.

(51) **LOC (10) Cl.** ..... **15-01**

(57) **CLAIM**

The ornamental design for a propulsion control system for ship with a display, as shown and described.

(52) **U.S. Cl.**  
USPC ..... **D15/4; D12/317**

**DESCRIPTION**

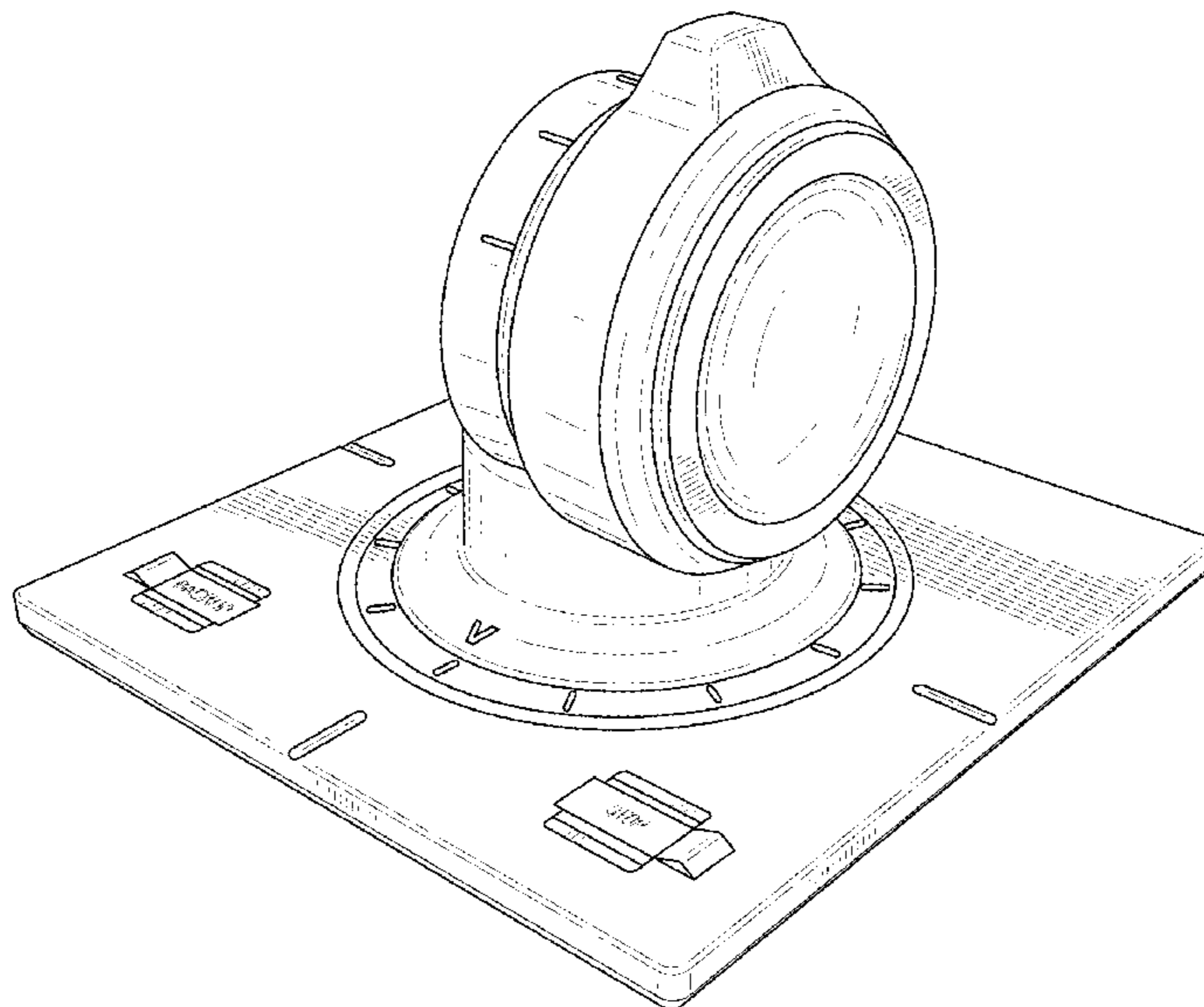
(58) **Field of Classification Search**  
USPC ..... D15/5, 4; D12/300, 301, 303–315, 317, D12/174, 178–180; D13/134, 168, 169, D13/173; D10/49; 74/469, 473.1–473.12, 74/473.19, 473.2, 590 B, 491; 440/84–87, 440/98, 111, 112, 113  
CPC ..... B63H 21/21; B63H 21/213; Y10T 137/87064; Y10T 74/20732; Y10T 74/20612; Y10T 137/87072; Y10T 74/20636; Y10T 74/20201; F02D 11/106; F02D 41/2464

FIG. 1 is a perspective view of a propulsion control system for ship with a display showing my new design;  
FIG. 2 is a rear elevational view thereof;  
FIG. 3 is a front elevational view thereof;  
FIG. 4 is a top plan view thereof;  
FIG. 5 is a right side view thereof;  
FIG. 6 is a left side view thereof; and,  
FIG. 7 is a perspective view thereof with the top portion rotated 180°.

The broken line showing is for the purpose of illustrating portions of the propulsion control system for a ship with a display which form no part of the claimed design.

See application file for complete search history.

**1 Claim, 7 Drawing Sheets**



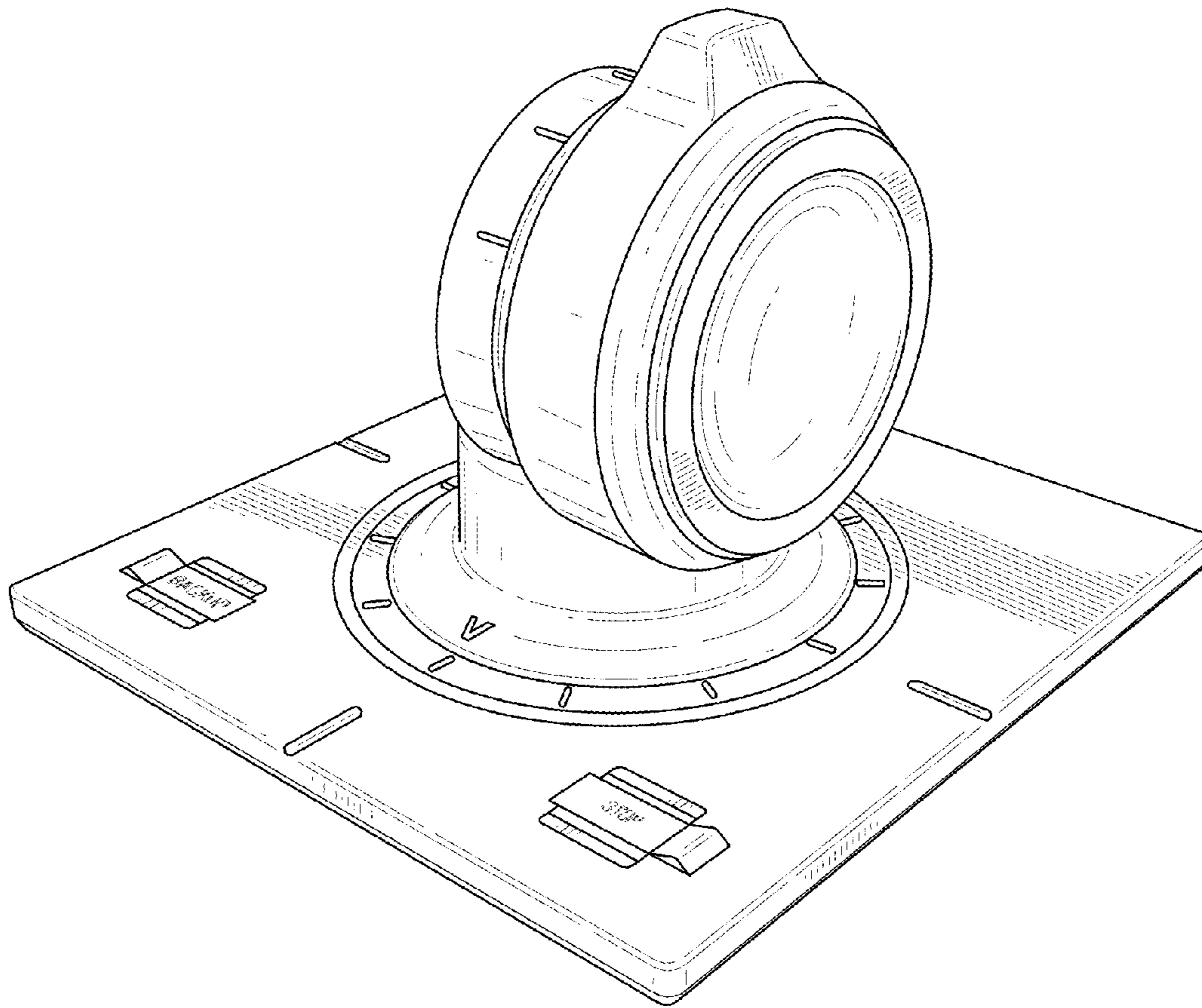


FIG.1

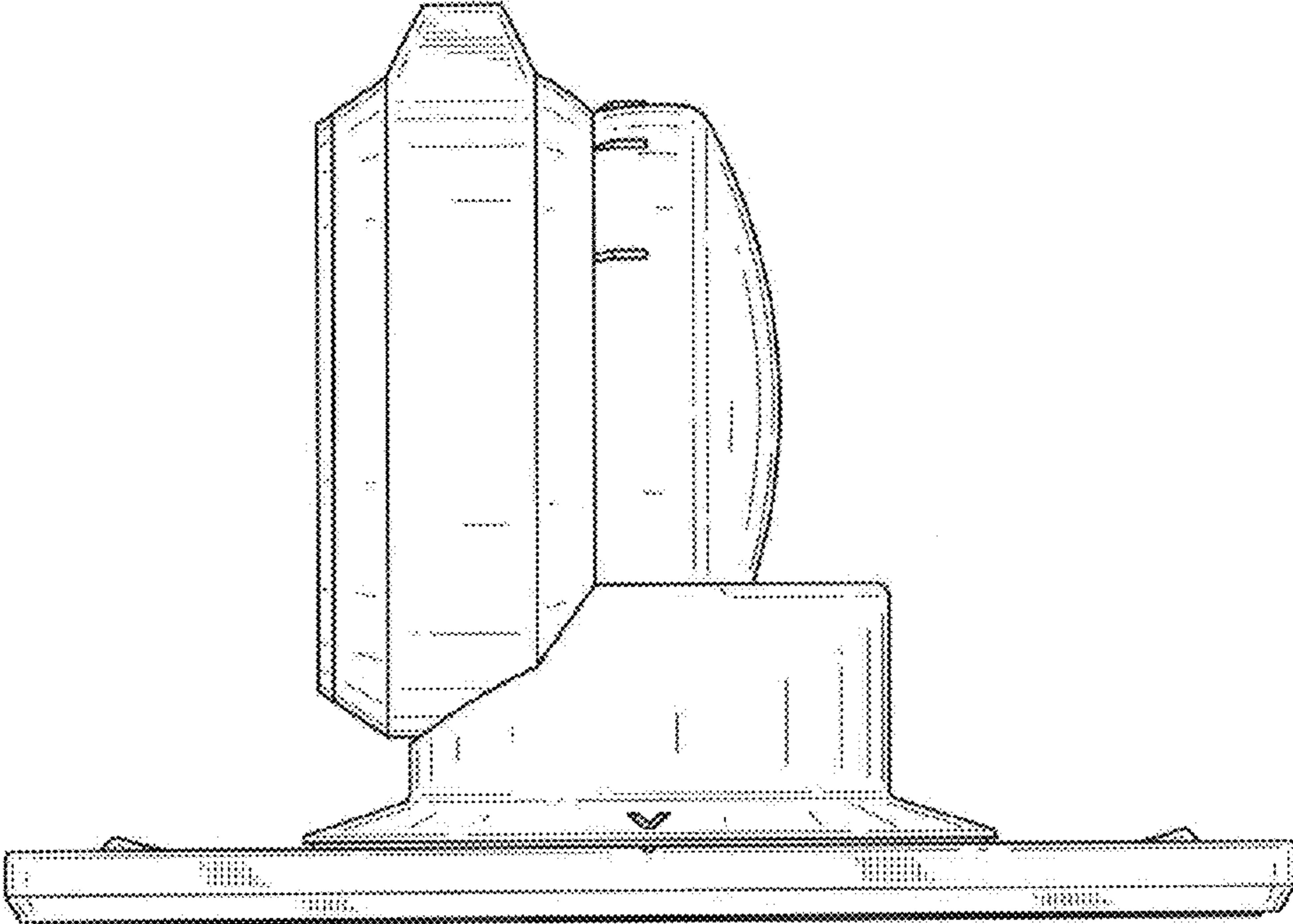


FIG. 2

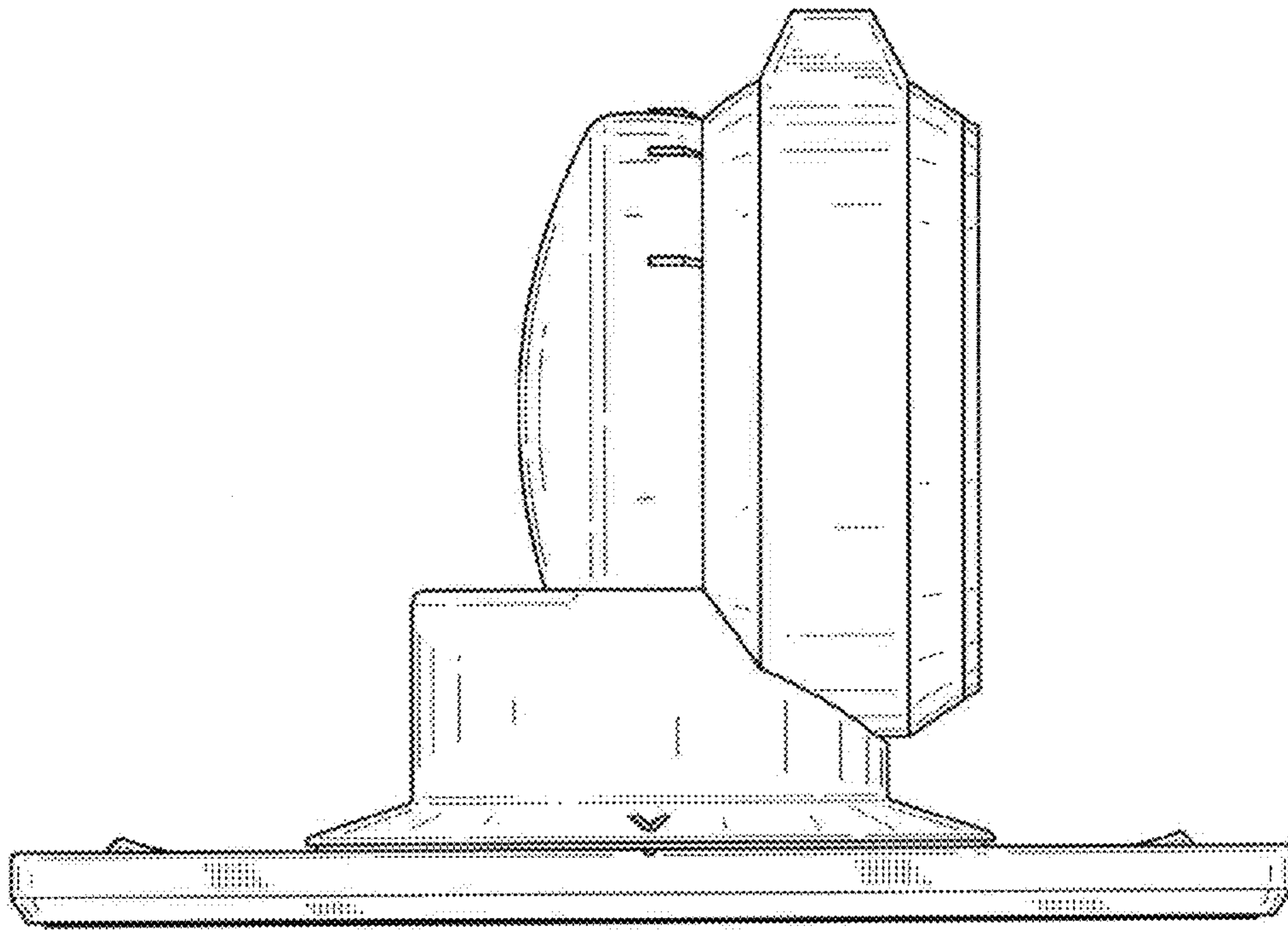


FIG.3

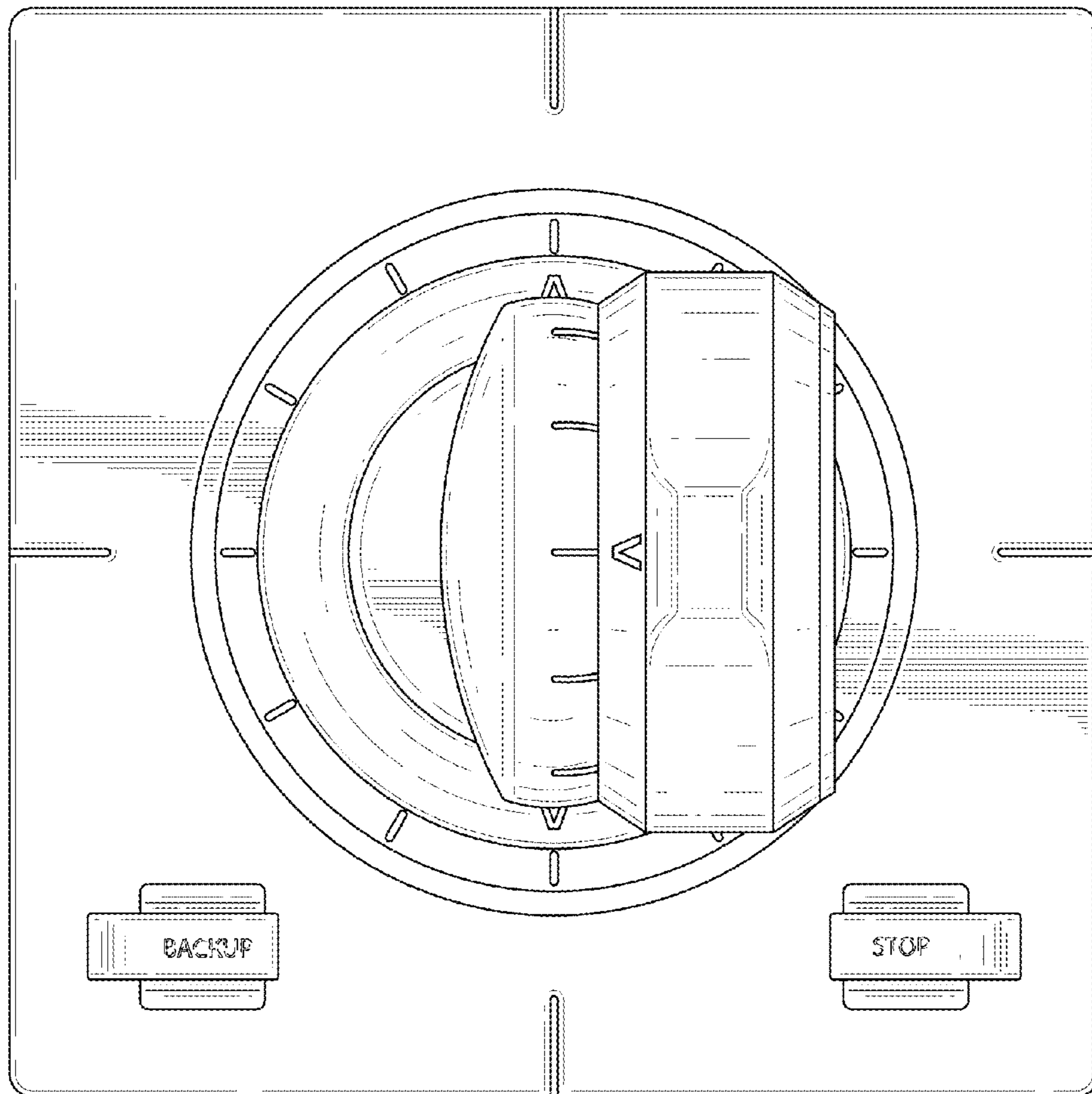


FIG. 4

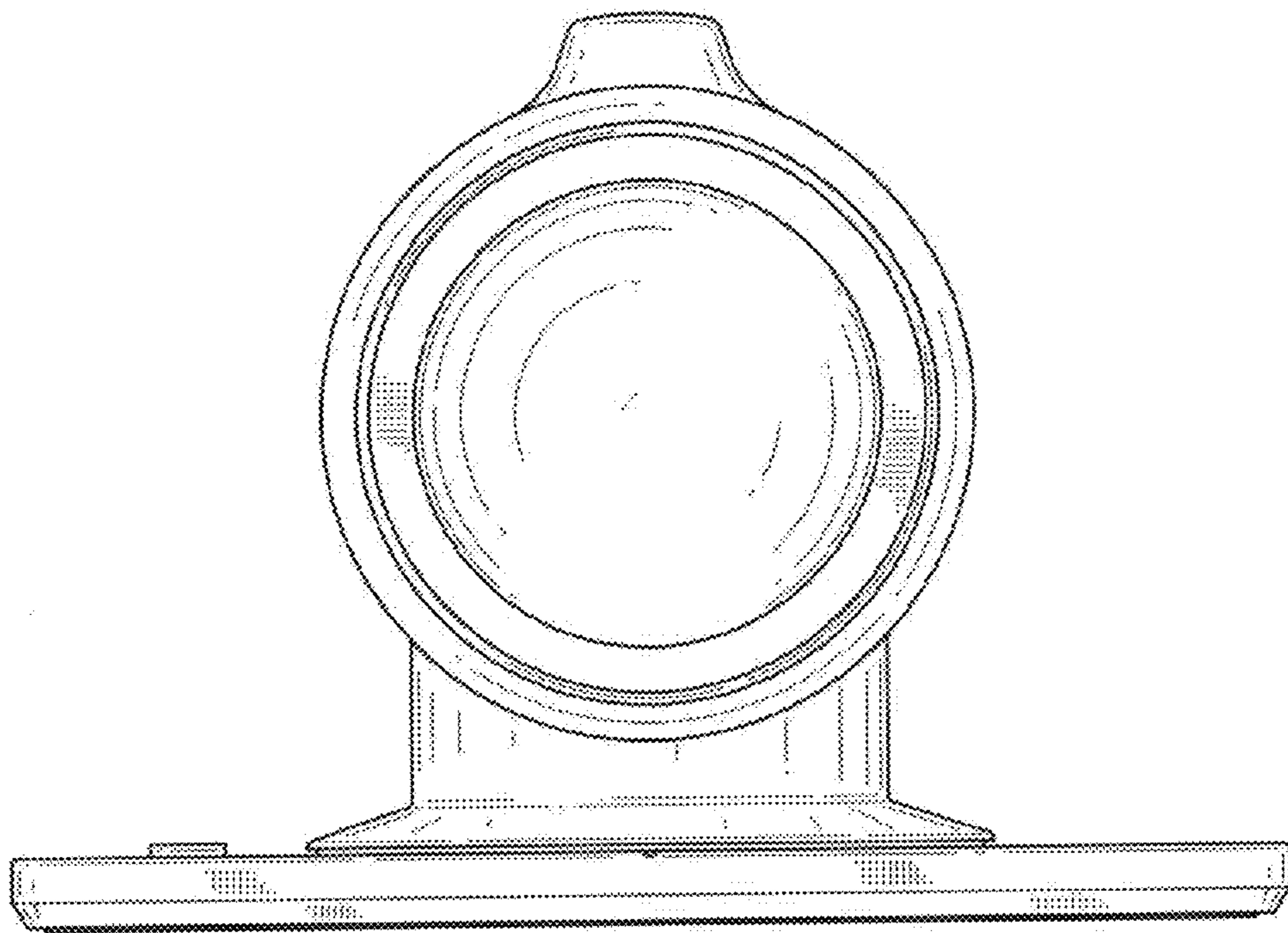


FIG. 5

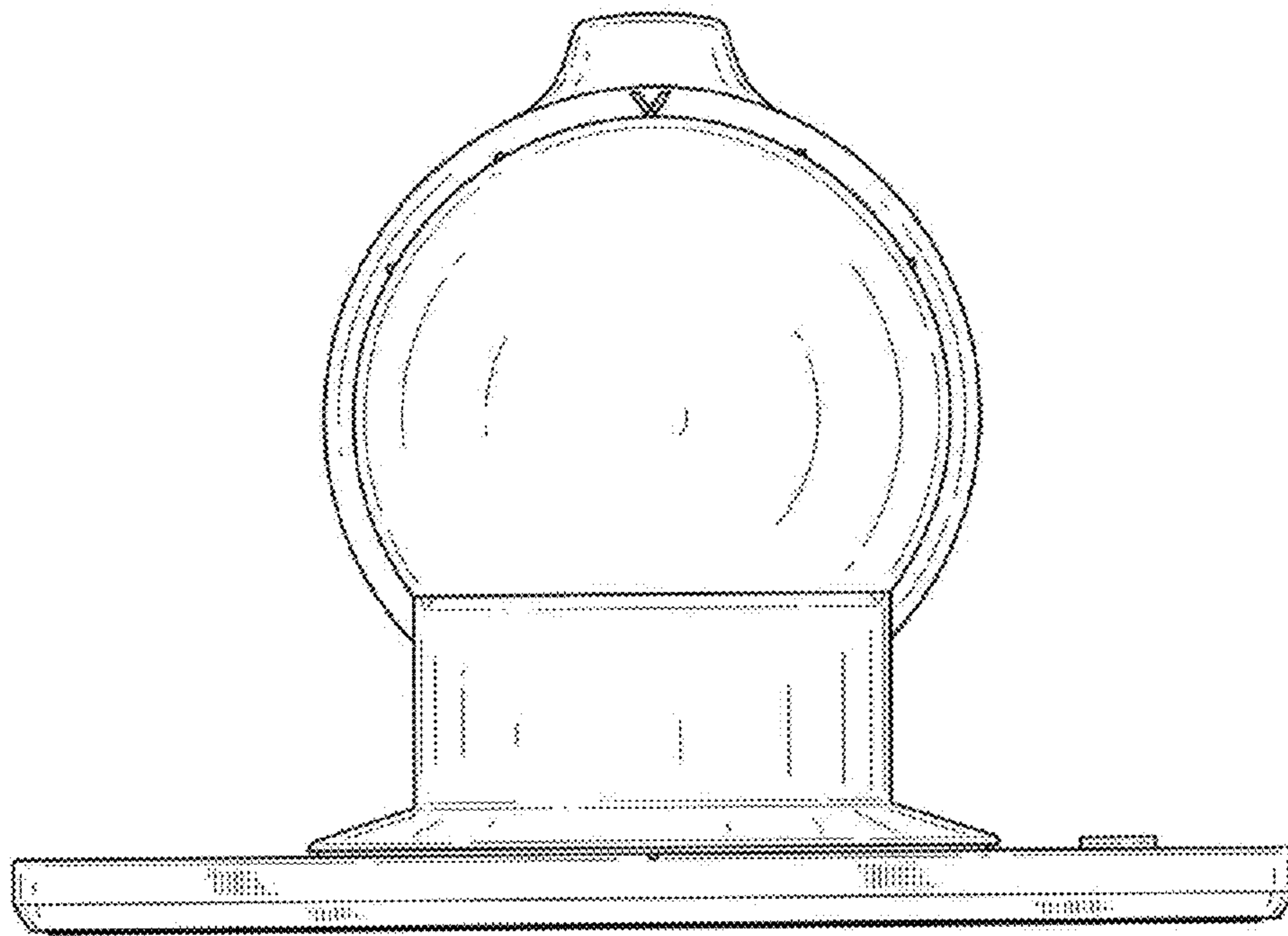


FIG.6

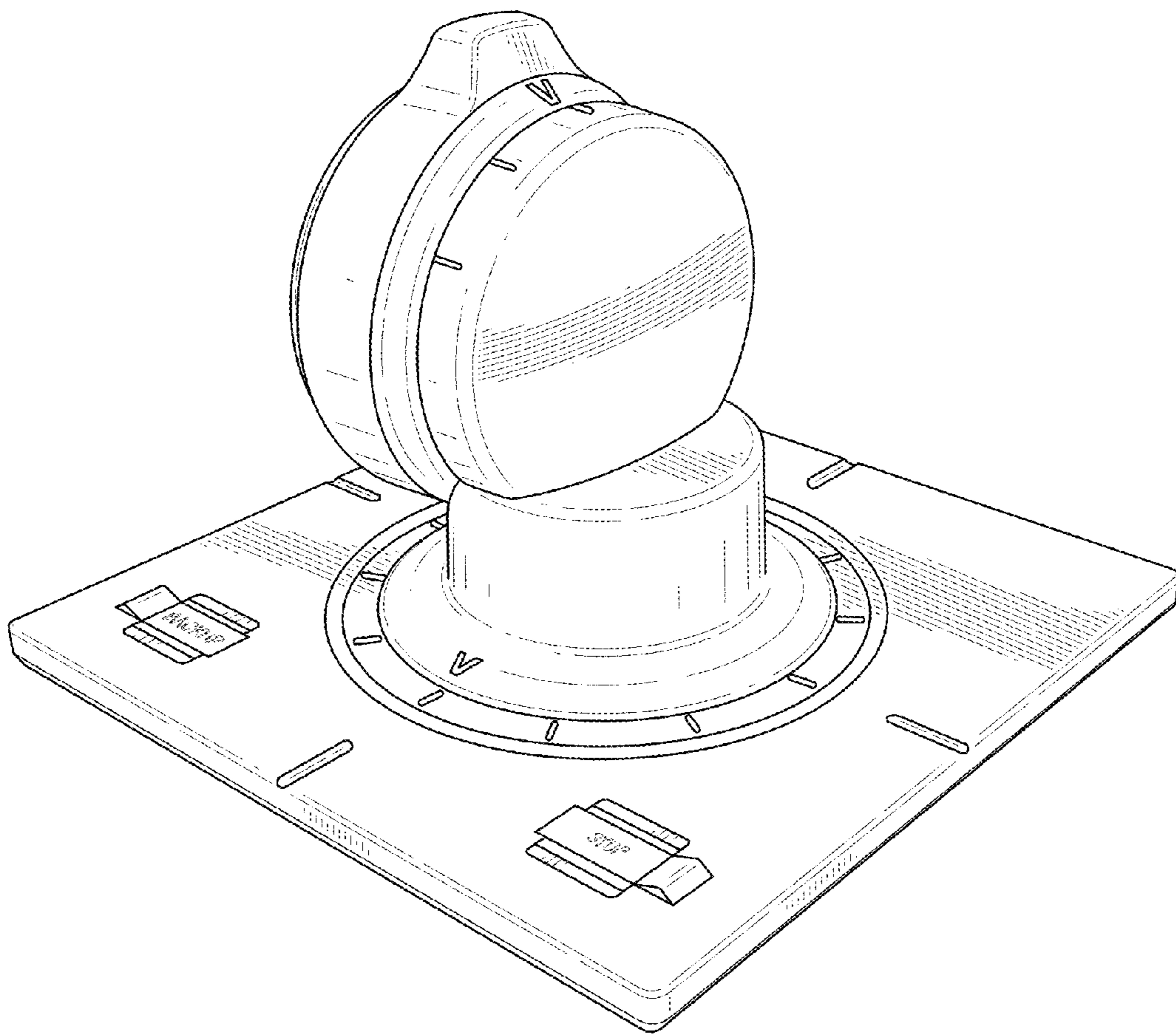


FIG.7