



US00D742410S

(12) **United States Design Patent**
Park et al.

(10) **Patent No.:** **US D742,410 S**

(45) **Date of Patent:** **** Nov. 3, 2015**

(54) **DISPLAY SCREEN OR PORTION THEREOF WITH GRAPHICAL USER INTERFACE**

(56) **References Cited**

U.S. PATENT DOCUMENTS

(71) Applicant: **Samsung Electronics Co., Ltd.**,
Suwon-si (KR)

D399,501	S	*	10/1998	Arora et al.	D14/491
D600,705	S	*	9/2009	LaManna et al.	D14/492
D600,715	S	*	9/2009	LaManna et al.	D14/492
D633,523	S	*	3/2011	Trabona et al.	D14/493
D652,429	S	*	1/2012	Steele et al.	D14/493
D664,563	S	*	7/2012	Phelan	D14/492
D673,581	S	*	1/2013	Kobayashi	D14/492
D676,872	S	*	2/2013	Koehn et al.	D14/492
D677,336	S	*	3/2013	Murphy et al.	D20/27
D681,661	S	*	5/2013	Koehn et al.	D14/488
8,994,973	B2	*	3/2015	Seo et al.	358/1.13
D727,965	S	*	4/2015	Kwon	D14/492

(72) Inventors: **Yong-Man Park**, Yongin-si (KR);
Ji-Hyun Moon, Seoul (KR)

(73) Assignee: **Samsung Electronics Co., Ltd.**,
Suwon-si (KR)

(**) Term: **14 Years**

* cited by examiner

(21) Appl. No.: **29/476,493**

Primary Examiner — Barbara Fox

(22) Filed: **Dec. 13, 2013**

(74) *Attorney, Agent, or Firm* — NSIP Law

Related U.S. Application Data

(57) **CLAIM**

(63) Continuation of application No. 29/448,560, filed on
Mar. 13, 2013.

The ornamental design for a display screen or portion thereof
with graphical user interface, as shown and described.

(51) **LOC (10) Cl.** **14-04**

DESCRIPTION

(52) **U.S. Cl.**
USPC **D14/489**

FIG. 1 is a front view of a display screen or portion thereof
with graphical user interface showing our new design; and,
FIG. 2 is a front view thereof, in which a display screen in
broken lines is provided to illustrate an example environment.
The broken lines shown in the drawings represent portions of
the display screen or portion thereof with graphical user inter-
face and environment that form no part of the claimed design.

(58) **Field of Classification Search**
USPC D14/485-495
CPC G06T 13/80; G06T 15/02; G06F 3/04817
See application file for complete search history.

1 Claim, 2 Drawing Sheets

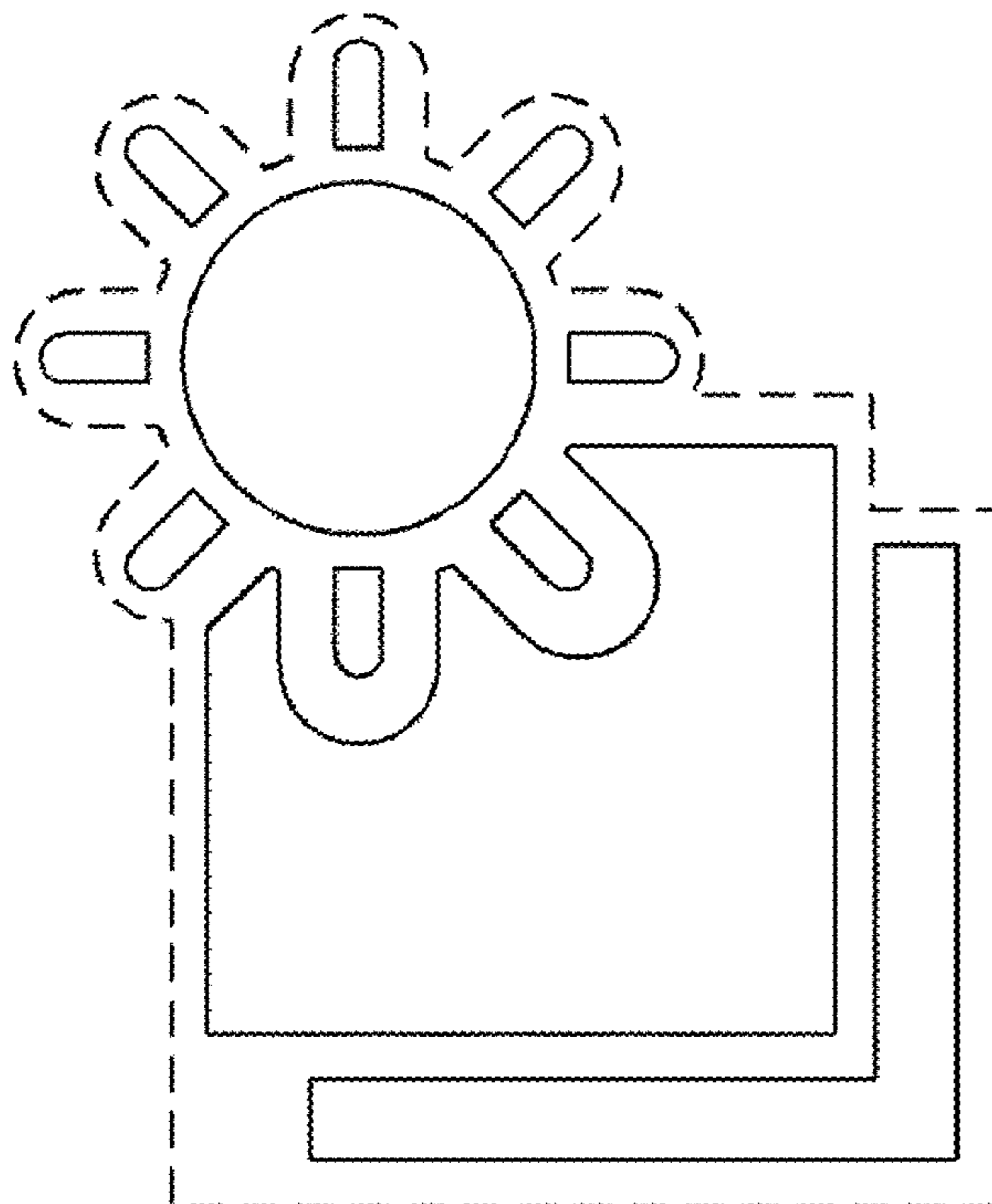


Fig. 1

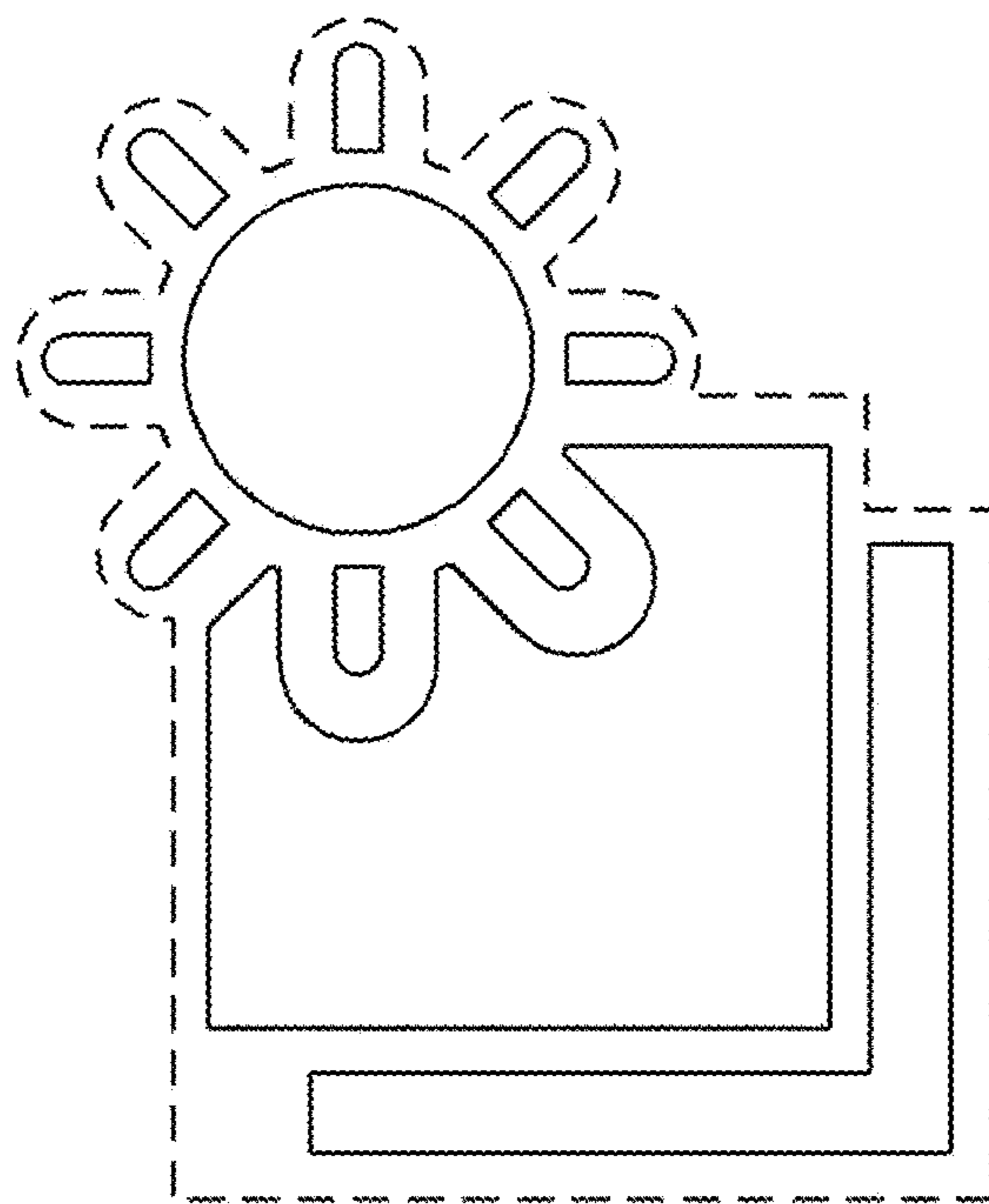


Fig. 2

