



US00D742406S

(12) **United States Design Patent**
DuPont et al.

(10) **Patent No.:** **US D742,406 S**
(45) **Date of Patent:** **** Nov. 3, 2015**

(54) **DISPLAY PANEL PORTION WITH A TRANSITIONAL GRAPHICAL USER INTERFACE**

2008/0168270	A1 *	7/2008	Kulakowski et al.	713/168
2008/0253739	A1 *	10/2008	Livesey	386/95
2010/0214322	A1 *	8/2010	Lim et al.	345/661
2014/0136364	A1 *	5/2014	Gadre	705/26.8
2014/0229342	A1 *	8/2014	Marlowe et al.	705/27.2

(71) Applicant: **Google Inc.**, Mountain View, CA (US)

(72) Inventors: **Ben DuPont**, Pittsburgh, PA (US);
Trevor Austin Gray, San Francisco, CA (US);
Mark William Andrews, San Francisco, CA (US)

(73) Assignee: **GOOGLE INC.**, Mountain View, CA (US)

(**) Term: **14 Years**

(21) Appl. No.: **29/461,710**

(22) Filed: **Jul. 26, 2013**

(51) **LOC (10) Cl.** **14-04**

(52) **U.S. Cl.**
USPC **D14/488**

(58) **Field of Classification Search**
USPC D14/485-495; D18/24-33; D20/11-28;
715/711-867, 961-978; 345/619-624,
345/627, 628, 635-689
CPC ... G06F 3/0481; G06F 3/048; G06F 3/04817;
G06F 3/04847; G06F 3/04812; G06F 3/0485
See application file for complete search history.

(56) **References Cited**

U.S. PATENT DOCUMENTS

D549,719	S *	8/2007	Vafiadis et al.	D14/487
D621,412	S *	8/2010	Ording et al.	D14/487
D648,735	S *	11/2011	Arnold et al.	D14/486
D652,840	S *	1/2012	Morsa	D14/487
D692,915	S *	11/2013	Brinda et al.	D14/488
8,972,895	B2 *	3/2015	Gonsalves et al.	715/825
2007/0245249	A1 *	10/2007	Weisberg	715/758
2008/0082426	A1 *	4/2008	Gokturk et al.	705/27

OTHER PUBLICATIONS

Magneto Ecommerce App [online]. Magneto. [Mar. 3, 2015].
Retrieved from the Internet:<<http://nanowebgroup.com/wp-content/uploads/2014/08/phones02.png>>.*

(Continued)

Primary Examiner — Barbara Fox

Assistant Examiner — Jennifer L Rempfer

(74) *Attorney, Agent, or Firm* — Leason Ellis LLP

(57) **CLAIM**

The ornamental design for a display panel portion with a transitional graphical user interface, as shown and described.

DESCRIPTION

FIG. 1 is a front view of a display panel portion with a transitional graphical user interface showing a first image in a sequence of the claimed design;
FIG. 2 is a front view of a second image included in the sequence of the claimed design; and,
FIG. 3 is a front view of a third image included in the sequence of the claimed design.

The longer-incremented broken lines showing of a portion of a display panel of a communications terminal illustrate environment and form no part of the claimed design. The images and text in shown in finer-incremented broken lines illustrate features of the transitional graphical user interface that form no part of the claimed design.

The appearance of the transitional image sequentially transitions between the images shown in FIGS. 1 through 3. The process or period in which an image transitions to another image forms no part of the claimed design.

1 Claim, 2 Drawing Sheets



(56)

References Cited

OTHER PUBLICATIONS

Google Express App, updated Dec. 2014 [online]. App store on iTunes/ Apple. [Mar. 3, 2015]. Retrieved from the Internet:<https://

itunes.apple.com/us/app/google-shopping-express/
id690229094?utm_source=gsxmall&utm_medium=banner
&utm_campaign=app>.*

* cited by examiner

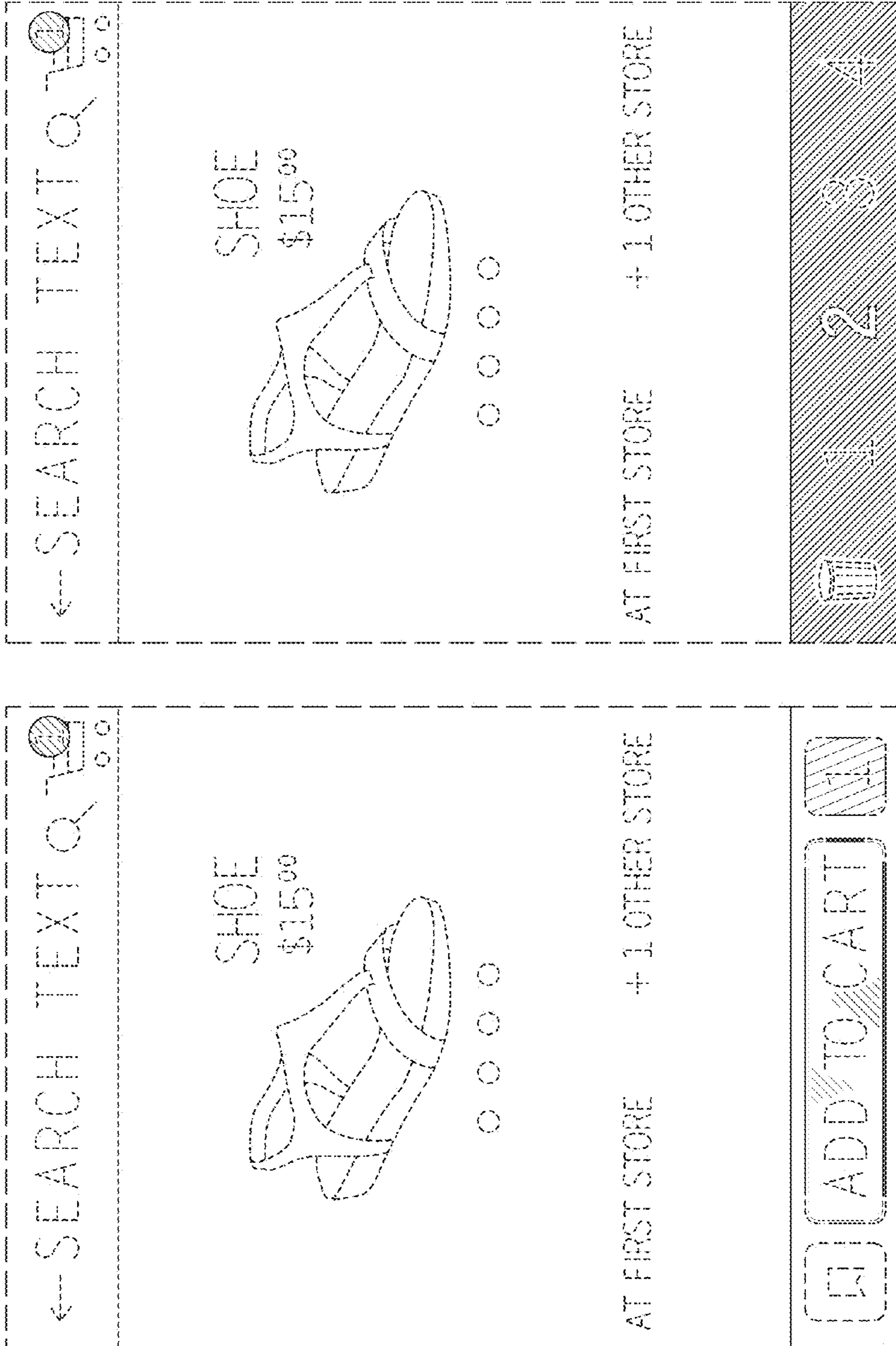


Fig. 1

Fig. 2

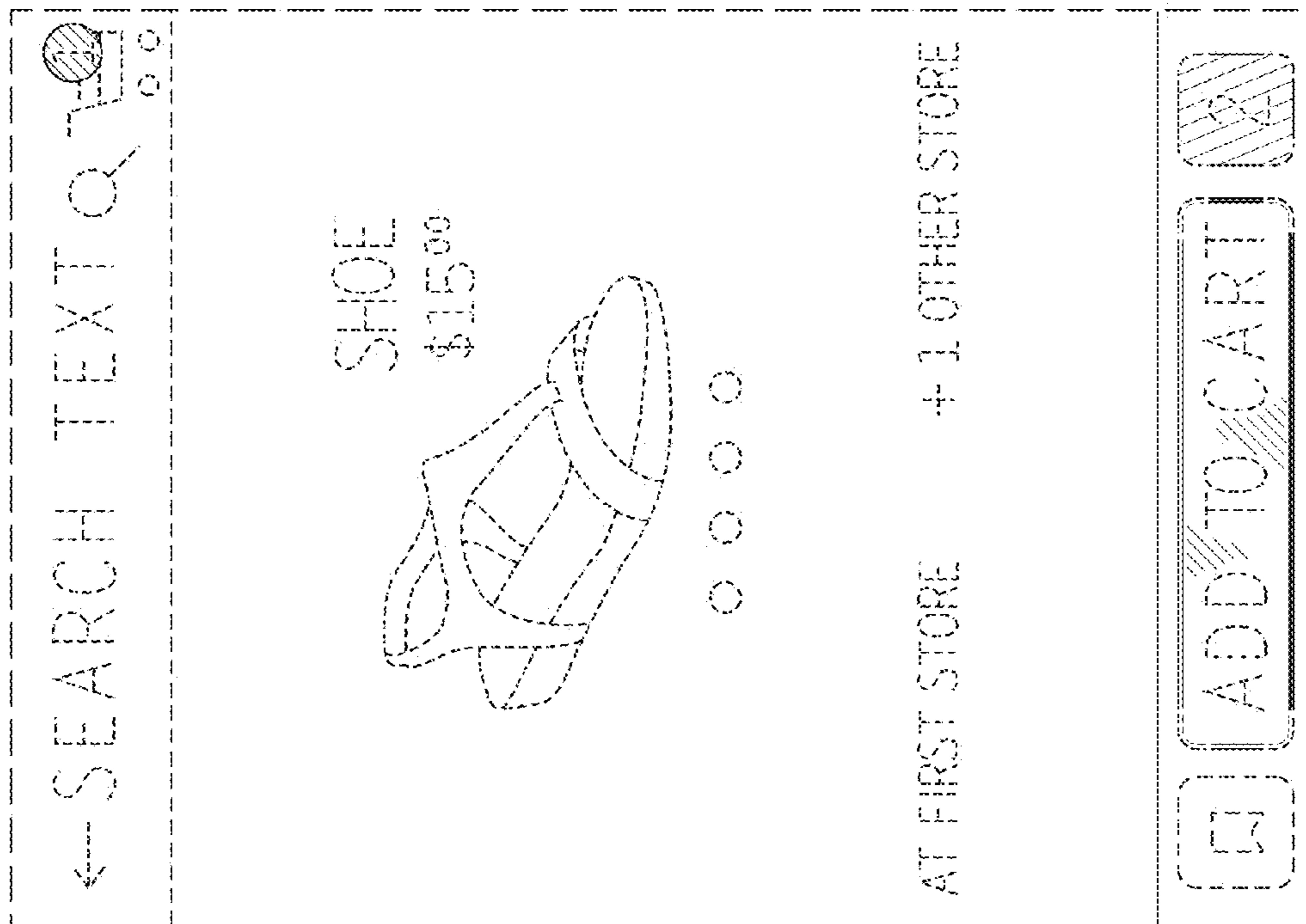


Fig. 3