



US00D742387S

(12) **United States Design Patent**
Xiang et al.

(10) **Patent No.:** **US D742,387 S**

(45) **Date of Patent:** **** Nov. 3, 2015**

(54) **CLAMP**

(56) **References Cited**

(71) Applicant: **LOCTEK VISUAL TECHNOLOGY CORP., Ningbo (CN)**

U.S. PATENT DOCUMENTS

(72) Inventors: **Lehong Xiang, Ningbo (CN); Qiang Chen, Ningbo (CN); Haoyu Ye, Ningbo (CN)**

D650,774	S	*	12/2011	Molter	D14/239
D679,716	S	*	4/2013	Mo	D14/447
D684,980	S	*	6/2013	Chun	D14/447
D685,379	S	*	7/2013	Richter	D14/447
D685,804	S	*	7/2013	Richter	D14/447
D689,502	S	*	9/2013	Belitz et al.	D14/447
D692,013	S	*	10/2013	Crysell	D14/447
D717,804	S	*	11/2014	Budge	D14/447
2005/0236536	A1	*	10/2005	Fan	248/176.3
2012/0025036	A1	*	2/2012	Huang	248/122.1
2013/0148273	A1	*	6/2013	Tsai	361/679.01
2013/0240587	A1	*	9/2013	Buchhalter	224/570
2014/0285968	A1	*	9/2014	Budge	361/679.56

(73) Assignee: **LOCTEK VISUAL TECHNOLOGY CORP., Ningbo (CN)**

(**) Term: **14 Years**

* cited by examiner

(21) Appl. No.: **29/504,745**

Primary Examiner — Angela J Lee

(22) Filed: **Oct. 9, 2014**

(74) *Attorney, Agent, or Firm* — Chun-Ming Shih; HDLS IPR Services

(30) **Foreign Application Priority Data**

Apr. 10, 2014 (CN) 2014 3 0084215

(57) **CLAIM**

The ornamental design for a clamp, as shown and described.

(51) **LOC (10) Cl.** **08-07**

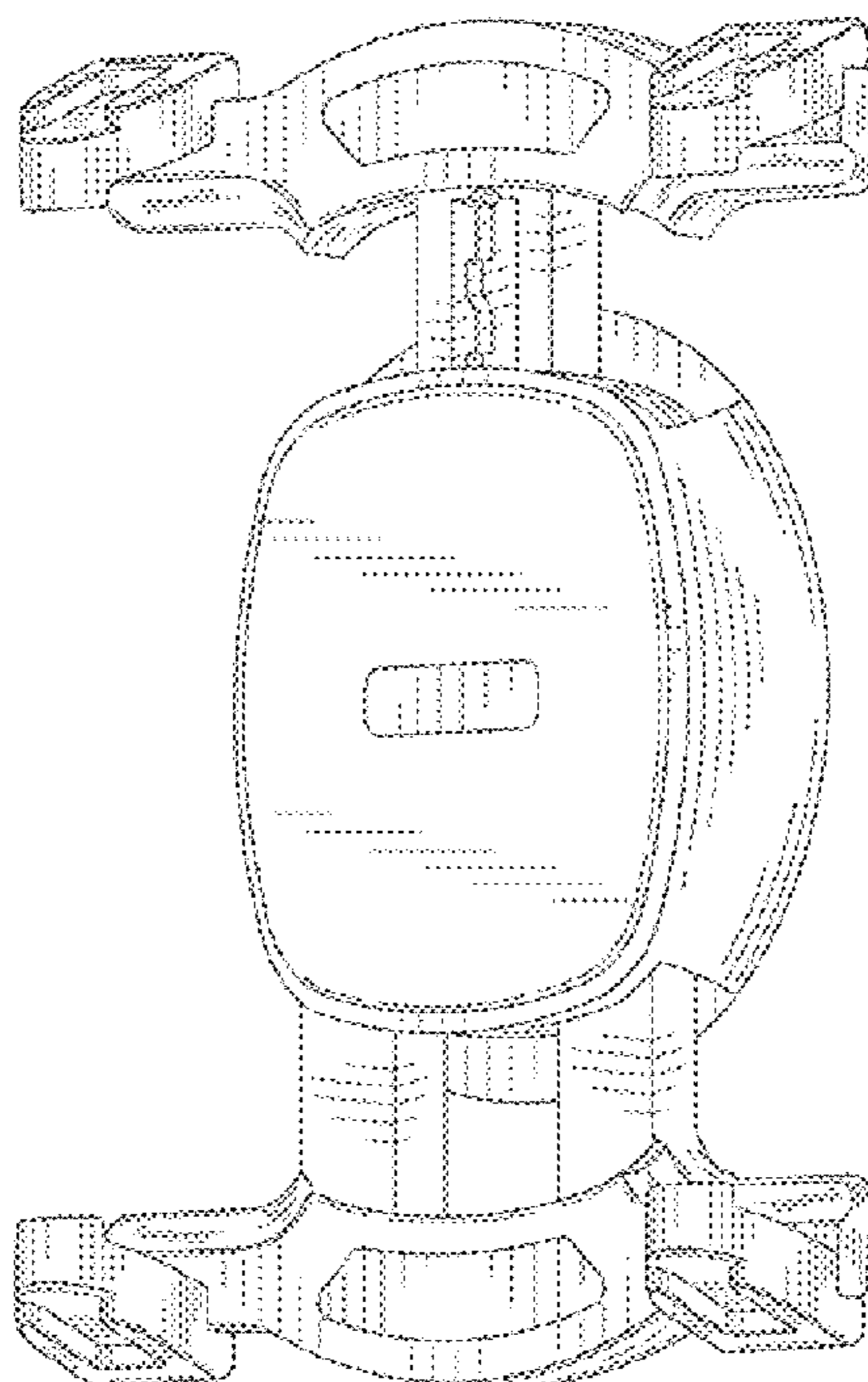
DESCRIPTION

(52) **U.S. Cl.**
USPC **D14/447**

FIG. 1 is a perspective view of a clamp showing our new design;
FIG. 2 is a front view thereof;
FIG. 3 is a rear view thereof;
FIG. 4 is a left side view thereof;
FIG. 5 is a right side view thereof;
FIG. 6 is a top view thereof;
FIG. 7 is a bottom view thereof; and,
FIG. 8 is a perspective view showing the clamp in use.

(58) **Field of Classification Search**
USPC D14/447, 432, 434, 439, 440, 451, 452, D14/457, 239; D12/415; D6/406.3, 406.4, D6/406.5, 406.6; D8/363, 373, 380
CPC F16M 2200/00; F16M 13/00; A45C 2011/003; A45C 2011/002; A47B 2023/049; A47B 2097/005; A47B 2097/006; A47B 21/04
See application file for complete search history.

1 Claim, 7 Drawing Sheets



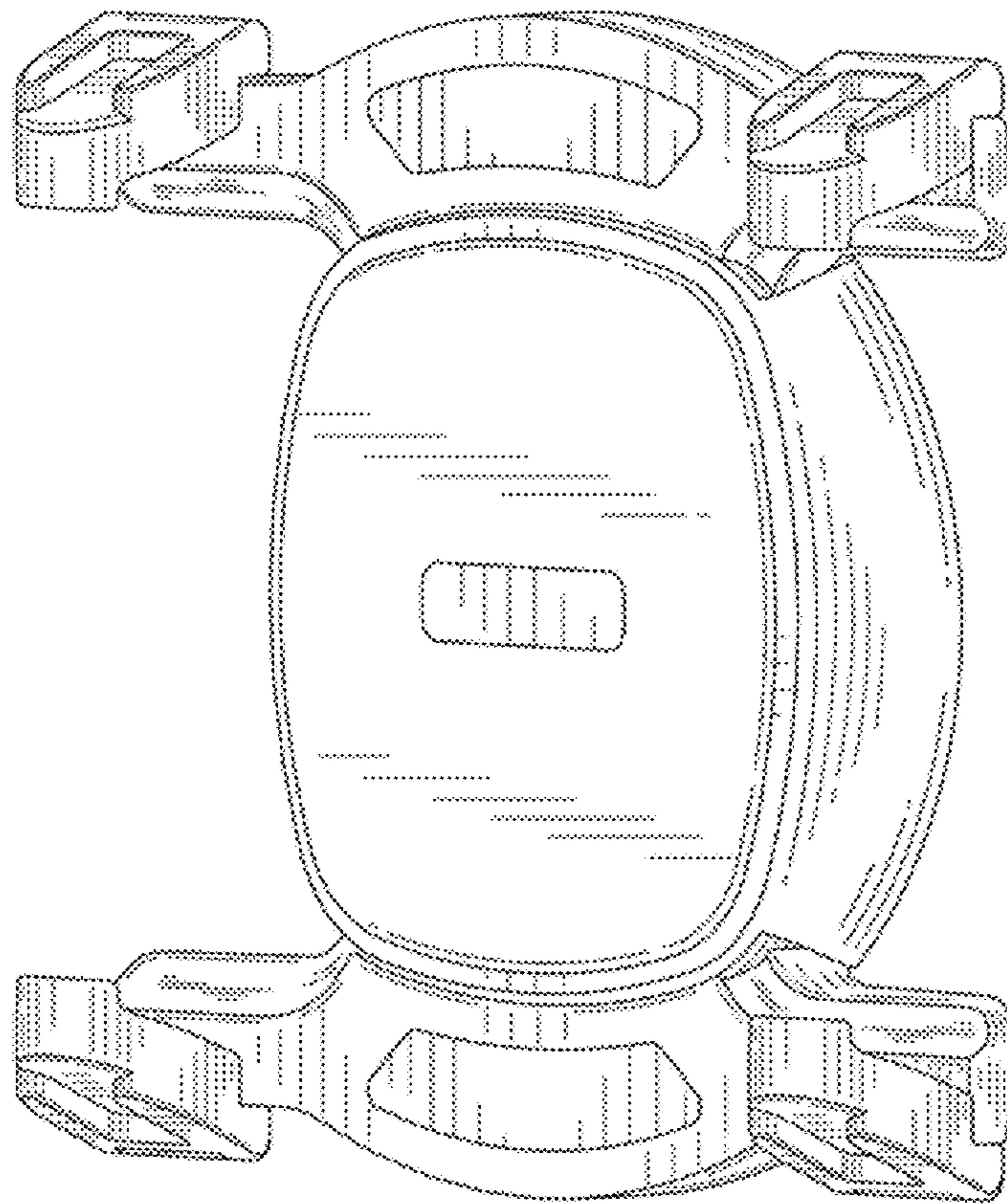


FIG.1

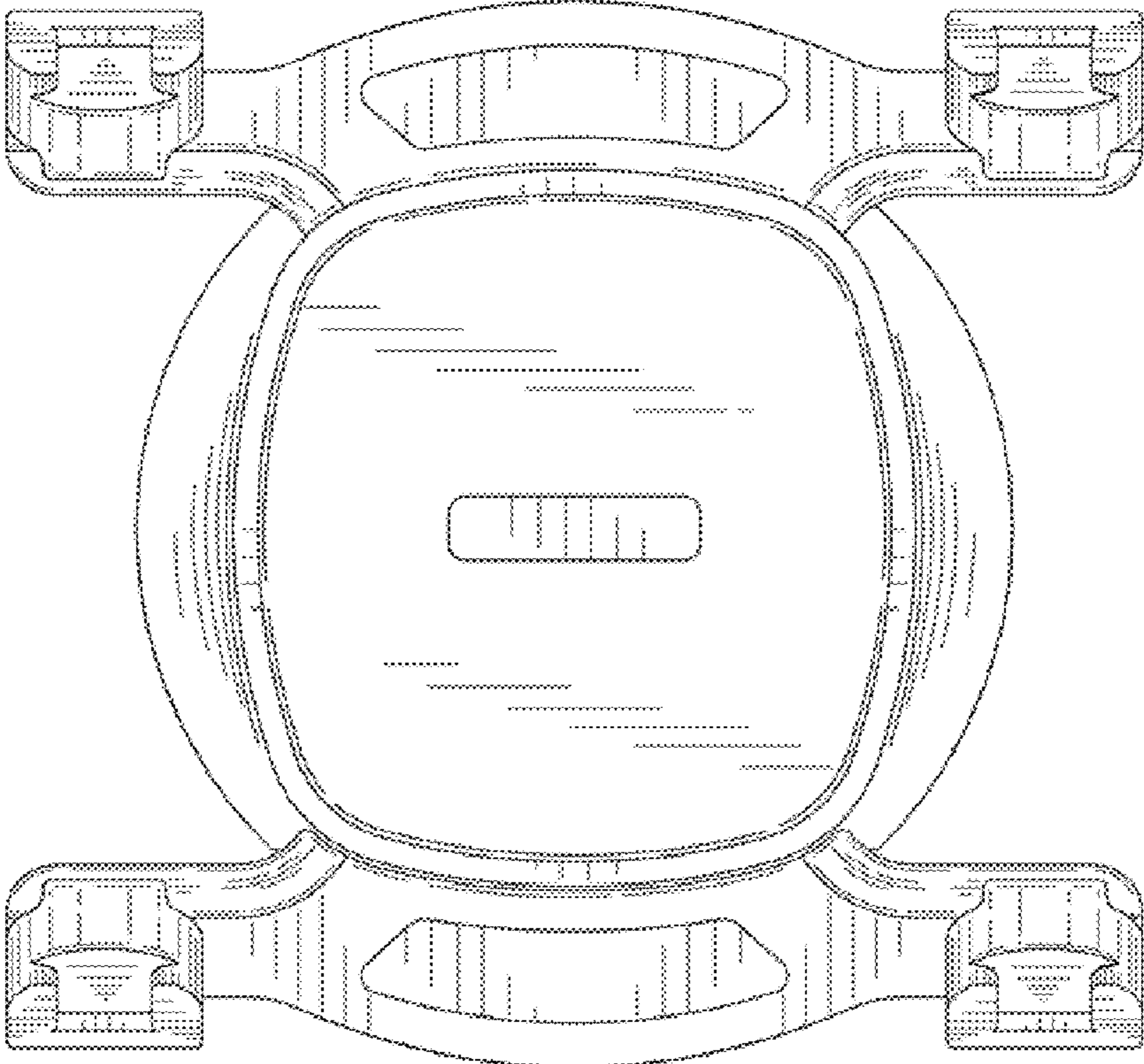


FIG.2

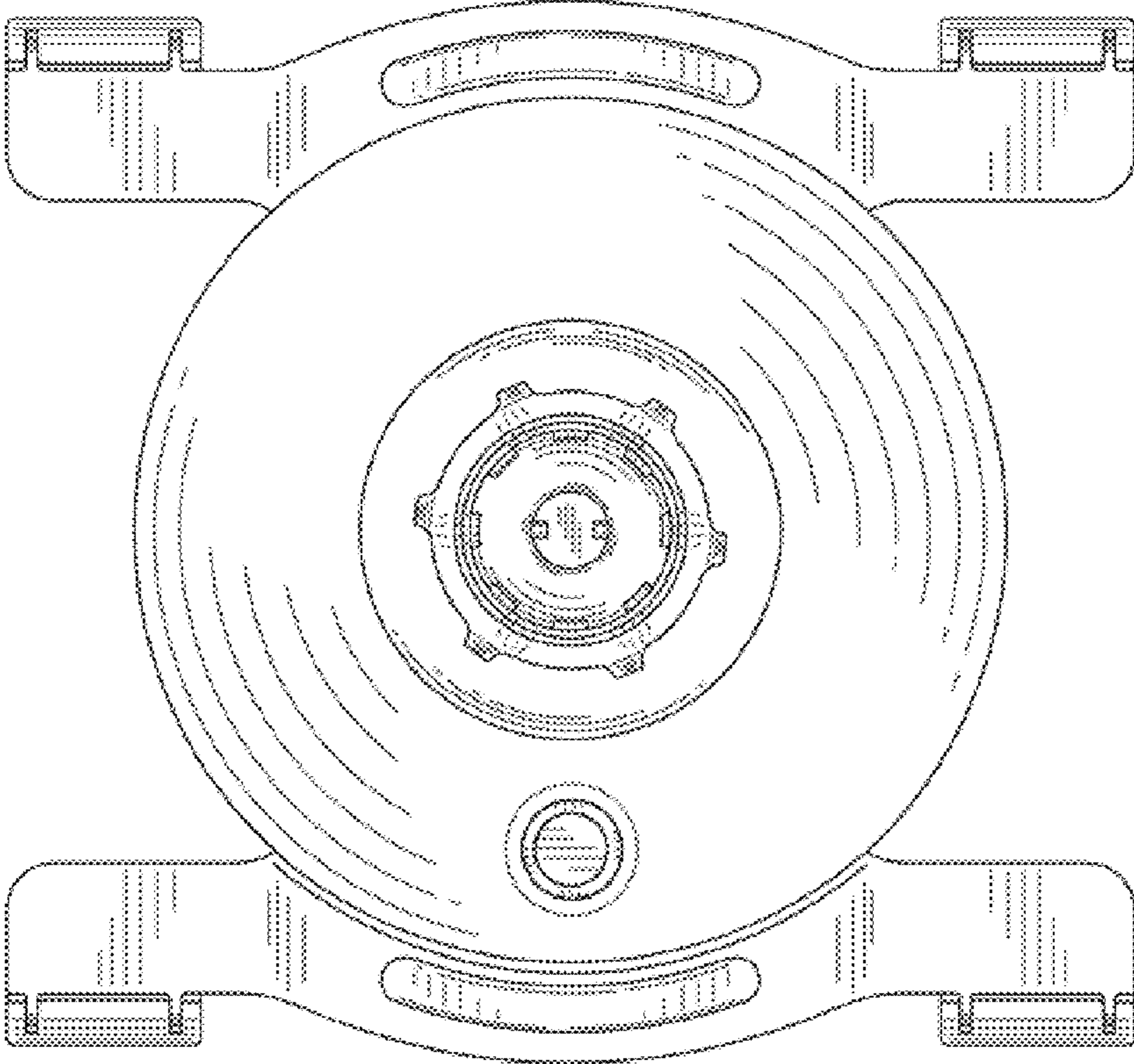


FIG.3

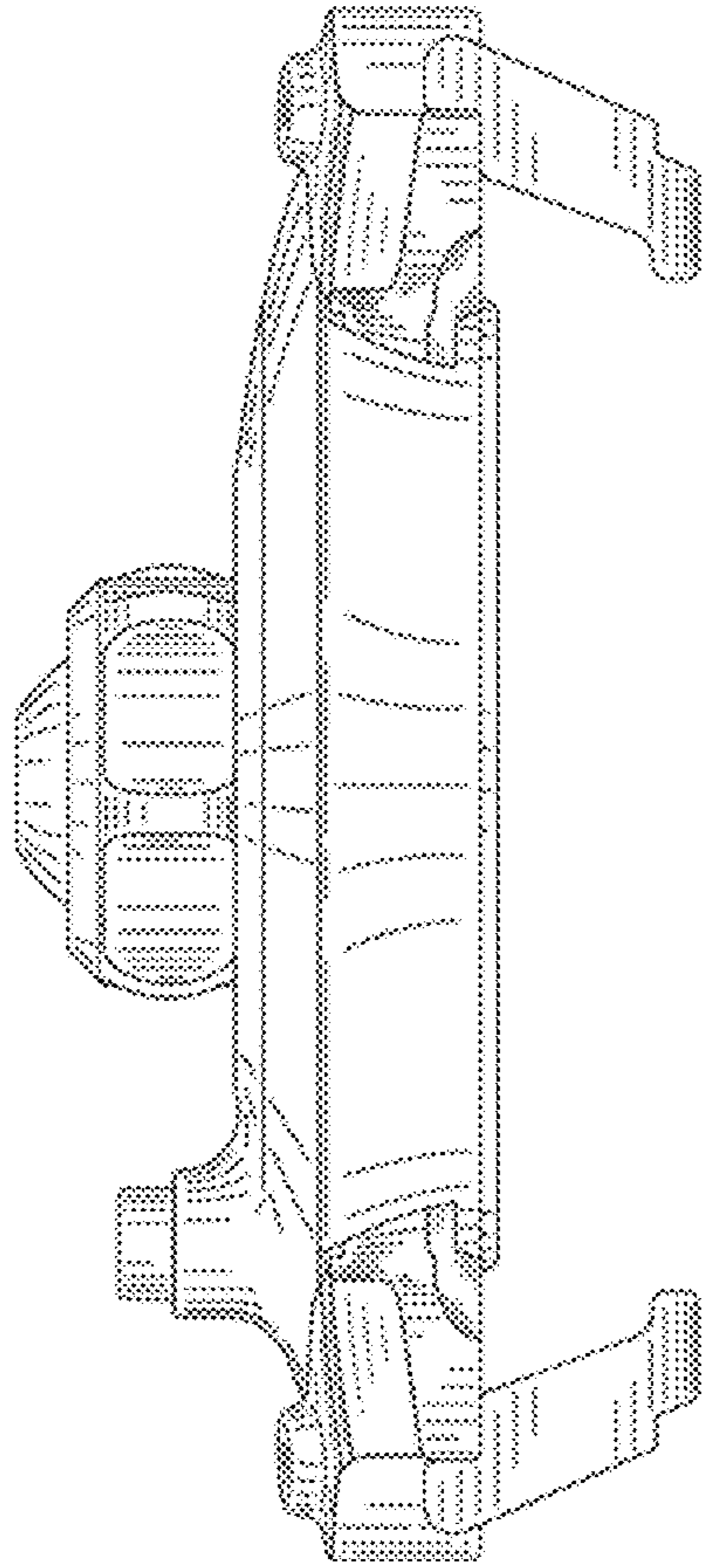


FIG.4

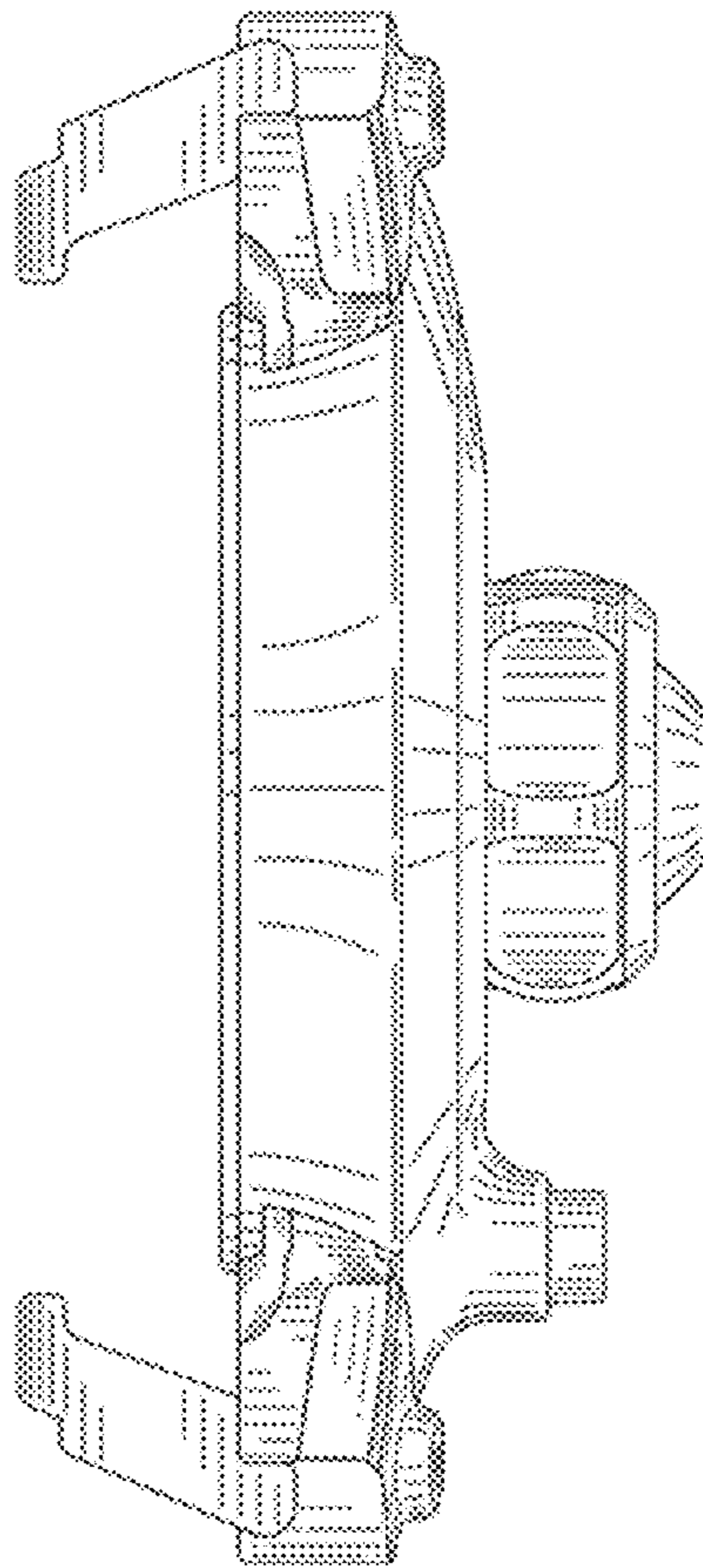


FIG.5

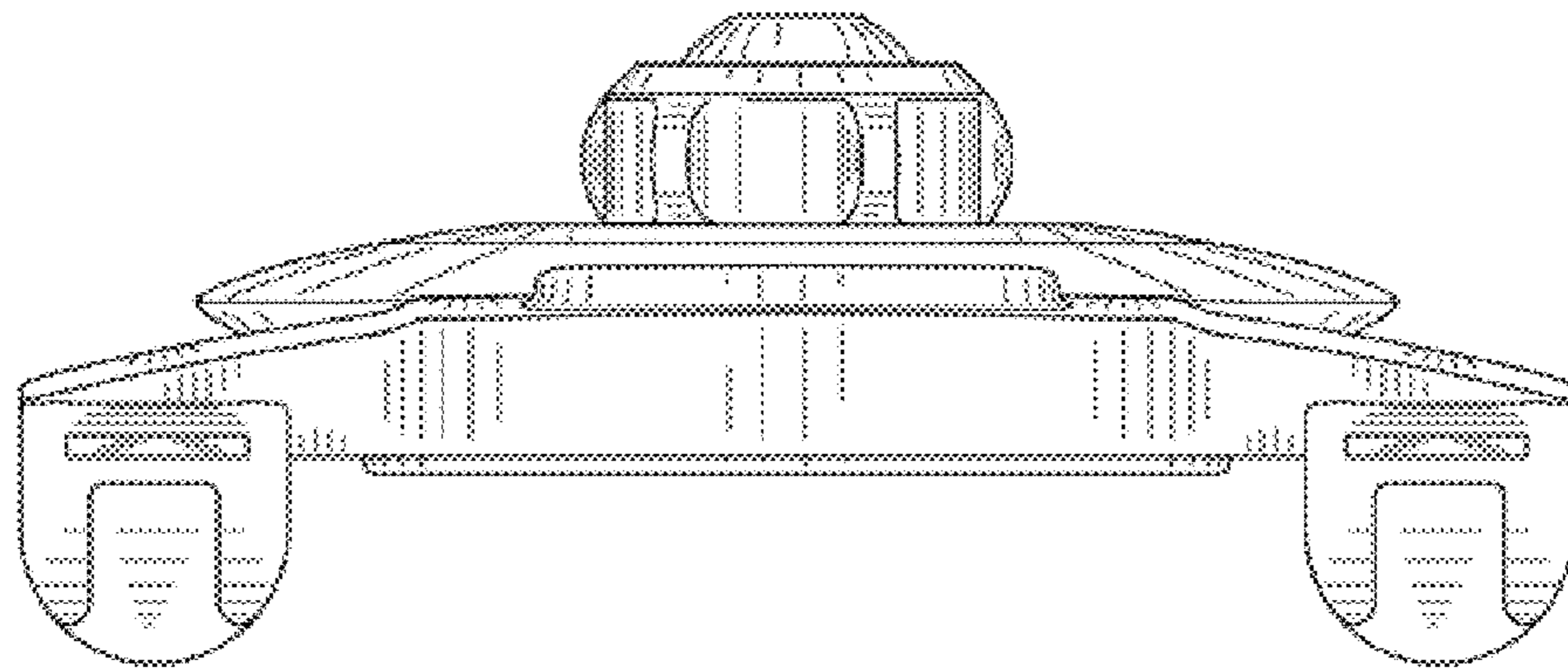


FIG. 6

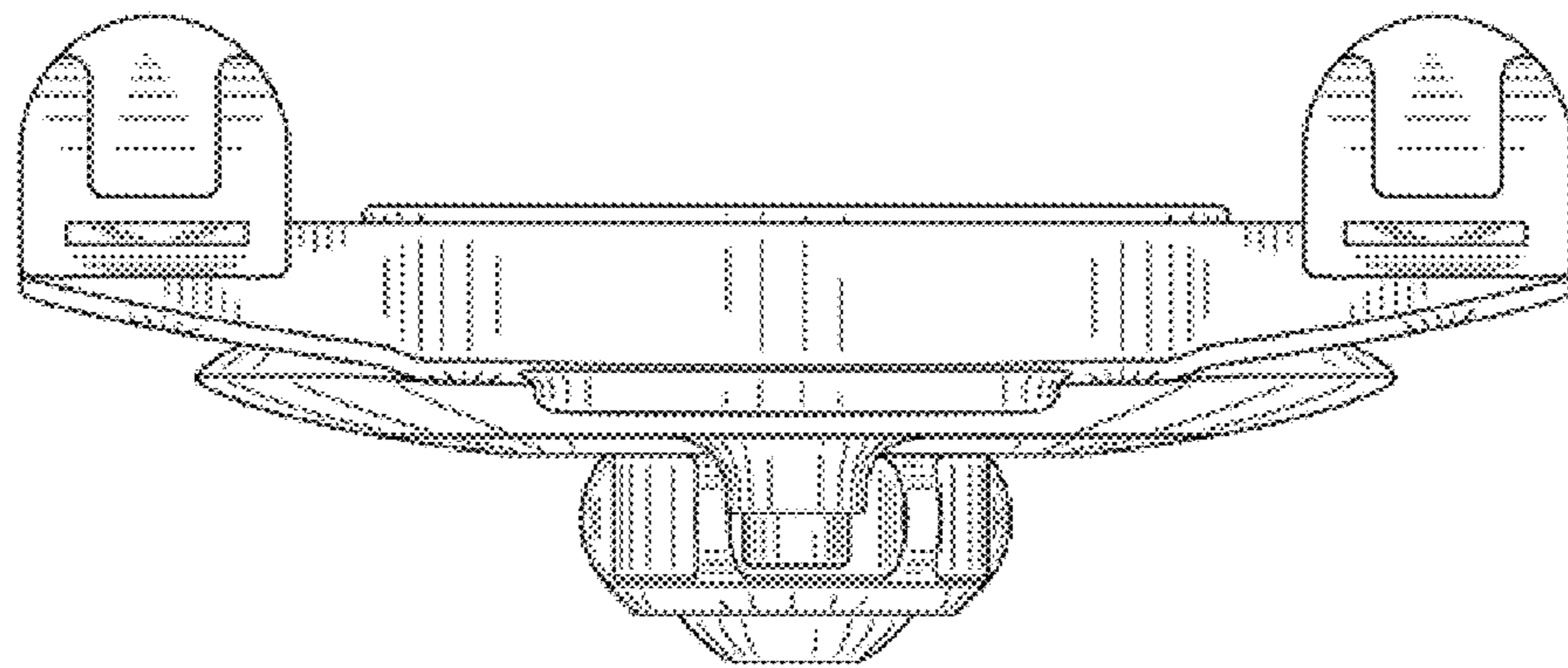


FIG. 7

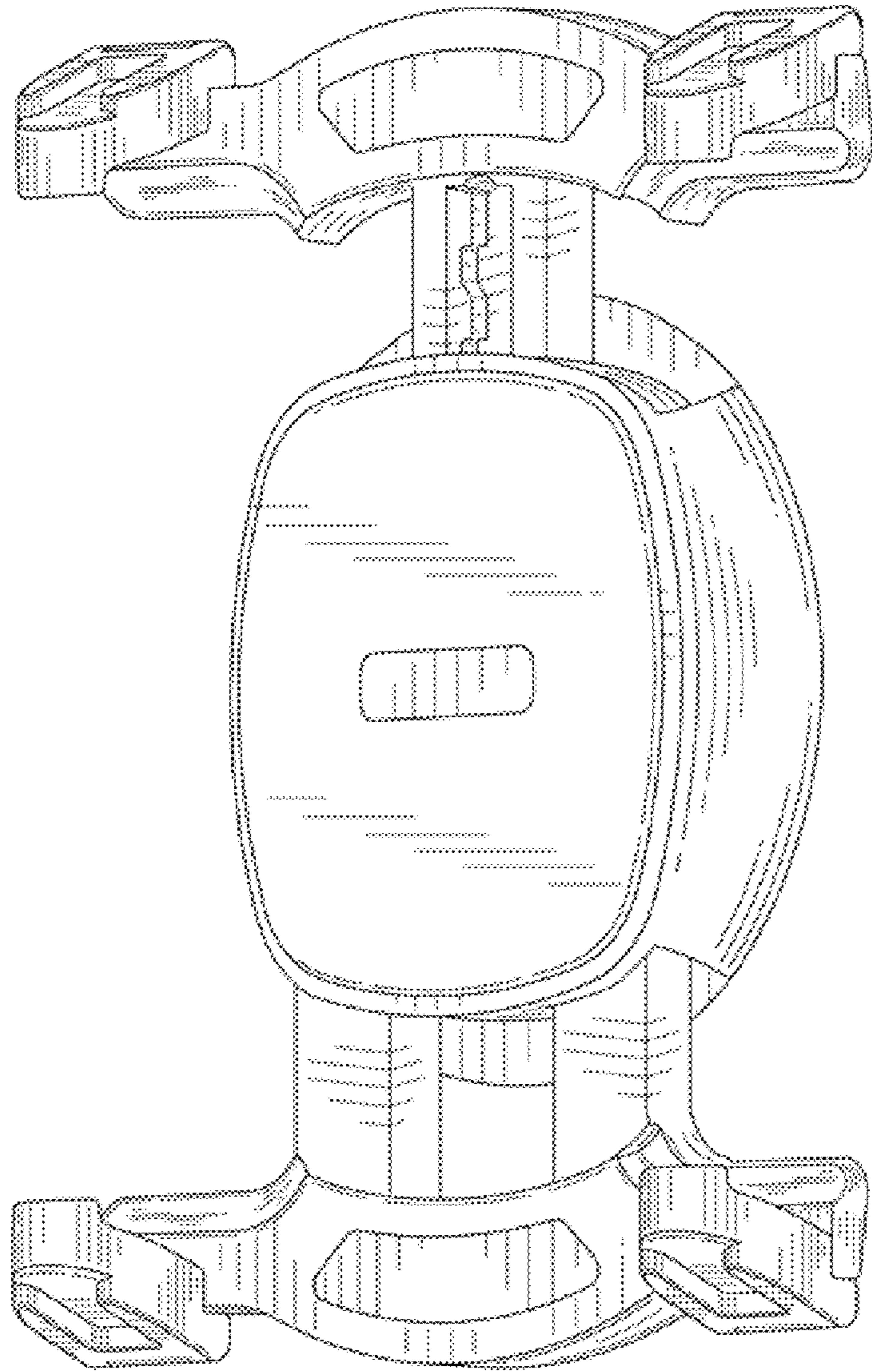


FIG.8