



US00D742383S

(12) **United States Design Patent**  
**Zheng et al.**

(10) **Patent No.:** **US D742,383 S**

(45) **Date of Patent:** **\*\* Nov. 3, 2015**

(54) **DOCKING STATION**

(71) Applicant: **Microsoft Corporation**, Redmond, WA (US)

(72) Inventors: **Michael Zheng**, Shenzhen (CN); **Ralf Groene**, Kirkland, WA (US); **Jan Raken**, Seattle, WA (US); **Young Soo Kim**, Seattle, WA (US)

(73) Assignee: **Microsoft Corporation**, Redmond, WA (US)

(\*\*) Term: **14 Years**

(21) Appl. No.: **29/491,231**

(22) Filed: **May 19, 2014**

(51) **LOC (10) Cl.** ..... **14-02**

(52) **U.S. Cl.**  
USPC ..... **D14/434**

(58) **Field of Classification Search**  
USPC ..... D14/432-434, 314, 204, 420, 421, 447, D14/217, 358, 138 R, 140, 142, 253; D13/107, 108, 146; D8/373; 248/346.03, 176.1; 361/679.41, 361/679.31, 679.32, 679.4, 679.43, 679.55, 361/679.58, 679.33; 320/107, 109, 320/112-115; 710/15, 303; 455/557; 439/347, 534  
CPC ..... H02J 7/0042; H02J 7/00; H01R 31/065; H01M 10/44; F16M 11/10

See application file for complete search history.

(56) **References Cited**

U.S. PATENT DOCUMENTS

5,619,397	A *	4/1997	Honda et al. ....	361/679.43
5,933,812	A *	8/1999	Meyer et al. ....	705/15
D455,087	S *	4/2002	Bayer et al. ....	D10/72
D477,604	S	7/2003	Lin	
D523,847	S	6/2006	Naruki	
7,200,702	B2 *	4/2007	Keely et al. ....	710/303
D552,611	S	10/2007	Hagiwara et al.	
7,515,408	B2 *	4/2009	Bakker et al. ....	361/679.55
D598,453	S	8/2009	Solomon et al.	
7,708,240	B2 *	5/2010	Homer et al. ....	248/130
D673,156	S	12/2012	Detemple	
D673,567	S *	1/2013	Yang .....	D14/434
D676,447	S	2/2013	Detemple	
D676,832	S	2/2013	Akana et al.	
D685,793	S	7/2013	Taniho et al.	

\* cited by examiner

*Primary Examiner* — Freda S Nunn

(74) *Attorney, Agent, or Firm* — Banner & Witcoff, Ltd.

(57) **CLAIM**

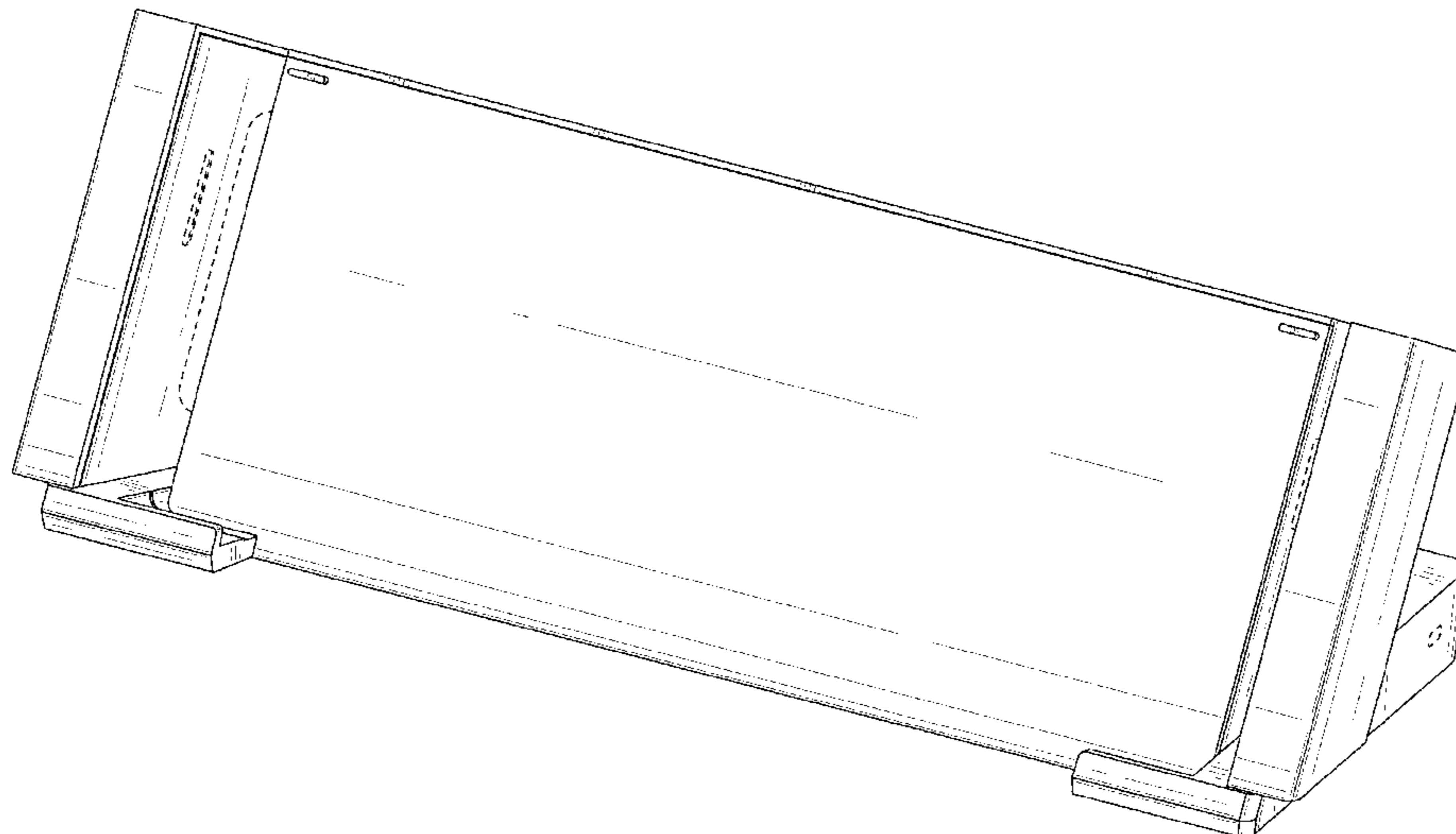
The ornamental design for a docking station, as shown and described.

**DESCRIPTION**

FIG. 1 is a front isometric view of a docking station showing our new design;  
FIG. 2 is a front view thereof;  
FIG. 3 is a rear view thereof;  
FIG. 4 is a right side view thereof;  
FIG. 5 is a left side view thereof;  
FIG. 6 is a top view thereof; and,  
FIG. 7 is bottom view thereof.

The broken line showing of various features of the docking station are for environmental purposes only and form no part of the claimed design.

**1 Claim, 6 Drawing Sheets**



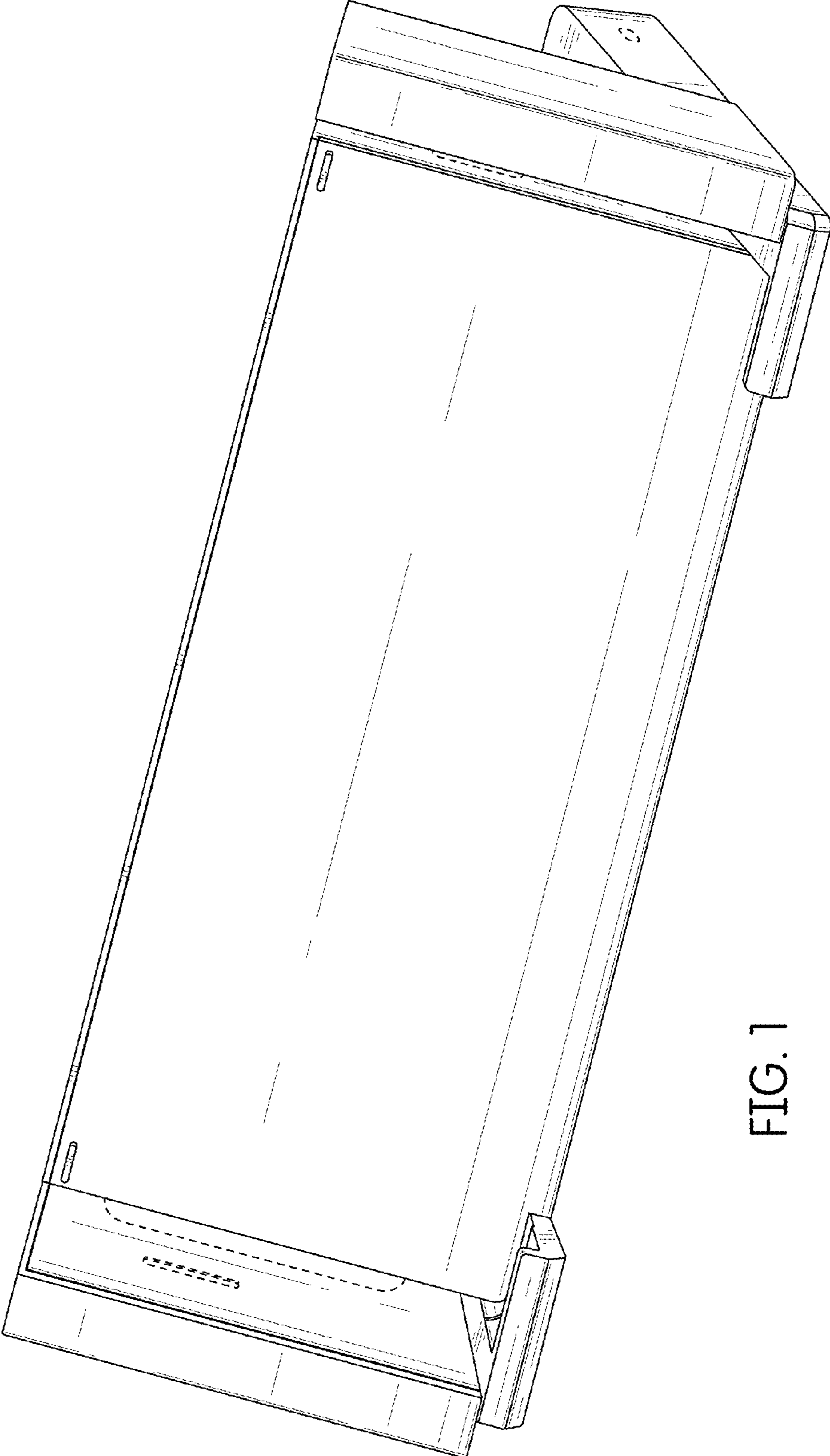


FIG. 1

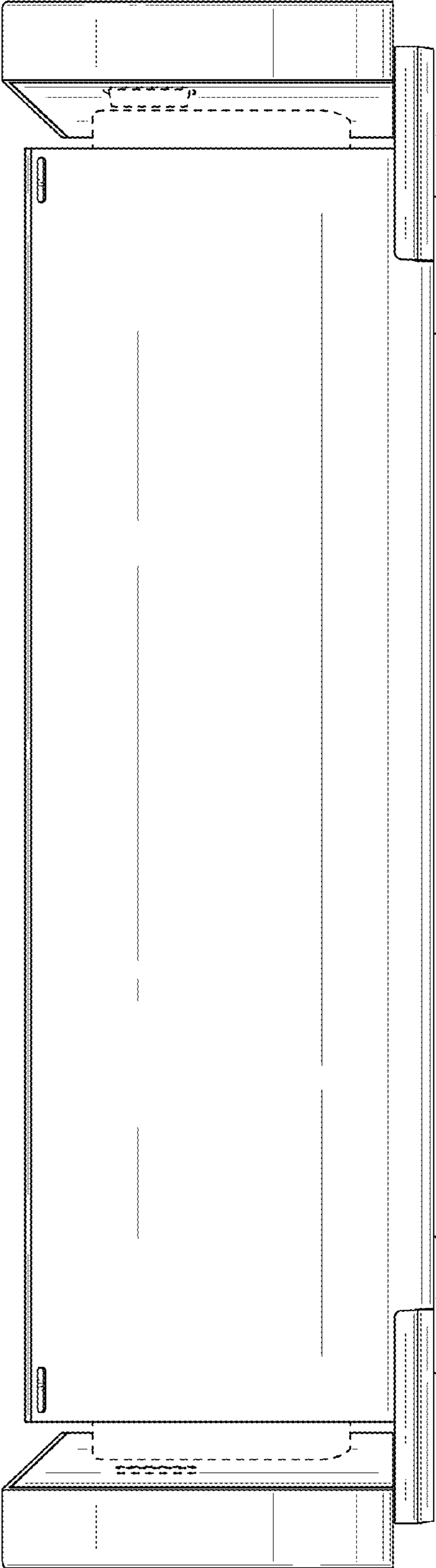


FIG. 2

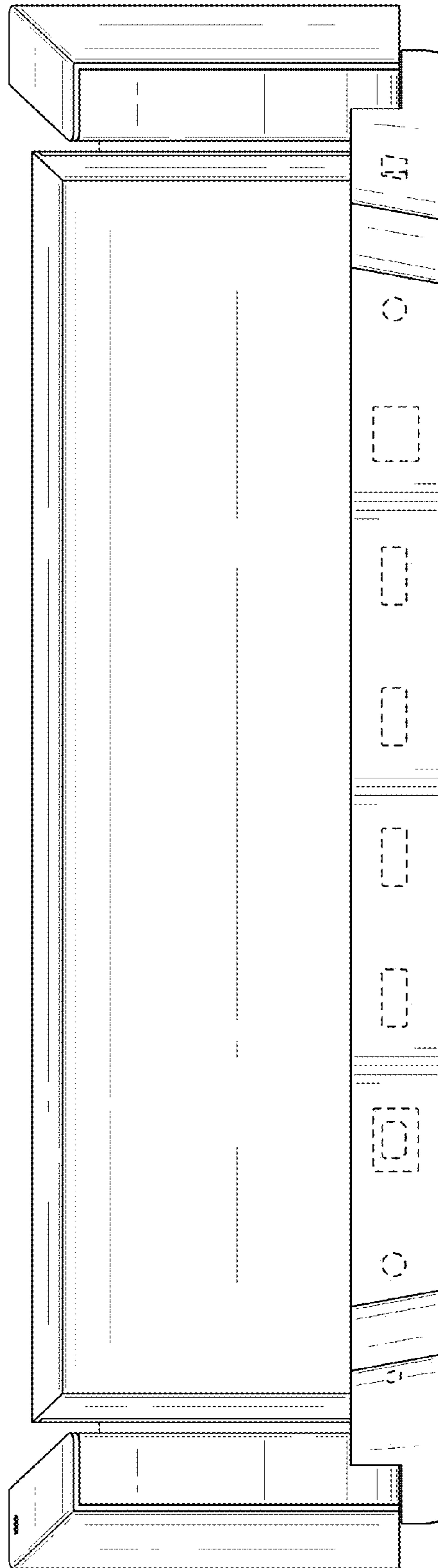


FIG. 3

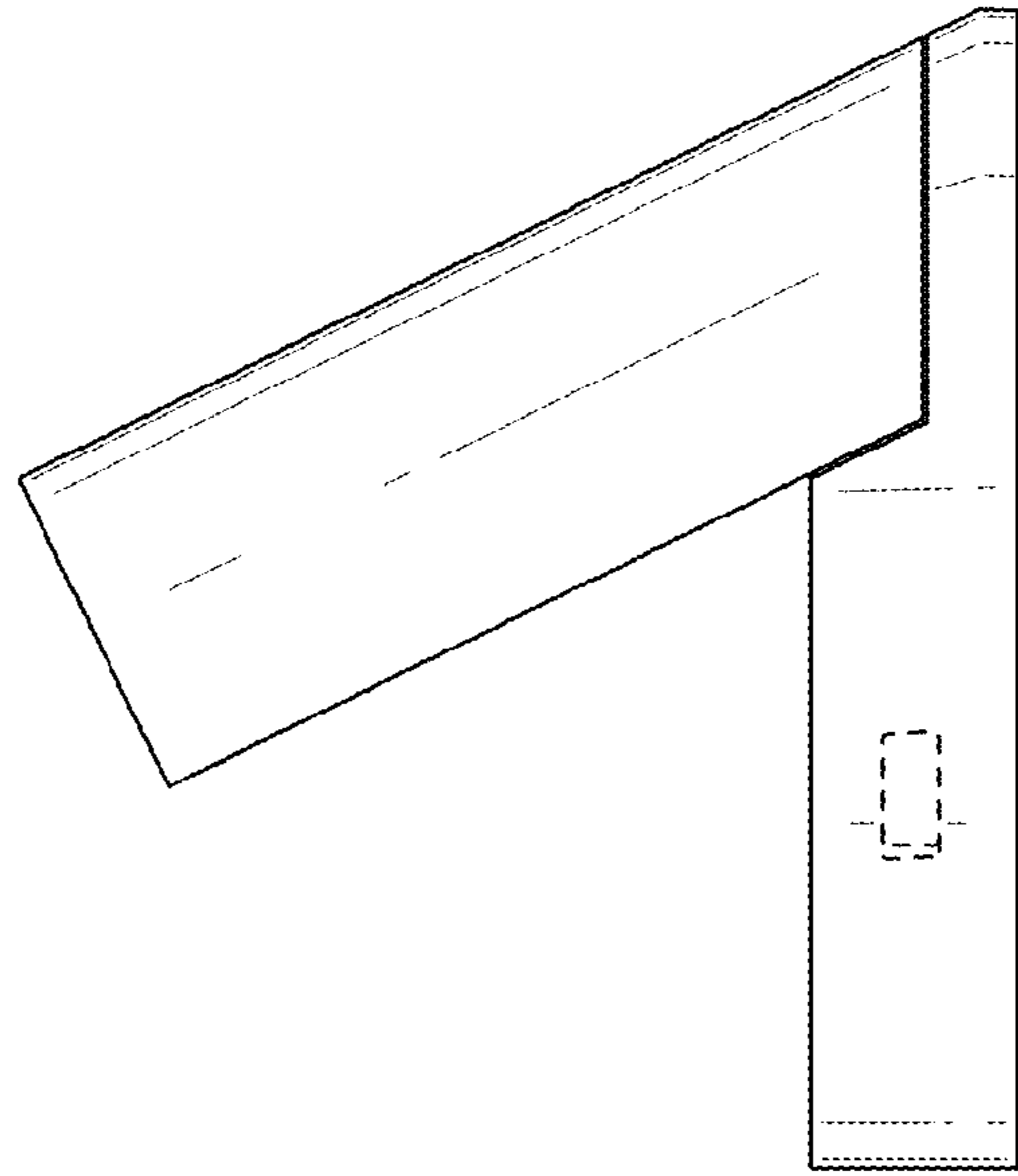


FIG. 5

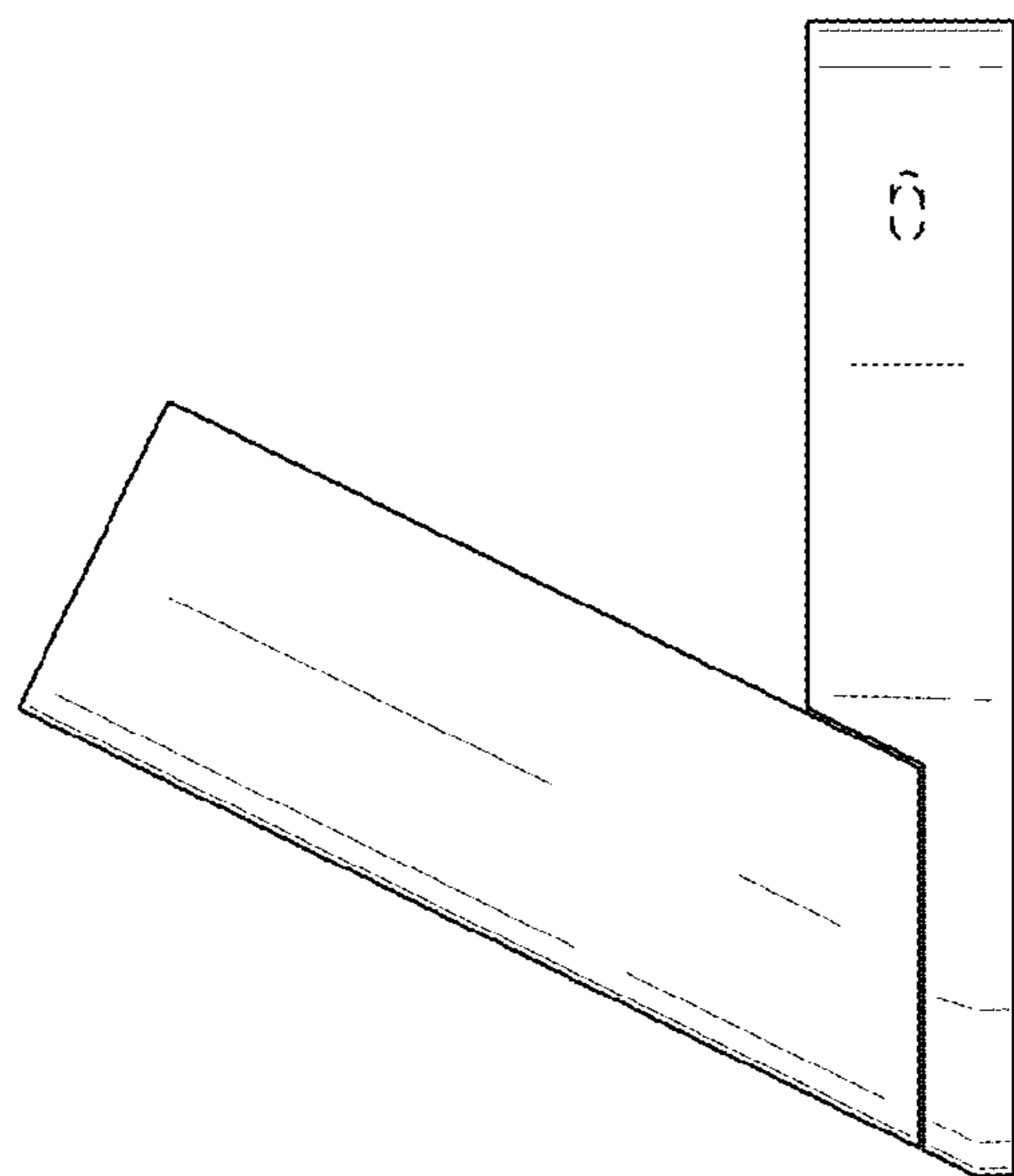


FIG. 4

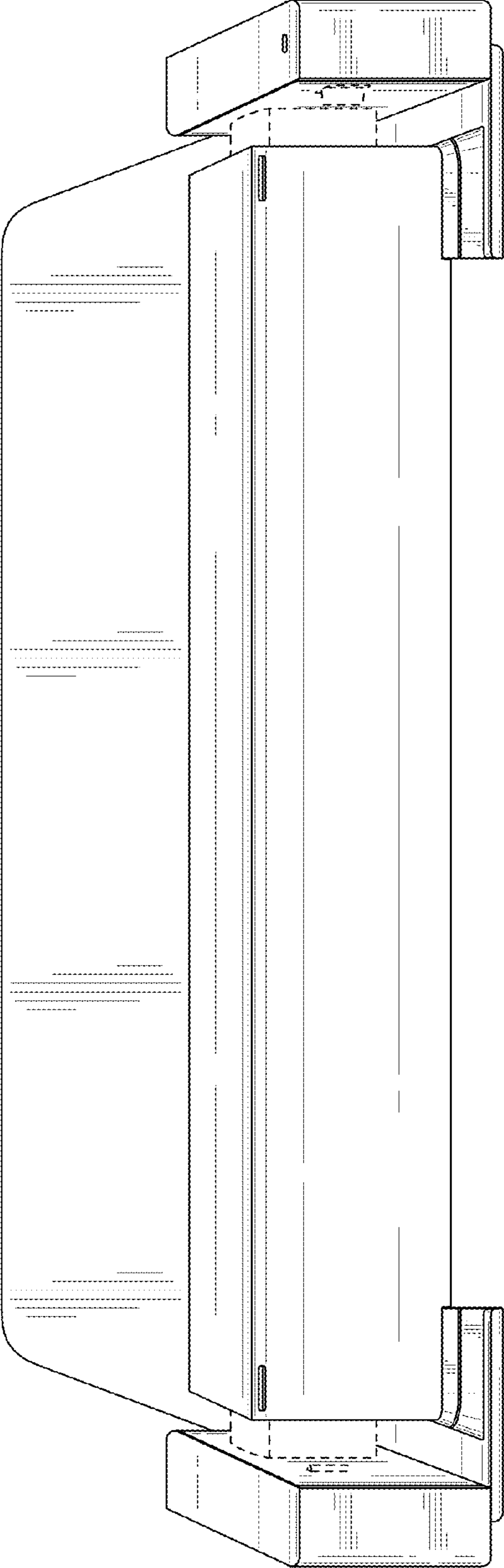


FIG. 6



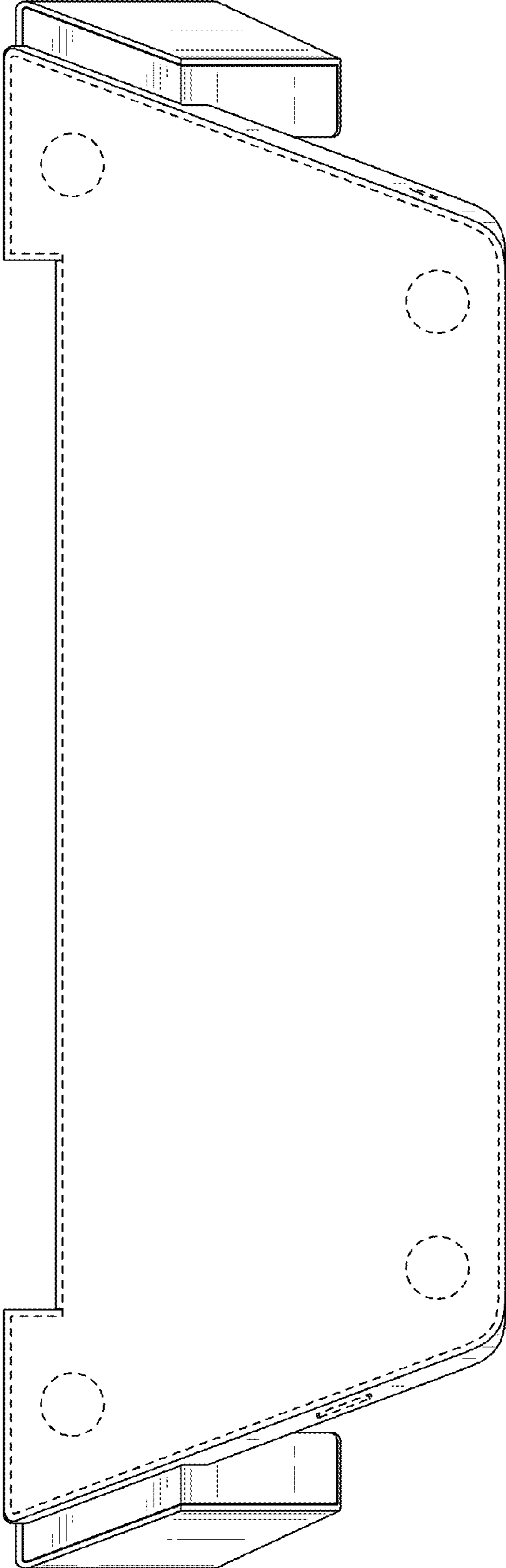


FIG. 7