



US00D742379S

(12) **United States Design Patent**  
**Haidar et al.**

(10) **Patent No.:** **US D742,379 S**

(45) **Date of Patent:** **\*\* Nov. 3, 2015**

(54) **ON BOARD DIAGNOSTICS VEHICLE INFORMATION SYSTEM**

(71) Applicants: **Mahmoud Haidar**, Dallas, TX (US);  
**Scott Clifton Harper**, Dallas, TX (US);  
**Powell McVay Kinney**, Dallas, TX (US);  
**Steven Troy Ray**, Dallas, TX (US);  
**Romeo Espana**, Dallas, TX (US)

(72) Inventors: **Mahmoud Haidar**, Dallas, TX (US);  
**Scott Clifton Harper**, Dallas, TX (US);  
**Powell McVay Kinney**, Dallas, TX (US);  
**Steven Troy Ray**, Dallas, TX (US);  
**Romeo Espana**, Dallas, TX (US)

(\*\*) Term: **14 Years**

(21) Appl. No.: **29/501,657**

(22) Filed: **Sep. 5, 2014**

(51) **LOC (10) Cl.** ..... **14-02**

(52) **U.S. Cl.**  
USPC ..... **D14/383**

(58) **Field of Classification Search**  
USPC ..... D14/302-307, 900-902, 336, 371, 383;  
D13/163; D20/10; D18/4.1, 4.4, 4.6;  
D99/28; 194/206; 361/679.01, 679.02,  
361/679.04, 679.21, 679.57, 725; 235/386,  
235/51; 705/12  
CPC ..... H04N 21/43632; H04N 7/24; H04N  
21/2146; H04N 21/4122; H04N 21/4126;  
H04N 21/41422

See application file for complete search history.

(56) **References Cited**

U.S. PATENT DOCUMENTS

D469,761 S *	2/2003	Nussberger .....	D14/341
D477,815 S *	7/2003	Gillingham et al. ....	D13/184
D516,068 S *	2/2006	Walter .....	D14/383
D584,730 S *	1/2009	Lin et al. ....	D14/383
D648,844 S *	11/2011	Nelson et al. ....	D24/107
D668,251 S *	10/2012	Morrell .....	D14/383
D703,205 S *	4/2014	Tamura et al. ....	D14/383
D729,800 S *	5/2015	Kitano et al. ....	D14/383

\* cited by examiner

*Primary Examiner* — Austin Murphy

(74) *Attorney, Agent, or Firm* — K&L Gates LLP

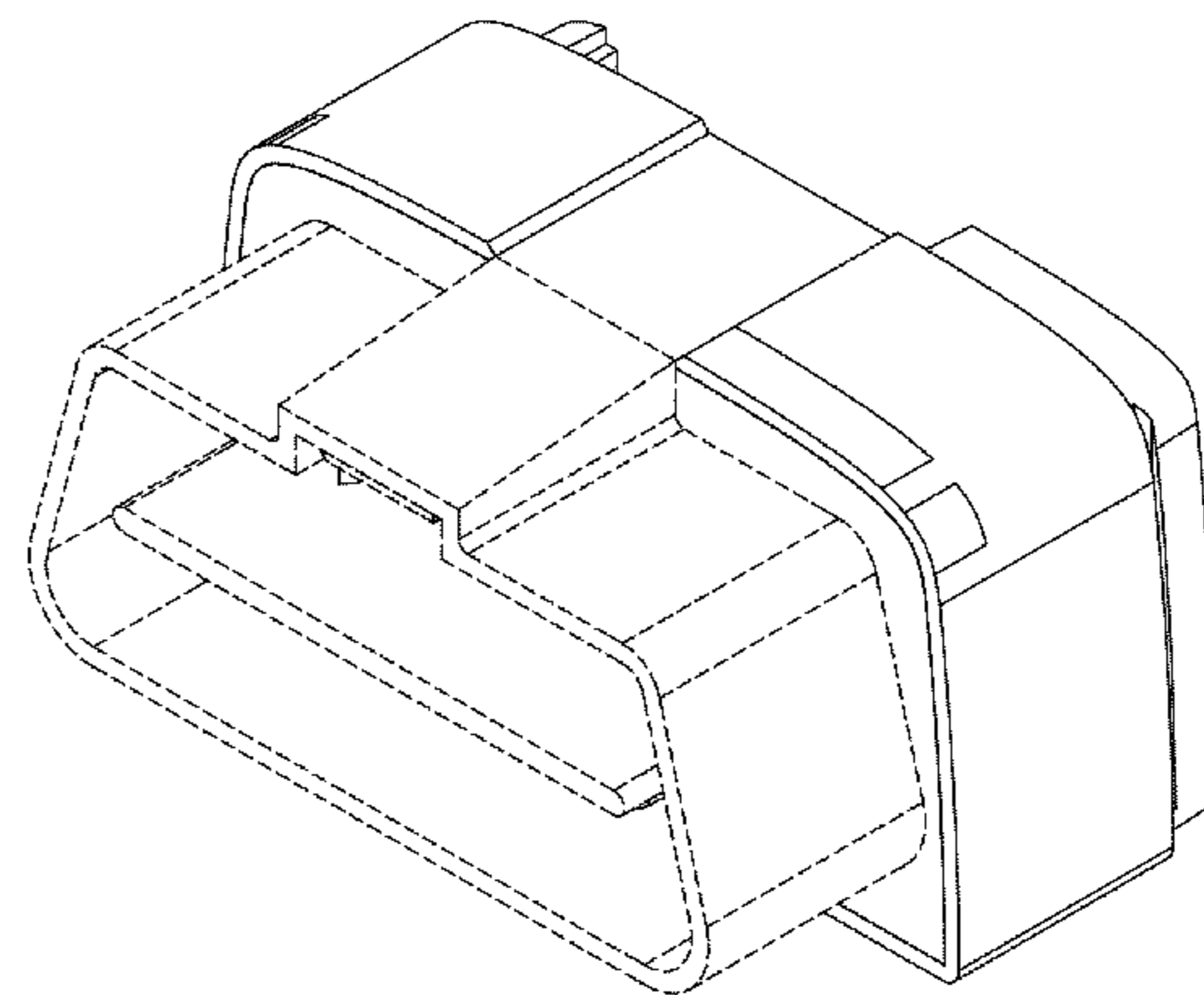
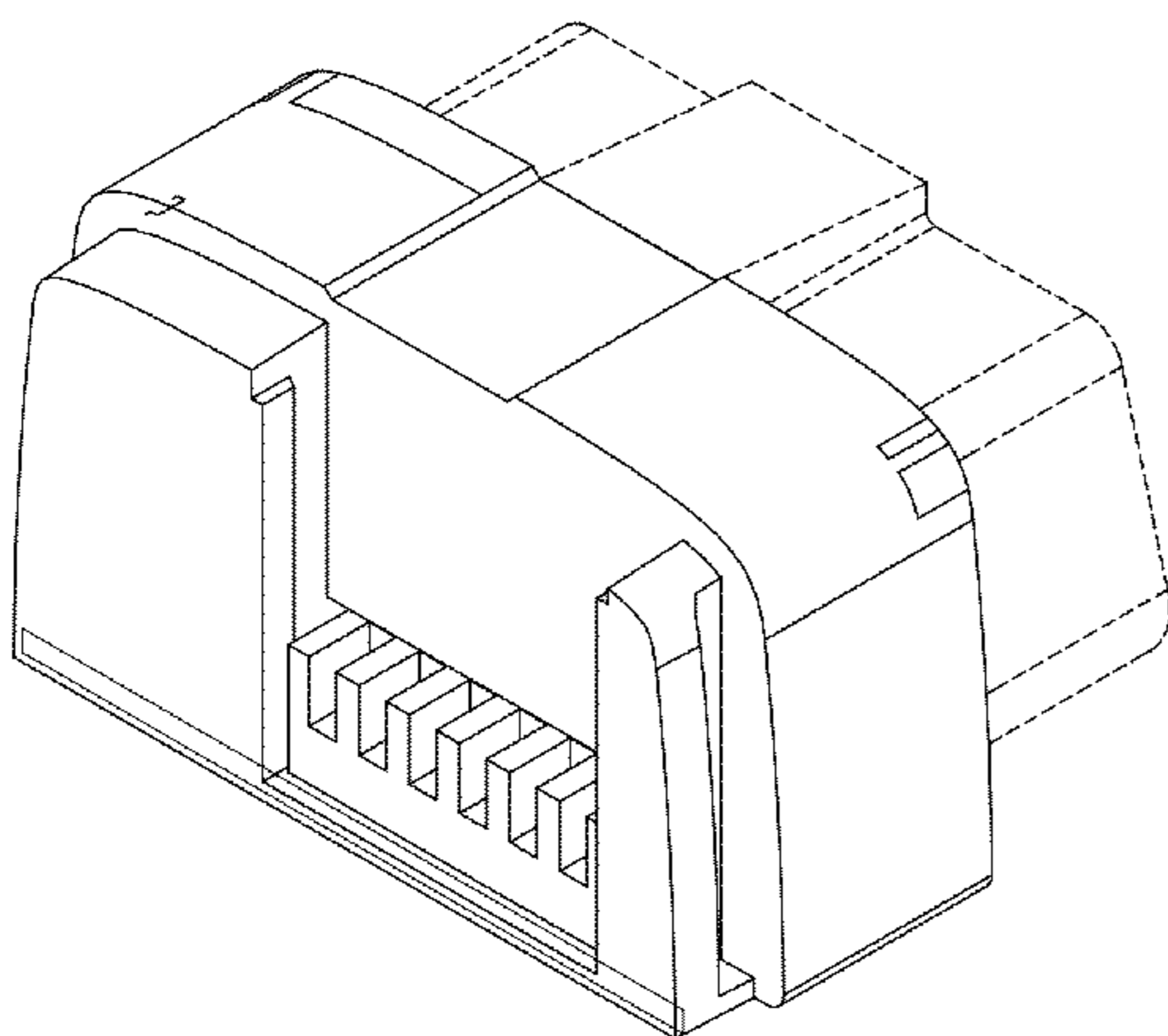
(57) **CLAIM**

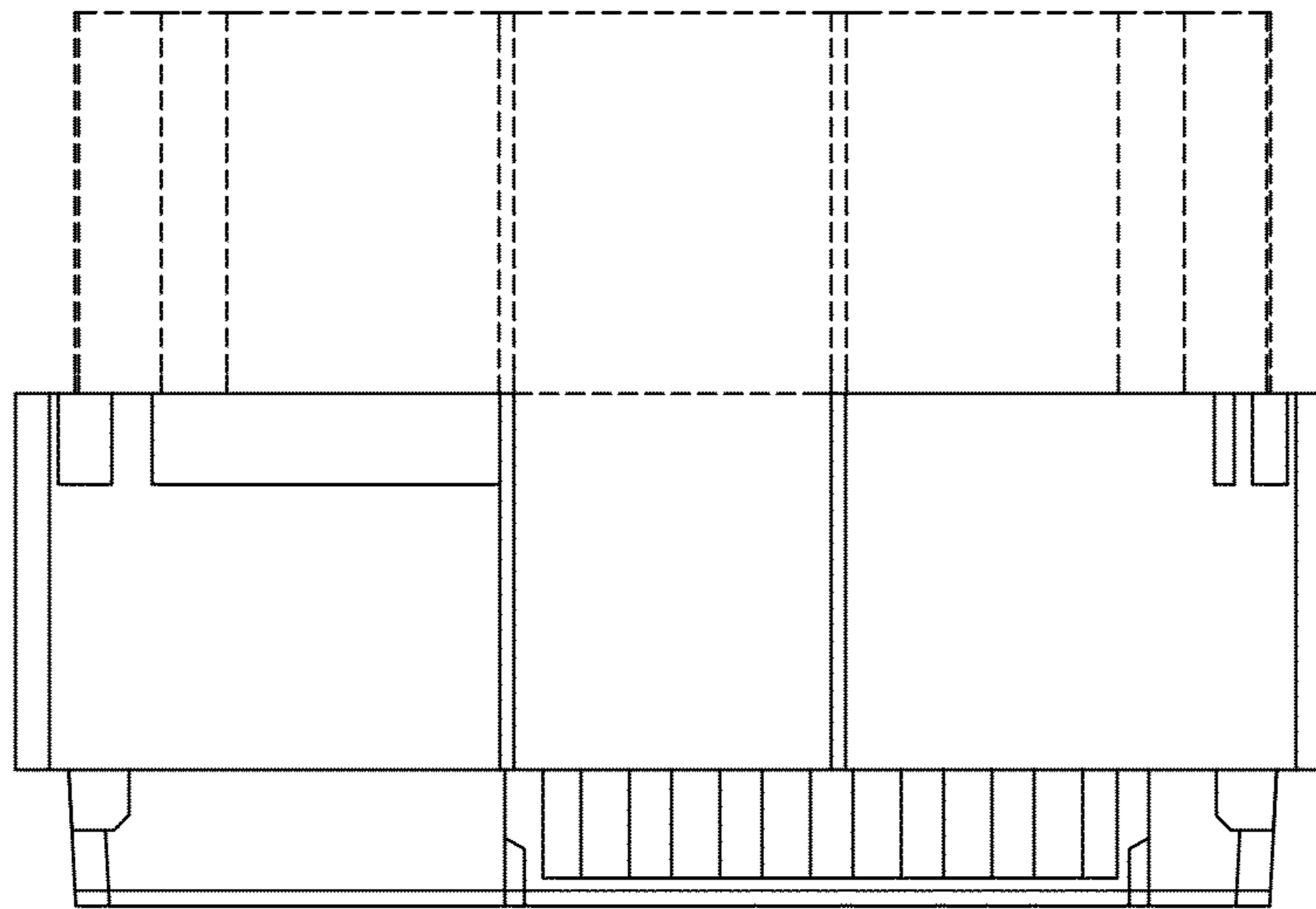
The ornamental design for an on board diagnostics vehicle information system, as shown and described.

**DESCRIPTION**

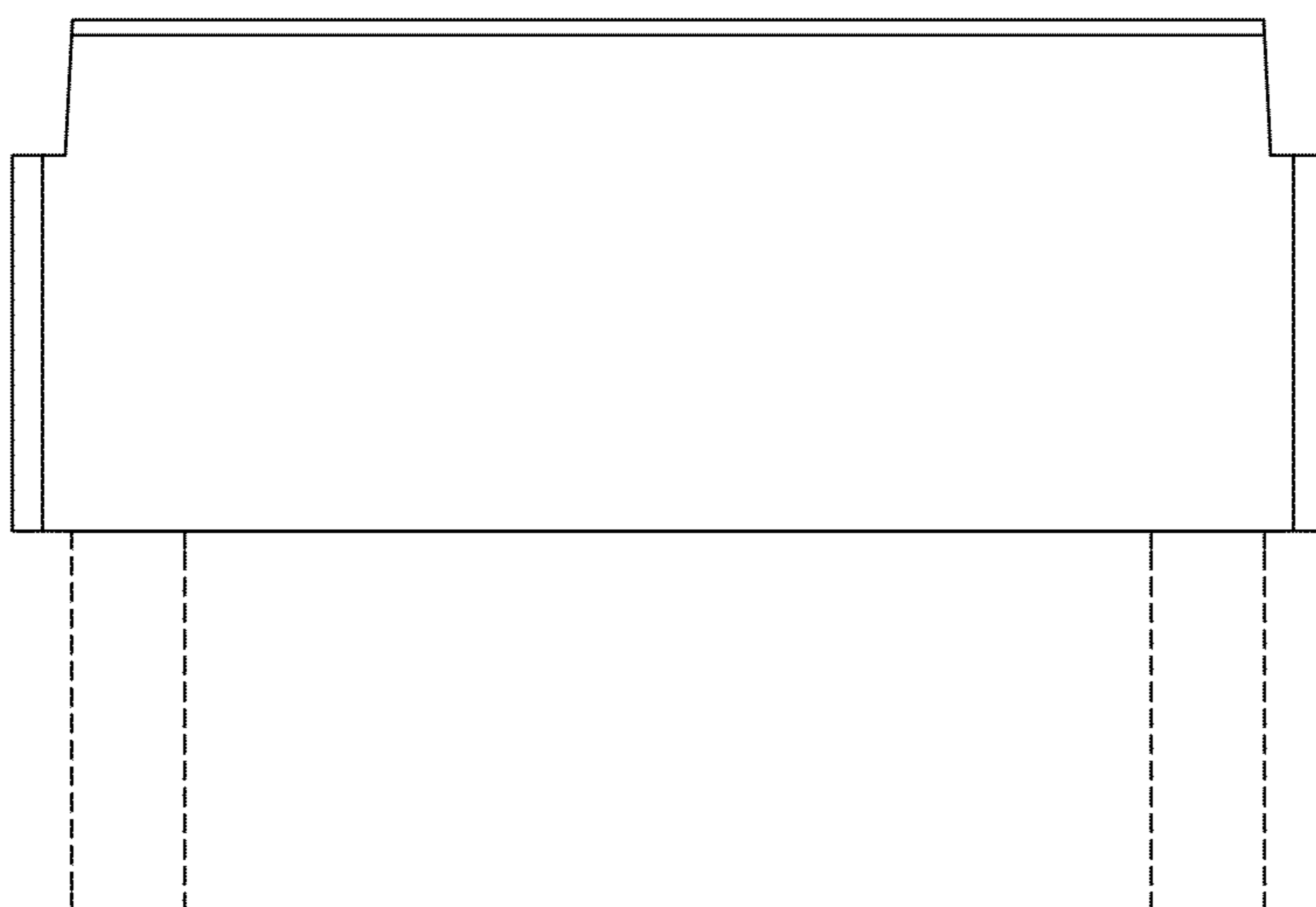
FIG. 1 is a top view of an on board diagnostics vehicle information system of the instant invention;  
FIG. 2 is a bottom view thereof;  
FIG. 3 is a left view thereof;  
FIG. 4 is a right view thereof;  
FIG. 5 is a front view thereof;  
FIG. 6 is a rear view thereof;  
FIG. 7 is a top front perspective view thereof; and,  
FIG. 8 is a top rear perspective view thereof.  
The broken lines are for illustrative purposes only and form no part of the claimed design.

**1 Claim, 8 Drawing Sheets**

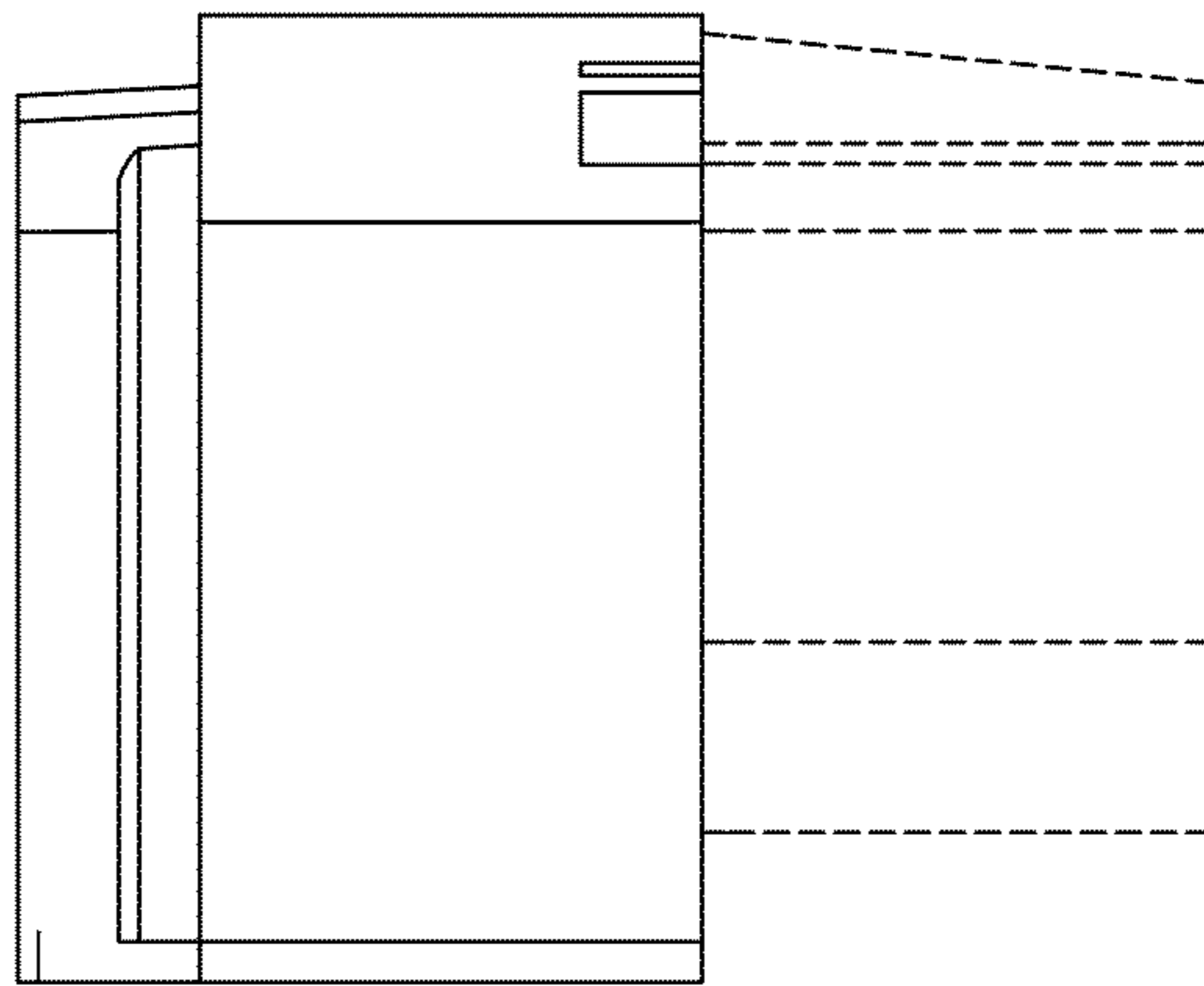




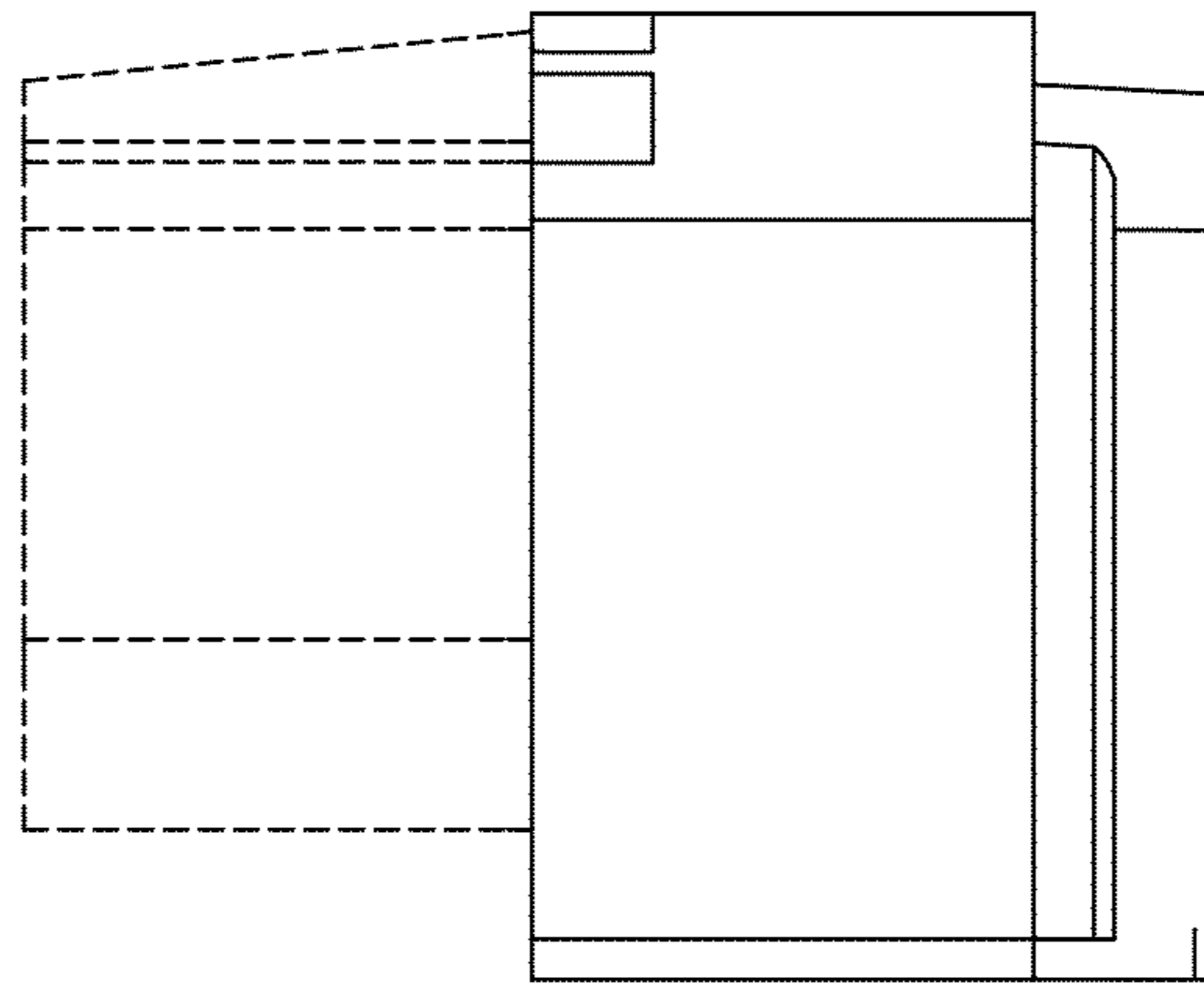
*Fig. 1*



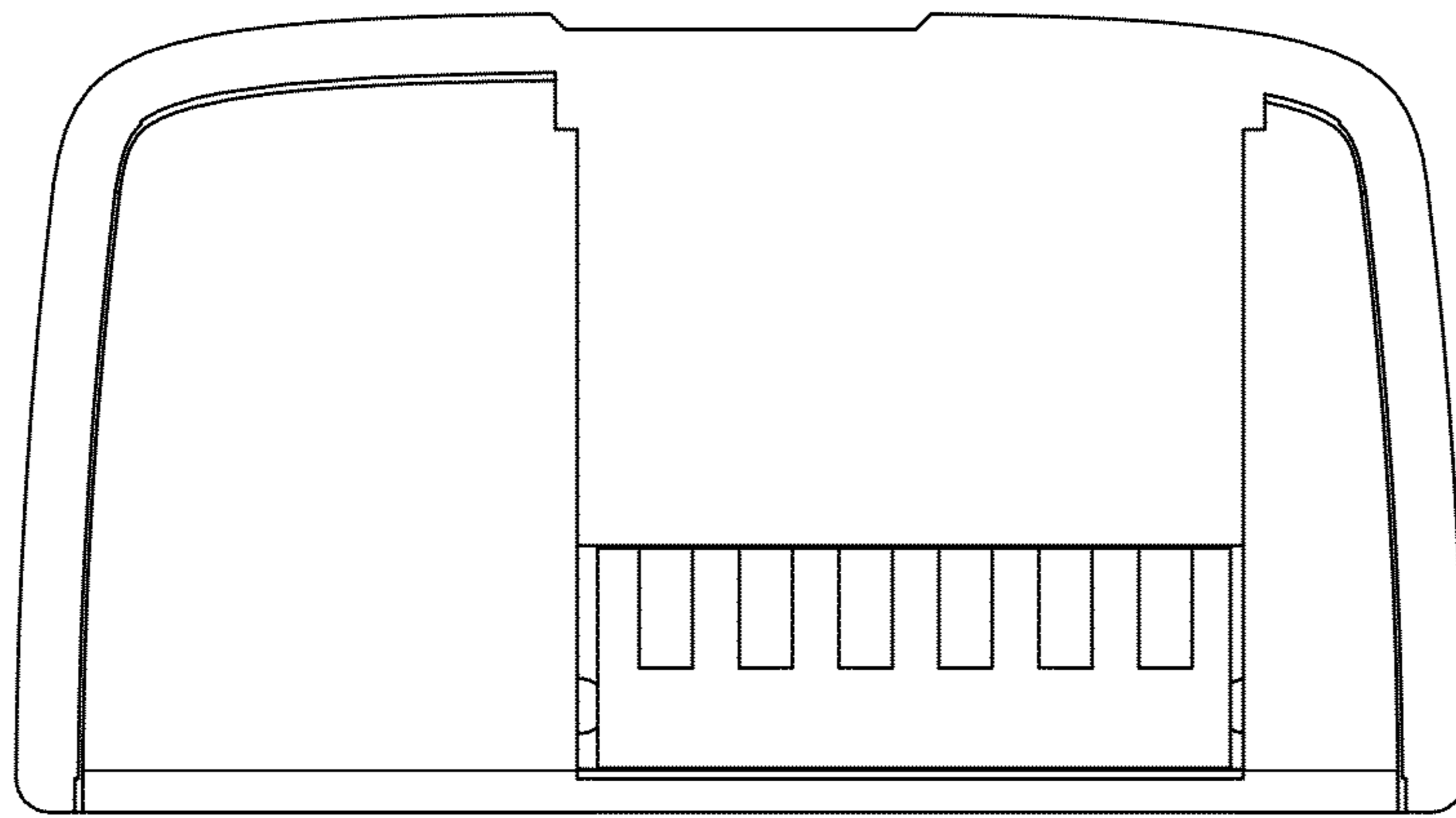
*Fig. 2*



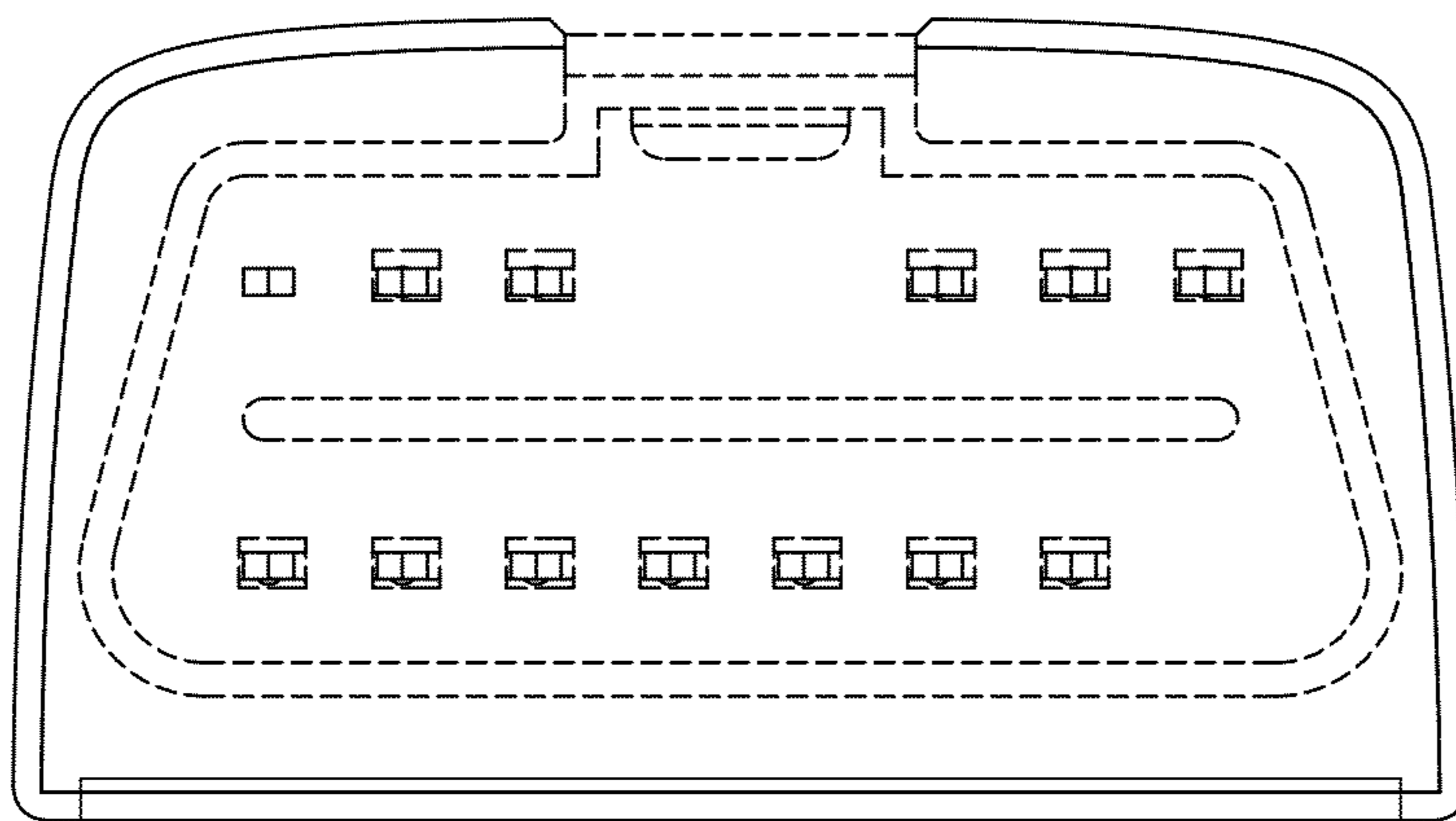
*Fig. 3*



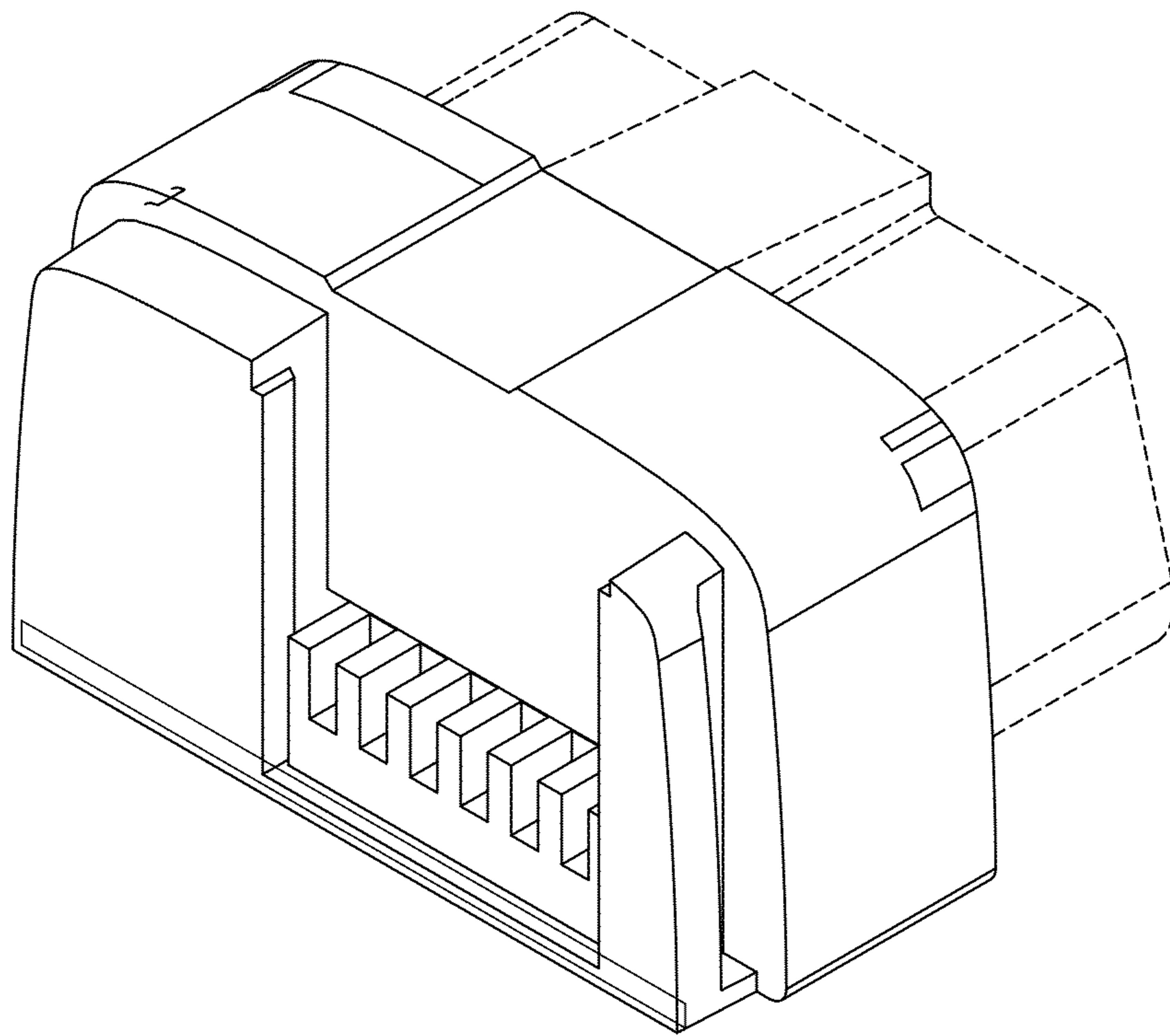
*Fig. 4*



*Fig. 5*

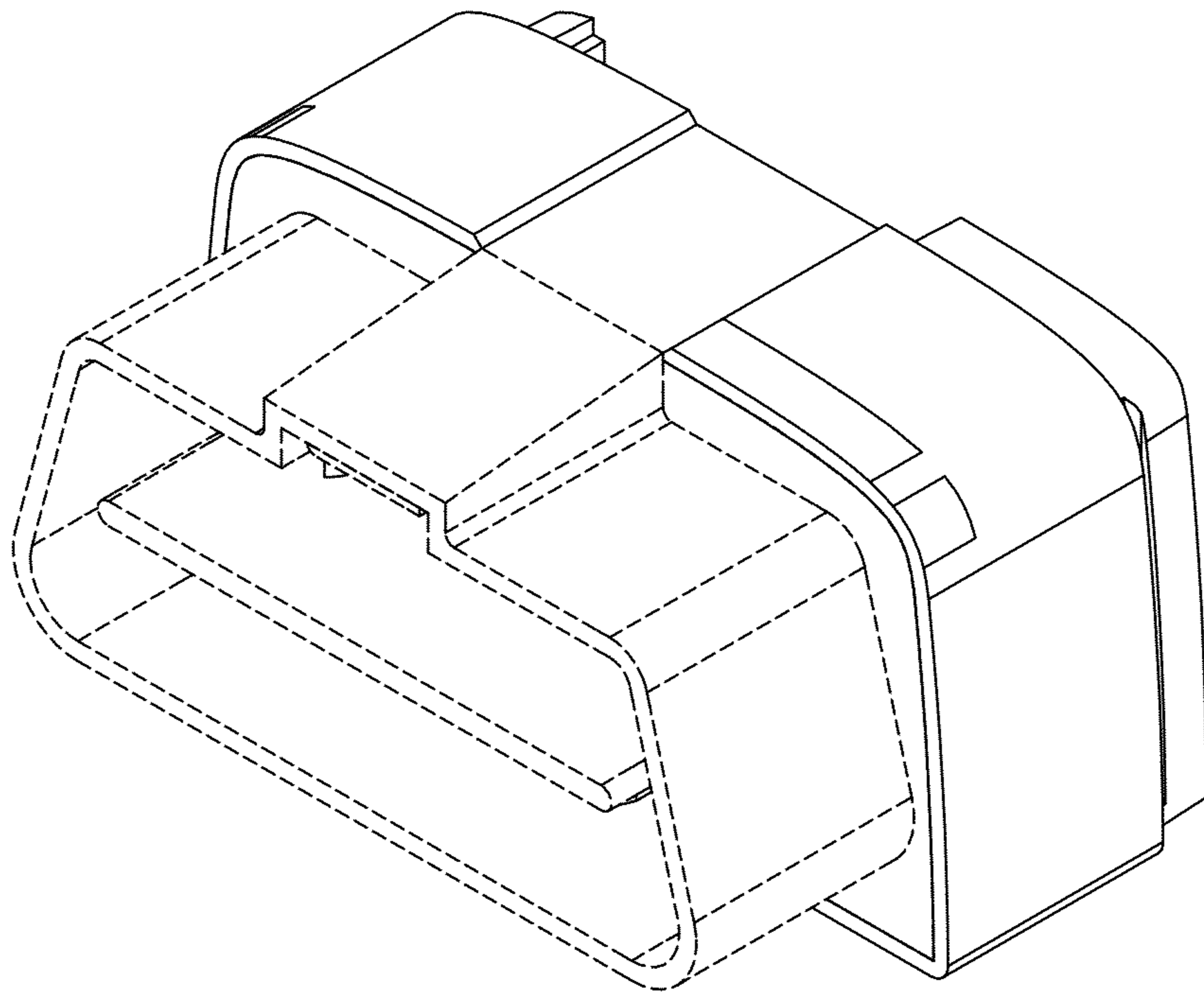


*Fig. 6*



*Fig. 7*





*Fig. 8*