



US00D742375S

(12) **United States Design Patent**
Kang et al.

(10) **Patent No.:** **US D742,375 S**

(45) **Date of Patent:** **** Nov. 3, 2015**

(54) **MONITOR**

(71) Applicant: **LG Electronics Inc.**, Seoul (KR)

(72) Inventors: **Seokkyu Kang**, Seoul (KR); **Sanghyeun Son**, Incheon (KR); **Ilsoo Yeom**, Seoul (KR); **Younghun Jang**, Seoul (KR); **Hongyoul Choi**, Gyeonggi-do (KR)

(73) Assignee: **LG Electronics Inc.**, Seoul (KR)

(**) Term: **14 Years**

(21) Appl. No.: **29/490,824**

(22) Filed: **May 14, 2014**

(30) **Foreign Application Priority Data**

Nov. 18, 2013 (KR) 30-2013-0057944

(51) **LOC (10) Cl.** **14-02**

(52) **U.S. Cl.**
USPC **D14/371**; D14/126

(58) **Field of Classification Search**
USPC D14/371-375, 125-129, 336, 337, 341, D14/432-434; 341/12; 345/104, 156, 168, 345/173; 348/180, 184, 325, 739; 349/1, 2, 349/11, 62; 361/679.05-679.07, 679.21; D6/300, 308; D13/107, 108
CPC G06F 1/16; G06F 1/1601; G06F 3/037; G06F 1/162; H02J 7/0042; H02J 7/00; H01R 31/065; H01M 10/44; F16M 11/10

See application file for complete search history.

(56) **References Cited**

U.S. PATENT DOCUMENTS

D410,447 S * 6/1999 Chang D14/375
D578,087 S * 10/2008 Yokota D14/126
D631,042 S * 1/2011 Chen D14/337

* cited by examiner

Primary Examiner — Freda S Nunn

(74) *Attorney, Agent, or Firm* — Morgan, Lewis & Bockius LLP

(57) **CLAIM**

The ornamental design for a monitor, as shown and described.

DESCRIPTION

FIG. 1 is a perspective view of a monitor showing our new design;

FIG. 2 is a front view thereof;

FIG. 3 is a rear view thereof;

FIG. 4 is a left side view thereof;

FIG. 5 is a right side view thereof;

FIG. 6 is a top plan view thereof;

FIG. 7 is a bottom plan view thereof;

FIG. 8 is a perspective view thereof in a condition that a mobile phone has been docked; and,

FIG. 9 is a perspective view thereof showing the state that the mobile phone docking terminal part has been closed when the subject design is not in use.

The broken lines show unclaimed subject matter only and form no part of the claimed design. The dash-dot broken lines define the bounds of the claimed design and form no part thereof.

1 Claim, 9 Drawing Sheets

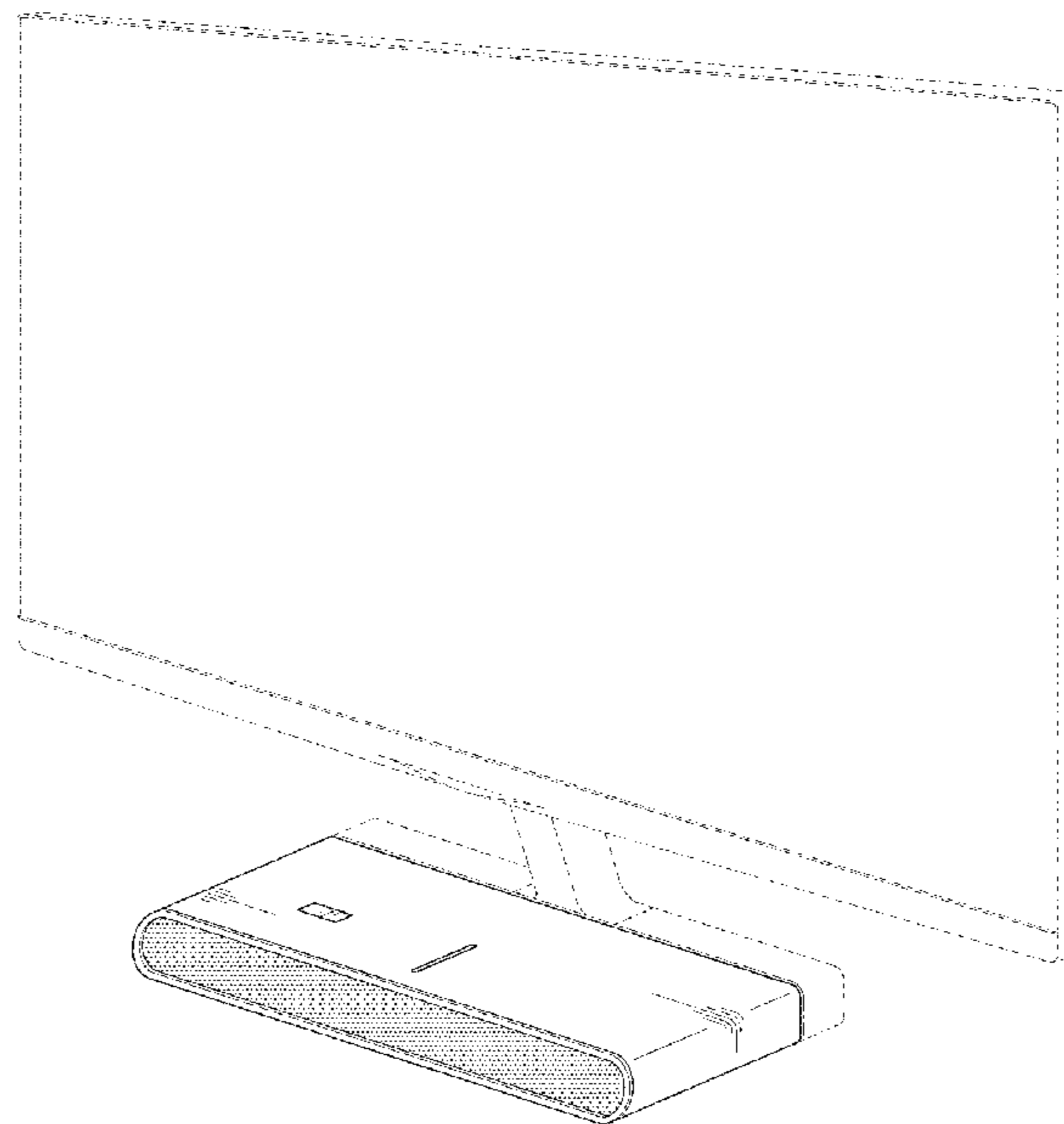


FIG. 1

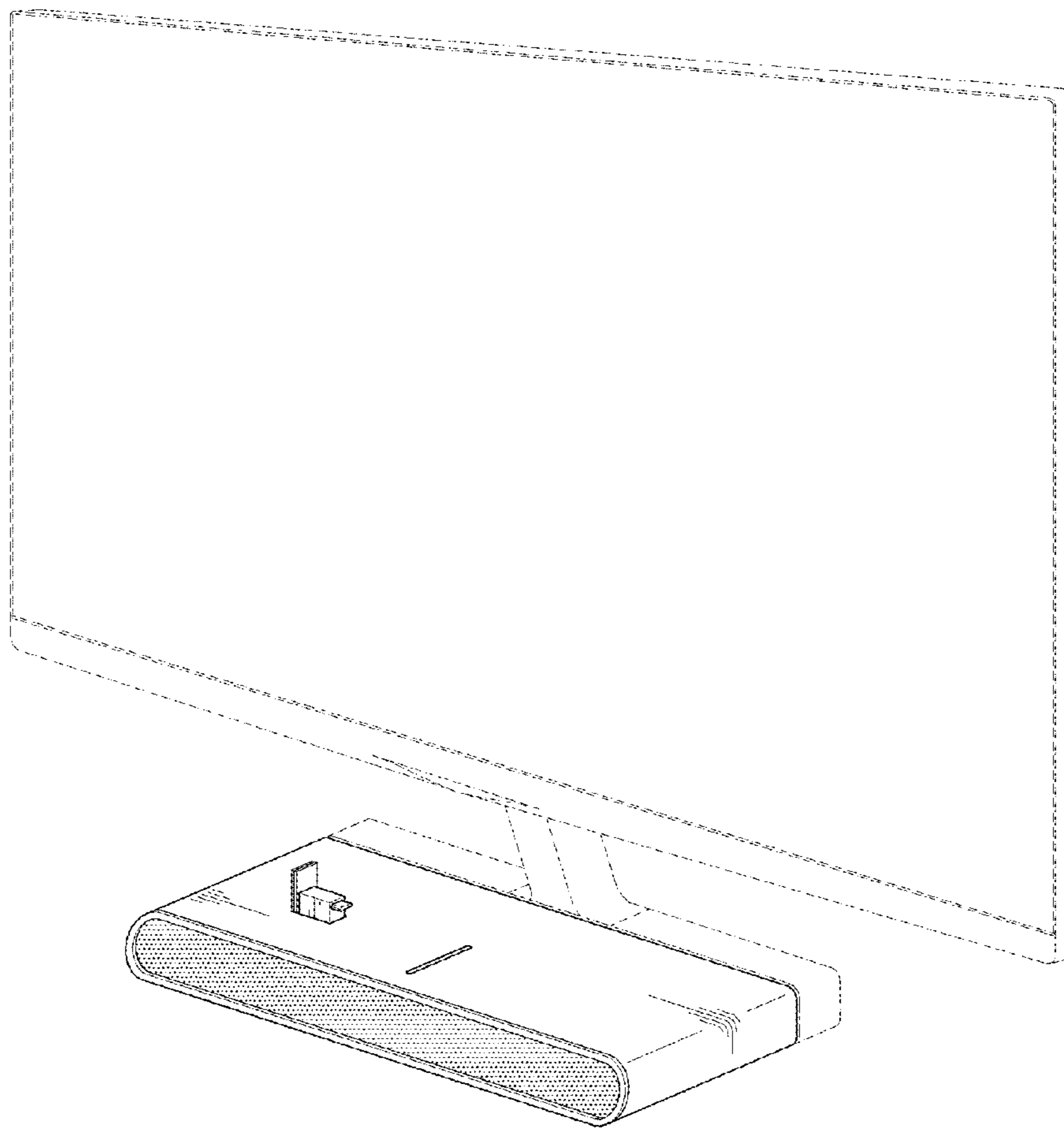


FIG. 2

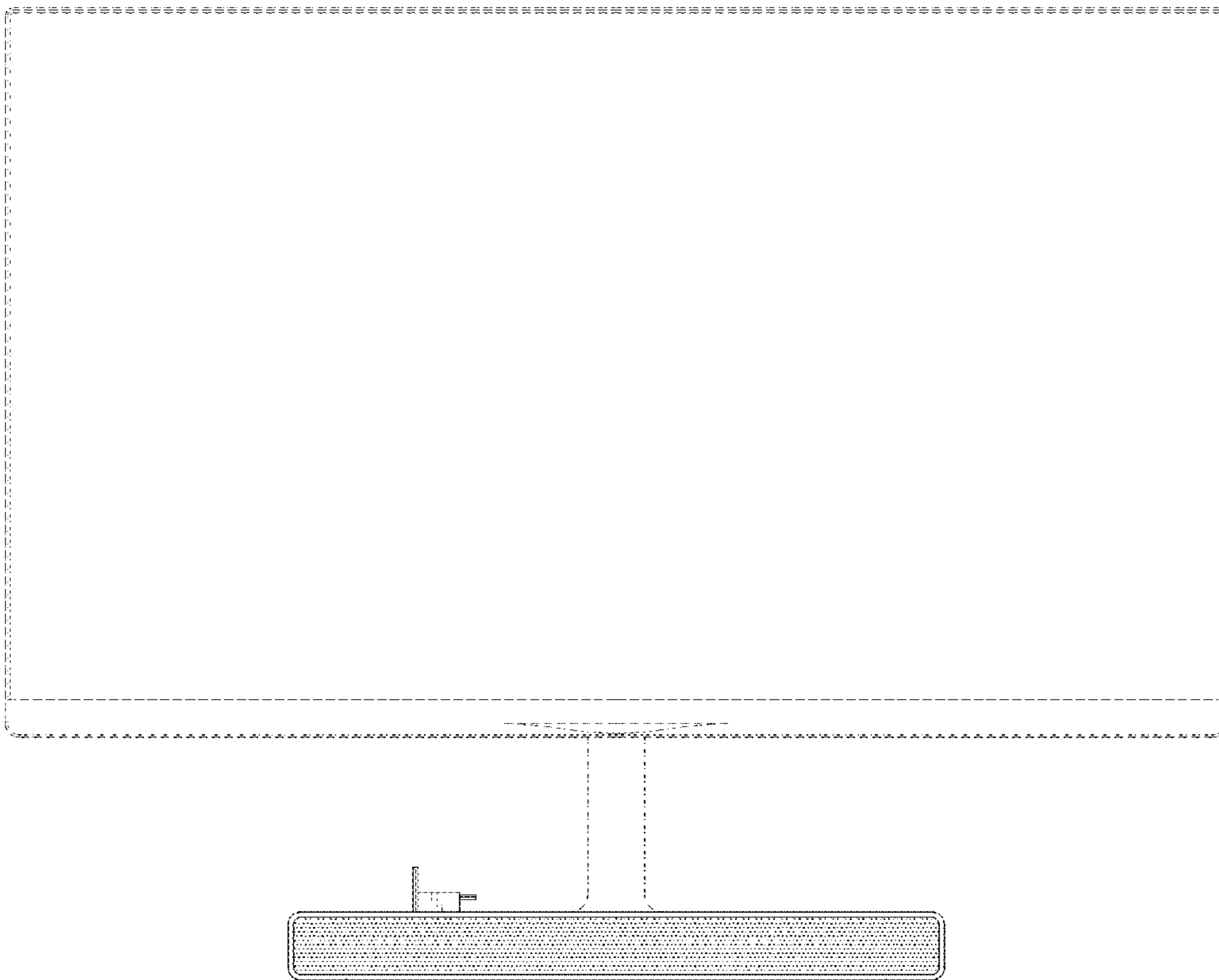


FIG. 3

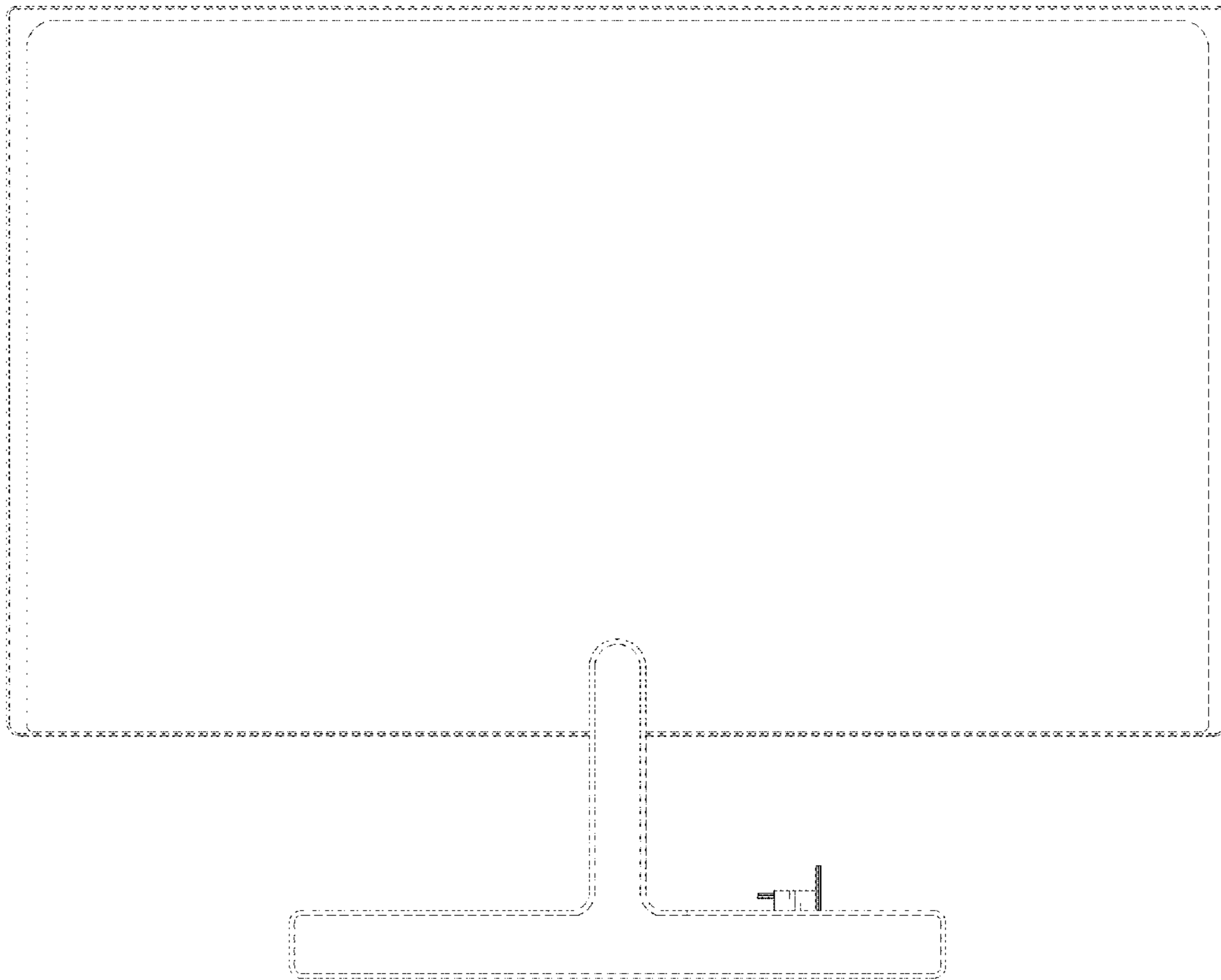


FIG. 4

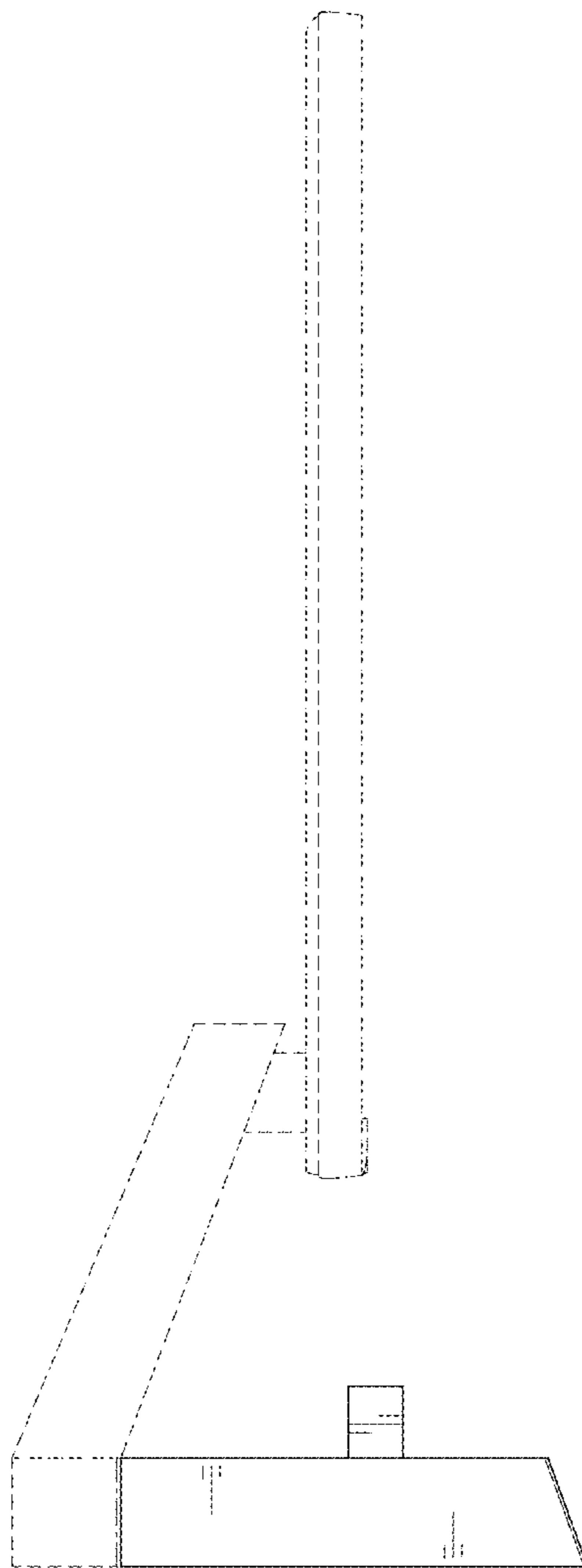


FIG. 5

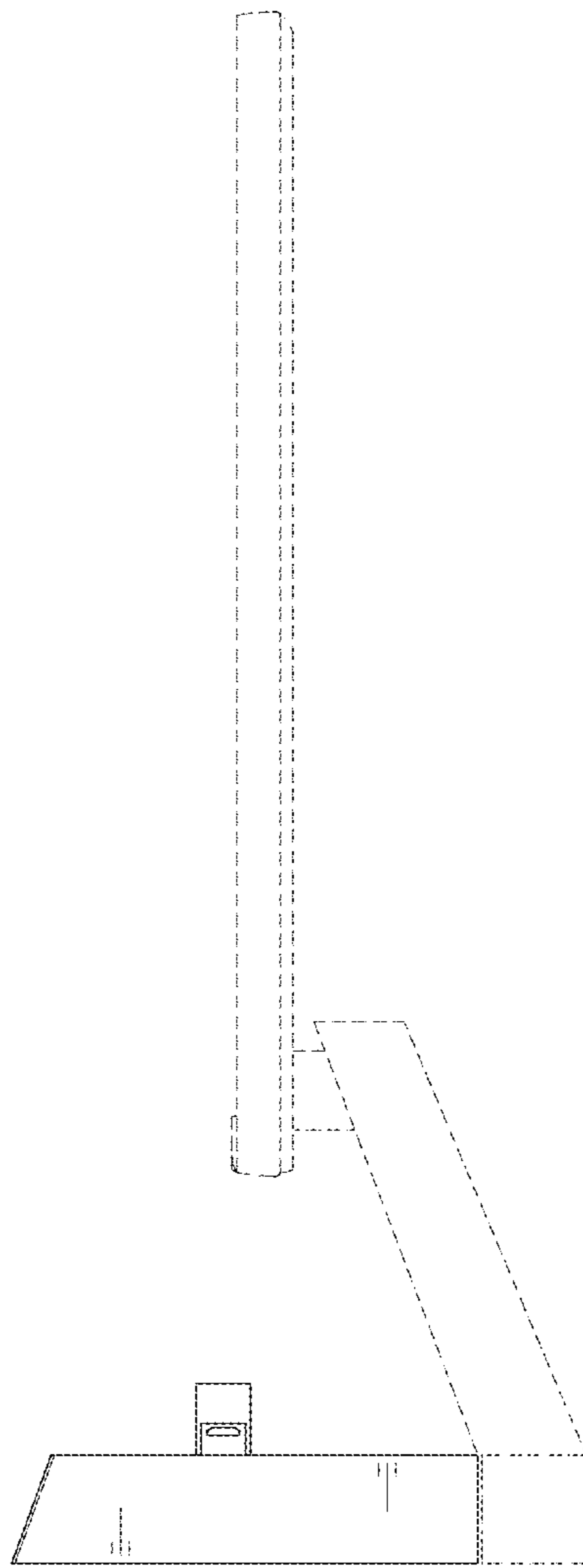


FIG. 6

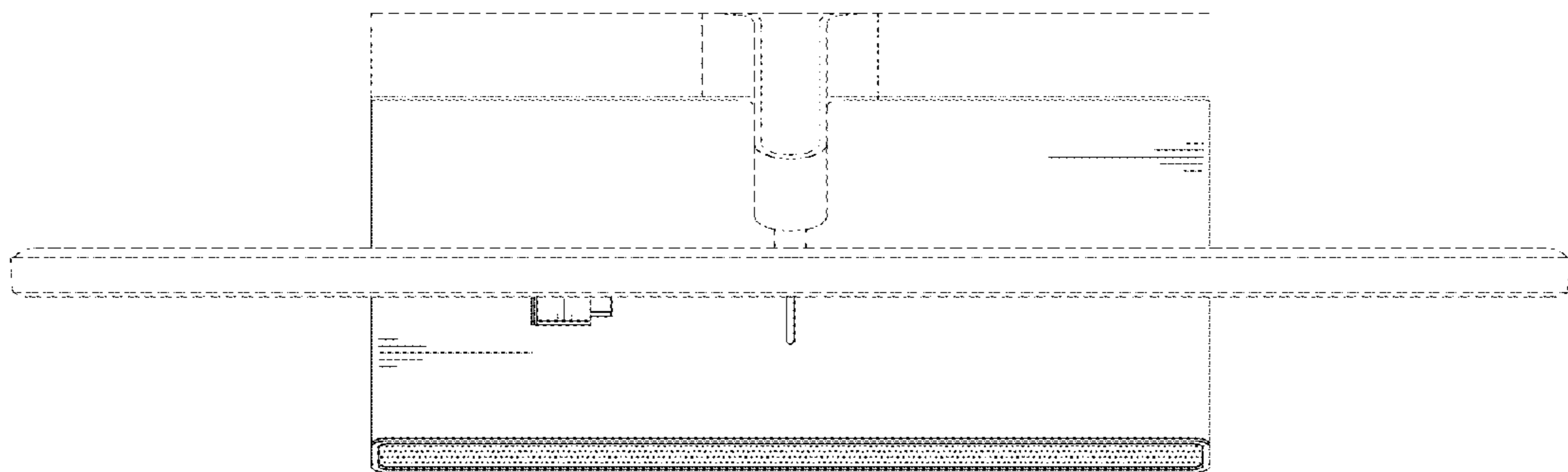


FIG. 7

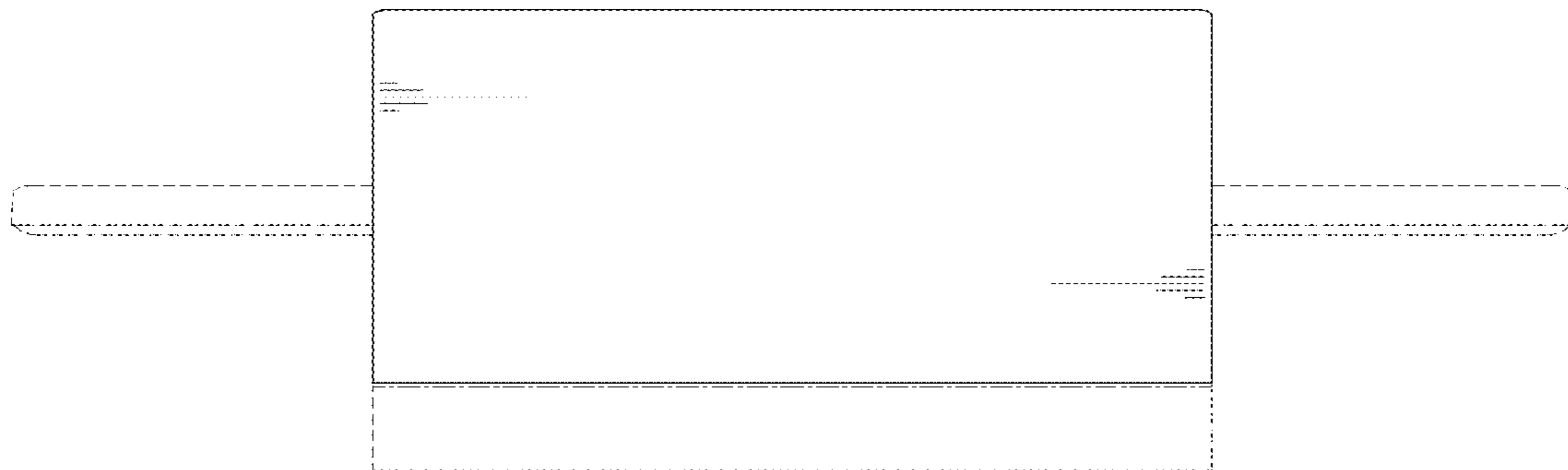


FIG. 8

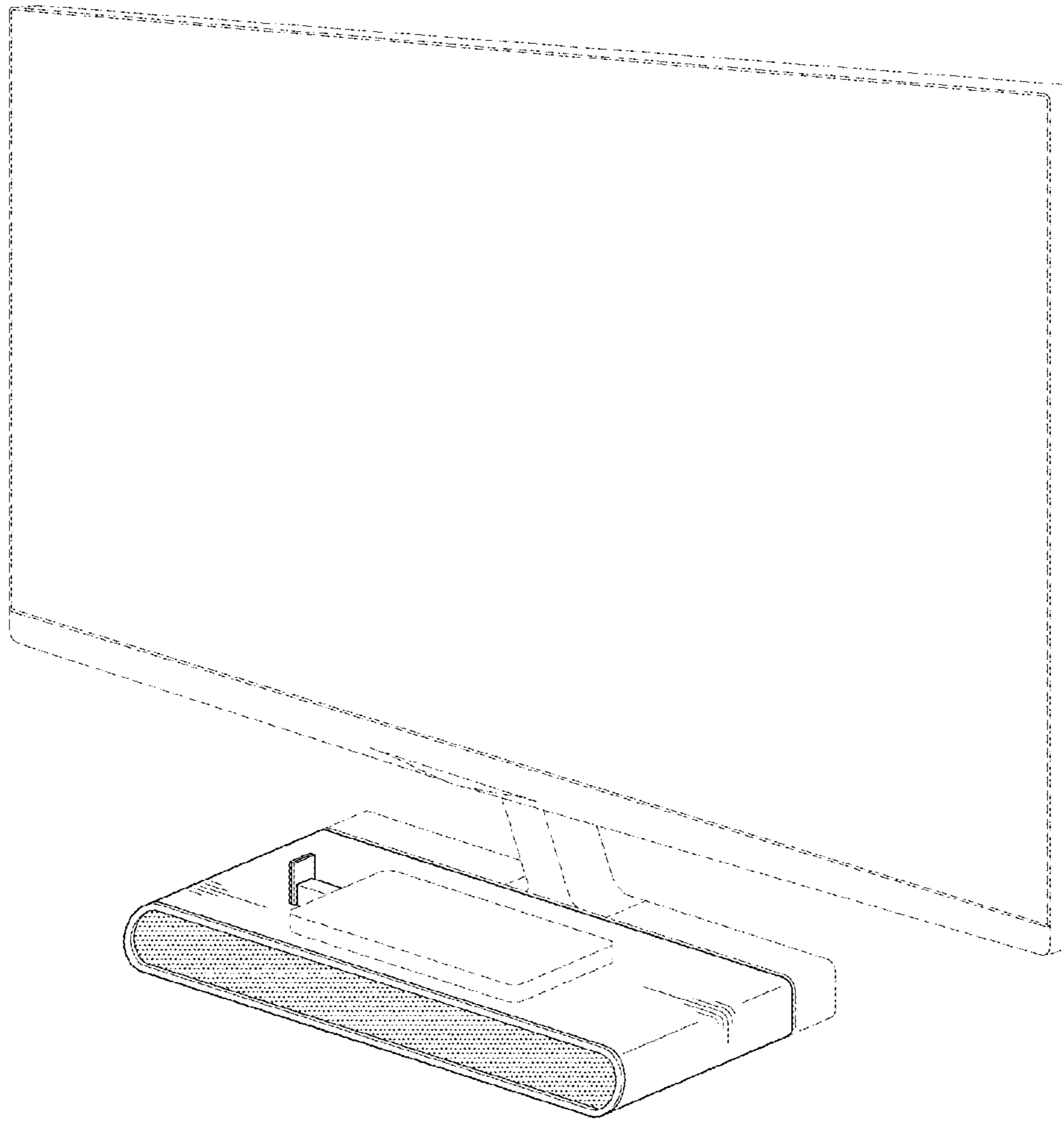


FIG. 9

