



US00D742372S

(12) **United States Design Patent**
Christopher et al.

(10) **Patent No.:** **US D742,372 S**

(45) **Date of Patent:** **** Nov. 3, 2015**

(54) **ELECTRONIC BAND**

(71) Applicant: **Microsoft Corporation**, Redmond, WA
(US)

(72) Inventors: **Stephen Christopher**, Chicago, IL (US);
Carl J. Ledbetter, Mercer Island, WA
(US); **Monique Chatterjee**, Seattle, WA
(US); **Farah Shariff**, Kirkland, WA
(US); **Sung Ho Son**, Redmond, WA (US)

(73) Assignee: **Microsoft Corporation**, Redmond, WA
(US)

(**) Term: **14 Years**

(21) Appl. No.: **29/450,046**

(22) Filed: **Mar. 15, 2013**

(51) **LOC (10) Cl.** **14-02**

(52) **U.S. Cl.**
USPC **D14/344**

(58) **Field of Classification Search**
USPC D10/31, 32, 38, 39; D14/138, 138 AA,
D14/138 G, 138 R, 144, 341, 344, 402;
368/10, 13, 69, 251
CPC A61B 5/681; G06F 1/163; G04G 9/00;
G04G 9/0064
See application file for complete search history.

(56) **References Cited**

U.S. PATENT DOCUMENTS

3,789,601	A *	2/1974	Bergey	368/69
D456,284	S *	4/2002	Wilson	D10/32
D456,724	S *	5/2002	Wilson	D10/32
D564,904	S *	3/2008	Leung	D10/31
D633,399	S *	3/2011	Zinder	D10/31
D645,360	S *	9/2011	Kiser et al.	D10/32
D701,504	S *	3/2014	Christopher et al.	D14/344

D703,069	S *	4/2014	Adams et al.	D10/31
D719,123	S *	12/2014	Park et al.	D14/138 R
D727,759	S *	4/2015	Martinez et al.	D10/70

(Continued)

OTHER PUBLICATIONS

Wearable. Best Fitness Trackers 2015: Jawbone, Misfit, Fitbit, Garmin and More. Apr. 13, 2015 [online], [site visited Jun. 11, 2015]. Available from Internet. <URL:http://www.wearable.com/fitness-trackers/the-best-fitness-tracker>.*

(Continued)

Primary Examiner — Robert M Spear
Assistant Examiner — Darcey E Heflin

(74) *Attorney, Agent, or Firm* — Banner & Witcoff, Ltd.

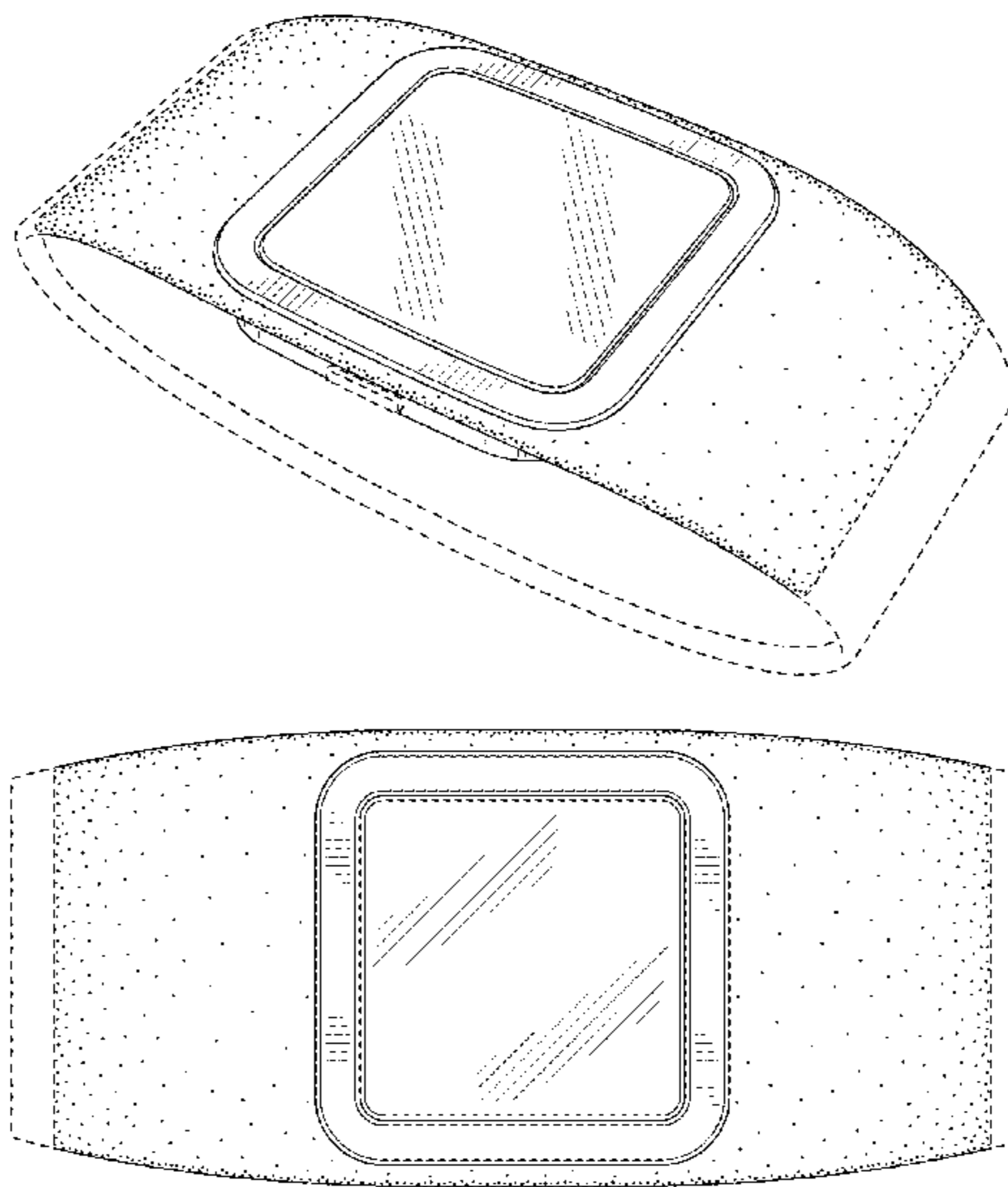
(57) **CLAIM**

The ornamental design for an electronic band, as shown and described.

DESCRIPTION

FIG. 1 is a front perspective view of an electronic band showing our new design;
FIG. 2 is a front view thereof;
FIG. 3 is a rear view thereof;
FIG. 4 is a left side view thereof;
FIG. 5 is a right side view thereof;
FIG. 6 is a bottom view thereof;
FIG. 7 is a top view thereof;
FIG. 8 is a front perspective view of an electronic band showing a second alternative embodiment of our new design;
FIG. 9 is a front view thereof;
FIG. 10 is a rear view thereof;
FIG. 11 is a left side view thereof;
FIG. 12 is a right side view thereof;
FIG. 13 is a bottom view thereof; and,
FIG. 14 is a top view thereof.
In the drawings, the broken lines depict a button and a lower portion of the band that form no part of the claim.

1 Claim, 8 Drawing Sheets



(56)

References Cited

U.S. PATENT DOCUMENTS

2009/0175130 A1* 7/2009 Hilfiker 368/10
2014/0121539 A1* 5/2014 Chatterjee et al. 600/479
2015/0098309 A1* 4/2015 Adams et al. 368/10

OTHER PUBLICATIONS

SmartWatch: Sony's Android Watch. Published by GadgetsIn on Apr. 12, 2012. [Online]. [retrieved from the Internet Sep. 11, 2013]

Retrieved from Internet <<http://gadgetsin.com/smartwatch-sonys-android-watch.htm>>.

Google Time: Konzept einer Smart Watch. Published by SmartDroid on Jun. 1, 2013. [Online]. [retrieved from the on Internet Sep. 11, 2013] Retrieved from Internet <<http://www.smartdroid.de/google-time-konzept/>>.

Now Finally MOTOACTV Torn Down and Rooted Android Watch. Published by AndroidEgis. Publish date unknown but prior to filing the present application. [retrieved from the Internet on Sep. 11, 2013] Retrieved from Internet <<http://www.androidegis.com/news/now-finally-motoactv-torn-down-and-rooted-android-watch/>>.

* cited by examiner

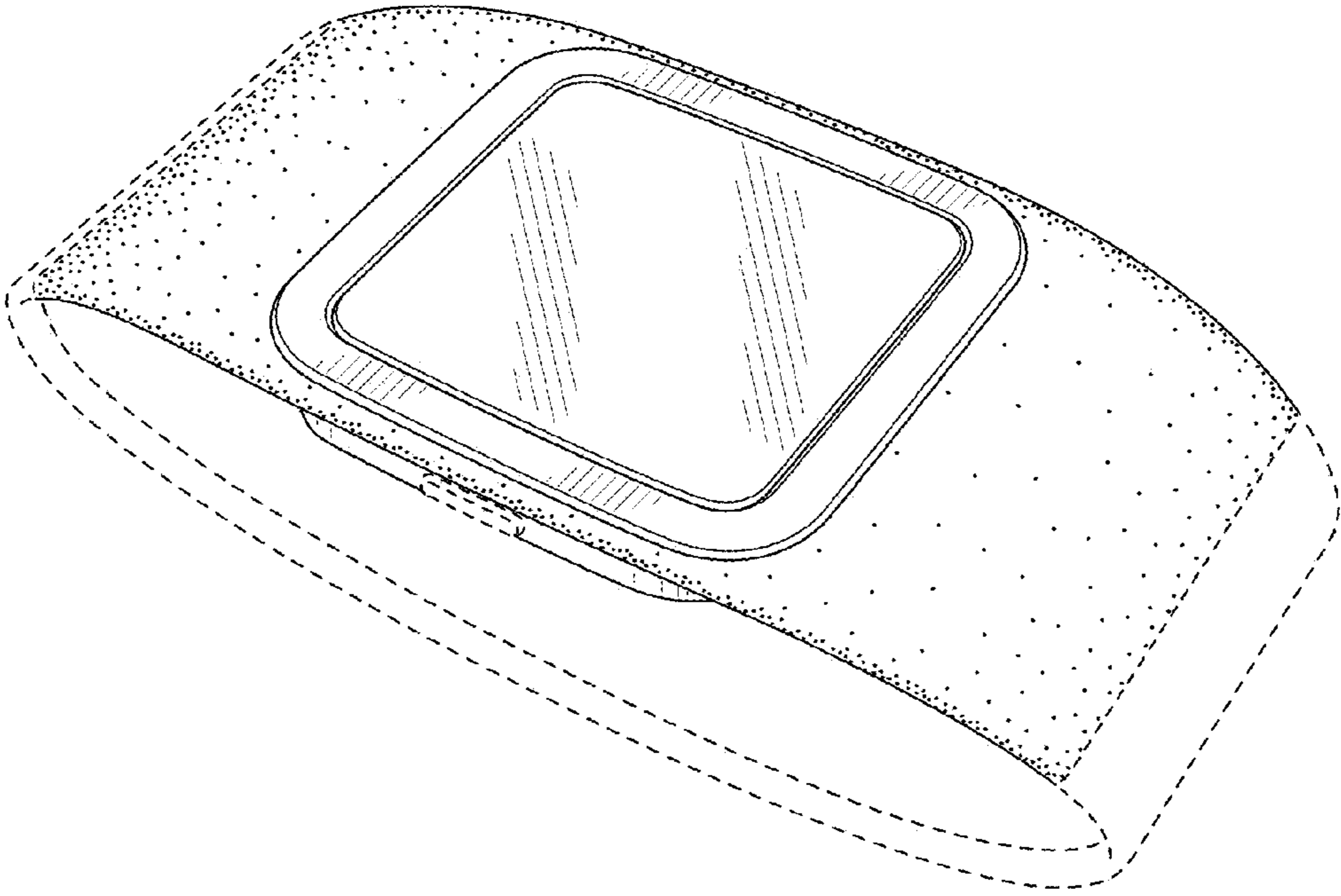


FIG. 1

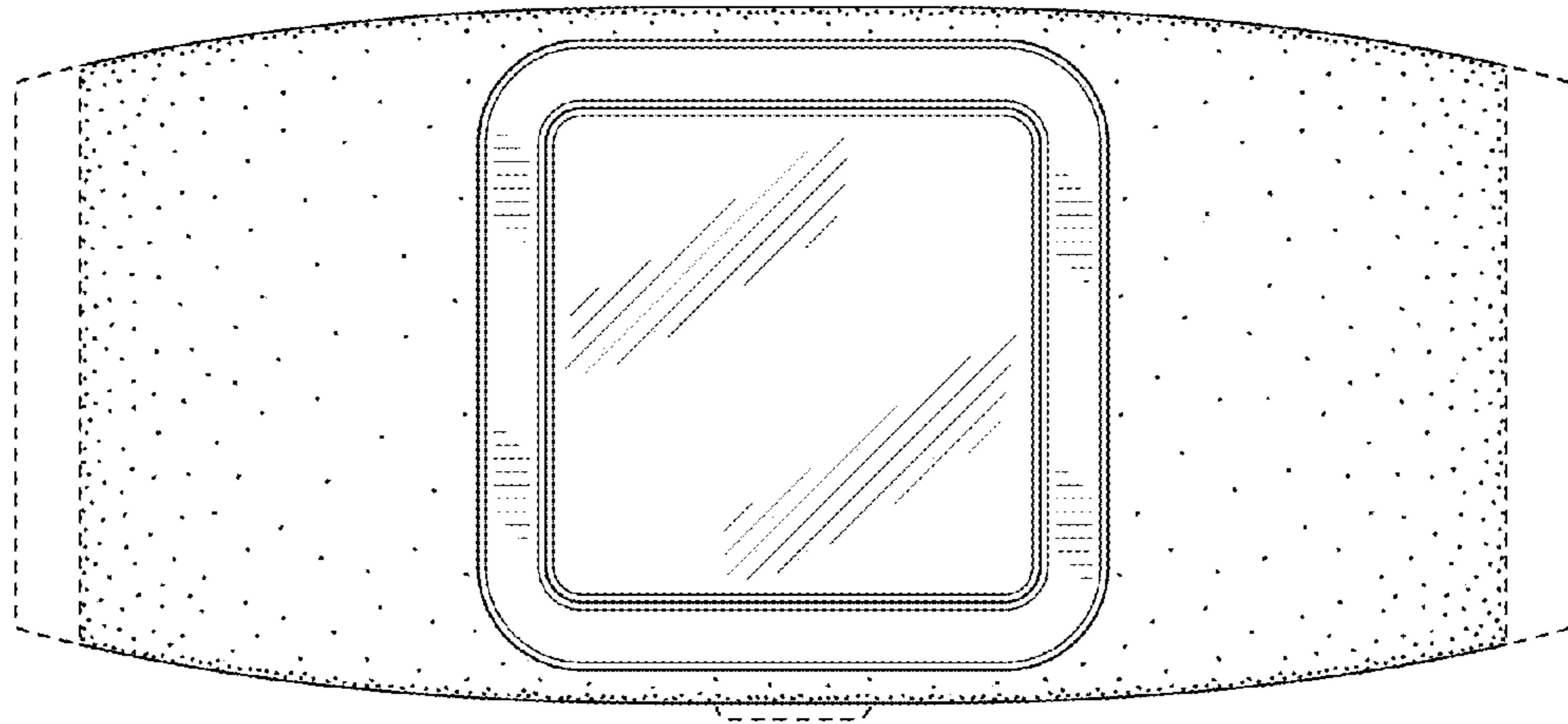


FIG. 2

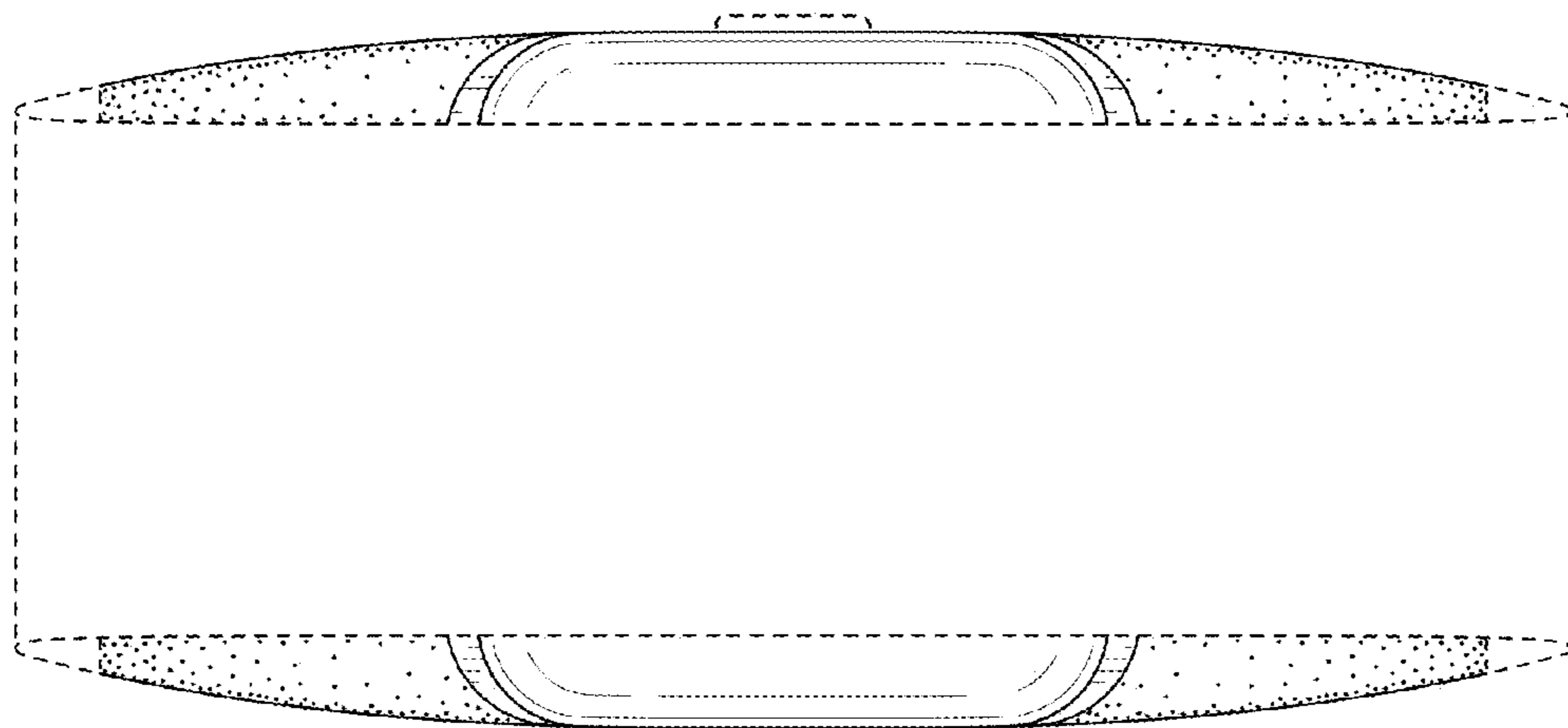


FIG. 3

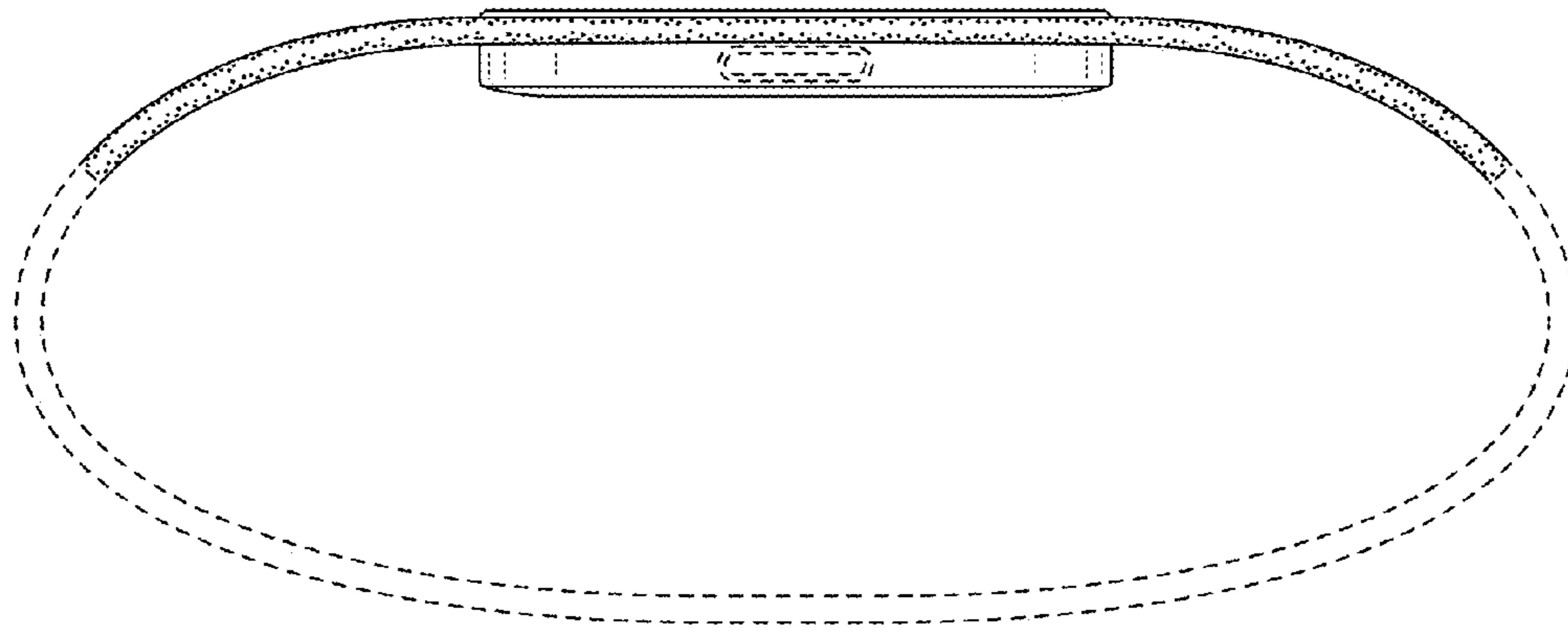


FIG. 4

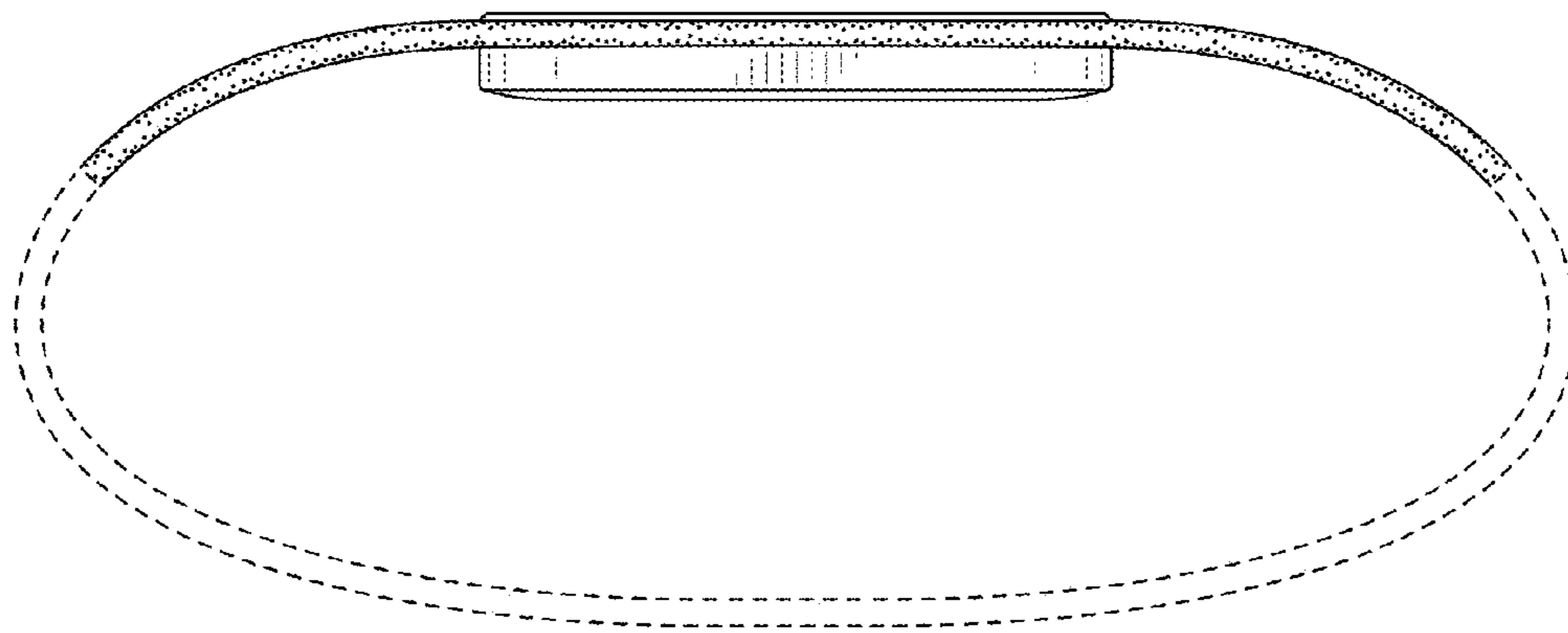


FIG. 5

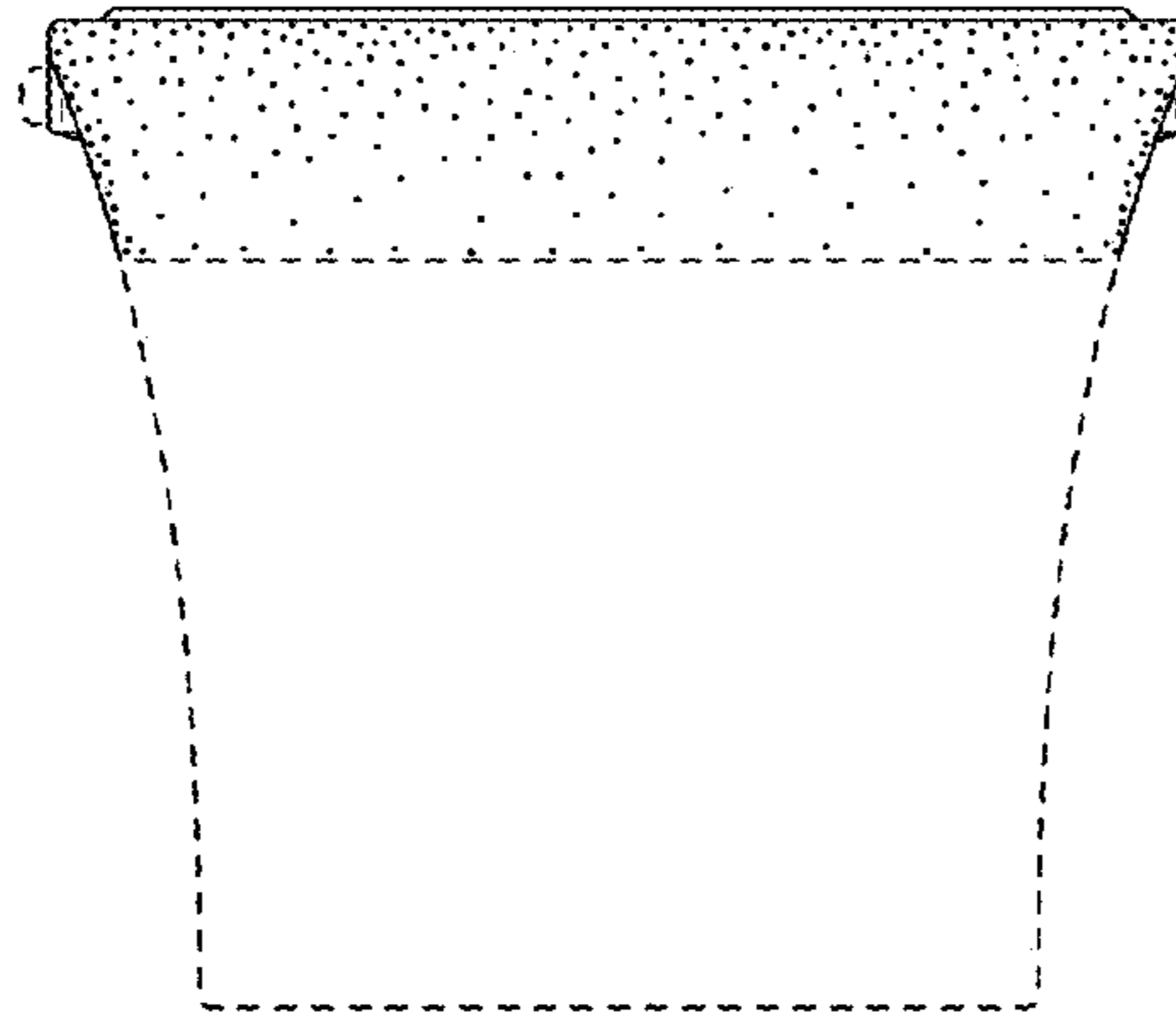


FIG. 6

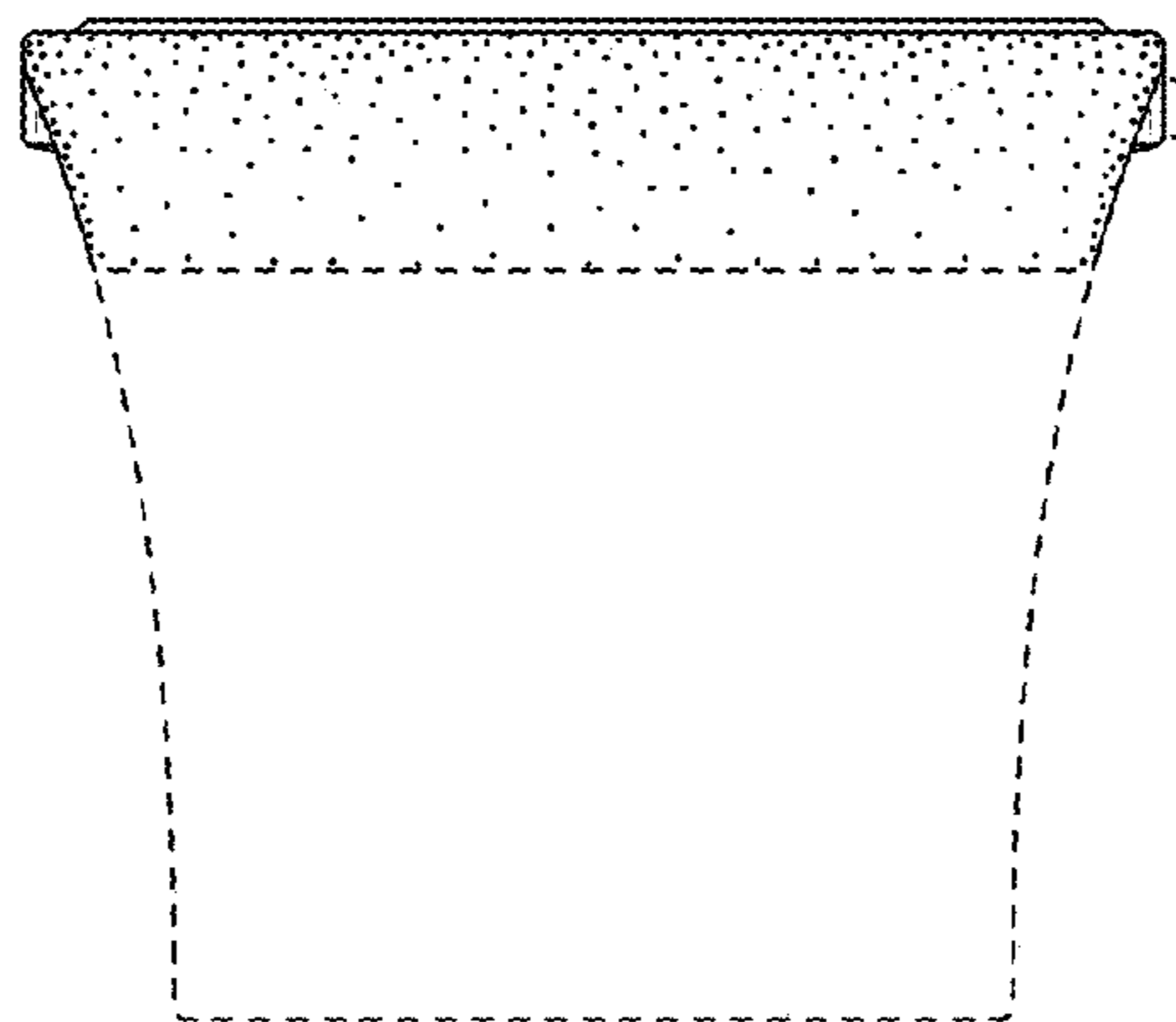


FIG. 7

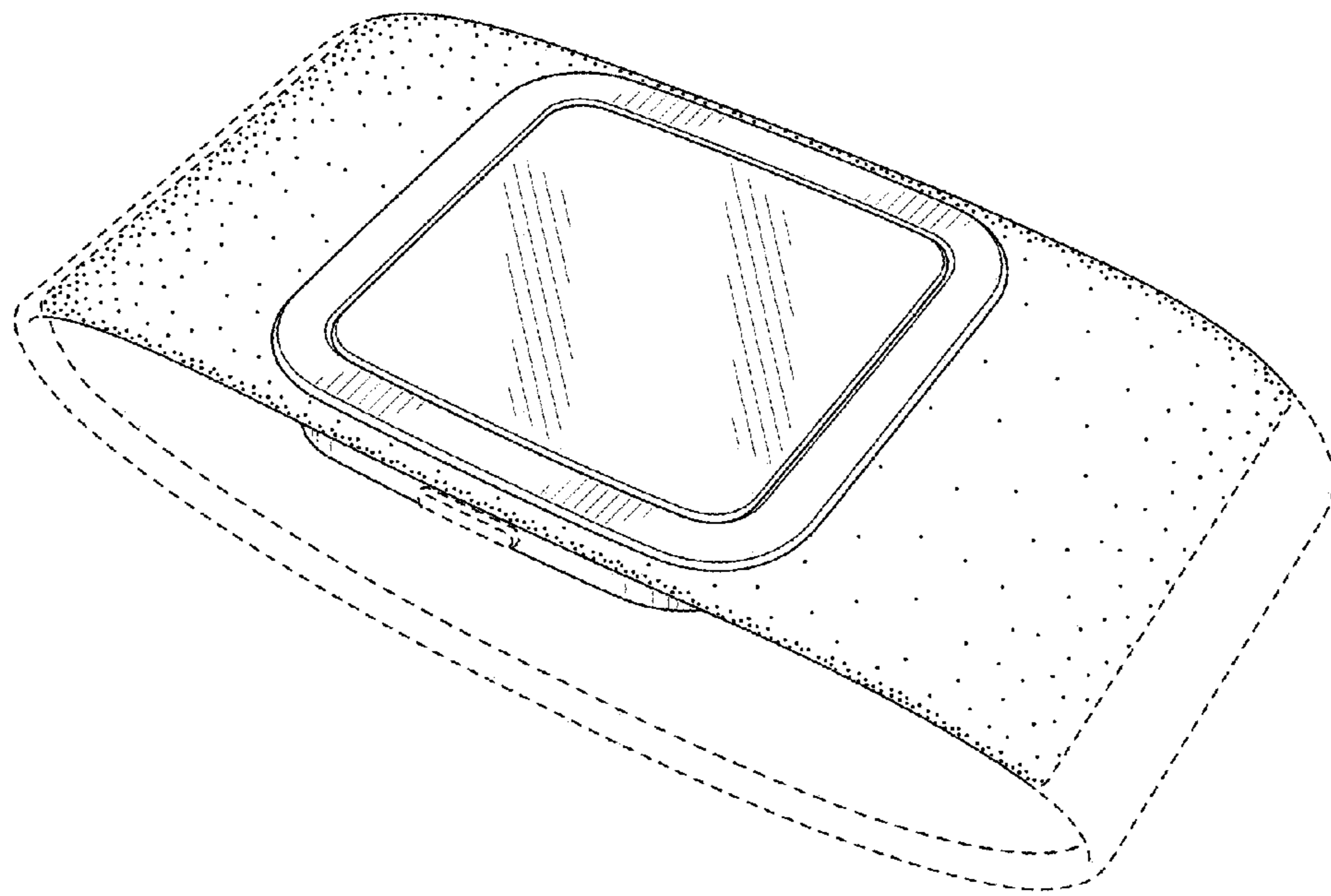


FIG. 8

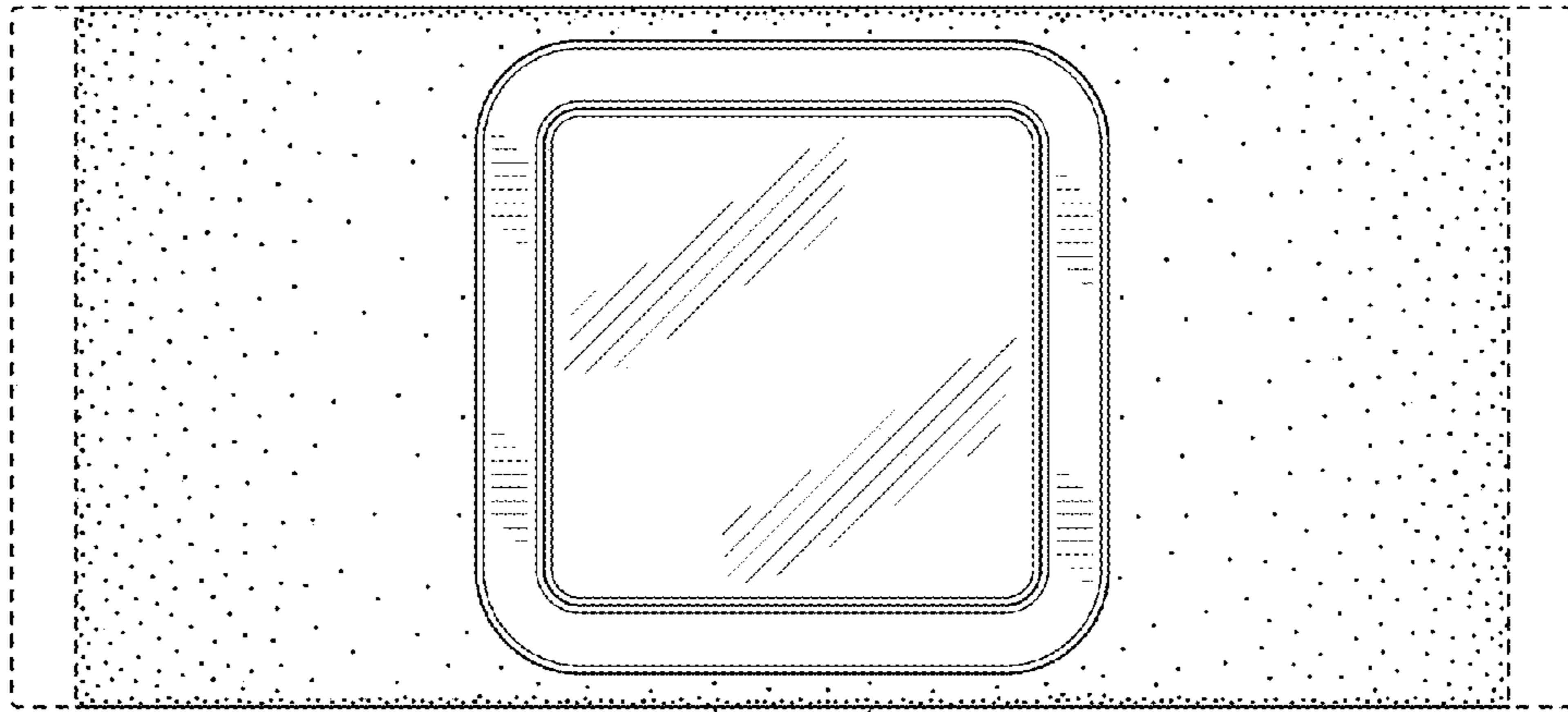


FIG. 9



FIG. 10

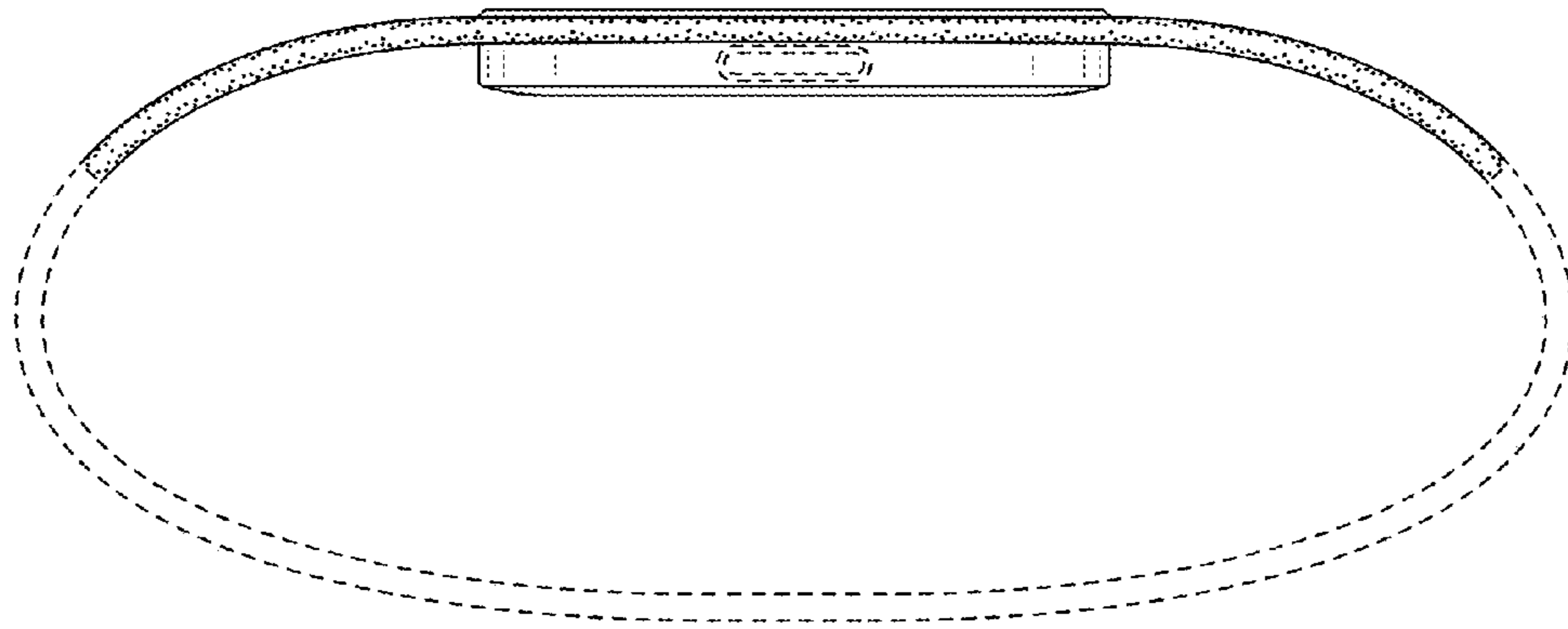


FIG. 11

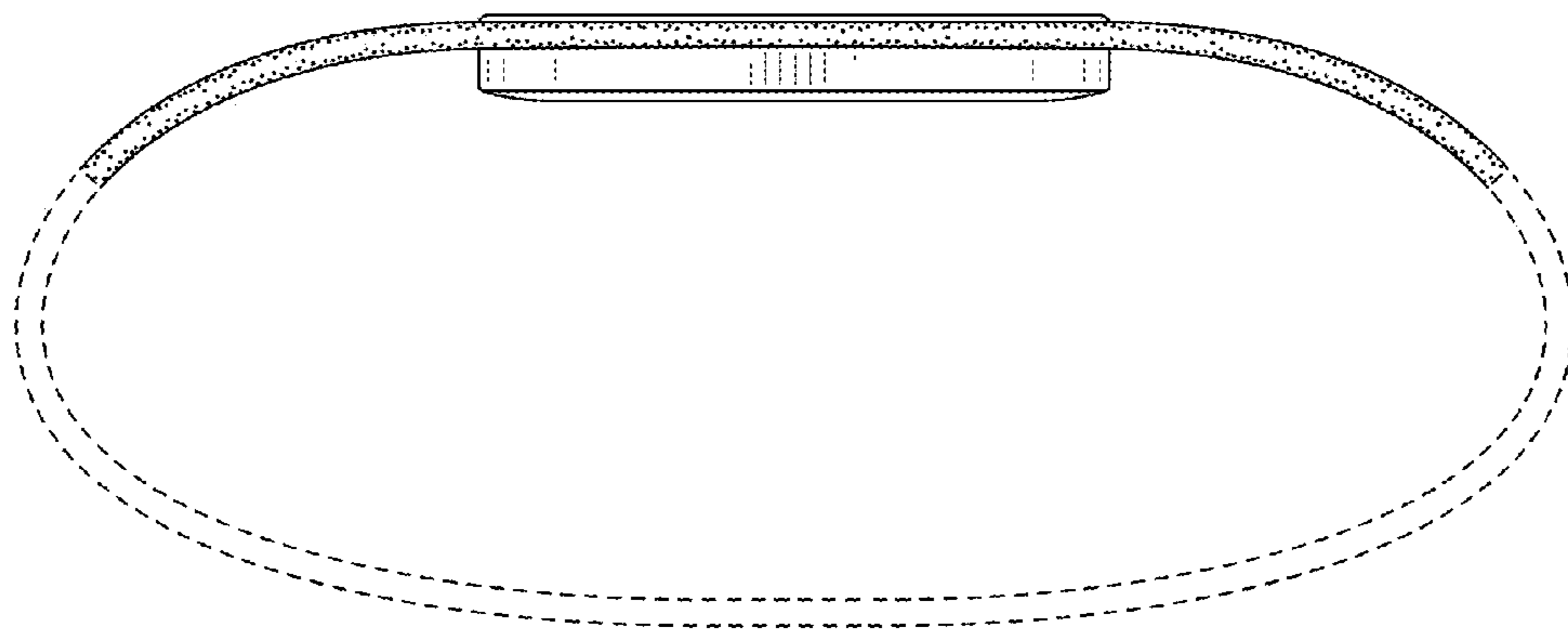


FIG. 12

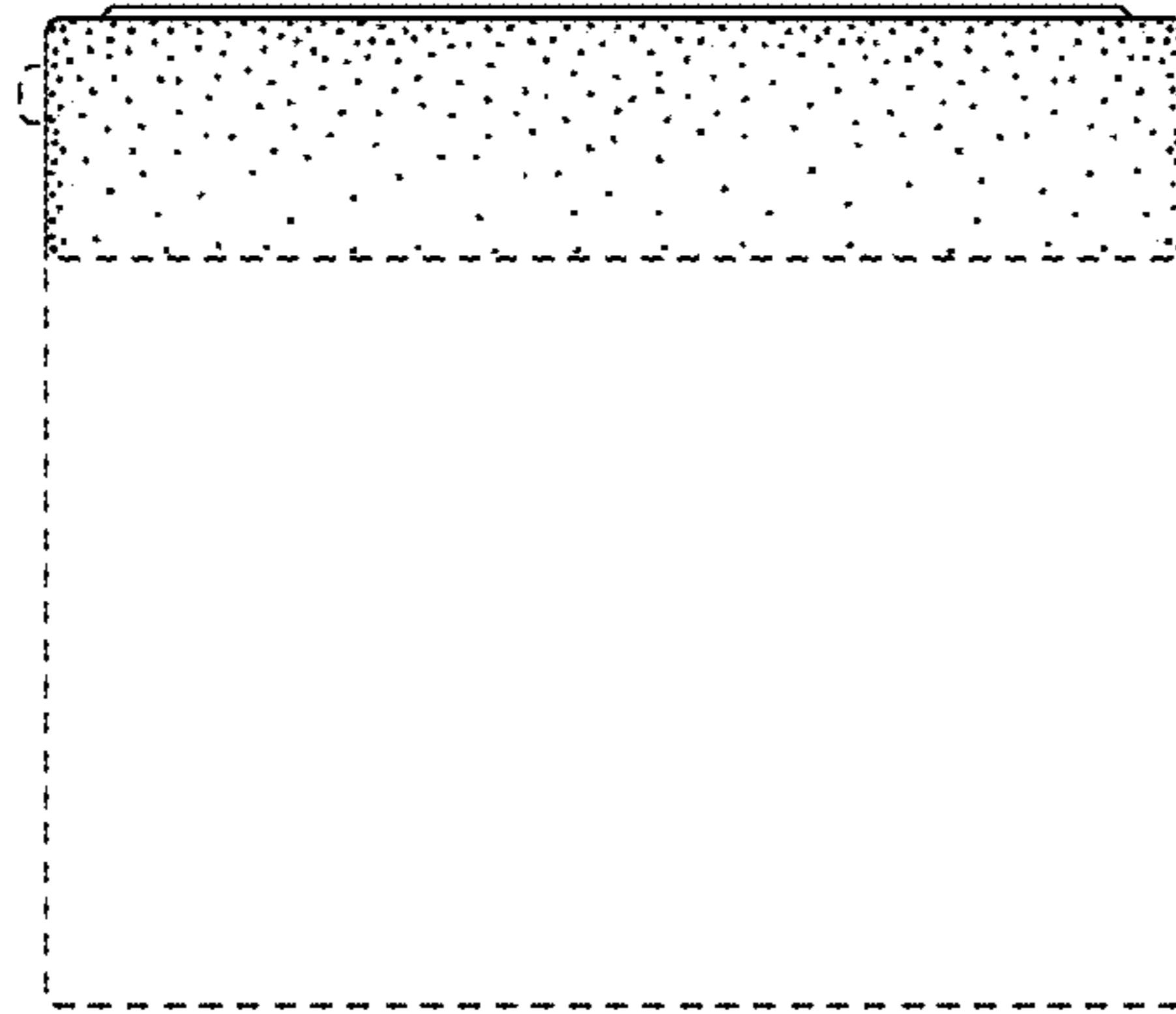


FIG. 13

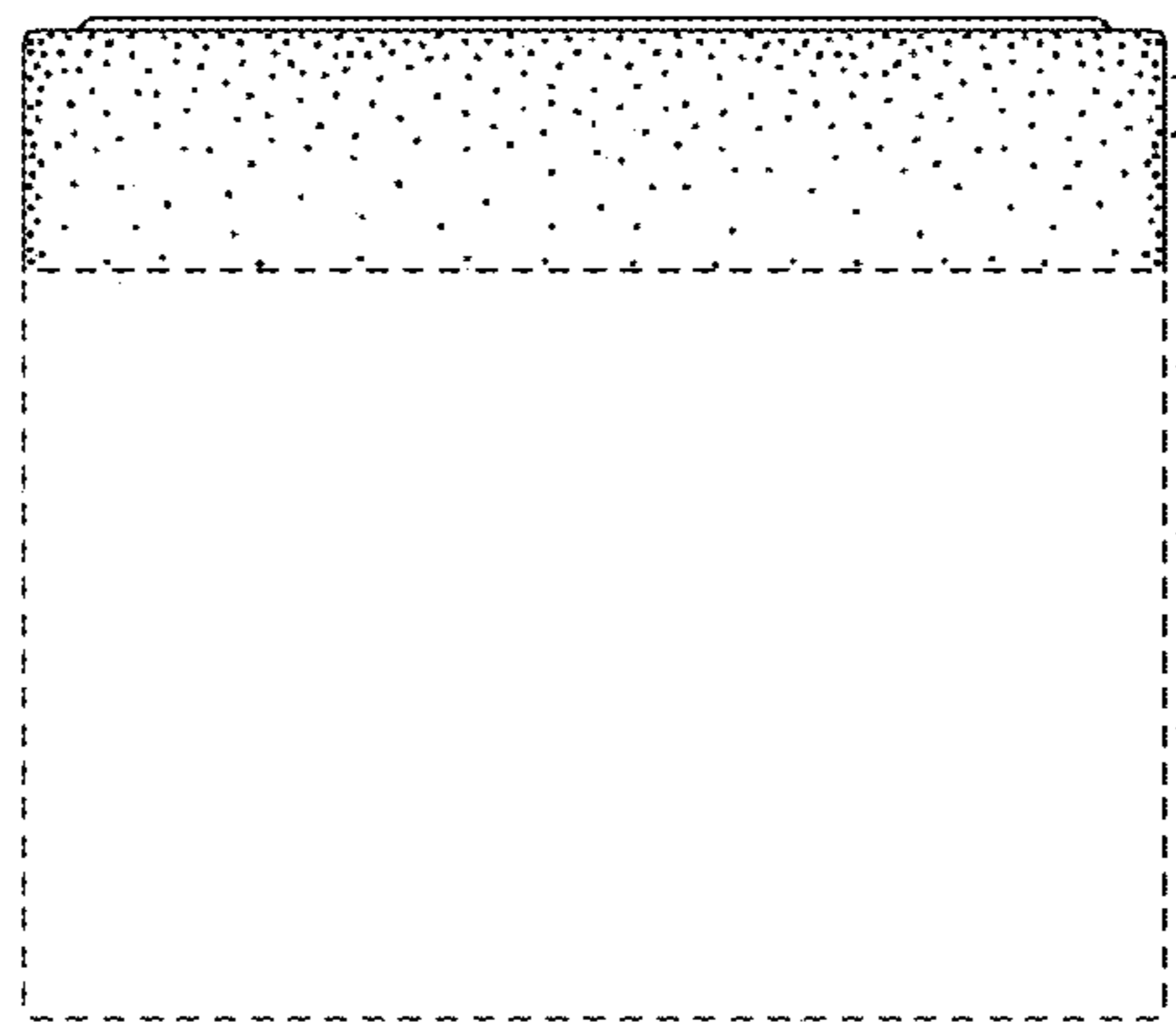


FIG. 14