



US00D742369S

(12) **United States Design Patent**
Nishizawa

(10) **Patent No.:** **US D742,369 S**
(45) **Date of Patent:** **** Nov. 3, 2015**

(54) **CONTROLLER FOR WIRELESS RADIOS**

(71) Applicant: **ICOM INCORPORATED**, Osaka (JP)

(72) Inventor: **Haruki Nishizawa**, Osaka (JP)

(73) Assignee: **ICOM INCORPORATED**, Osaka (JP)

(**) Term: **14 Years**

(21) Appl. No.: **29/507,891**

(22) Filed: **Oct. 31, 2014**

(30) **Foreign Application Priority Data**

May 1, 2014 (JP) 2014-009537

(51) **LOC (10) Cl.** **14-03**

(52) **U.S. Cl.**
USPC **D14/257**

(58) **Field of Classification Search**
USPC D12/192, 195, 415, 420; D14/157, 168,
D14/188-198, 218, 224, 257-258, 496,
D14/498-511; 248/27.1, 27.3, 558;
455/344-355; 369/6-12
CPC B60K 37/04; H04B 1/08; H04B 1/082
See application file for complete search history.

(56) **References Cited**

U.S. PATENT DOCUMENTS

D365,568 S * 12/1995 Tokiyama D14/258
D516,536 S * 3/2006 Mizokawa D14/157
D531,174 S * 10/2006 Oono D14/505

D531,627 S * 11/2006 Oono D14/506
D533,536 S * 12/2006 Mizokawa D14/157
D533,860 S * 12/2006 Mizokawa D14/157
D536,316 S * 2/2007 Mizokawa D14/188
D561,753 S * 2/2008 Riede D14/257
D672,743 S * 12/2012 Suzuki et al. D14/157

FOREIGN PATENT DOCUMENTS

JP D1181982 8/2003

* cited by examiner

Primary Examiner — Sandra Morris

(74) *Attorney, Agent, or Firm* — Birch, Stewart, Kolasch & Birch, LLP

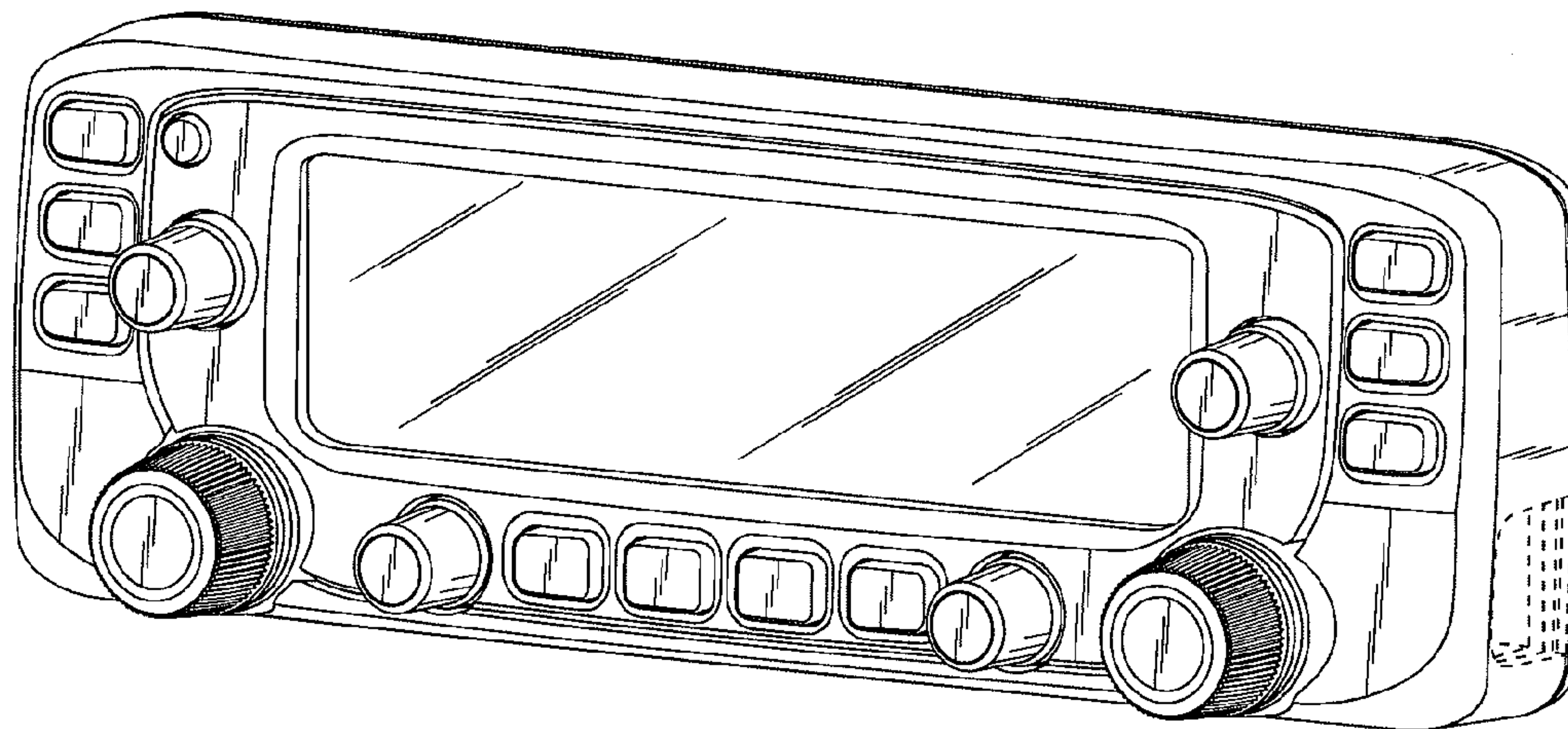
(57) **CLAIM**

The ornamental design for a controller for wireless radios, as shown and described.

DESCRIPTION

FIG. 1 is a perspective view of the controller for wireless radios;
FIG. 2 is a front view of the controller for wireless radios;
FIG. 3 is a rear view of the controller for wireless radios;
FIG. 4 is a left side view of the controller for wireless radios;
FIG. 5 is a right side view of the controller for wireless radios;
FIG. 6 is a top view of the controller for wireless radios; and,
FIG. 7 is a bottom view of the controller for wireless radios.
The portion shown by broken lines is for illustrative purposes only and forms no part of the claimed design.

1 Claim, 5 Drawing Sheets



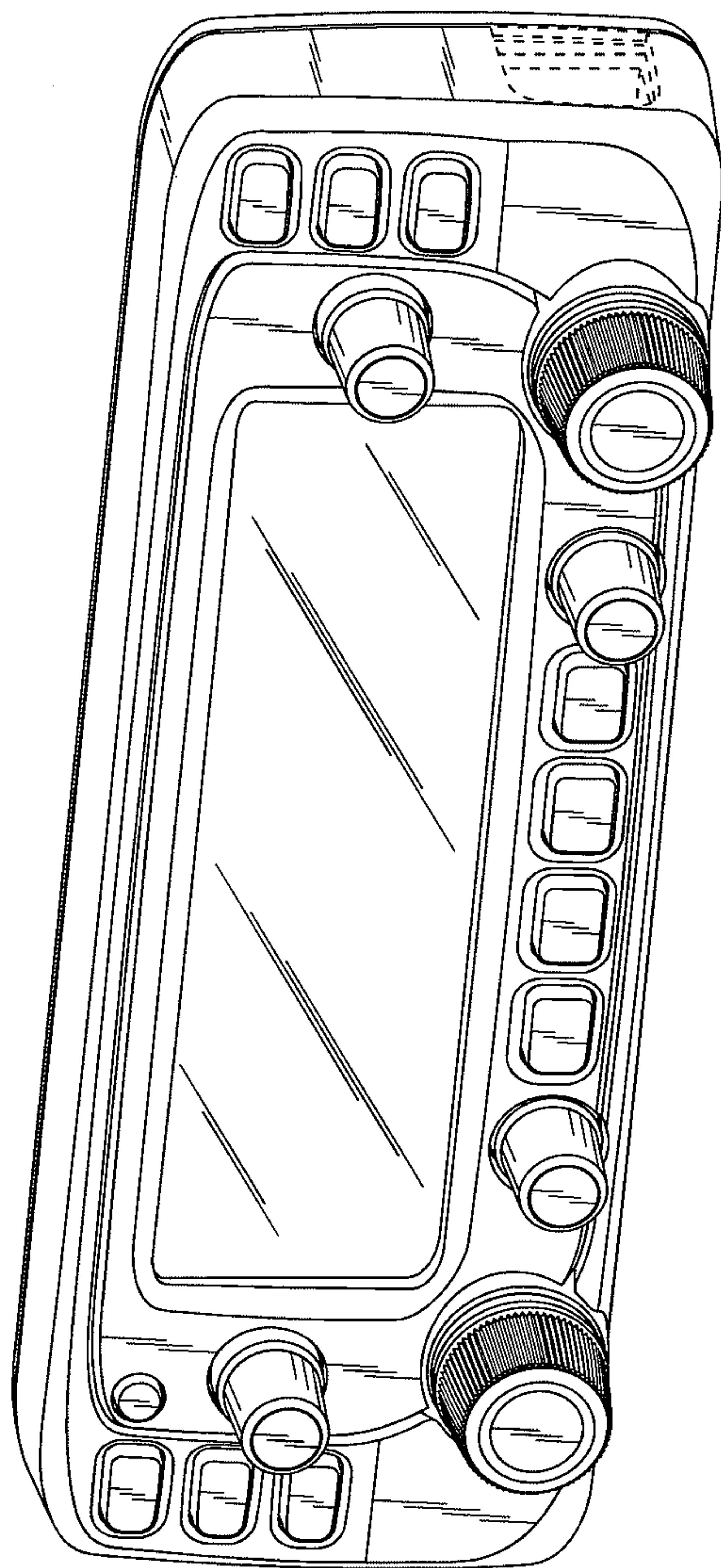


FIG.1

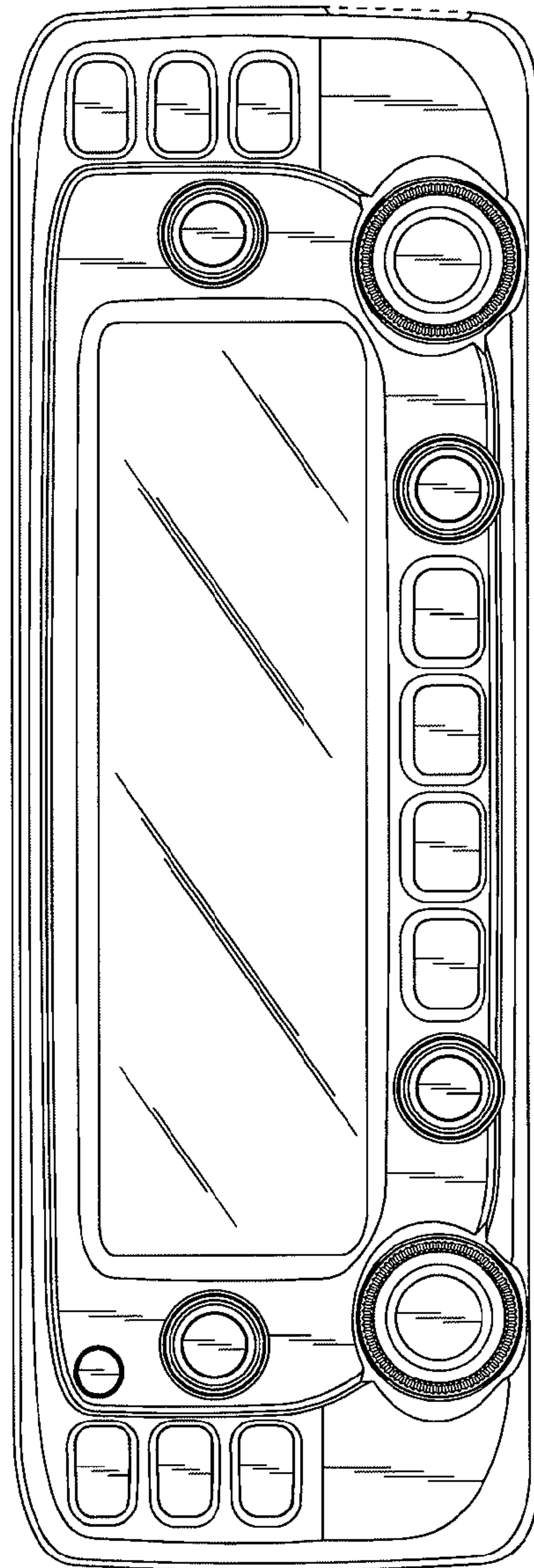


FIG. 2

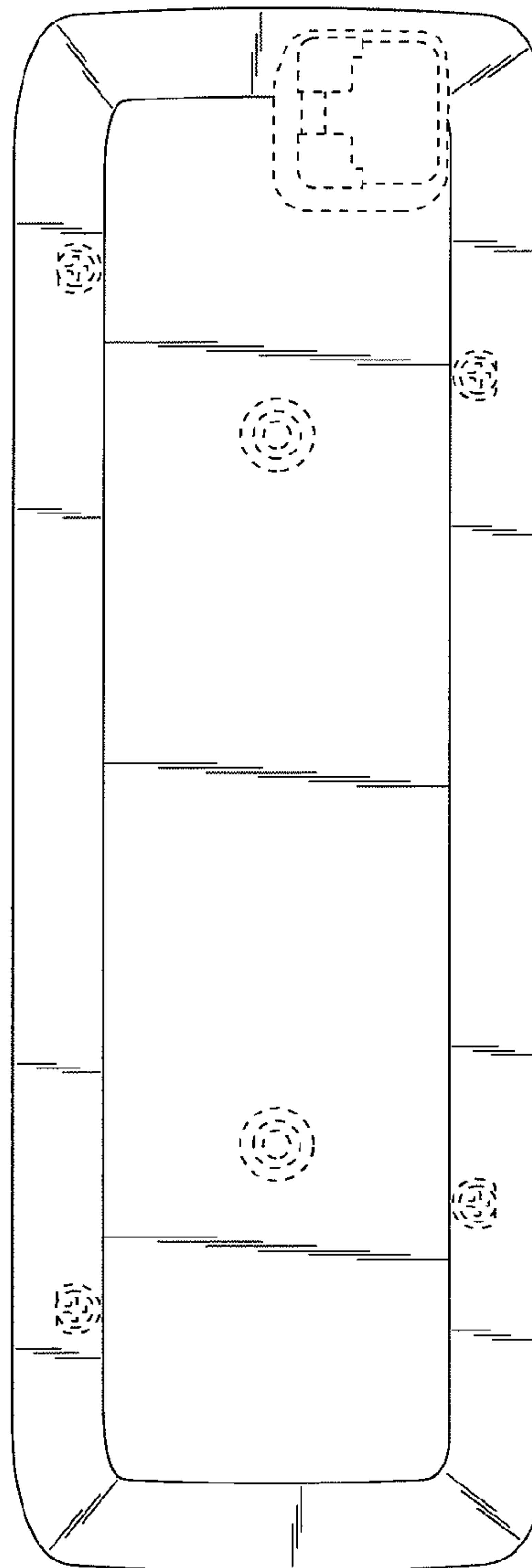


FIG. 3

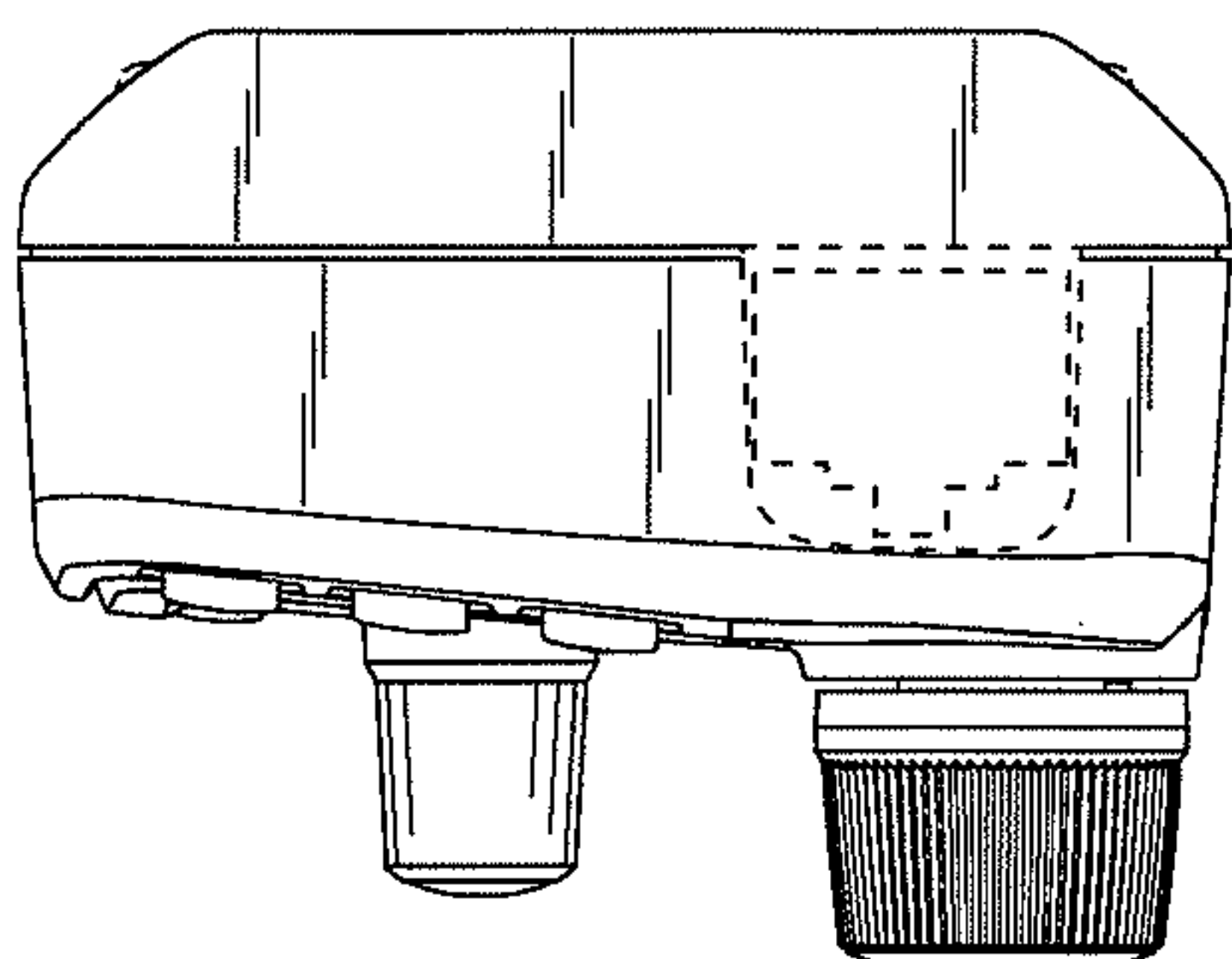


FIG.5

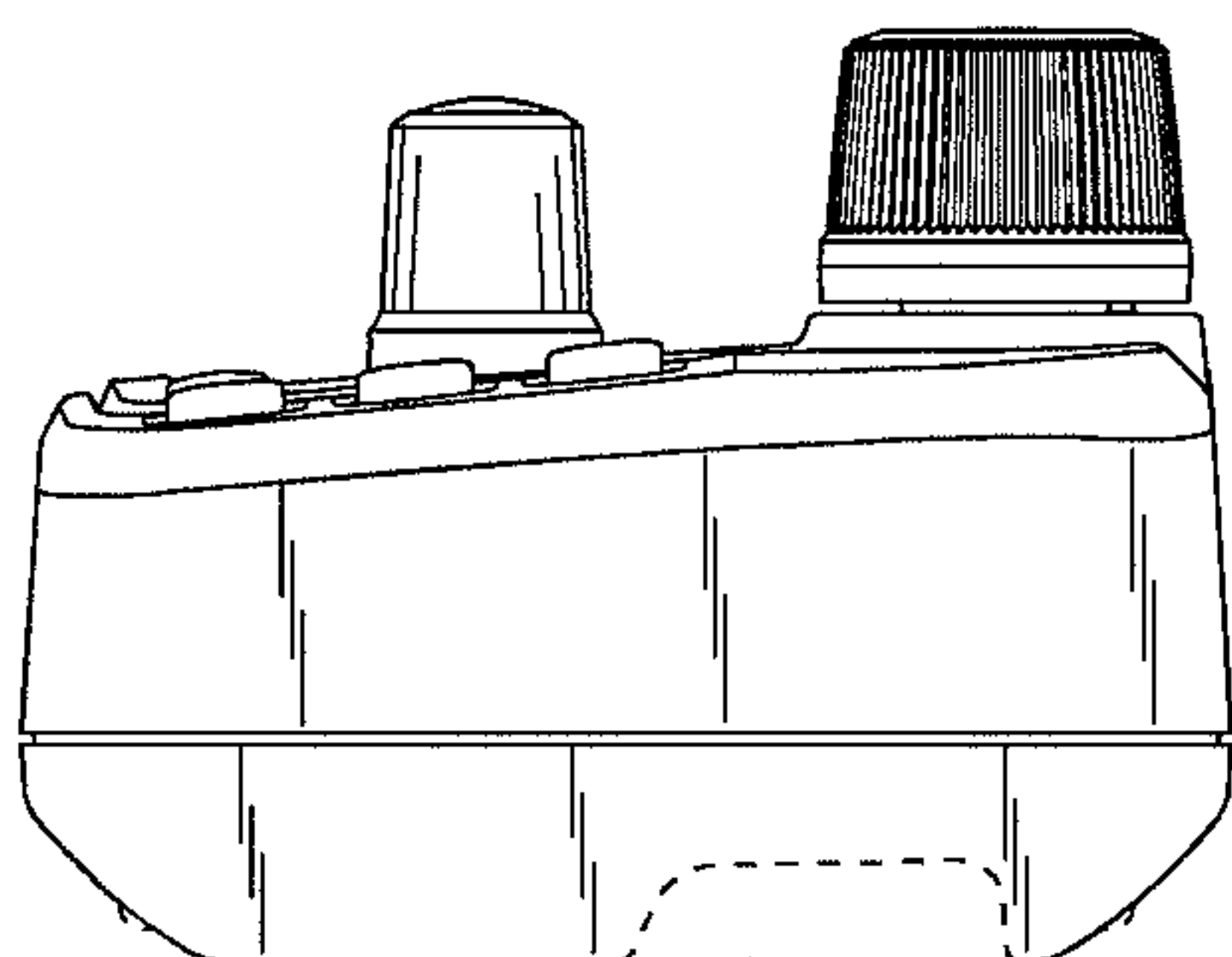


FIG.4

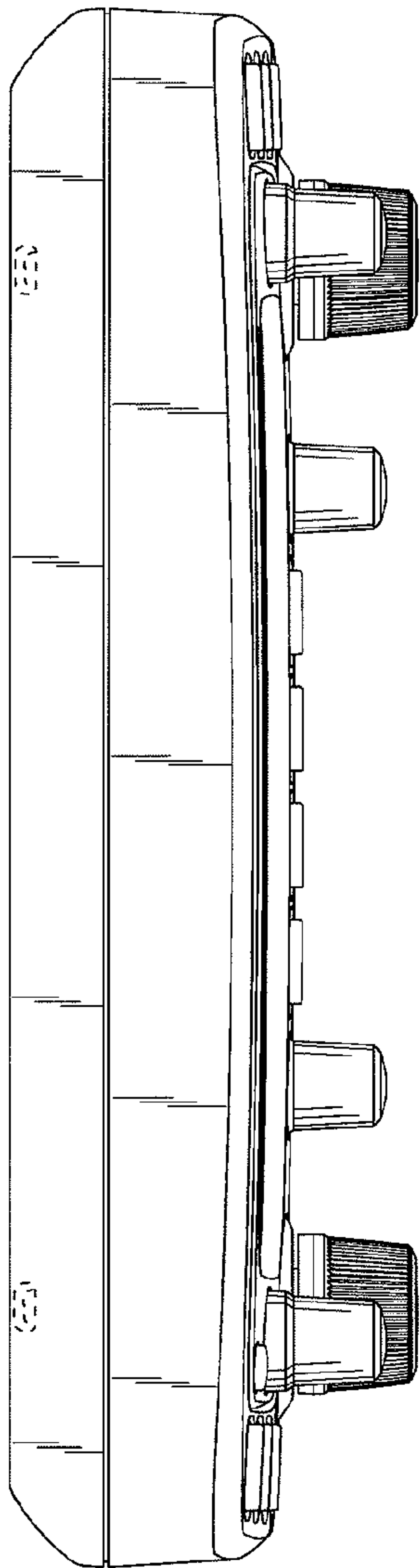


FIG. 6

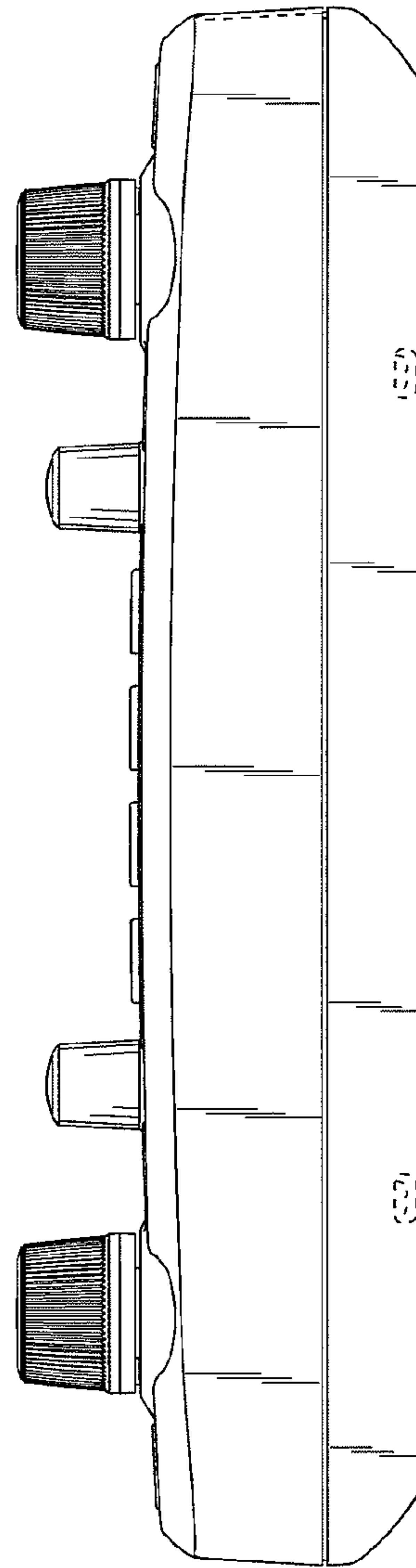


FIG. 7