



US00D742367S

(12) **United States Design Patent**
Appleton

(10) **Patent No.:** **US D742,367 S**

(45) **Date of Patent:** **** Nov. 3, 2015**

(54) **APPARATUS FOR WIRELESS COMMUNICATION**

(56) **References Cited**

U.S. PATENT DOCUMENTS

(71) Applicant: **Draeger Safety UK Limited**, Blyth, Northumberland (GB)

D420,361 S *	2/2000	Lutz et al.	D14/242
D438,199 S *	2/2001	Arpe	D14/240
D463,792 S *	10/2002	Stokes et al.	D14/140.5
D478,580 S *	8/2003	Schmidt et al.	D14/240
D548,731 S *	8/2007	Liu et al.	D14/240
D598,449 S *	8/2009	Landry et al.	D14/358
D605,643 S *	12/2009	Landry et al.	D14/240
D633,495 S *	3/2011	Yoon et al.	D14/356
D656,126 S *	3/2012	Choi et al.	D14/218
D694,233 S *	11/2013	Hoofnagle et al.	D14/356
D711,359 S *	8/2014	Marzynski et al.	D14/240
D719,939 S *	12/2014	Liang et al.	D14/240
2004/0080905 A1 *	4/2004	Frank	361/683

(72) Inventor: **John J. Appleton**, Northumberland (GB)

(73) Assignee: **Draeger Safety UK Limited**, Blyth (GB)

(**) Term: **14 Years**

* cited by examiner

(21) Appl. No.: **29/479,163**

Primary Examiner — Rosemary K Tarcza

Assistant Examiner — Sanjeev Paul

(22) Filed: **Jan. 13, 2014**

(74) *Attorney, Agent, or Firm* — DLA Piper LLP (US)

(30) **Foreign Application Priority Data**

(57) **CLAIM**

The ornamental design for an apparatus for wireless communication, as shown and described.

Jul. 22, 2013 (EM) 002278887

(51) **LOC (10) Cl.** **14-03**

DESCRIPTION

(52) **U.S. Cl.**
USPC **D14/240**

FIG. 1 is a top perspective view of an apparatus for wireless communication;

FIG. 2 is a top view thereof;

FIG. 3 is a right side view thereof; and,

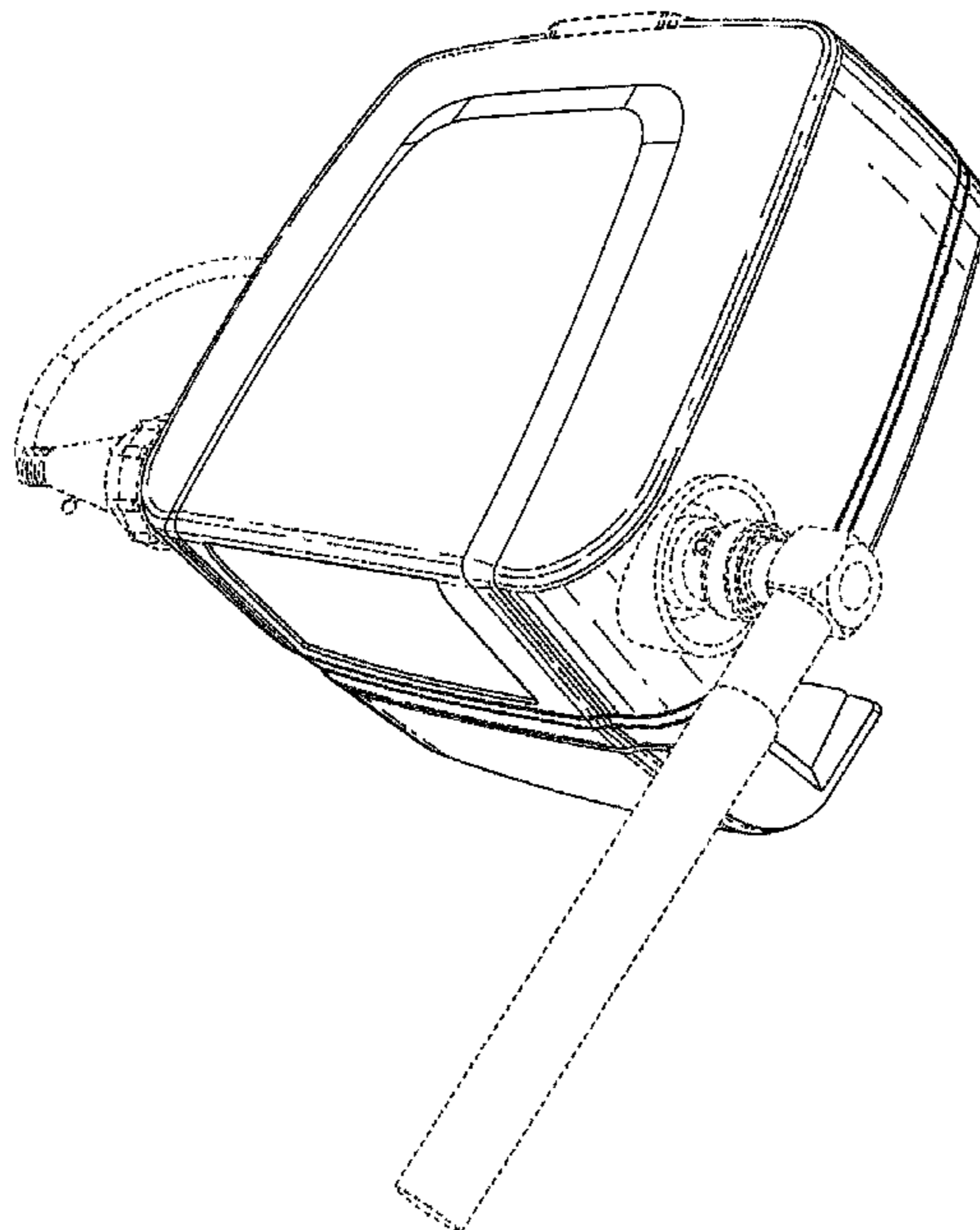
FIG. 4 is a left side view thereof.

(58) **Field of Classification Search**
USPC D14/135, 137, 139, 140–140.9, 155, D14/167, 240, 242, 243, 348, 349, 351, 354, D14/355, 356, 357, 358, 385, 433, 435, D14/435.1, 436, 474, 480, 496; D13/103, D13/108, 110, 147; D10/75
CPC H04L 12/00; H03K 17/00; H04W 88/00; H04W 88/005; H04W 88/02; H04W 88/08; H04W 88/085; H04W 88/10; H04W 88/12; H04W 88/14; H04B 1/38

The broken lines shown in the drawings that are immediately adjacent to the shaded areas (and which define unshaded regions) represent the bounds of the claim, while the broken lines within the boundaries are directed to environment. The broken lines and the unshaded regions form no part of the claimed design. The areas which lie directly underneath of areas shown in broken lines in the drawings are claimed.

See application file for complete search history.

1 Claim, 4 Drawing Sheets



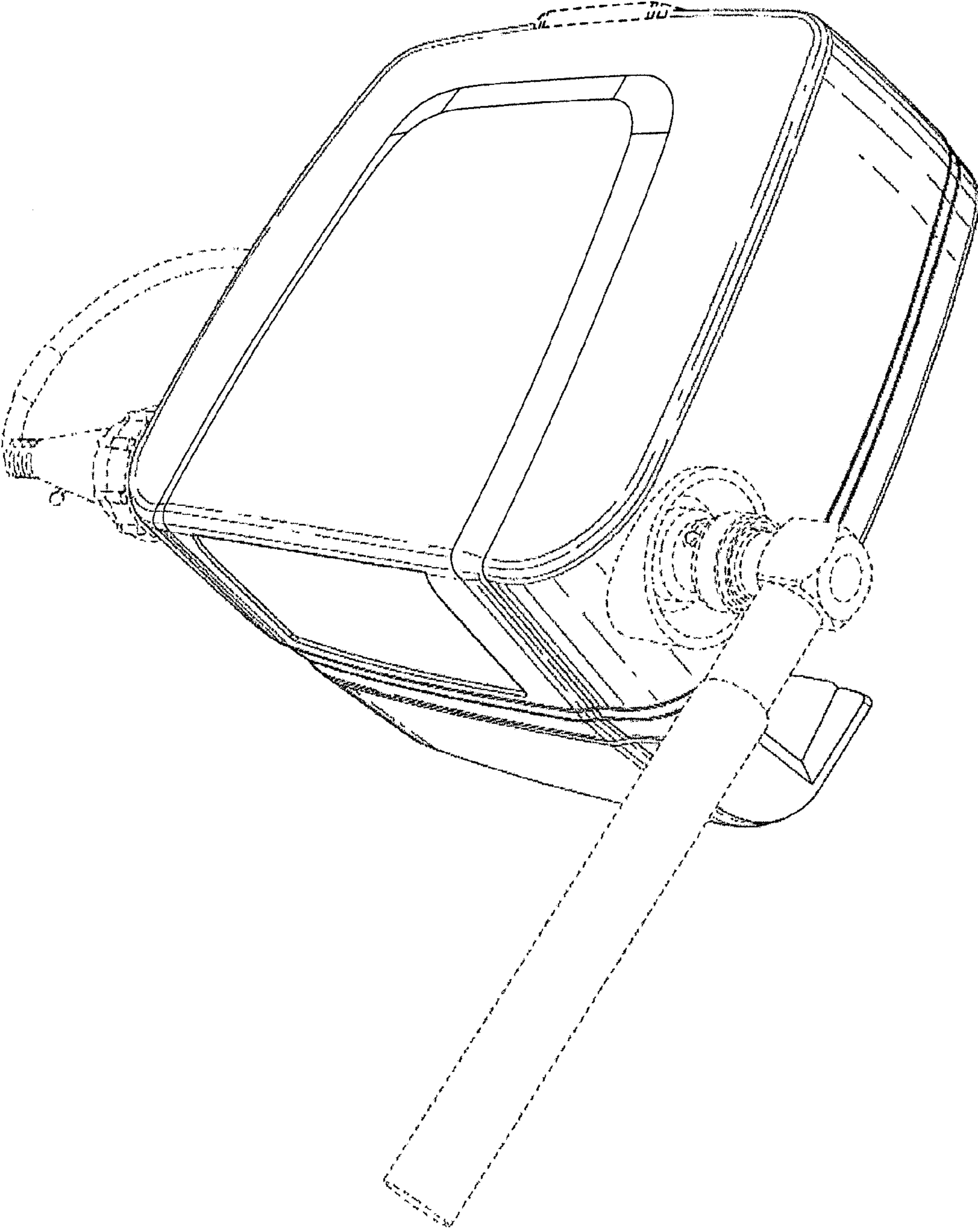


FIG. 1

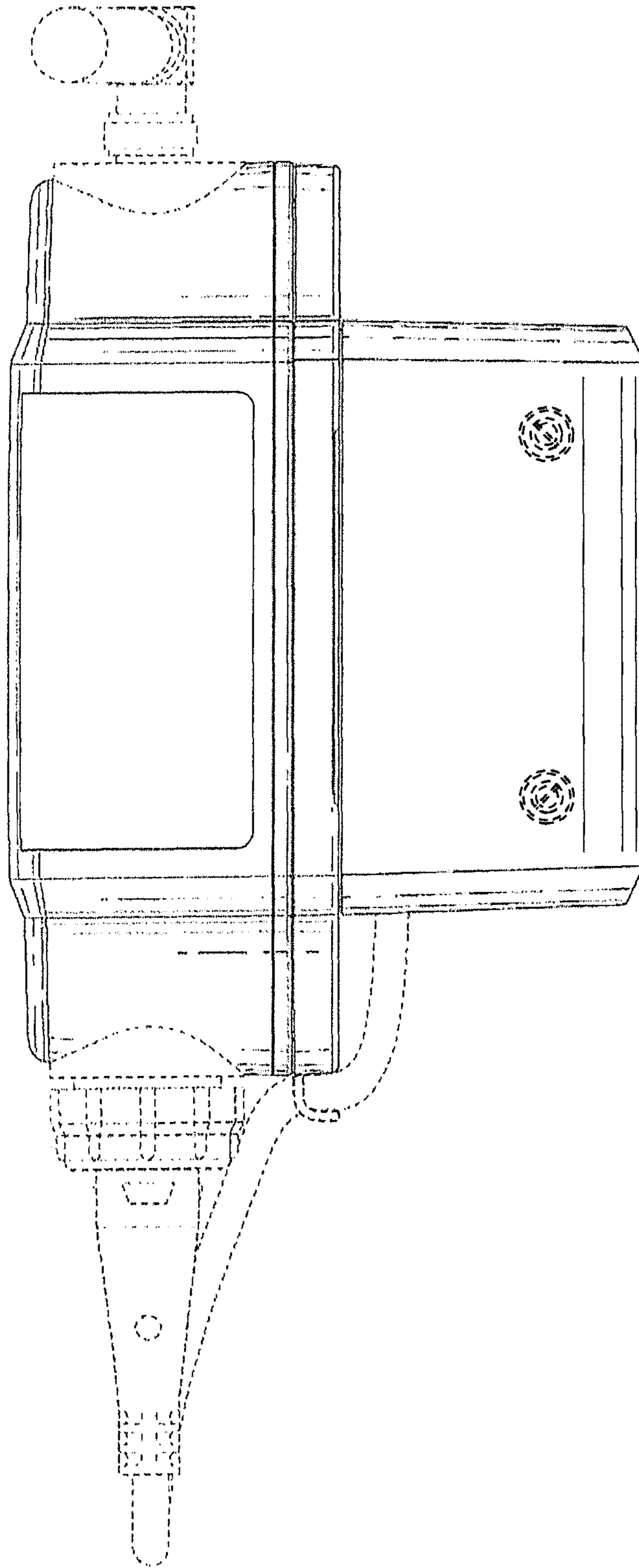


FIG. 2

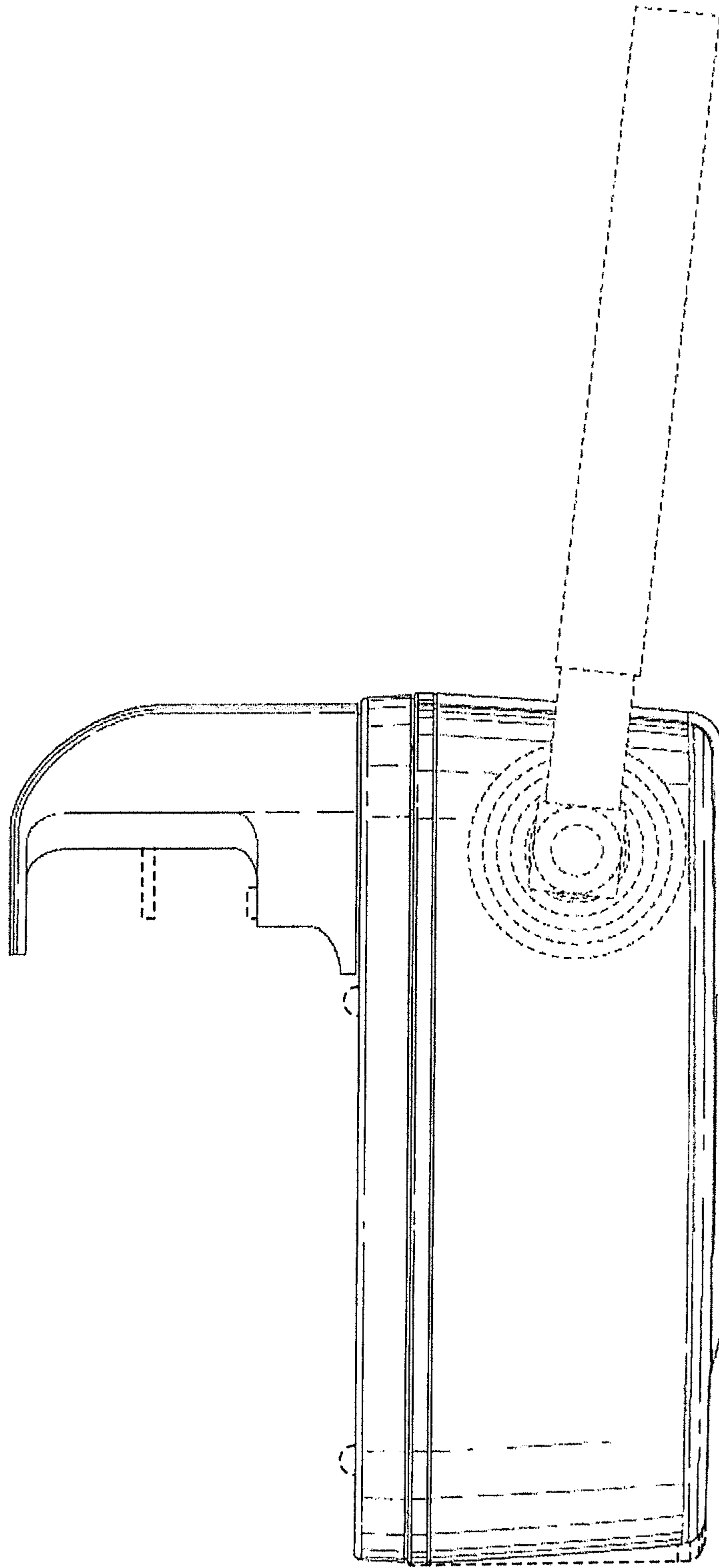


FIG. 3

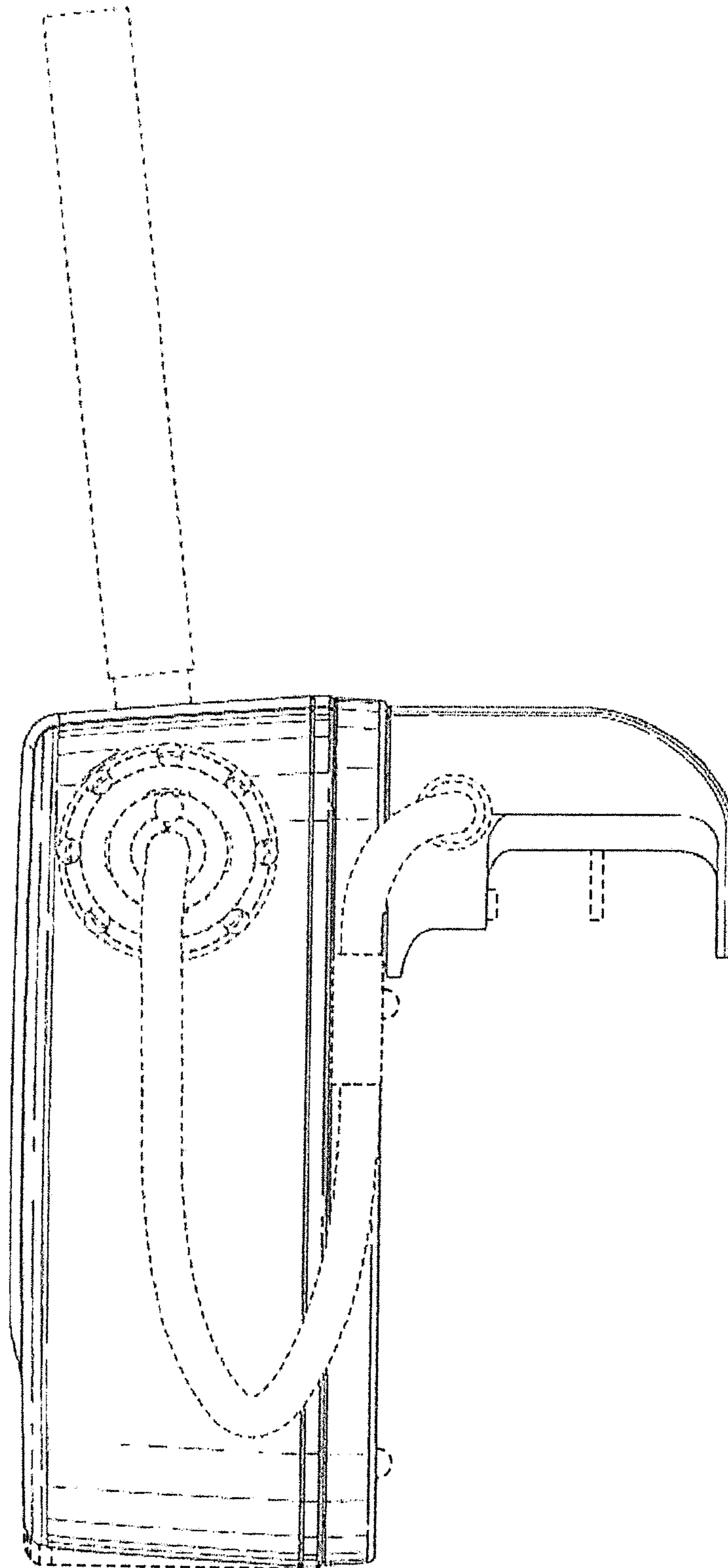


FIG. 4