



US00D742365S

(12) **United States Design Patent**
Kim et al.

(10) **Patent No.:** **US D742,365 S**
(45) **Date of Patent:** **** Nov. 3, 2015**

(54) **SPEAKER FOR TV RECEIVER**

(71) Applicant: **LG ELECTRONICS INC.**, Seoul (KR)

(72) Inventors: **Junki Kim**, Seoul (KR); **Jongho Kim**,
Seoul (KR); **Seonkyu Kim**, Seoul (KR)

(73) Assignee: **LG Electronics Inc.**, Seoul (KR)

(**) Term: **14 Years**

(21) Appl. No.: **29/518,943**

(22) Filed: **Feb. 27, 2015**

(30) **Foreign Application Priority Data**

Sep. 2, 2014 (KR) 30-2014-0042692

(51) **LOC (10) Cl.** **14-03**

(52) **U.S. Cl.**
USPC **D14/239**

(58) **Field of Classification Search**

USPC D14/125-134, 239, 371, 136, 374-377,
D14/440, 450, 448, 336, 342, 159; 312/7.2;
348/836, 838, 180, 184, 325, 739;
248/917-924, 465; 345/104, 133, 156,
345/168, 87, 173; D21/329, 515, 577, 622,
D21/333, 433, 448, 452, 450, 331, 505;
D10/15, 26; 446/484, 175, 356;
D6/477, 479, 300; D24/185; D34/14
CPC ... G06F 1/1601; G06F 1/1643; H05K 5/0004;
H05K 5/0017; H05K 5/02; H05K 5/0217

See application file for complete search history.

(56) **References Cited**

U.S. PATENT DOCUMENTS

D540,310 S *	4/2007	Yuyama	D14/214
D629,372 S *	12/2010	Lim et al.	D14/126
D643,002 S *	8/2011	Choi et al.	D14/126
D646,242 S *	10/2011	Honda	D14/126
D655,690 S *	3/2012	Yagi	D14/214
D659,677 S *	5/2012	Kim et al.	D14/214
D661,280 S *	6/2012	Asaka et al.	D14/172
D672,749 S *	12/2012	Onoue	D14/214
D711,852 S *	8/2014	Mackiewicz et al.	D14/214
D715,769 S *	10/2014	McManigal	D14/214
D716,756 S *	11/2014	Kim et al.	D14/204
D718,738 S *	12/2014	Michael et al.	D14/214
D719,119 S *	12/2014	Park et al.	D14/126

* cited by examiner

Primary Examiner — Randall Gholson

(74) *Attorney, Agent, or Firm* — Birch, Stewart, Kolasch & Birch, LLP

(57) **CLAIM**

The ornamental design for a speaker for TV receiver, as shown and described.

DESCRIPTION

FIG. 1 is a front, right side, perspective view of a speaker for TV receiver showing our new design;
FIG. 2 is a front view thereof;
FIG. 3 is a rear view thereof;
FIG. 4 is a left side view thereof;
FIG. 5 is a right side view thereof;
FIG. 6 is a top view thereof;
FIG. 7 is a bottom view thereof; and,
FIG. 8 is a front, right side, perspective view with the TV receiver in use state thereof.

The broken lines depict portions of the speaker for TV receiver that form no part of the claimed design.

1 Claim, 7 Drawing Sheets

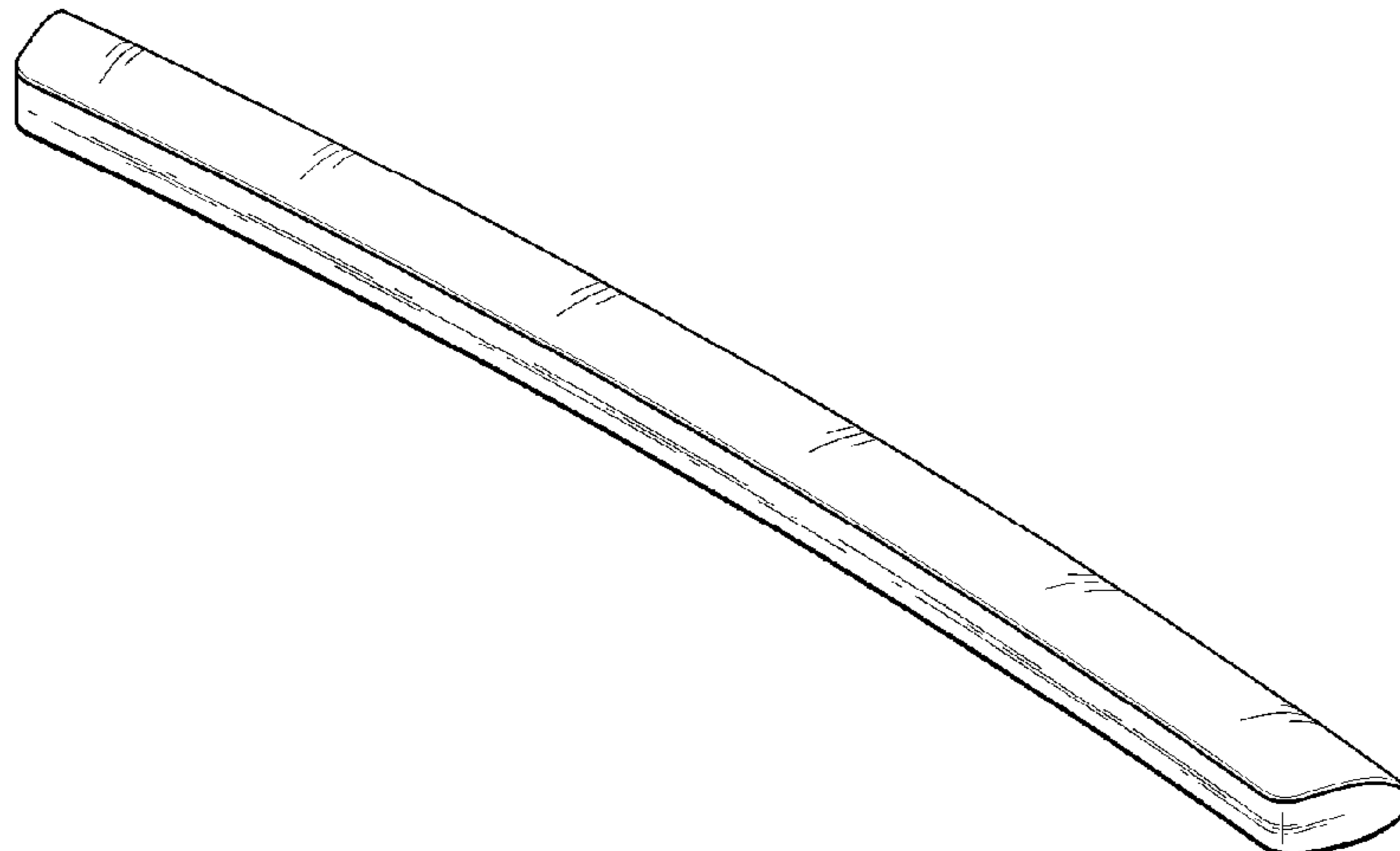


FIG. 1

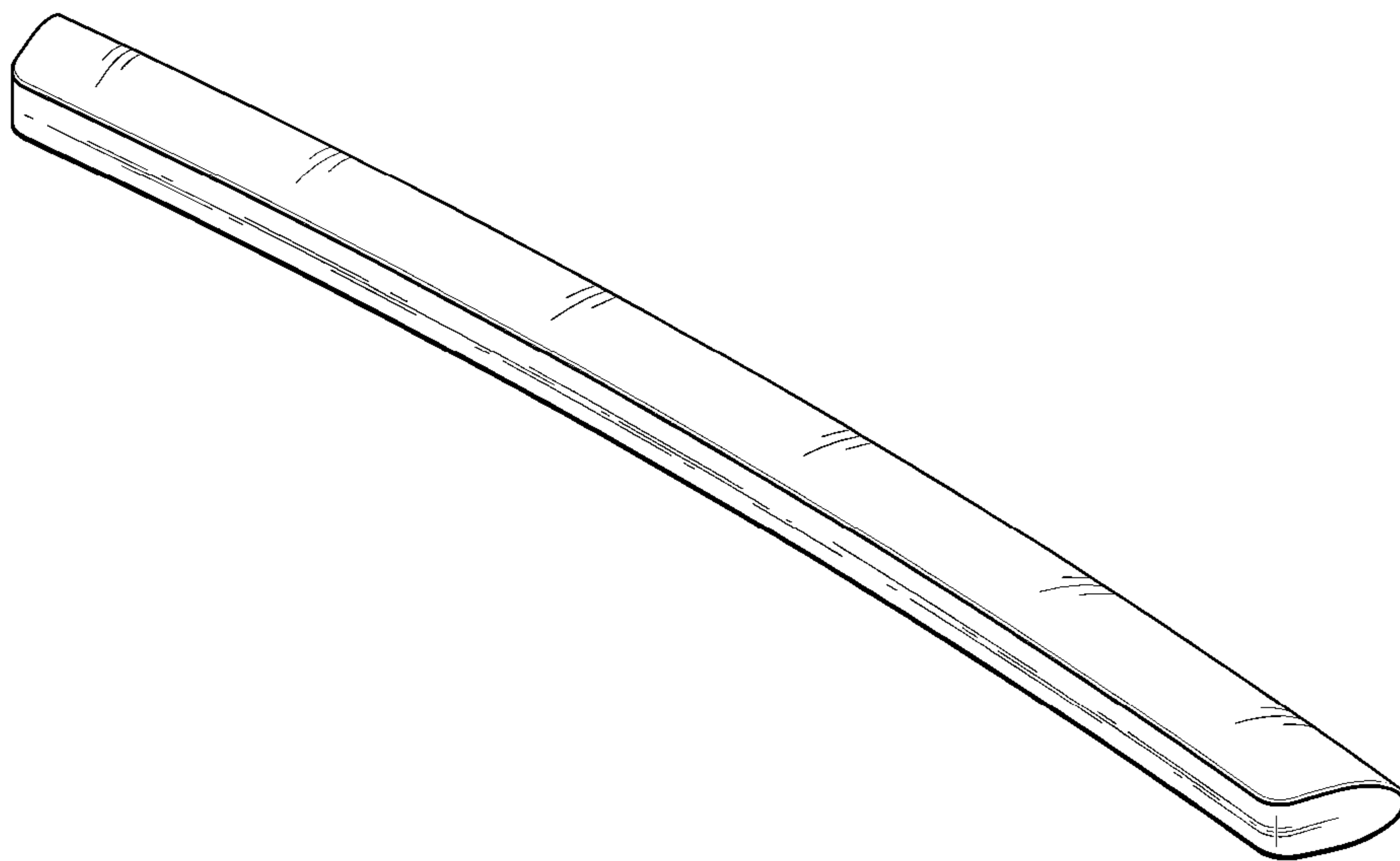


FIG. 2

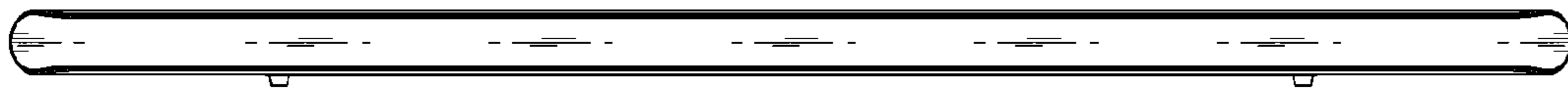


FIG. 3

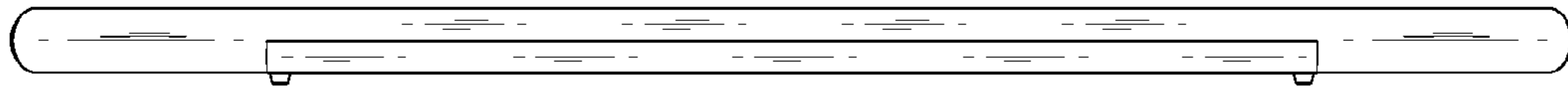


FIG. 4



FIG. 5



FIG. 6



FIG. 7

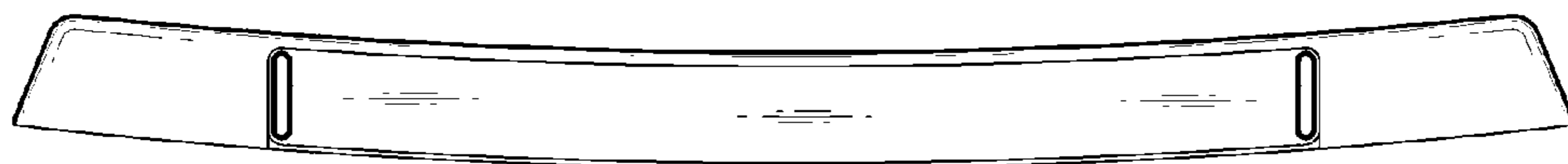


FIG. 8

