



US00D742364S

(12) **United States Design Patent**
Reinhertz et al.

(10) **Patent No.:** **US D742,364 S**

(45) **Date of Patent:** **** Nov. 3, 2015**

(54) **STAND FOR TV RECEIVER**

(71) Applicant: **Samsung Electronics Co., Ltd.**,
Suwon-si (KR)

(72) Inventors: **Noah Murphy Reinhertz**, San
Francisco, CA (US); **Dan Snyder**, San
Francisco, CA (US); **Liam Adelman**,
San Francisco, CA (US); **Donghee Won**,
Seoul (KR); **Yves Behar**, San Francisco,
CA (US)

(73) Assignee: **Samsung Electronics Co., Ltd.**,
Suwon-si (KR)

(**) Term: **14 Years**

(21) Appl. No.: **29/503,481**

(22) Filed: **Sep. 26, 2014**

(30) **Foreign Application Priority Data**

Mar. 25, 2014 (KR) 30-2014-0014923

(51) **LOC (10) Cl.** **14-03**

(52) **U.S. Cl.**
USPC **D14/239**

(58) **Field of Classification Search**

USPC D14/239, 211, 238, 251, 253, 371–382,
D14/125–129, 336, 337, 447, 448, 451, 452,
D14/492, 450; 341/12; 345/104, 156, 168,
345/173; 348/180, 184, 325, 739; 349/1, 2,
349/11, 62; 361/679.05–679.07, 679.21;
D6/300, 310–313, 308, 708

CPC ... G06F 1/1601; G06F 1/1643; H05K 5/0004;
H05K 5/0017; H05K 5/02; H05K 5/0217

See application file for complete search history.

(56) **References Cited**

U.S. PATENT DOCUMENTS

D535,265 S * 1/2007 Inoue D14/126

D621,375 S * 8/2010 Nagase D14/126
D670,257 S * 11/2012 Yang et al. D14/126
D680,982 S * 4/2013 Lee et al. D14/126
D699,699 S * 2/2014 Park et al. D14/126
D699,713 S * 2/2014 Seong D14/239

* cited by examiner

Primary Examiner — Randall Gholson
(74) *Attorney, Agent, or Firm* — NSIP Law

(57) **CLAIM**

We claim the ornamental design for a stand for TV receiver, as shown and described.

DESCRIPTION

FIG. 1 is a front perspective view of a stand for TV receiver showing our new design;

FIG. 2 is a front view thereof;

FIG. 3 is a rear view thereof;

FIG. 4 is a left-side view thereof;

FIG. 5 is a right-side view thereof;

FIG. 6 is a top view thereof;

FIG. 7 is a bottom view thereof;

FIG. 8 is another front view, in which a TV receiver in dot-dot-dash broken lines is provided to illustrate an example environment; and,

FIG. 9 is a front perspective view of FIG. 8.

The evenly spaced broken lines in the figures show unclaimed portions of the stand for TV receiver and form no part of the claimed design.

The dot-dash broken lines in FIGS. 1 to 5 define the bounds of the claimed design and form no part of the claimed design.

The dot-dot-dash broken lines showing of the TV receiver in FIGS. 8 and 9 are for the purpose of illustrating environmental structure and form no part of the claimed design.

1 Claim, 9 Drawing Sheets

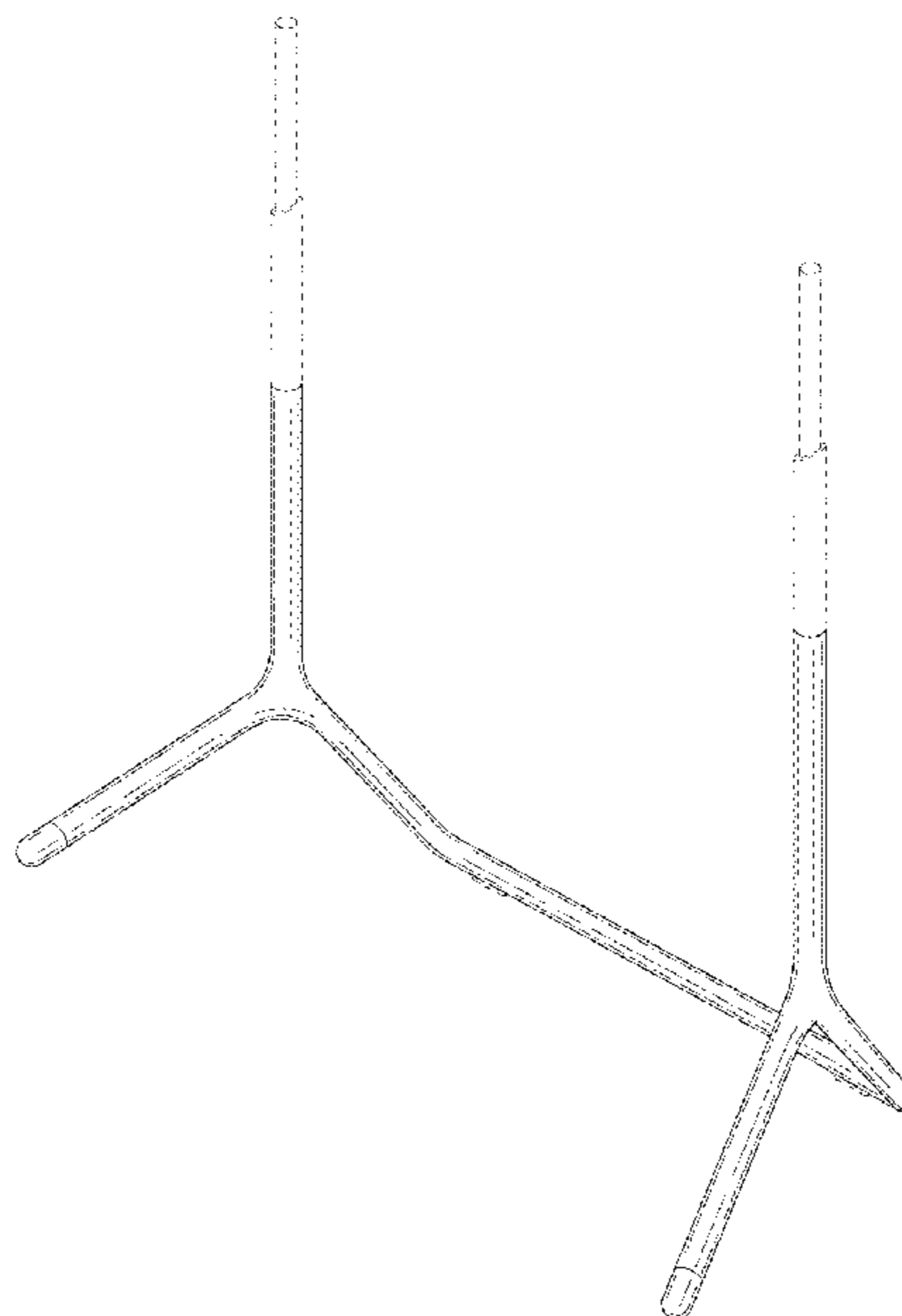


FIG. 1

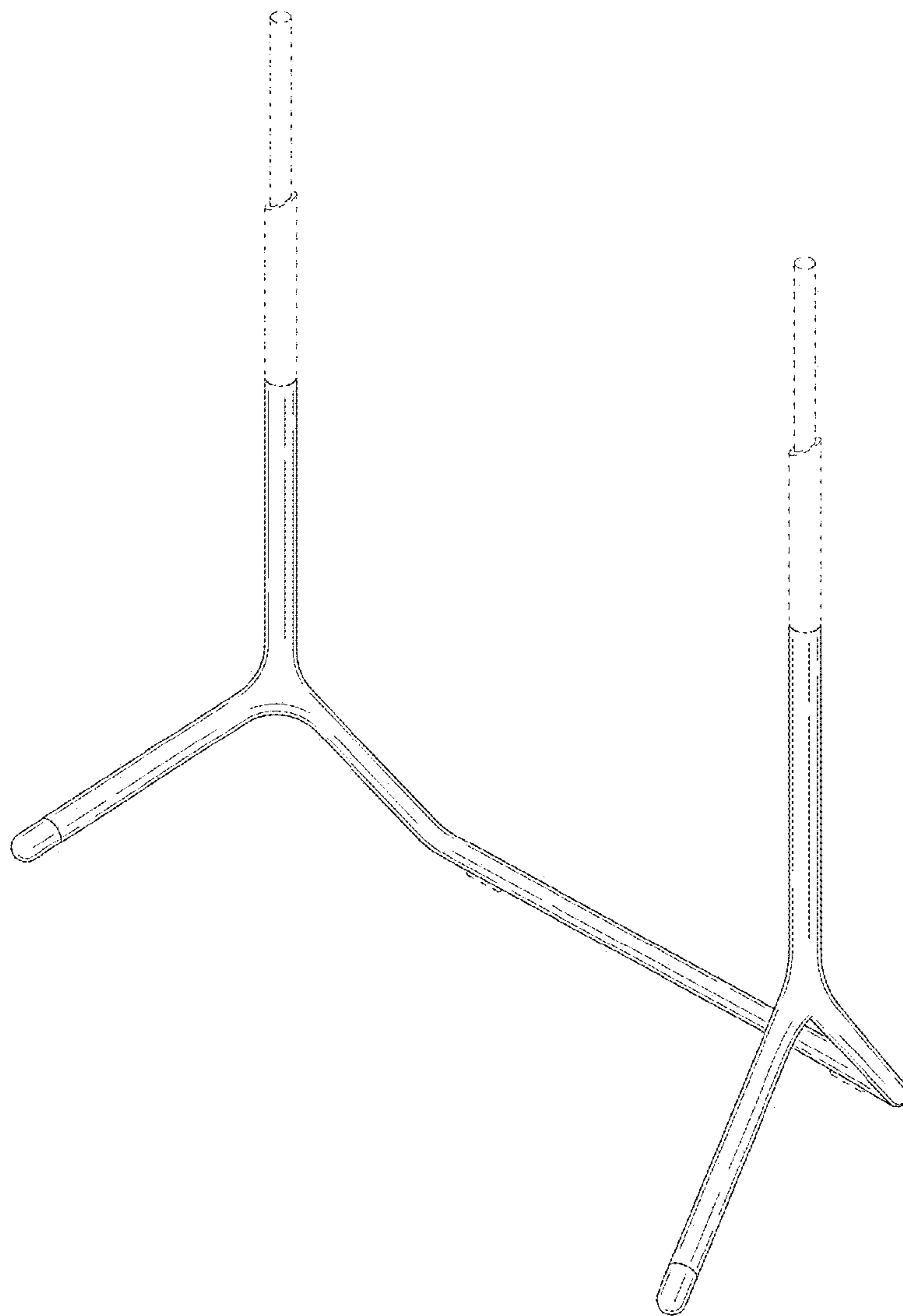


FIG. 2

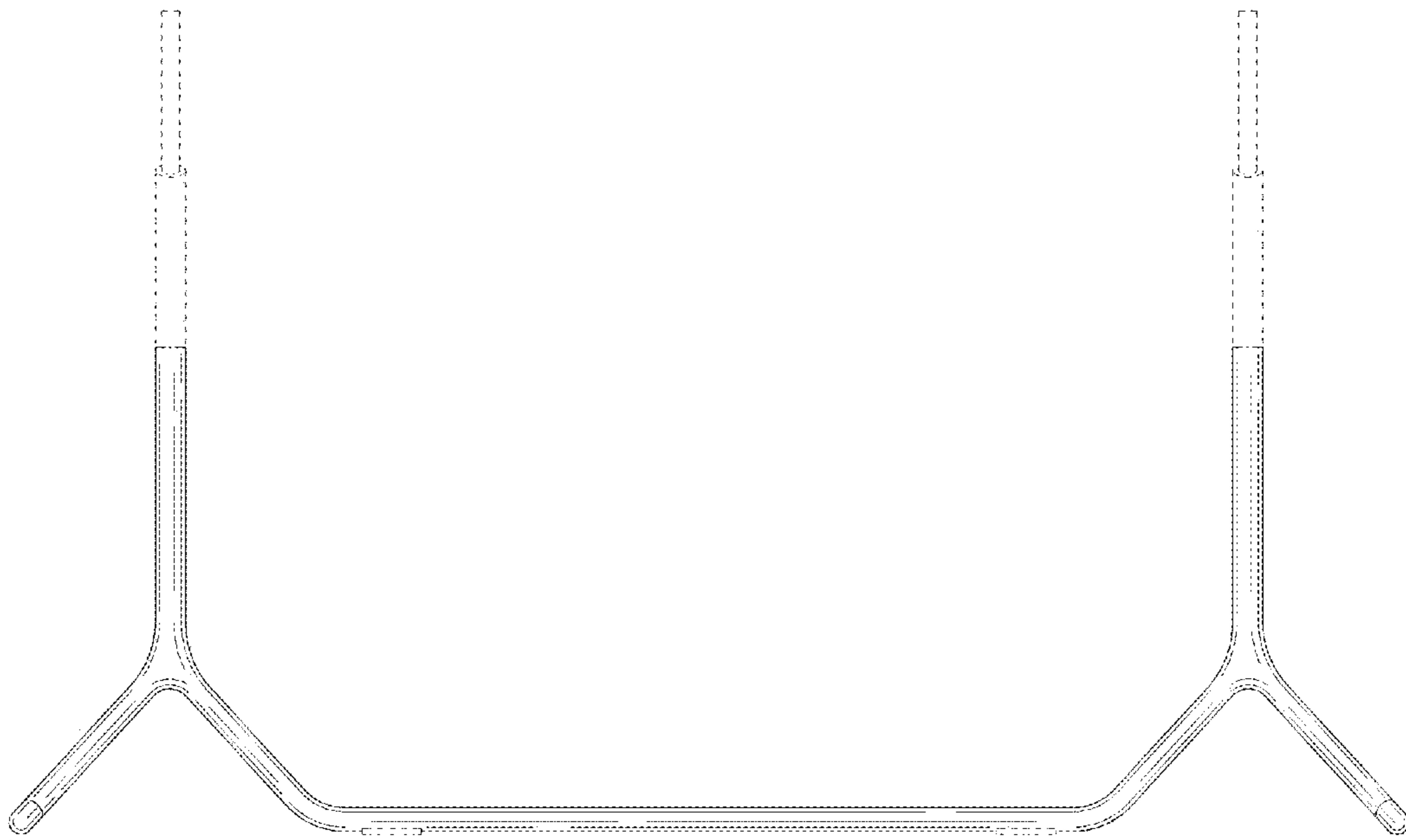


FIG. 3

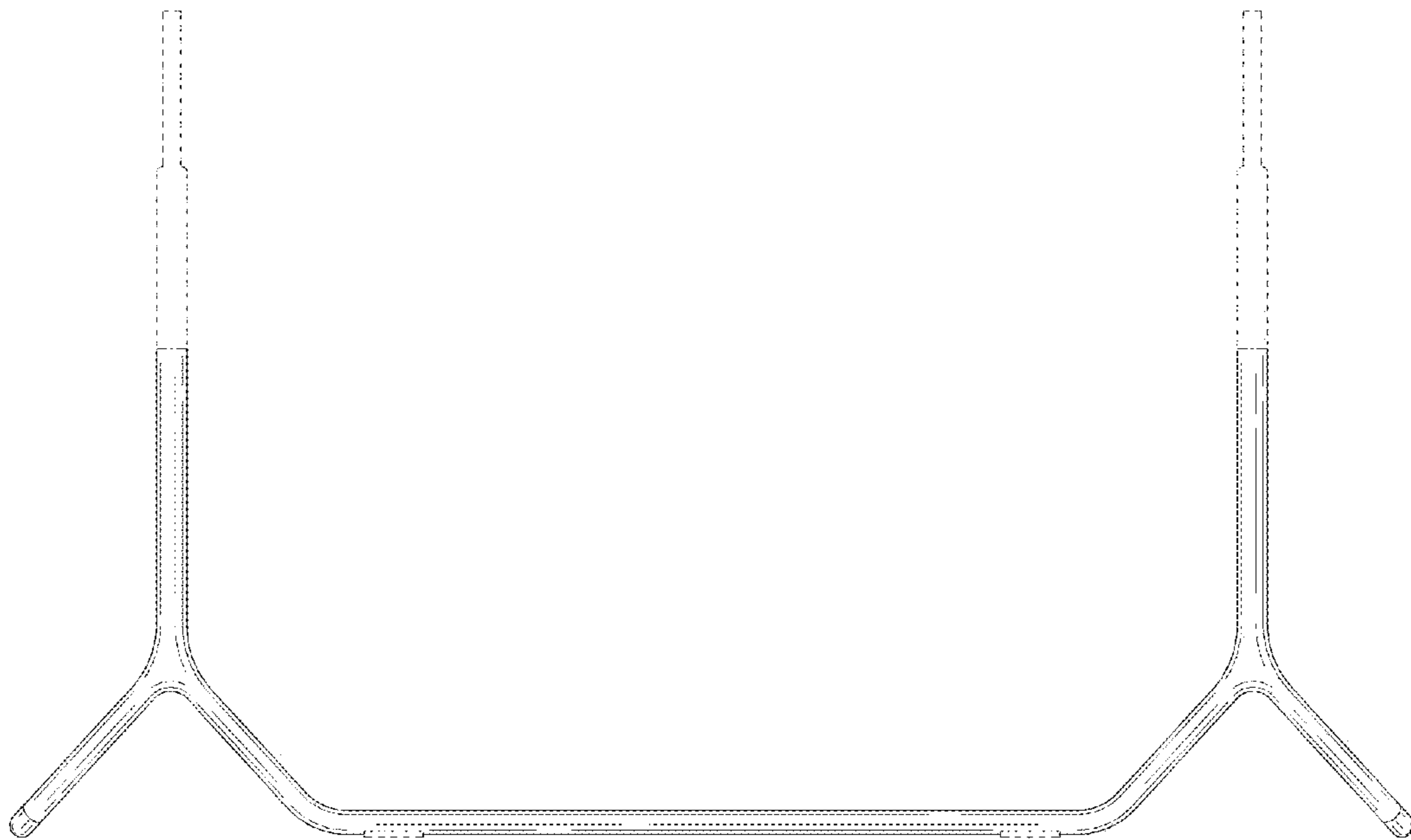


FIG. 4

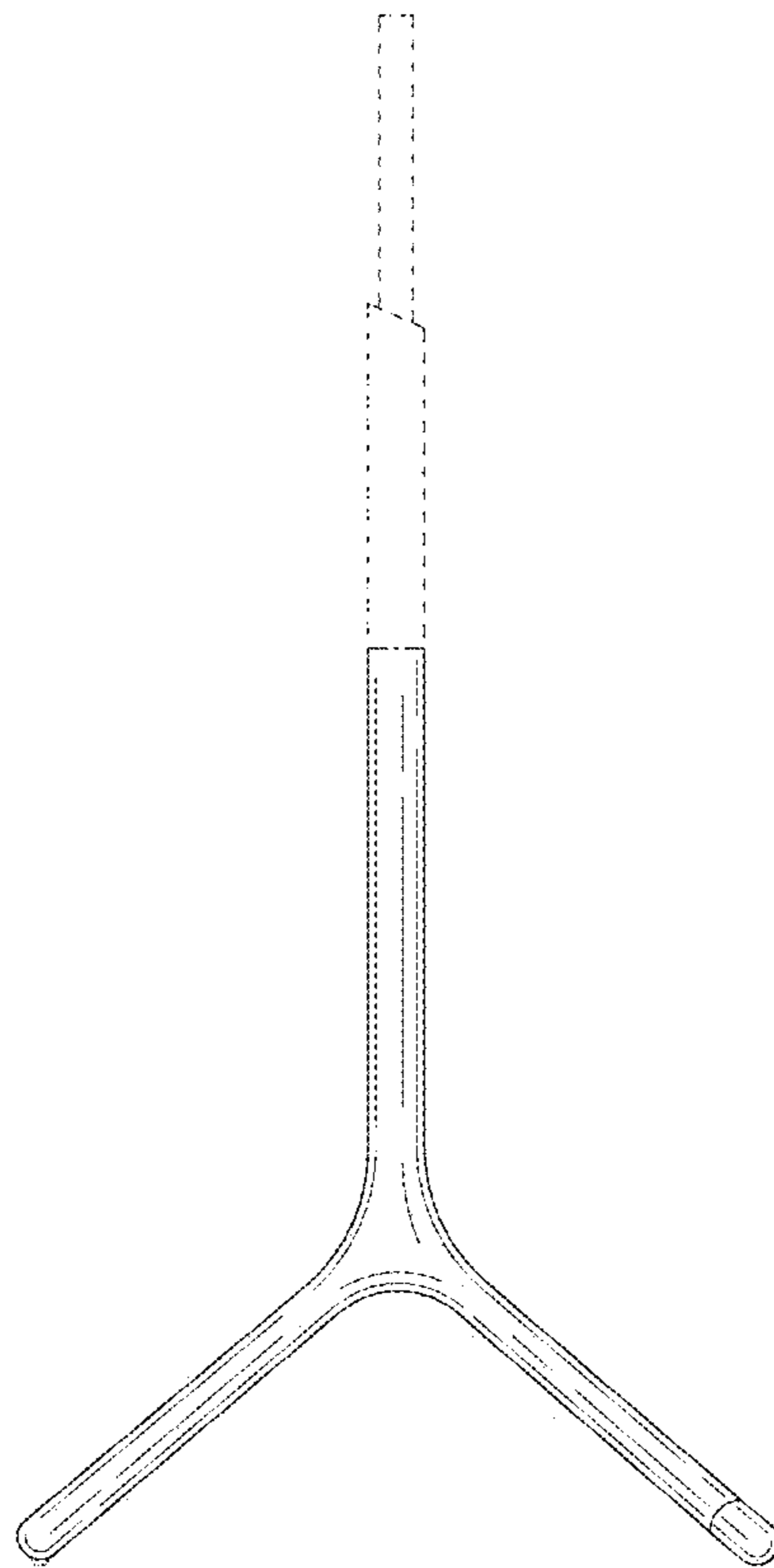


FIG. 5

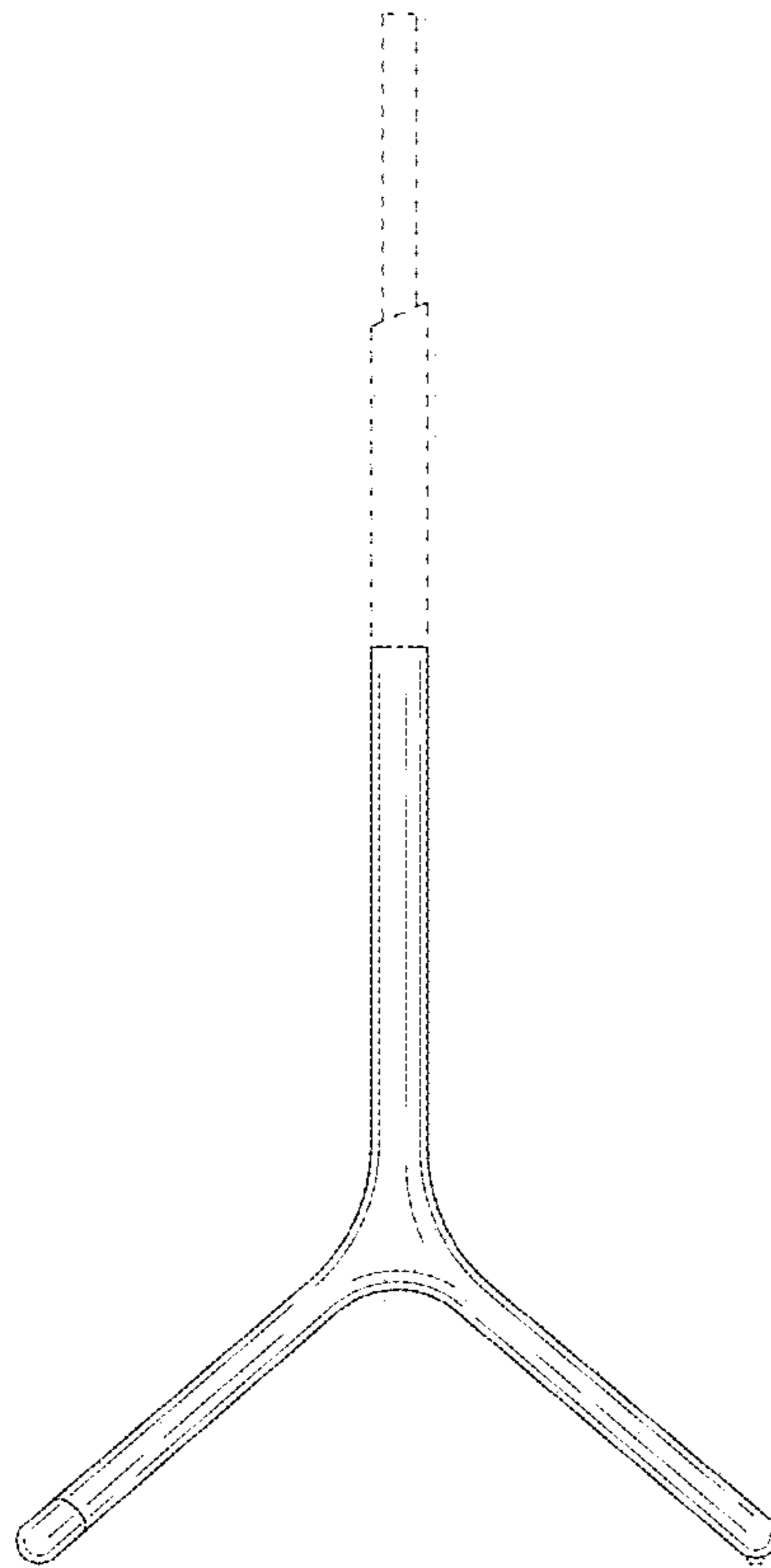


FIG. 6



FIG. 7



FIG. 8

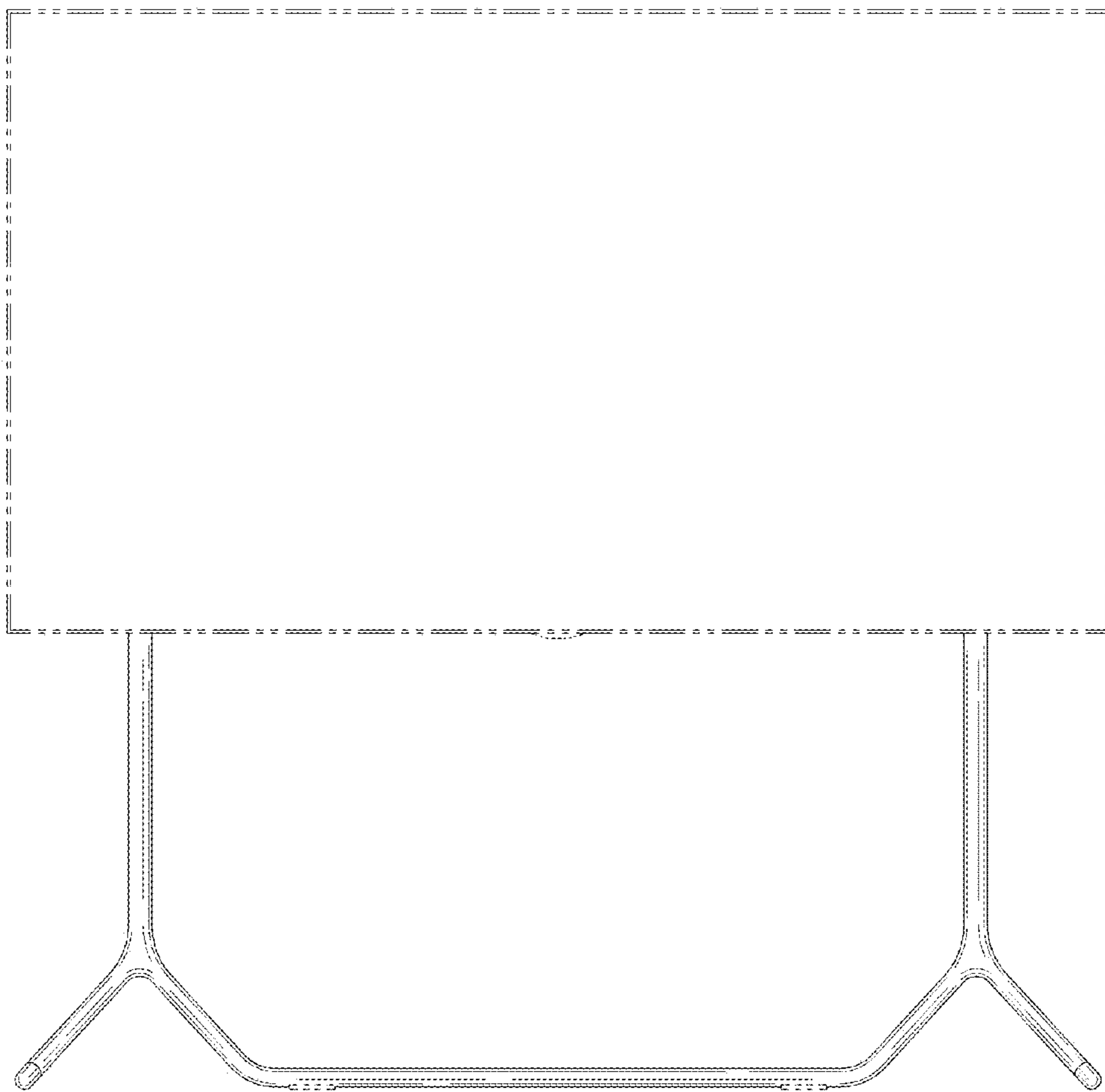


FIG. 9

