



US00D742359S

(12) **United States Design Patent**
Zhao

(10) **Patent No.:** **US D742,359 S**

(45) **Date of Patent:** **** Nov. 3, 2015**

(54) **BLUETOOTH SHOWER SPEAKER**

(71) Applicant: **Baohua Zhao**, Shenzhen (CN)

(72) Inventor: **Baohua Zhao**, Shenzhen (CN)

(**) Term: **14 Years**

(21) Appl. No.: **29/477,686**

(22) Filed: **Dec. 25, 2013**

(51) **LOC (10) Cl.** **14-03**

(52) **U.S. Cl.**
USPC **D14/216**

(58) **Field of Classification Search**

USPC D14/167, 168, 170–172, 188, 194–196,
D14/204, 207, 209.1, 210–216, 219, 221,
D14/222, 224, 496; 181/143, 144, 147, 148,
181/150, 153, 157, 198, 199; 381/300–303,
381/306, 332, 333, 336, 345, 361–364,
381/386–388; 369/6–12; D10/52, 53,
D10/55–57

CPC B60R 11/0217; G06F 1/1688; H04M 1/03;
H04M 1/035; H04R 1/02; H04R 1/06; H04R
1/021; H04R 1/025; H04R 1/026; H04R
1/028; H04R 1/105; H04R 1/323; H04R
1/403; H04R 1/2803; H04R 1/2834; H04R
5/02; H04R 7/20; H04R 9/06; H04R 9/025;
H04R 2201/021; H04R 2400/00; H04R
2400/07; H04R 2499/11; H04R 2499/13;
H04R 2499/15; H04S 3/00; H04S 7/30

See application file for complete search history.

(56) **References Cited**

U.S. PATENT DOCUMENTS

D432,516 S *	10/2000	Chen	D14/170
D437,842 S *	2/2001	Chen	D14/194
D474,169 S *	5/2003	Fletcher	D14/159
D495,679 S *	9/2004	Chen	D14/171
D503,166 S *	3/2005	Tse	D14/171
D587,240 S *	2/2009	Zadro	D14/189
D602,911 S *	10/2009	Wang et al.	D14/216
D635,956 S *	4/2011	Zadro	D14/197
D641,342 S *	7/2011	Chang	D14/240
D643,022 S *	8/2011	Hou	D14/216
D651,216 S *	12/2011	Pail	D14/496
D671,528 S *	11/2012	Fathollahi	D14/216
D682,805 S *	5/2013	Rath	D14/149
D698,753 S *	2/2014	Yiu et al.	D14/216
D719,138 S *	12/2014	Schwartz	D14/216

* cited by examiner

Primary Examiner — Keli L Hill

(74) *Attorney, Agent, or Firm* — Novoclaims Patent Services LLC; Mei Lin Wong

(57) **CLAIM**

The ornamental design for a bluetooth shower speaker, as shown and described.

DESCRIPTION

FIG. 1 is a perspective view of a bluetooth shower speaker showing my new design.

FIG. 2 is a front view thereof.

FIG. 3 is a rear view thereof.

FIG. 4 is a right end view thereof.

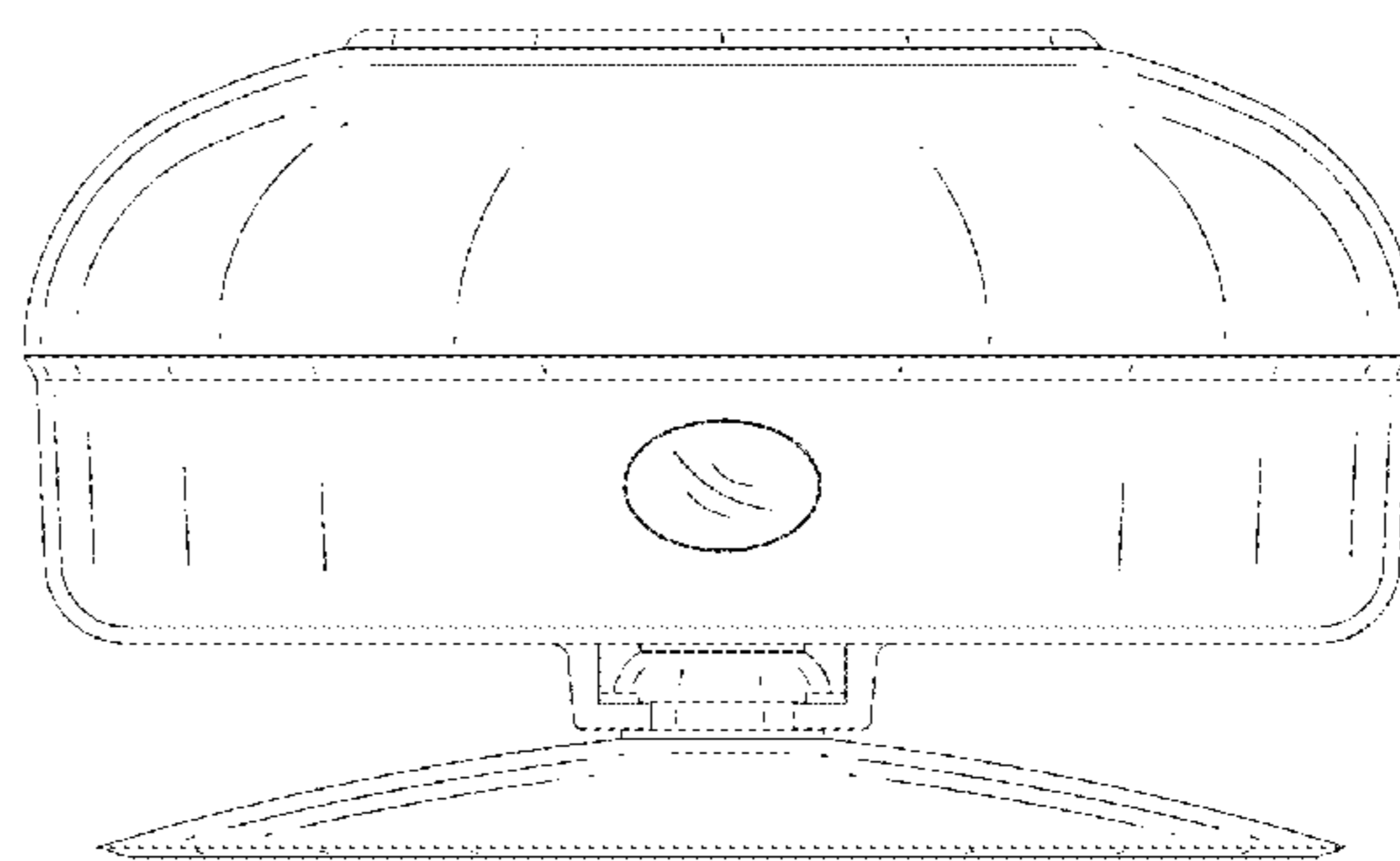
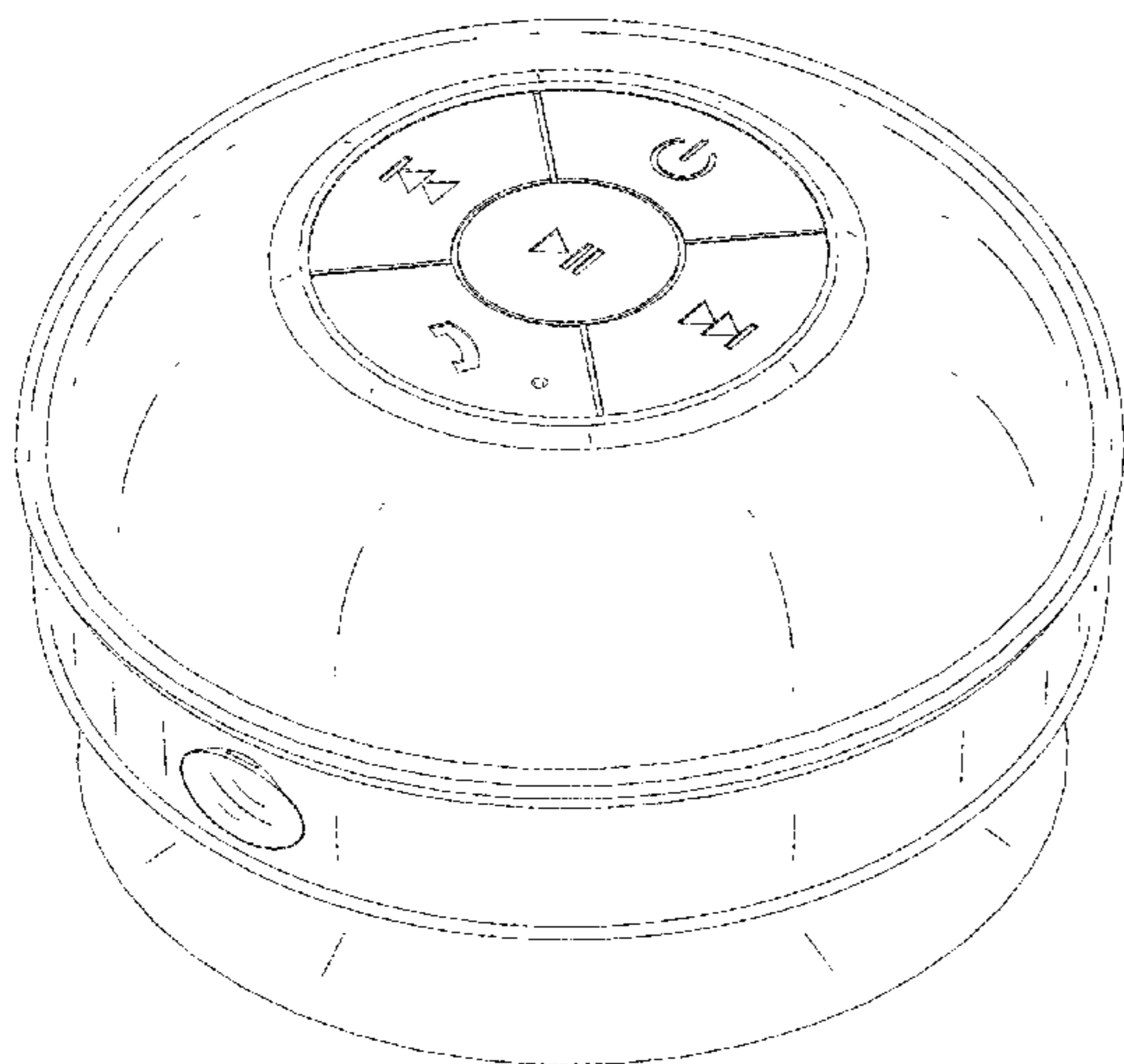
FIG. 5 is a left end view thereof.

FIG. 6 is a top view thereof; and,

FIG. 7 is a bottom view thereof.

The broken lines in FIG. 7 depict a portion of the bluetooth shower speaker that forms no part of the claimed design.

1 Claim, 7 Drawing Sheets



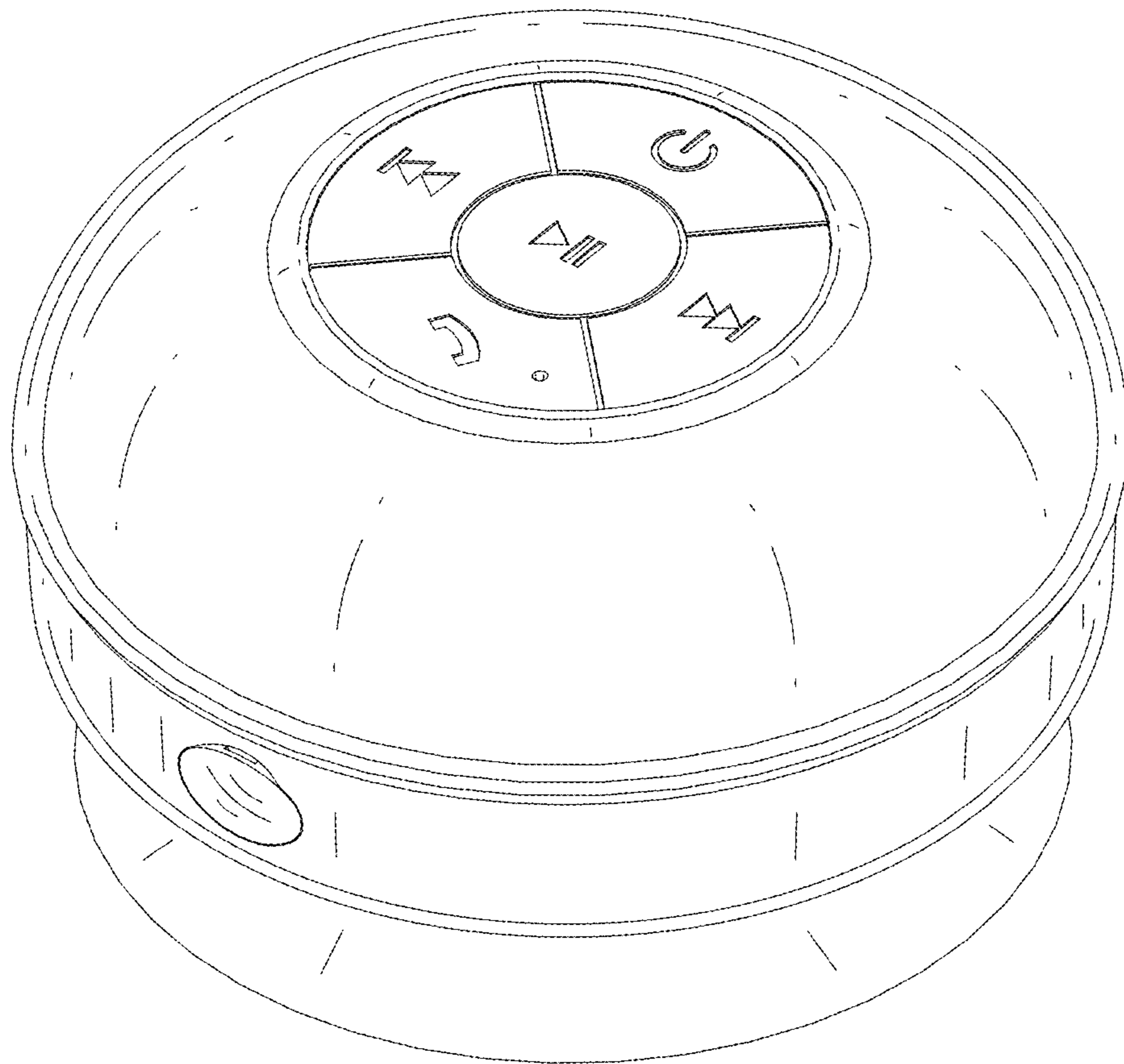


FIG.1

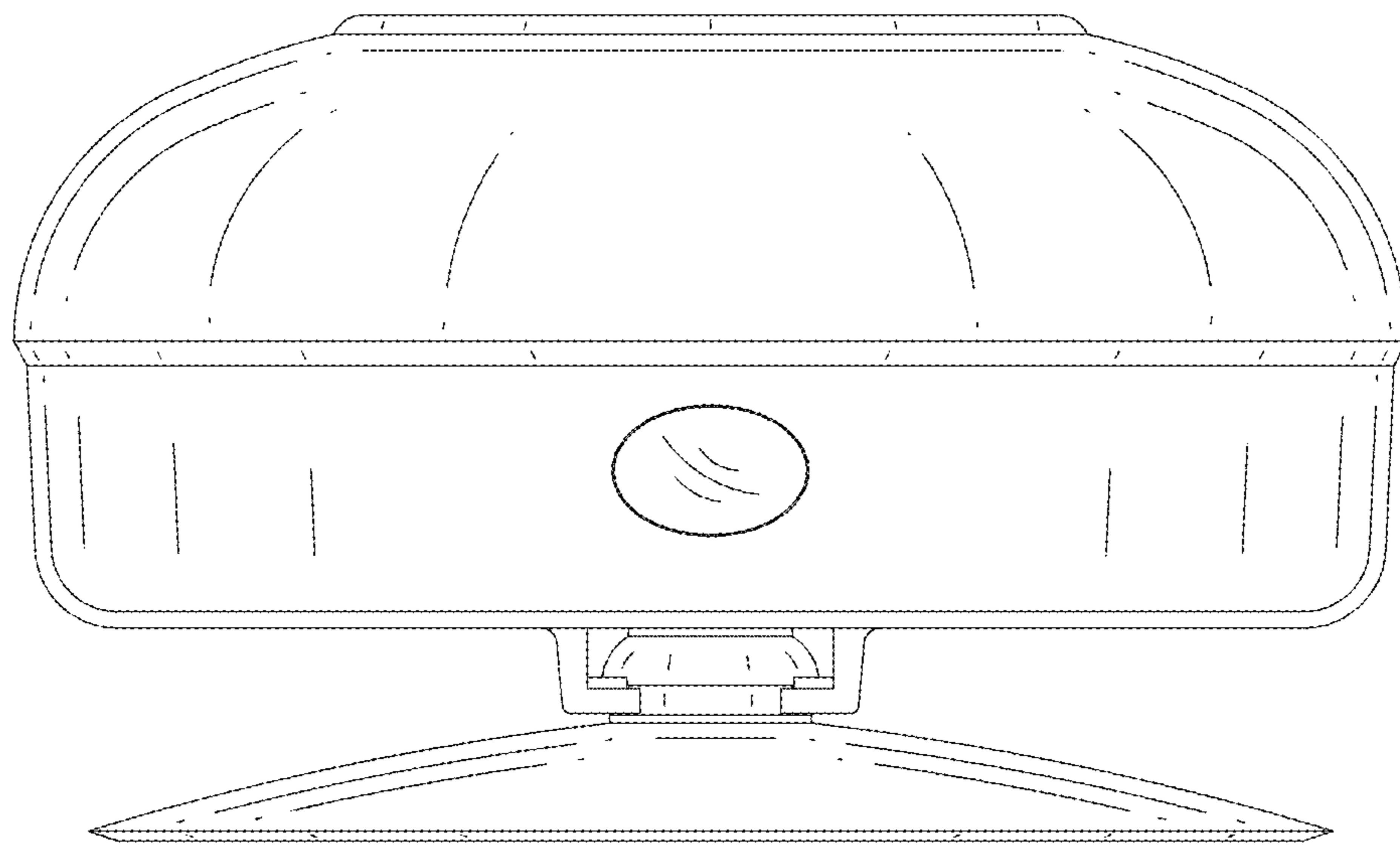


FIG. 2

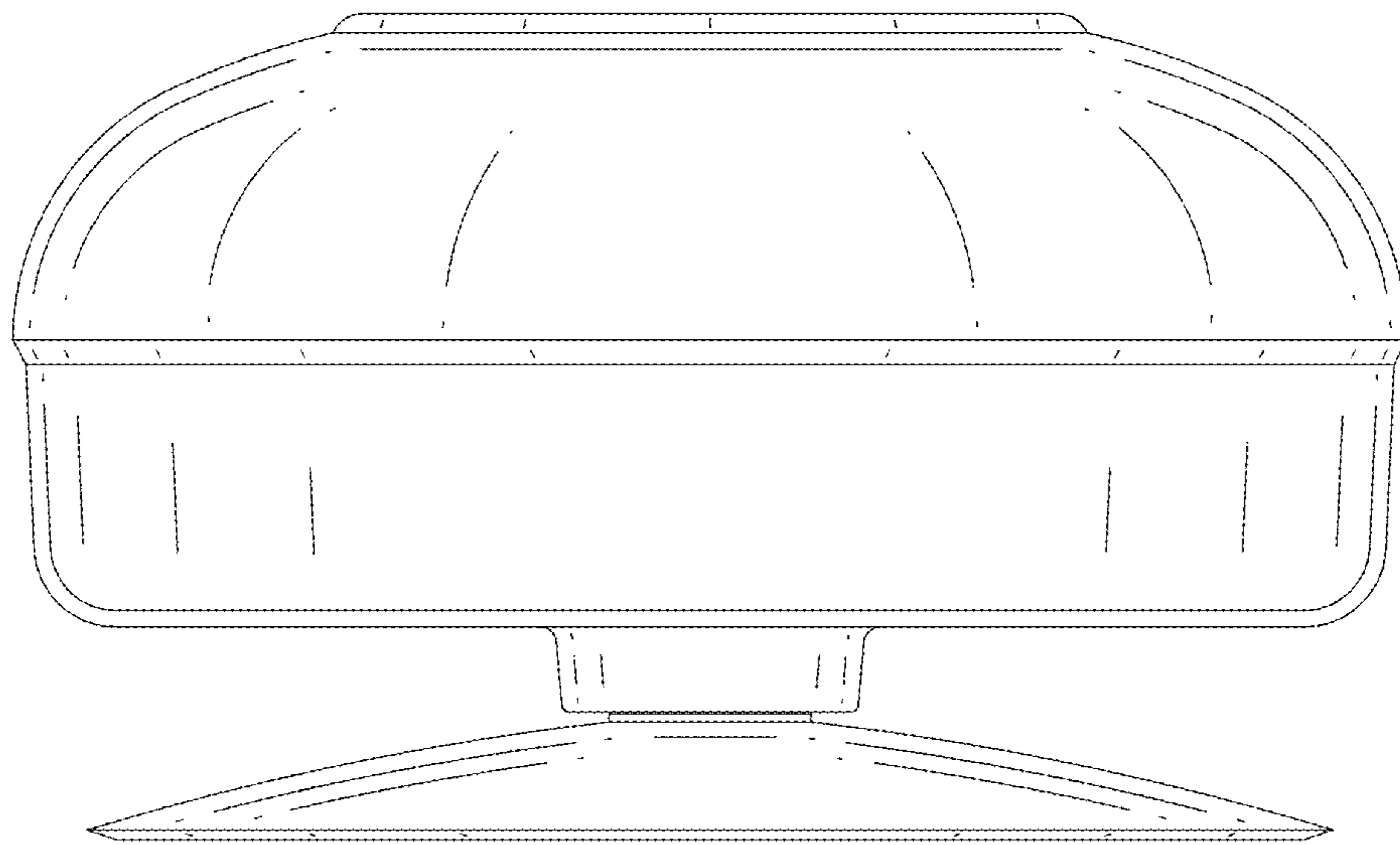


FIG.3

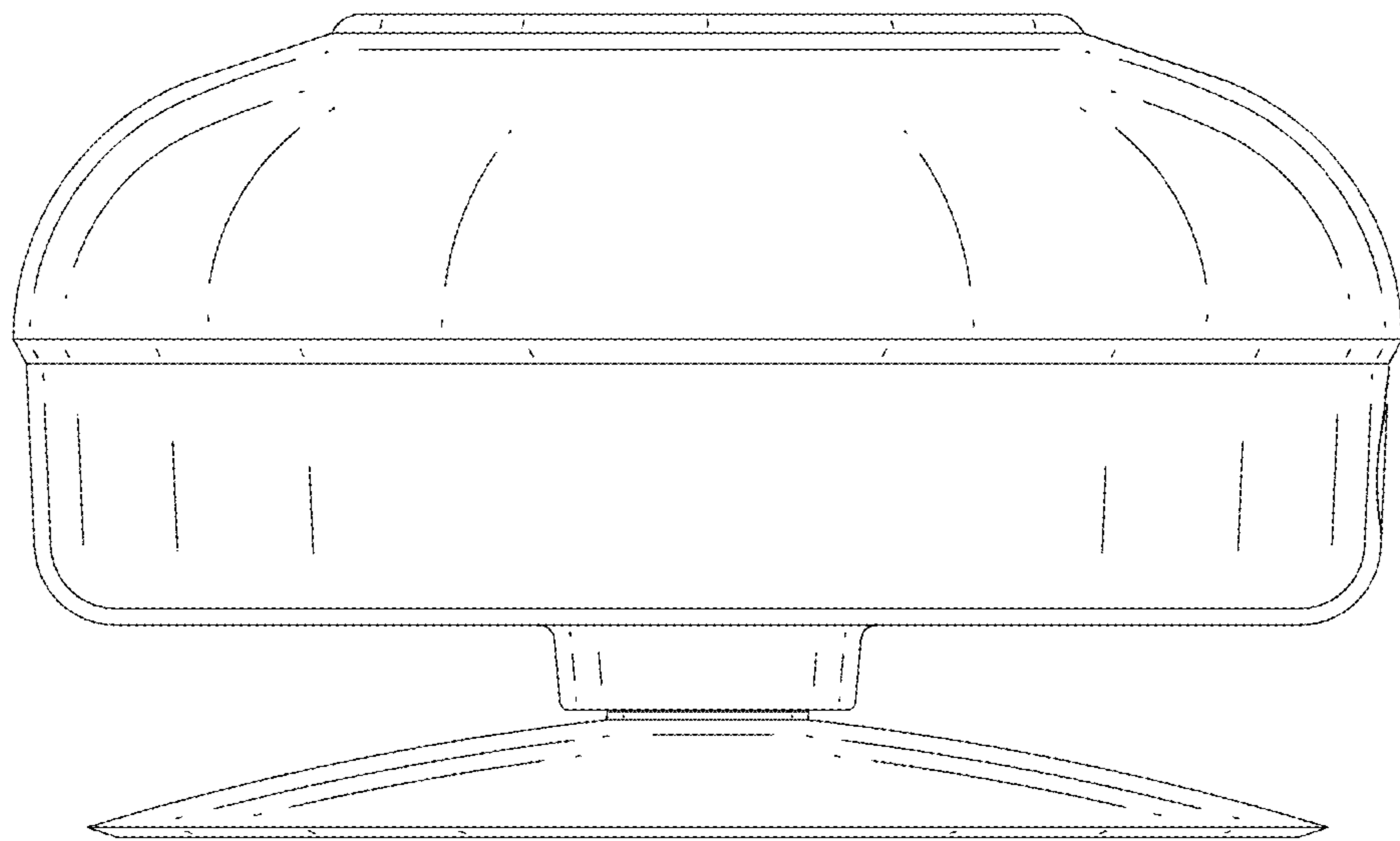


FIG.4

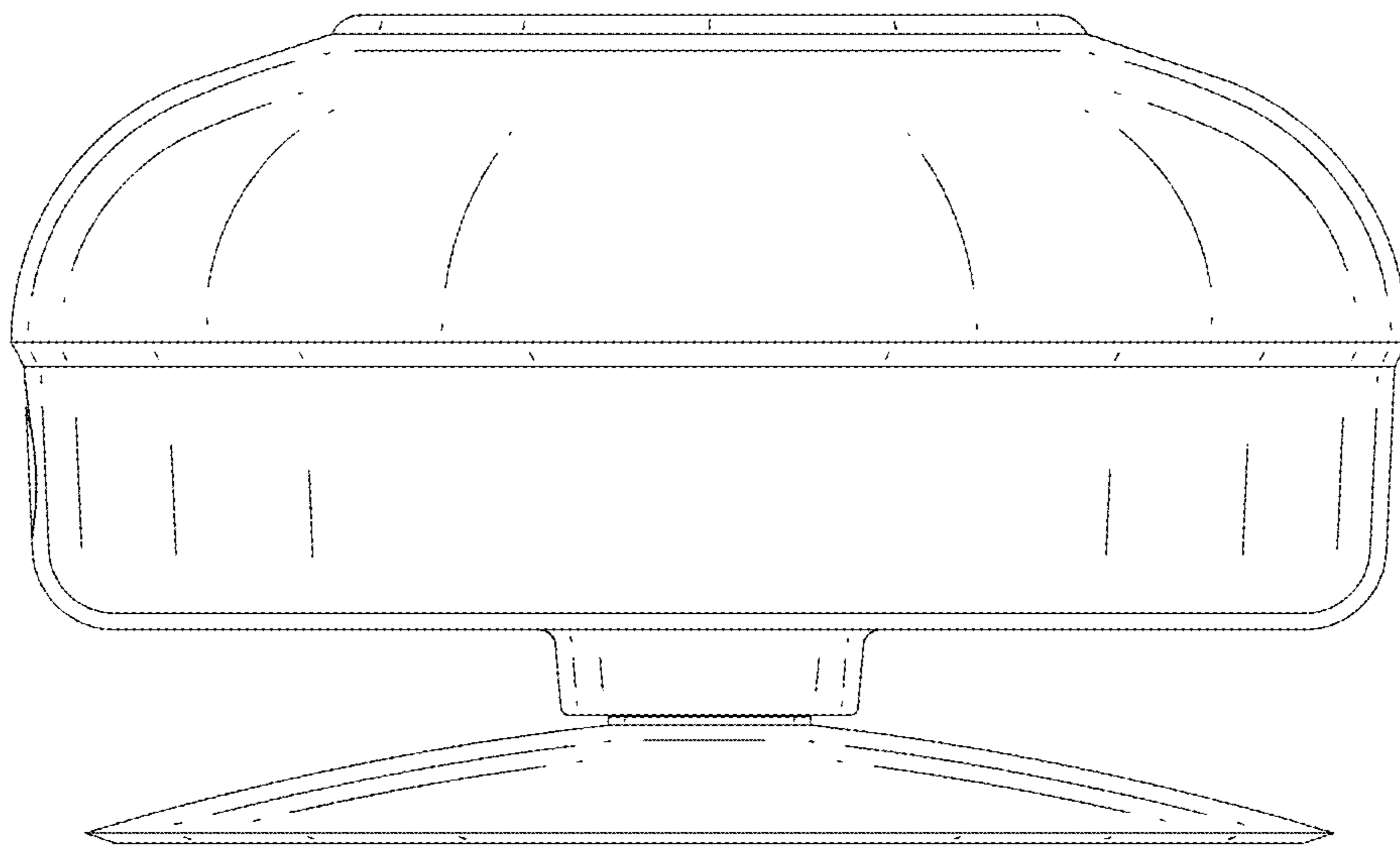


FIG. 5

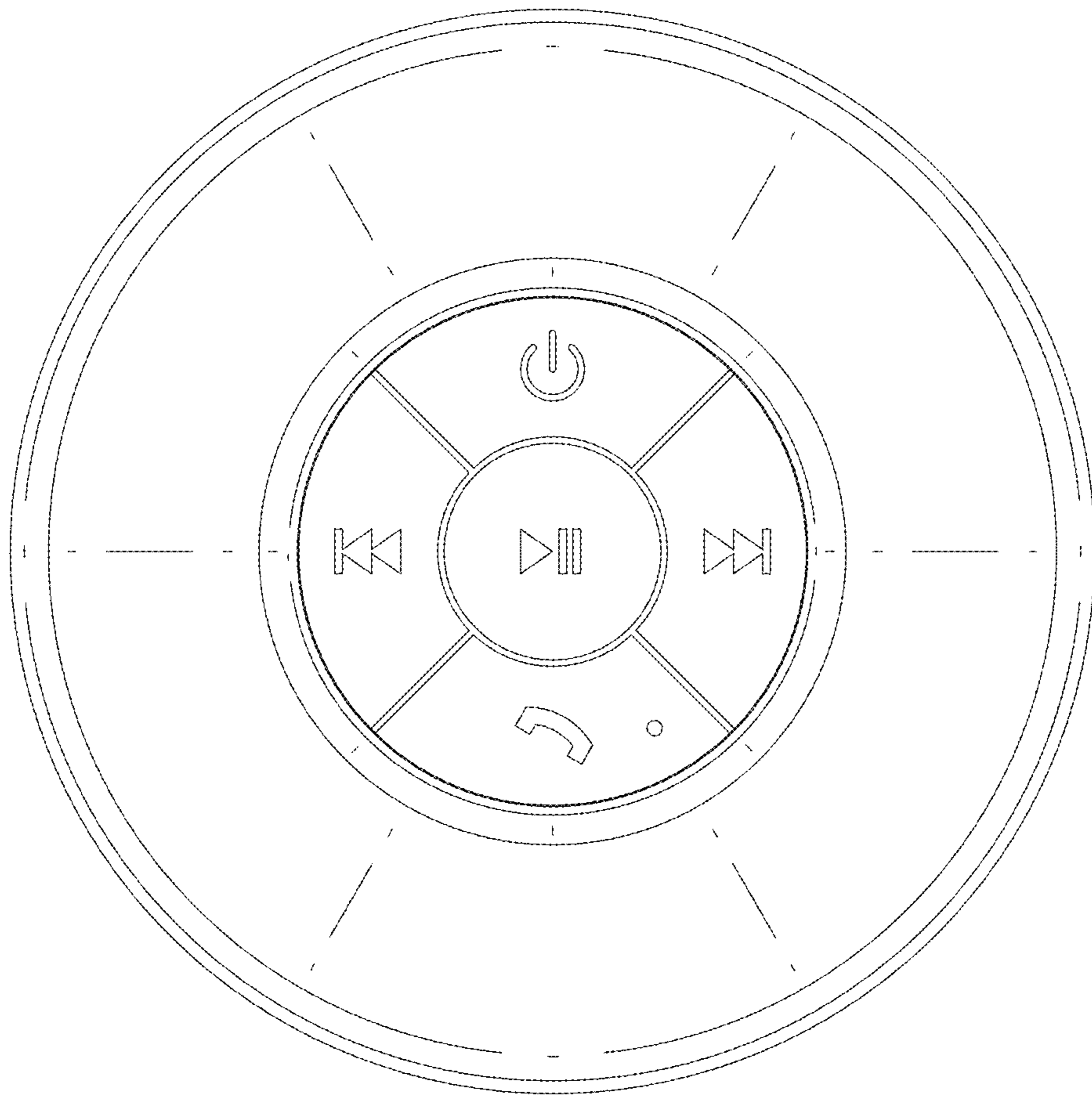


FIG.6

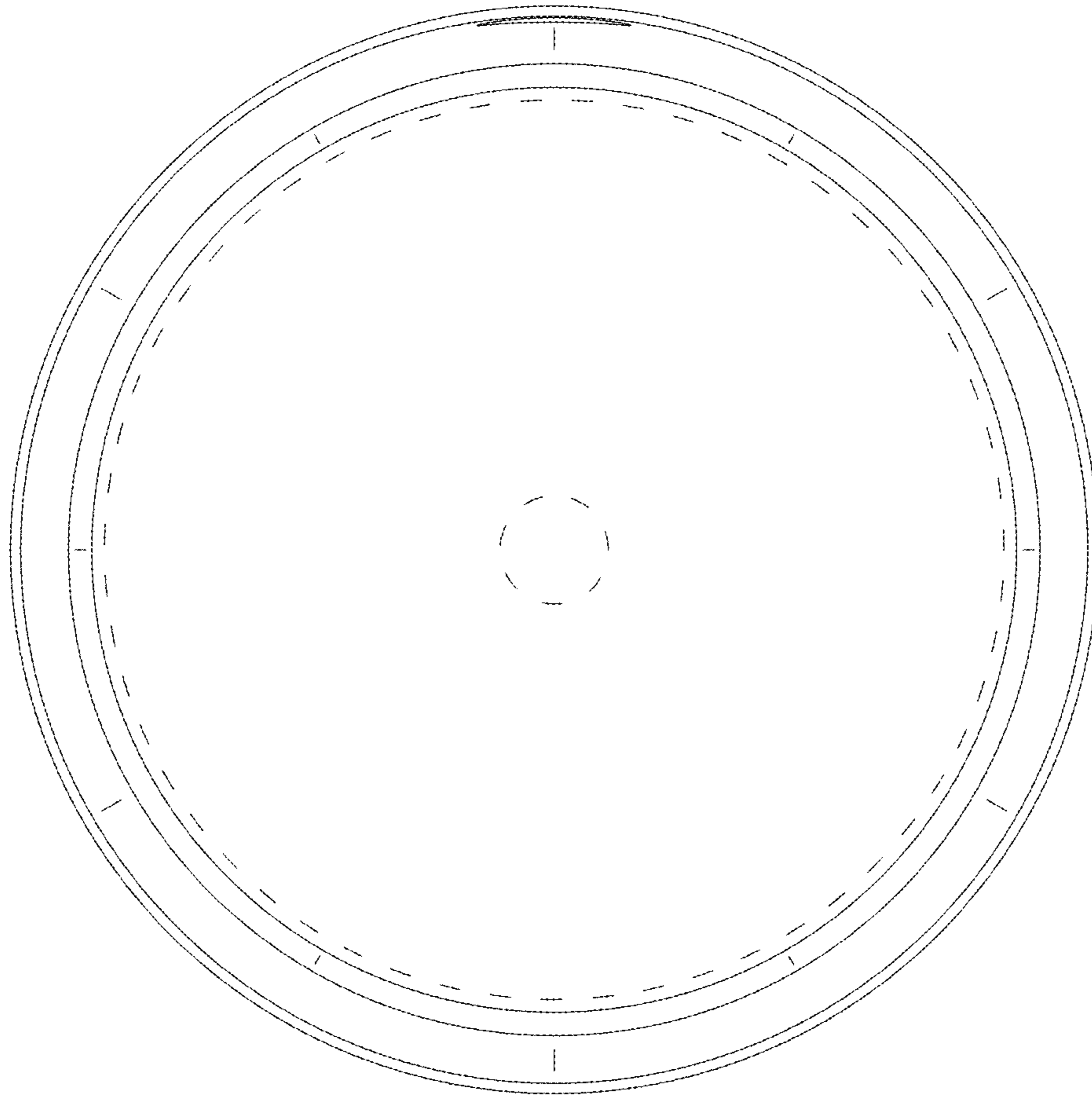


FIG.7