



US00D742358S

(12) **United States Design Patent**
Alves et al.

(10) **Patent No.:** **US D742,358 S**
(45) **Date of Patent:** **** Nov. 3, 2015**

(54) **WIRELESS MOBILE SPEAKER**

(71) Applicant: **SCOSCHE INDUSTRIES, INC.**,
Oxnard, CA (US)

(72) Inventors: **Kasidy Alves**, Oxnard, CA (US);
Christopher Michael McSweyn,
Oxnard, CA (US); **Mark Larson**,
Camarillo, CA (US)

(73) Assignee: **SCOSCHE INDUSTRIES, INC.**,
Oxnard, CA (US)

(**) Term: **14 Years**

(21) Appl. No.: **29/470,699**

(22) Filed: **Oct. 24, 2013**

(51) **LOC (10) Cl.** **14-03**

(52) **U.S. Cl.**
USPC **D14/216**

(58) **Field of Classification Search**
USPC D14/167, 168, 170-172, 188, 194-196,
D14/204, 207, 209.1, 210-216, 219, 221,
D14/222, 224, 496; 181/143, 144, 147, 148,
181/150, 153, 157, 198, 199; 381/300-303,
381/306, 332, 333, 336, 345, 361-364,
381/386-388; 369/6-12
CPC B60R 11/0217; G06F 1/1688; H04M 1/03;
H04M 1/035; H04R 1/02; H04R 1/06; H04R
1/021; H04R 1/025; H04R 1/026; H04R
1/028; H04R 1/105; H04R 1/323; H04R
1/403; H04R 1/2803; H04R 1/2834; H04R
5/02; H04R 7/20; H04R 9/06; H04R 9/025;
H04R 2201/021; H04R 2400/00; H04R
2400/07; H04R 2499/11; H04R 2499/13;
H04R 2499/15; H04S 3/00; H04S 7/30

See application file for complete search history.

(56) **References Cited**

U.S. PATENT DOCUMENTS

| | | | | | | |
|----------|---|---|---------|----------------|-------|-----------|
| D436,943 | S | * | 1/2001 | Hayashi et al. | | D14/168 |
| D438,860 | S | * | 3/2001 | Darbut et al. | | D14/226 |
| D611,450 | S | * | 3/2010 | Miyazaki | | D14/209.1 |
| D644,206 | S | * | 8/2011 | Ponnert | | D14/216 |
| D676,418 | S | * | 2/2013 | Suzuki | | D14/209.1 |
| D677,244 | S | * | 3/2013 | Funayama | | D14/209.1 |
| D681,604 | S | * | 5/2013 | Funayama | | D14/209.1 |
| D692,861 | S | * | 11/2013 | Paterson | | D14/214 |
| D698,753 | S | * | 2/2014 | Yiu et al. | | D14/216 |
| D706,743 | S | * | 6/2014 | Lukic et al. | | D14/204 |
| D709,118 | S | * | 7/2014 | Yu | | D16/204 |
| D725,076 | S | * | 3/2015 | Wong | | D14/216 |
| D725,077 | S | * | 3/2015 | Wong | | D14/216 |

* cited by examiner

Primary Examiner — Keli L Hill

(74) *Attorney, Agent, or Firm* — Stetina Brunda Garred & Brucker

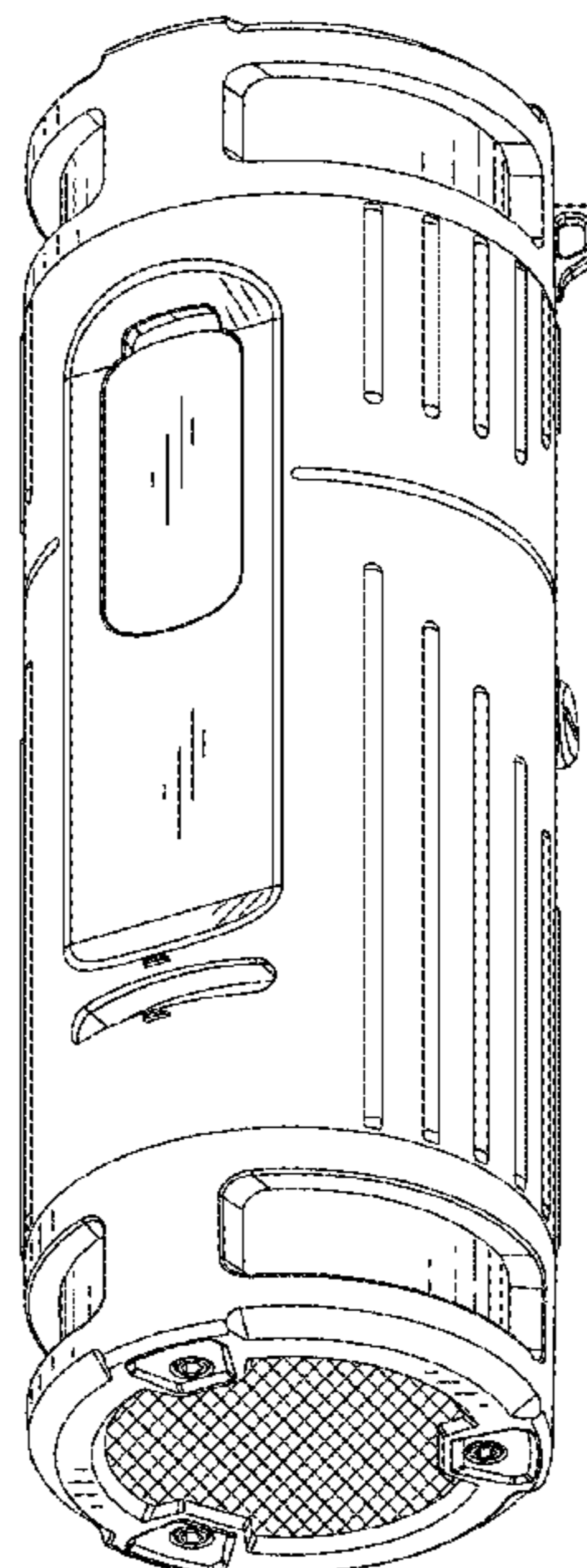
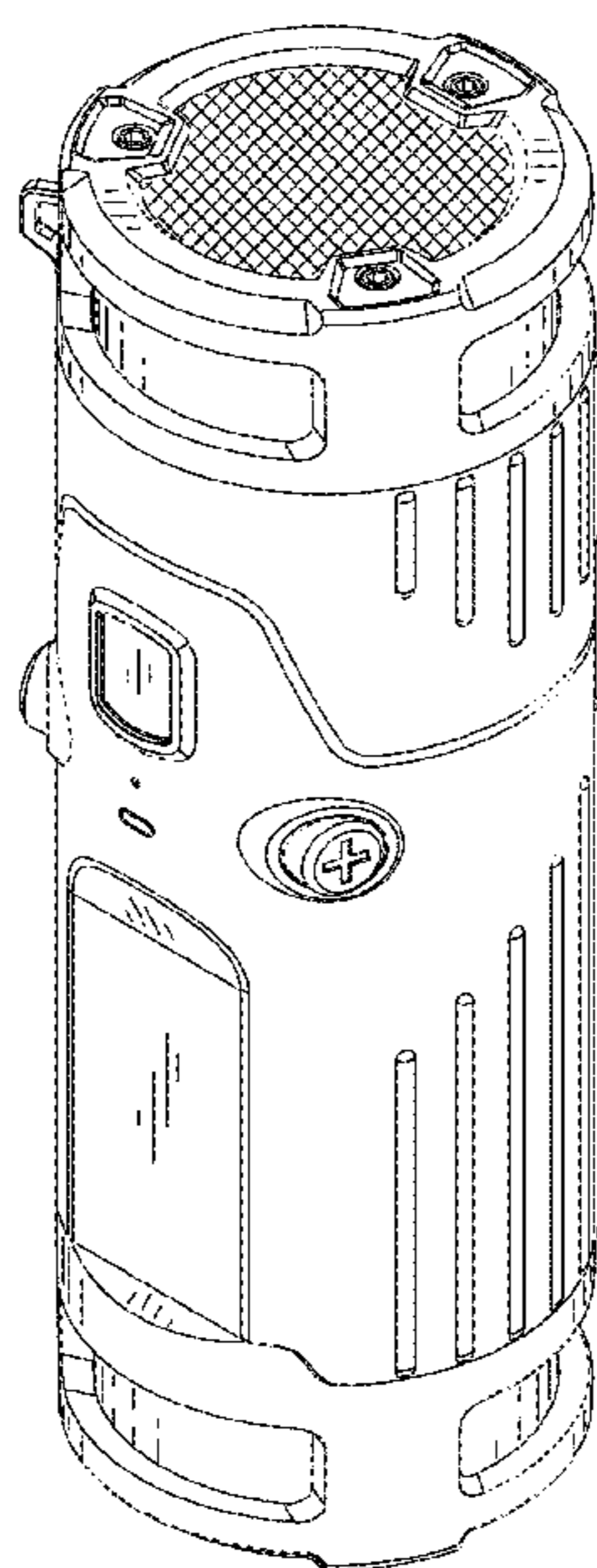
(57) **CLAIM**

The ornamental design for a wireless mobile speaker, as shown and described.

DESCRIPTION

FIG. 1 is a front perspective view of a wireless mobile speaker, embodying our new design;
FIG. 2 is a rear elevation view thereof;
FIG. 3 is a top plan view thereof;
FIG. 4 is a front elevation view thereof;
FIG. 5 is a right side elevation view thereof;
FIG. 6 is a left side elevation view thereof;
FIG. 7 is a rear elevation view thereof; and,
FIG. 8 is a bottom plan view thereof.

1 Claim, 3 Drawing Sheets



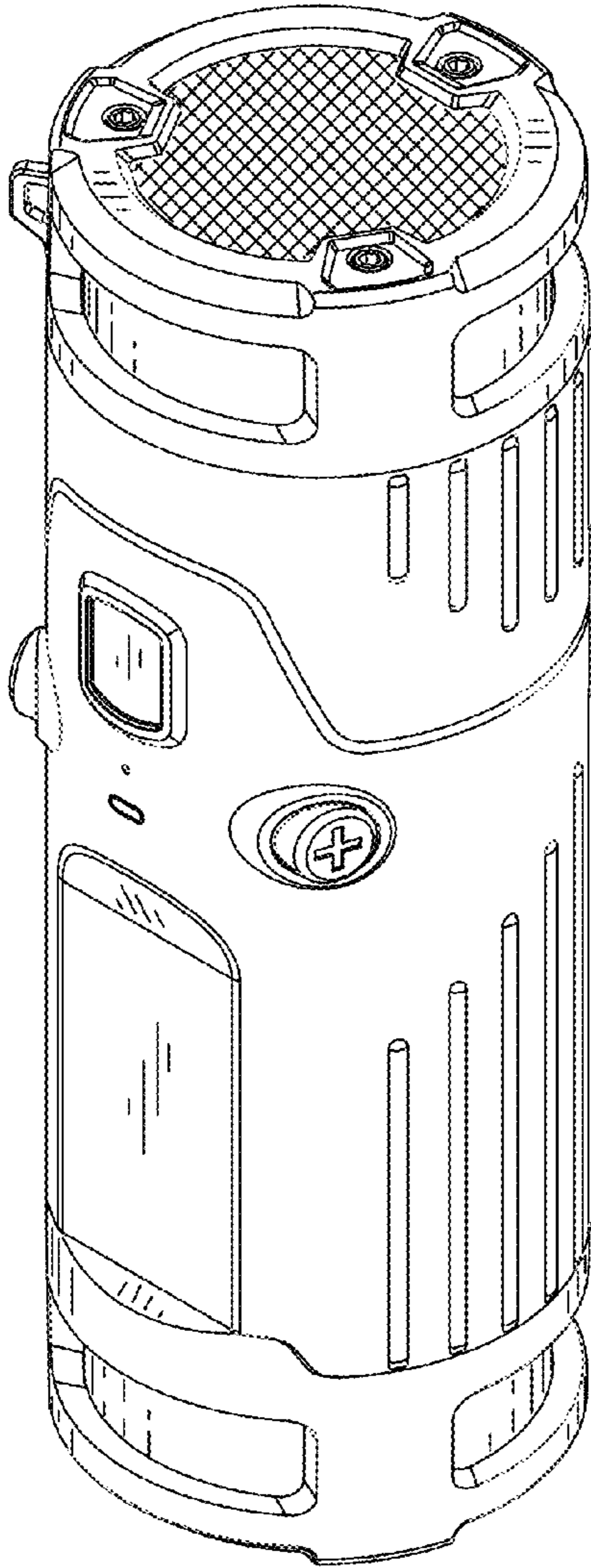


Fig. 1

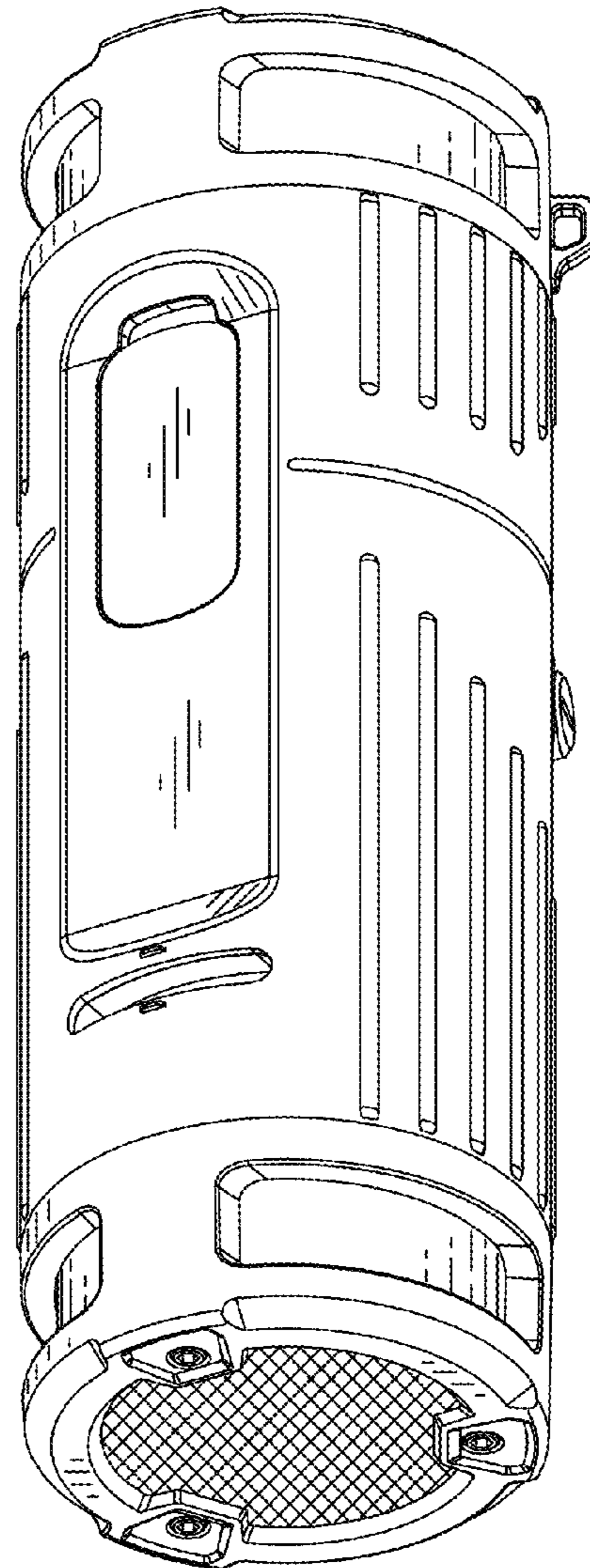


Fig. 2

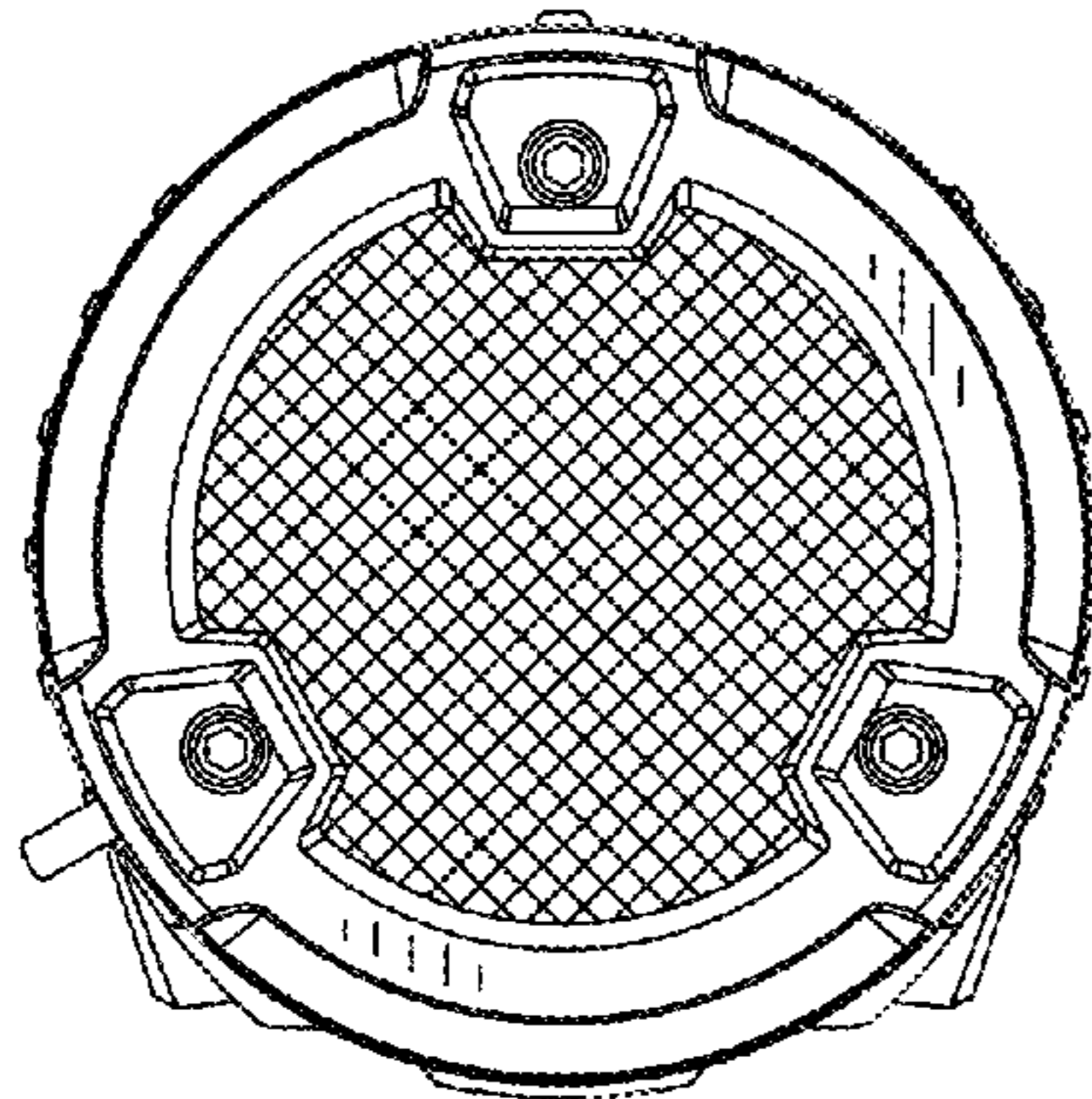


Fig. 3

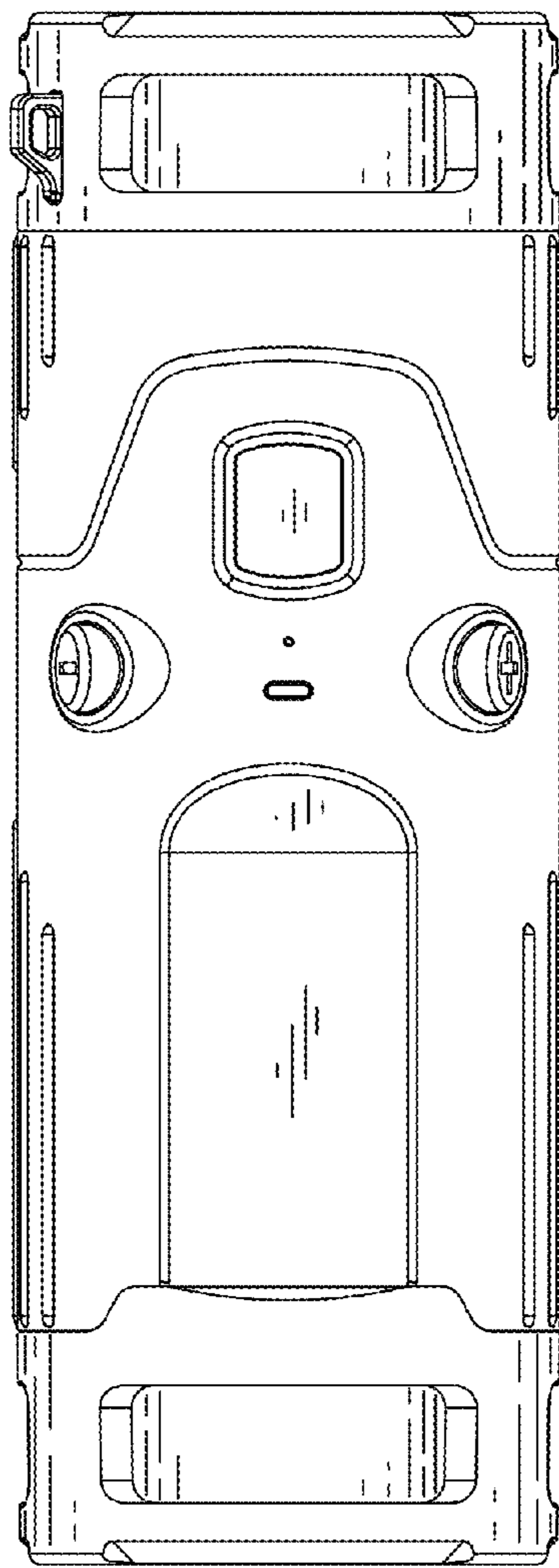


Fig. 4

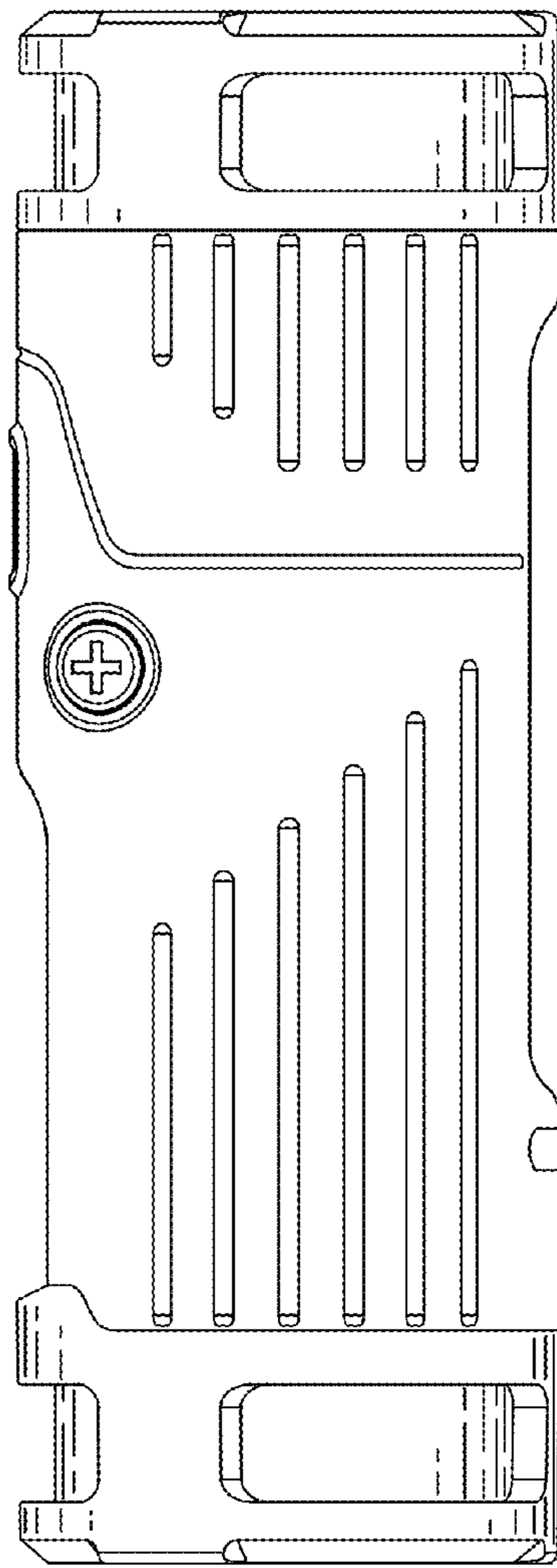


Fig. 5

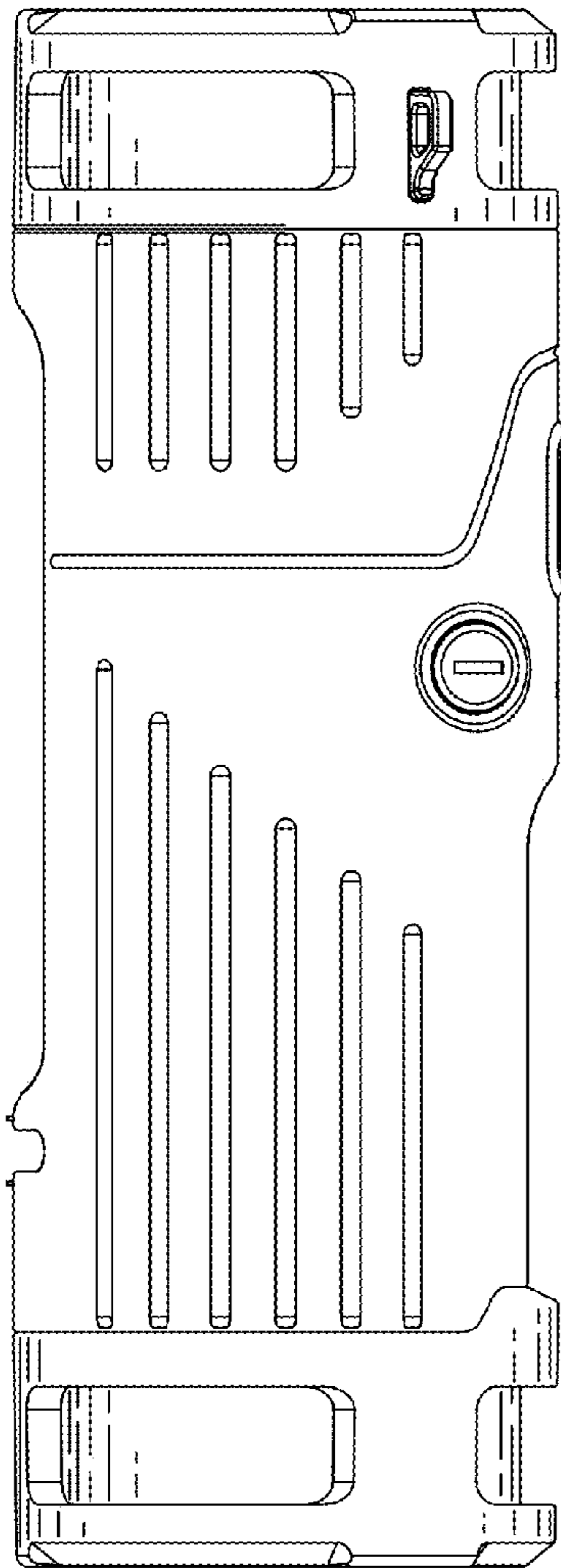


Fig. 6

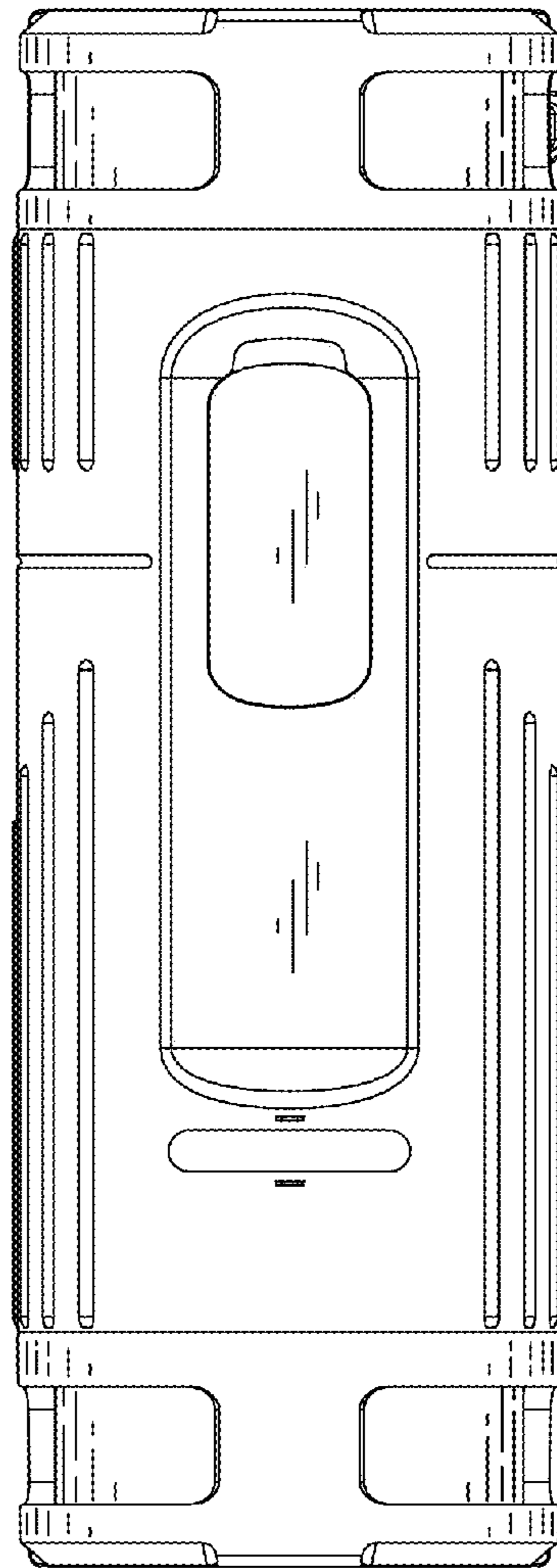


Fig. 7

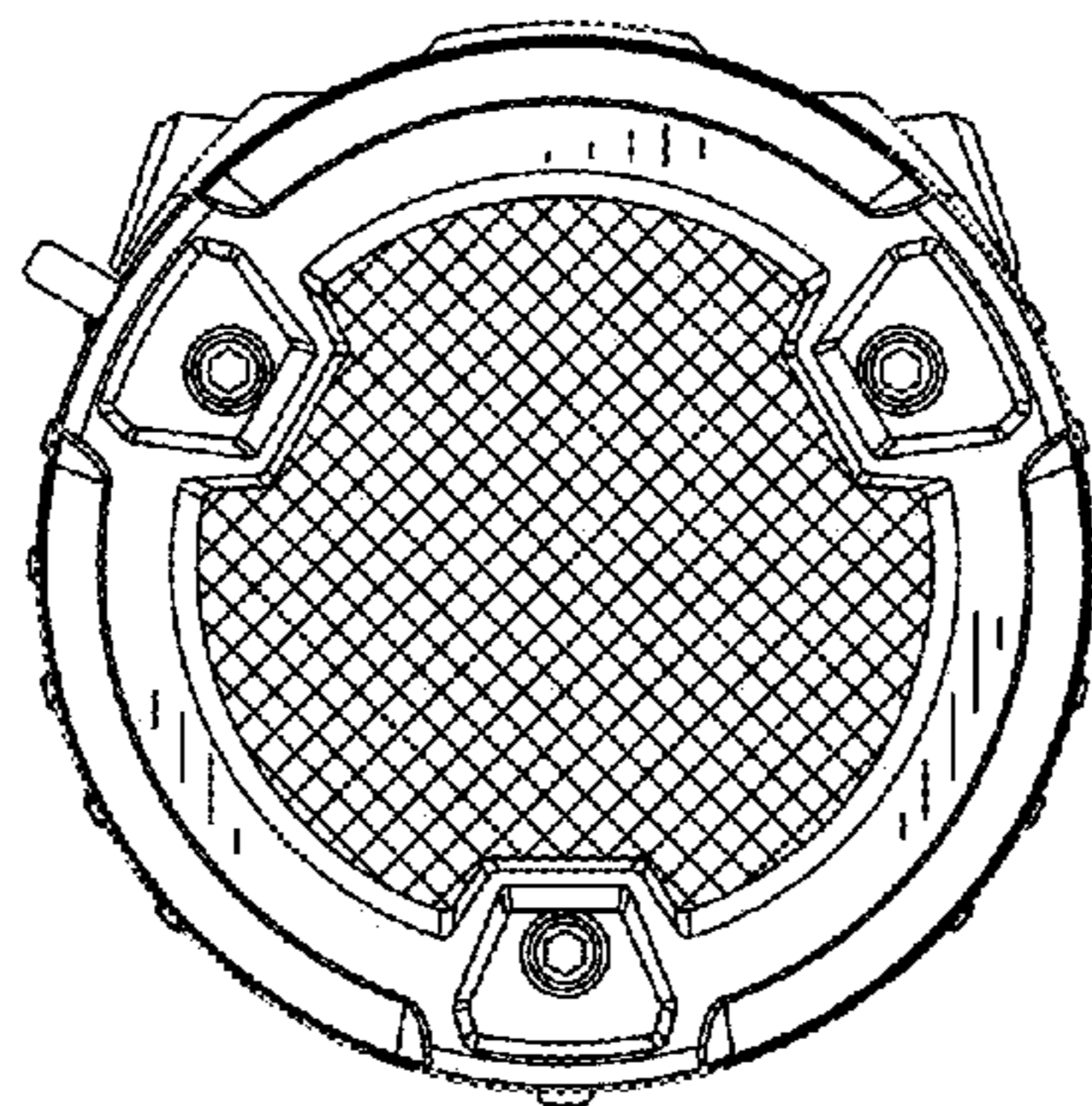


Fig. 8