



US00D742356S

(12) **United States Design Patent**
Toelle et al.

(10) **Patent No.:** **US D742,356 S**
(45) **Date of Patent:** **** Nov. 3, 2015**

- (54) **HEADPHONE ASSEMBLY**
- (71) Applicant: **Google Inc.**, Mountain View, CA (US)
- (72) Inventors: **Haley Toelle**, San Francisco, CA (US);
Jianchun Dong, Palo Alto, CA (US);
Michael Kai Morishita, Belmont, CA (US);
Eliot Kim, Cupertino, CA (US)
- (73) Assignee: **Google Inc.**, Mountain View, CA (US)
- (**) Term: **14 Years**
- (21) Appl. No.: **29/490,945**
- (22) Filed: **May 15, 2014**

- D470,833 S 2/2003 Rath et al.
- 6,616,080 B1 * 9/2003 Edwards et al. 242/378.1
- 6,690,807 B1 2/2004 Meyer
- 6,729,726 B2 5/2004 Miller et al.
- 6,868,164 B2 * 3/2005 Ito et al. 381/370
- D505,132 S * 5/2005 Linville et al. D14/223
- 6,950,531 B2 9/2005 Rickards
- 6,975,644 B2 12/2005 Tordera et al.

(Continued)

FOREIGN PATENT DOCUMENTS

- CN 2449439 Y 9/2001
- WO 2011077160 A1 6/2011

Primary Examiner — Paula Greene

(74) *Attorney, Agent, or Firm* — Lerner, David, Littenberg, Krumholz & Mentlik, LLP

Related U.S. Application Data

- (62) Division of application No. 29/459,019, filed on Jun. 25, 2013, now Pat. No. Des. 719,131.
- (51) **LOC (10) Cl.** **14-01**
- (52) **U.S. Cl.**
USPC **D14/205**
- (58) **Field of Classification Search**
USPC D14/205, 223, 372; 181/129, 130, 135;
379/430, 431, 420.04; 381/380, 381,
381/382; 351/158; 345/718; 348/114, 115;
455/90.3, 575.1
CPC H04R 1/1016
See application file for complete search history.

(57) **CLAIM**

The ornamental design for a headphone assembly, as shown and described.

DESCRIPTION

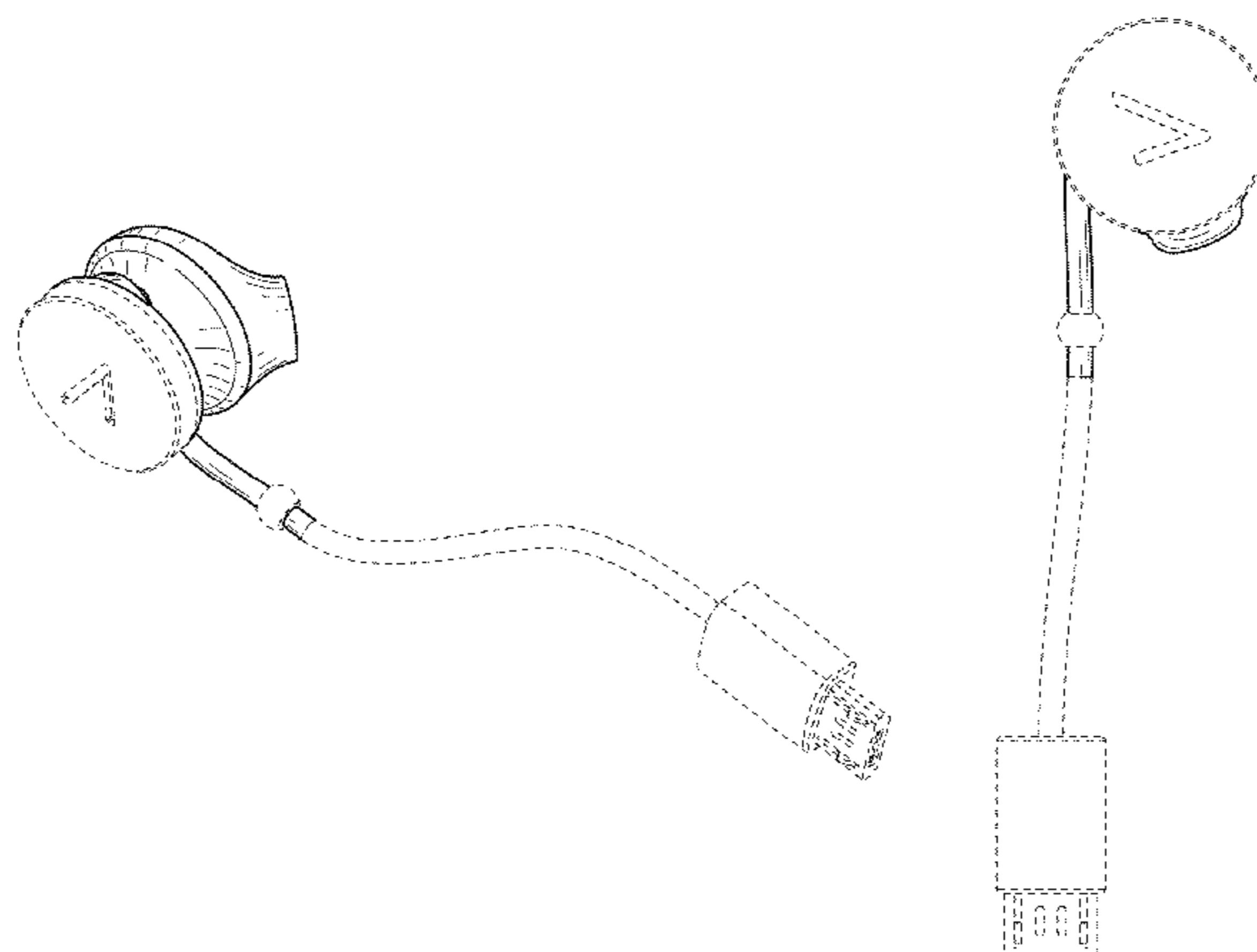
FIG. 1 is a front perspective view of a headphone assembly according to our design shown in a first configuration thereof; FIG. 2 is a front elevation view thereof; FIG. 3 is a back elevation view thereof; FIG. 4 is a right side elevation view thereof; FIG. 5 is a left side elevation view thereof; FIG. 6 is a top elevation view thereof; FIG. 7 is a bottom elevation view thereof; FIG. 8 is a rear perspective view of the headphone assembly of FIG. 1, shown in a second configuration thereof; FIG. 9 is a front elevation view thereof; FIG. 10 is a back elevation view thereof; FIG. 11 is a right side elevation view thereof; FIG. 12 is a left side elevation view thereof; FIG. 13 is a top elevation view thereof; and, FIG. 14 is a bottom elevation view thereof. Broken lines are environmental only and form no part of the claimed design.

(56) **References Cited**

U.S. PATENT DOCUMENTS

- D102,655 S * 1/1937 Nicholides D24/174
- 3,440,365 A * 4/1969 Hazell et al. 379/430
- 3,712,409 A * 1/1973 Kizakis et al. 181/137
- 3,789,164 A 1/1974 Ryder
- D299,344 S * 1/1989 Stevens D14/249
- 5,606,743 A 2/1997 Vogt et al.
- 5,880,773 A 3/1999 Suzuki
- 6,122,369 A 9/2000 Hwang et al.
- D436,960 S 1/2001 Budd et al.

1 Claim, 8 Drawing Sheets



(56)

References Cited

U.S. PATENT DOCUMENTS

D521,493 S	5/2006	Wai	
D531,169 S *	10/2006	Tokioka et al.	D14/223
D569,841 S *	5/2008	Chung et al.	D14/205
7,461,936 B2	12/2008	Jannard	
D584,284 S	1/2009	Carr et al.	
D591,264 S	4/2009	Hong et al.	
7,551,748 B2 *	6/2009	Kamo et al.	381/380
D602,064 S	10/2009	Mitsui et al.	
7,930,007 B2	4/2011	Andreasson	
D637,998 S *	5/2011	Brunner et al.	D14/205
D643,405 S *	8/2011	Rath	D14/206
D643,414 S	8/2011	Lee et al.	
D648,316 S *	11/2011	Lee et al.	D14/205
D652,817 S	1/2012	Lee et al.	
D658,157 S *	4/2012	McManigal	D14/205
8,174,569 B2	5/2012	Tanijiri et al.	
D662,079 S	6/2012	Fahrendorff et al.	
D663,715 S	7/2012	Glezerman et al.	
8,229,154 B2 *	7/2012	Ito	381/385
D666,581 S *	9/2012	Perez	D14/223
D678,242 S	3/2013	Von Euler	
D685,761 S	7/2013	Fletcher et al.	
D687,410 S	8/2013	Fletcher et al.	
D697,962 S	1/2014	Olsson	
D699,226 S *	2/2014	Yoon	D14/223
D700,167 S	2/2014	Hardi	
D703,634 S *	4/2014	Han	D14/205
D707,206 S *	6/2014	Akana et al.	D14/223
8,755,555 B2 *	6/2014	Dougherty et al.	381/378
D717,767 S *	11/2014	Mistry et al.	D14/206
D719,131 S *	12/2014	Toelle et al.	D14/205
D719,132 S *	12/2014	Toelle et al.	D14/205
2004/0204177 A1	10/2004	Pon	
2006/0203998 A1	9/2006	Ben-Arie	
2007/0064967 A1	3/2007	Feeley et al.	
2007/0201000 A1	8/2007	Jackson et al.	
2010/0045928 A1	2/2010	Levy	
2011/0255723 A1	10/2011	Obradovic et al.	
2013/0127980 A1	5/2013	Haddick et al.	

* cited by examiner

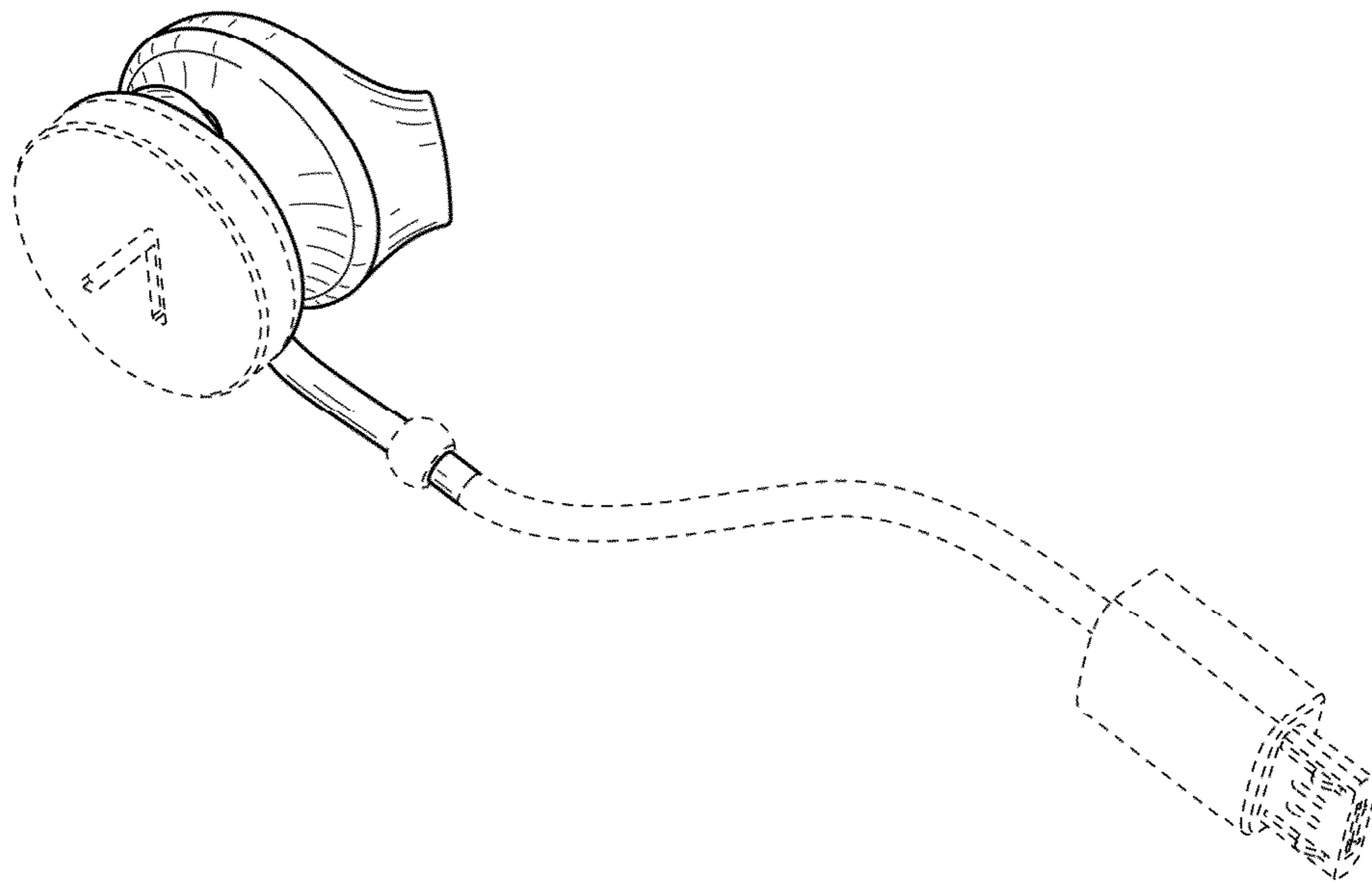


FIG. 1

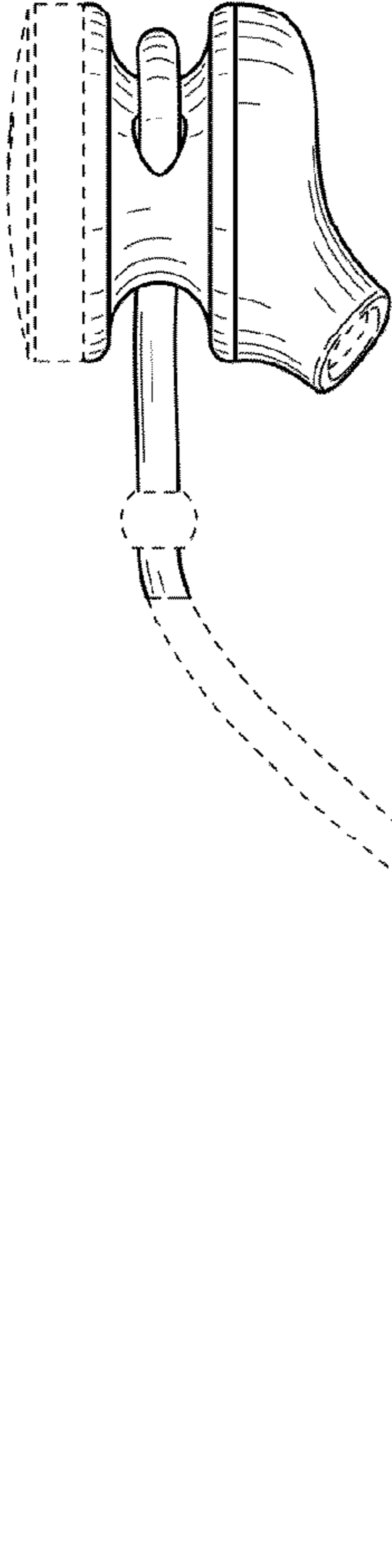


FIG. 2

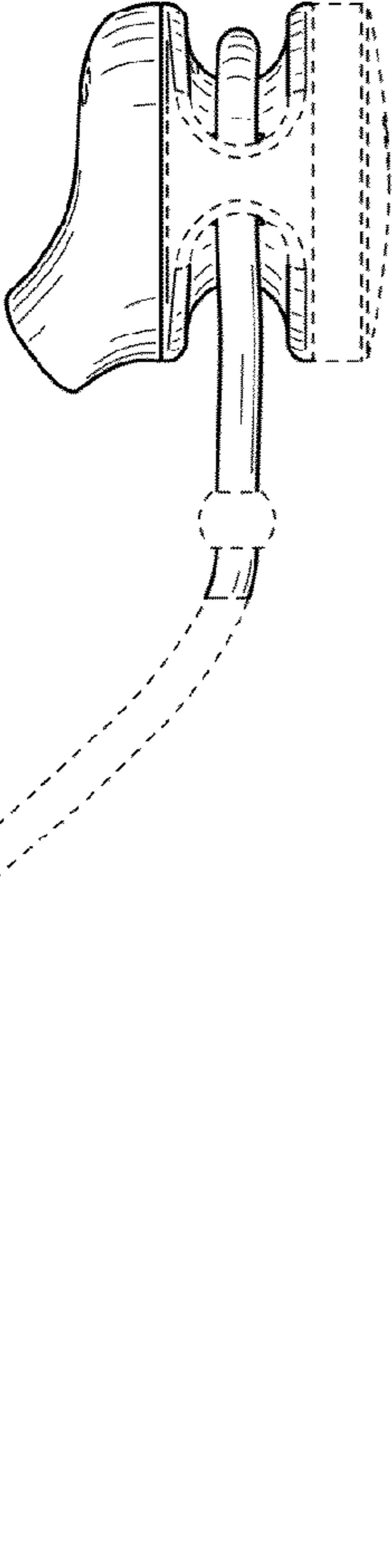


FIG. 3

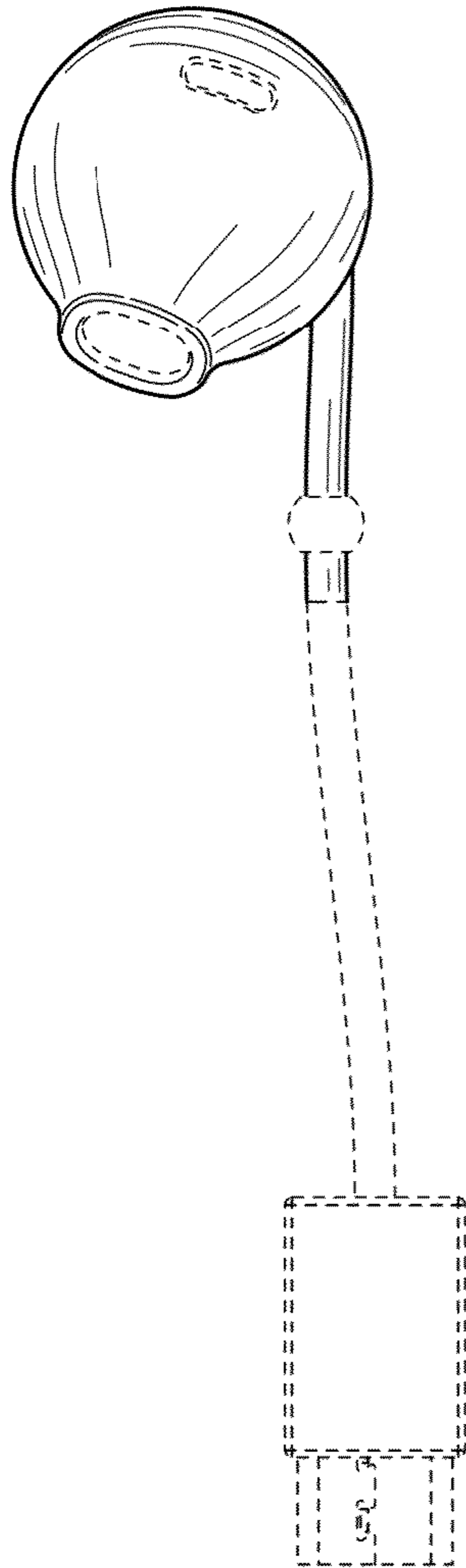


FIG. 4

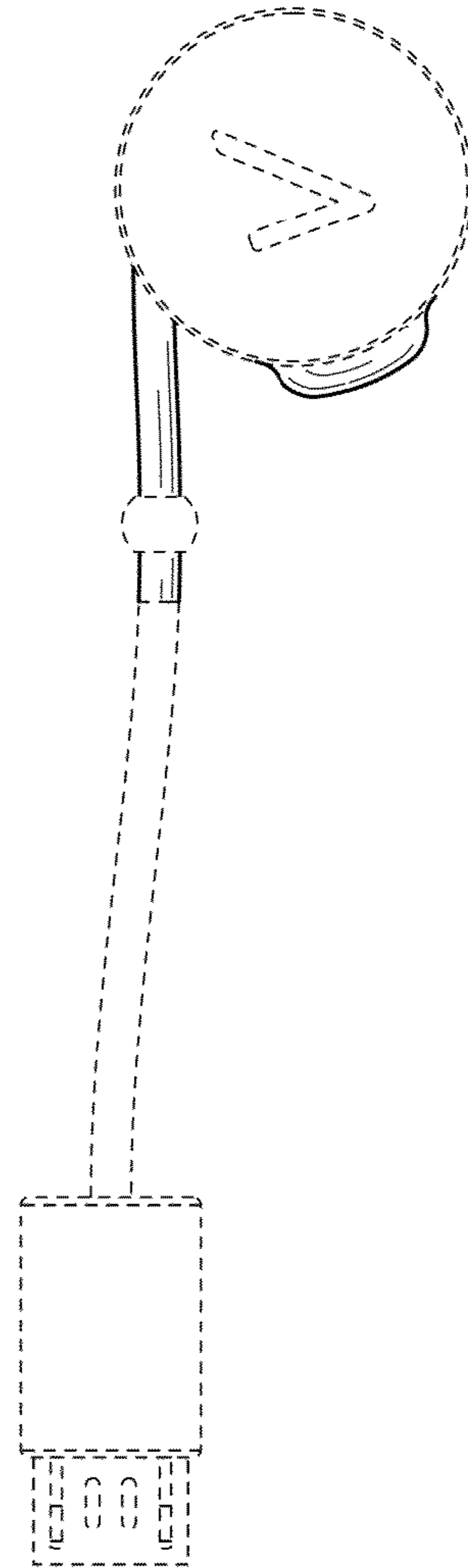


FIG. 5

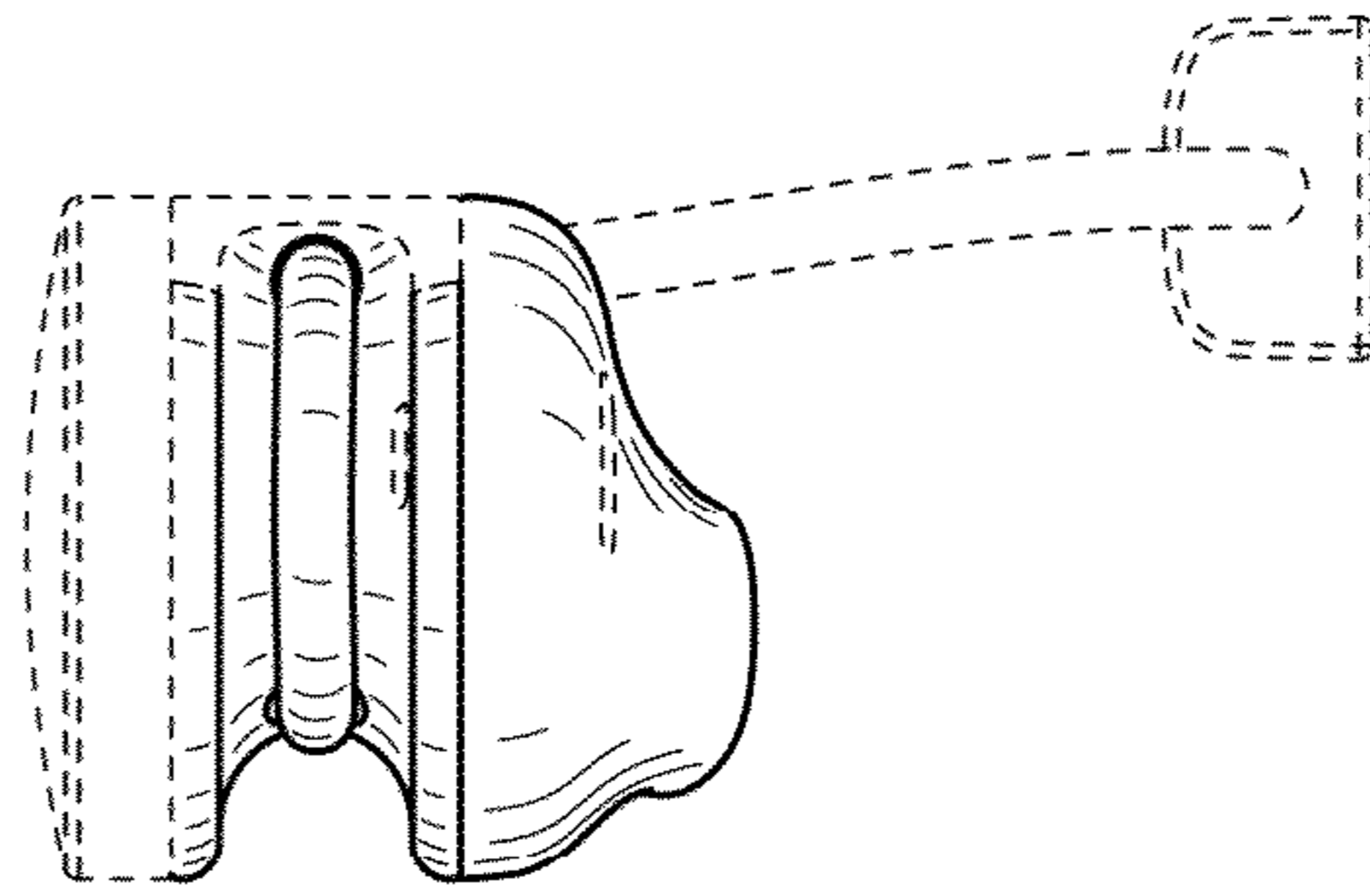


FIG. 6

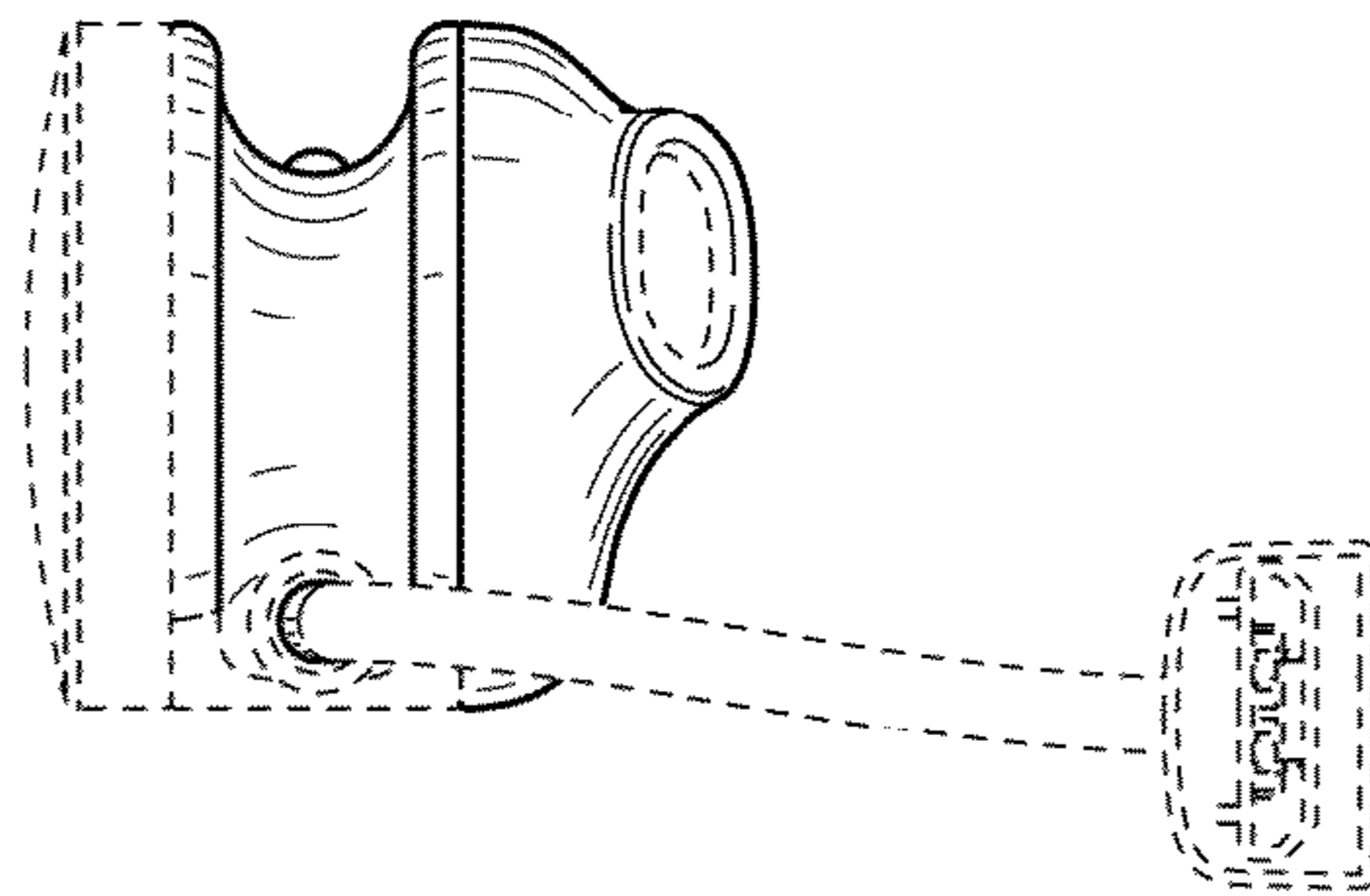


FIG. 7

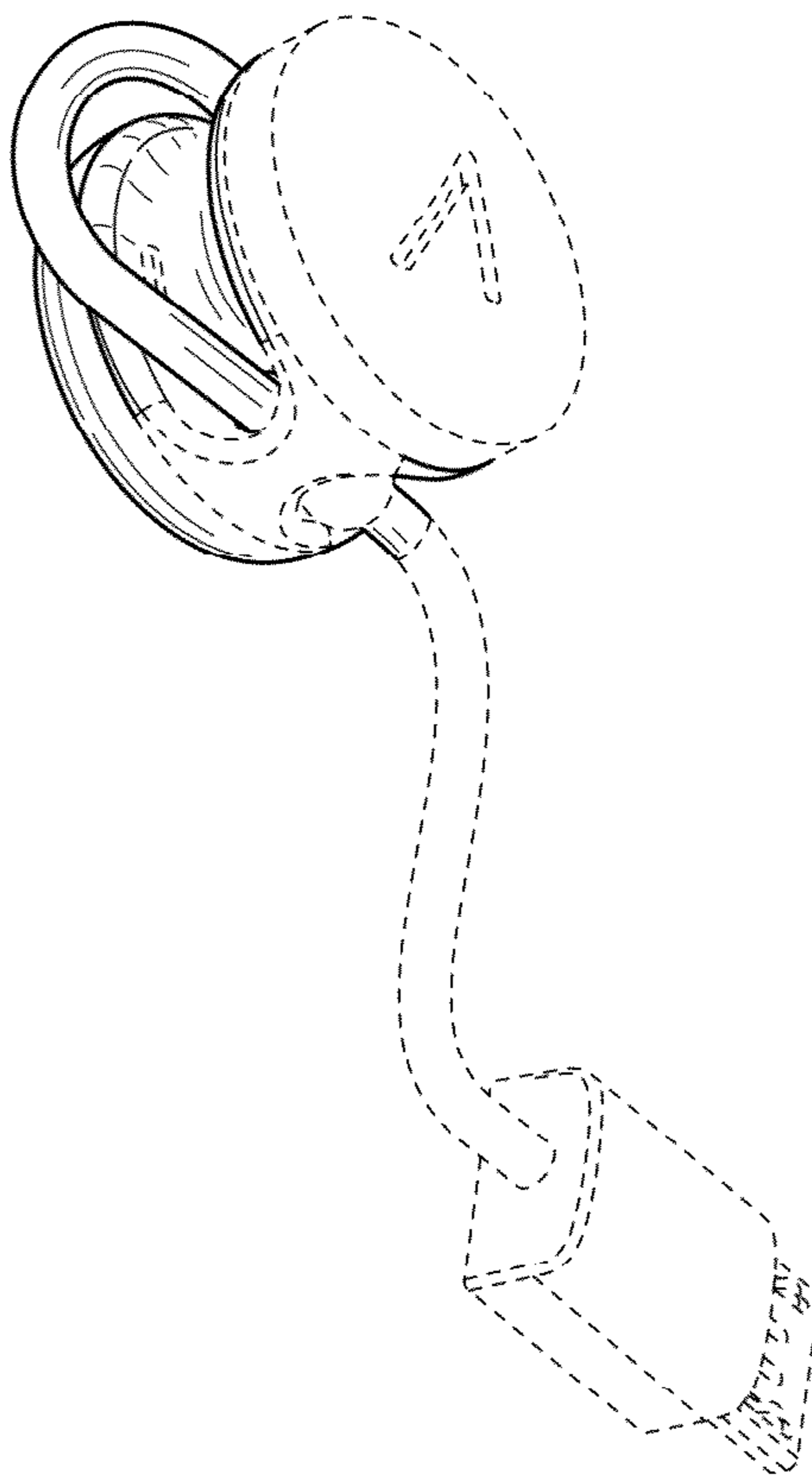


FIG. 8

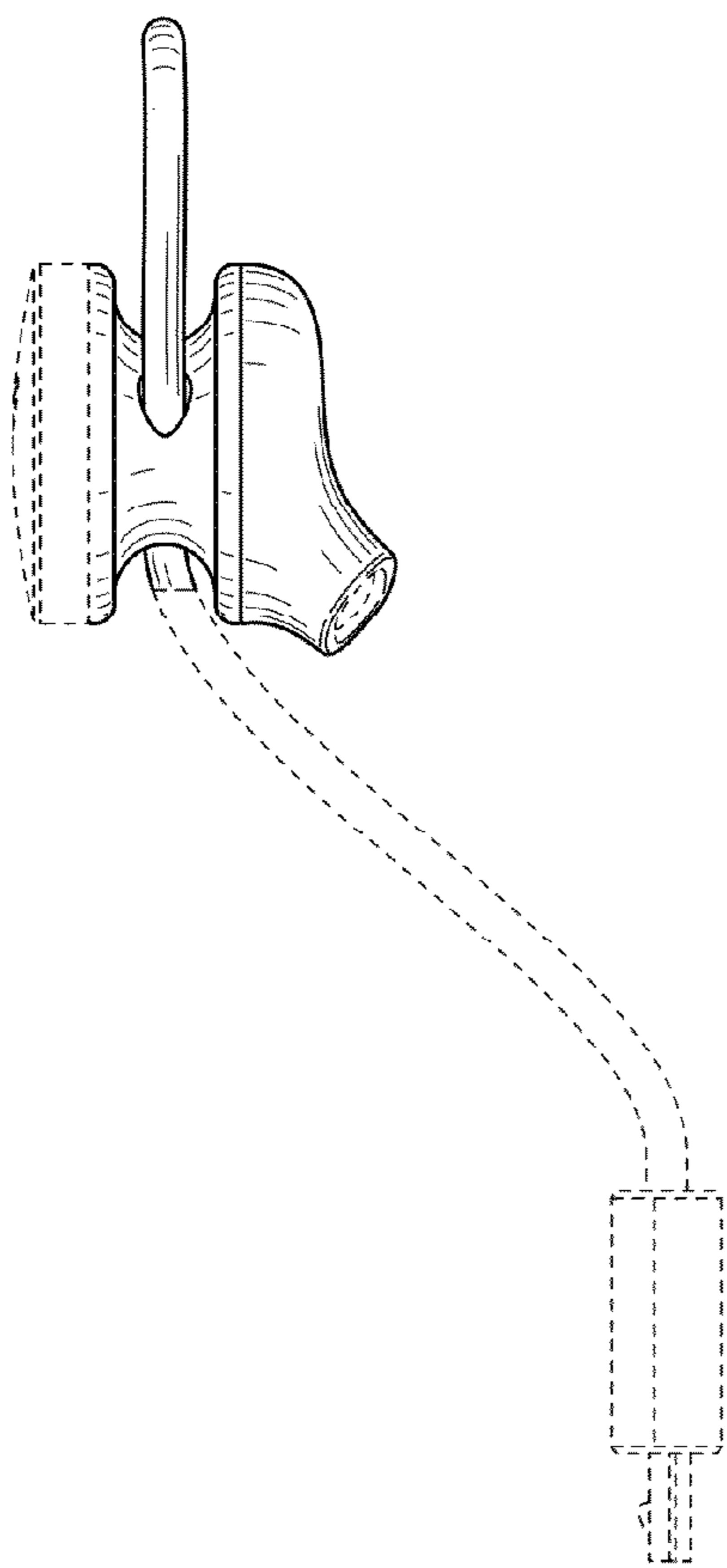


FIG. 9

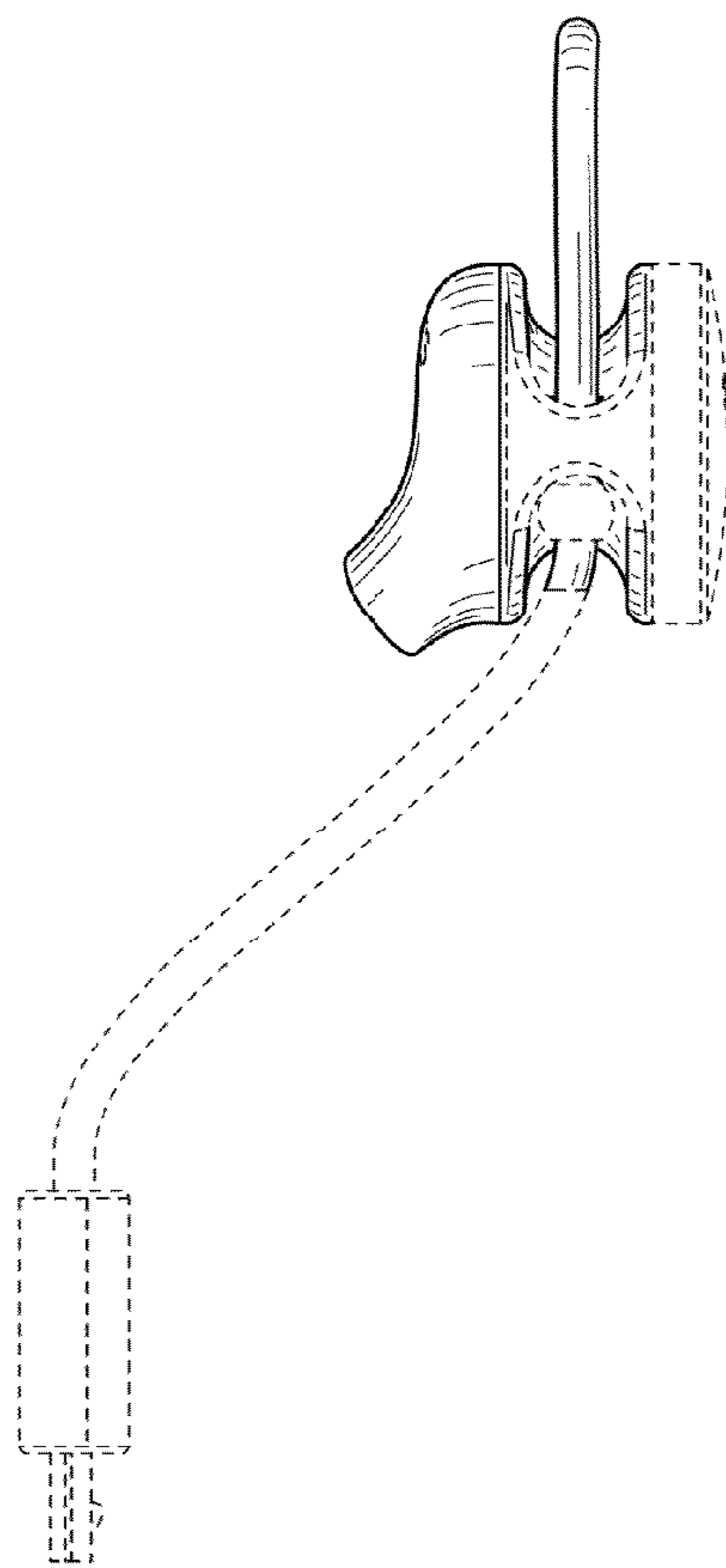


FIG. 10

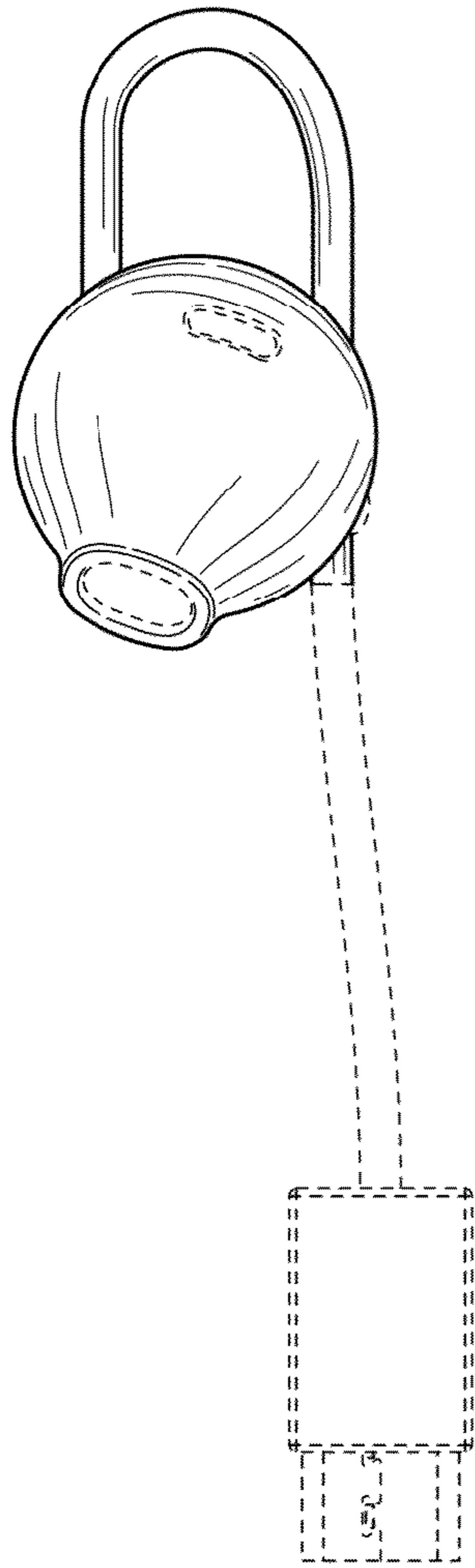


FIG. 11

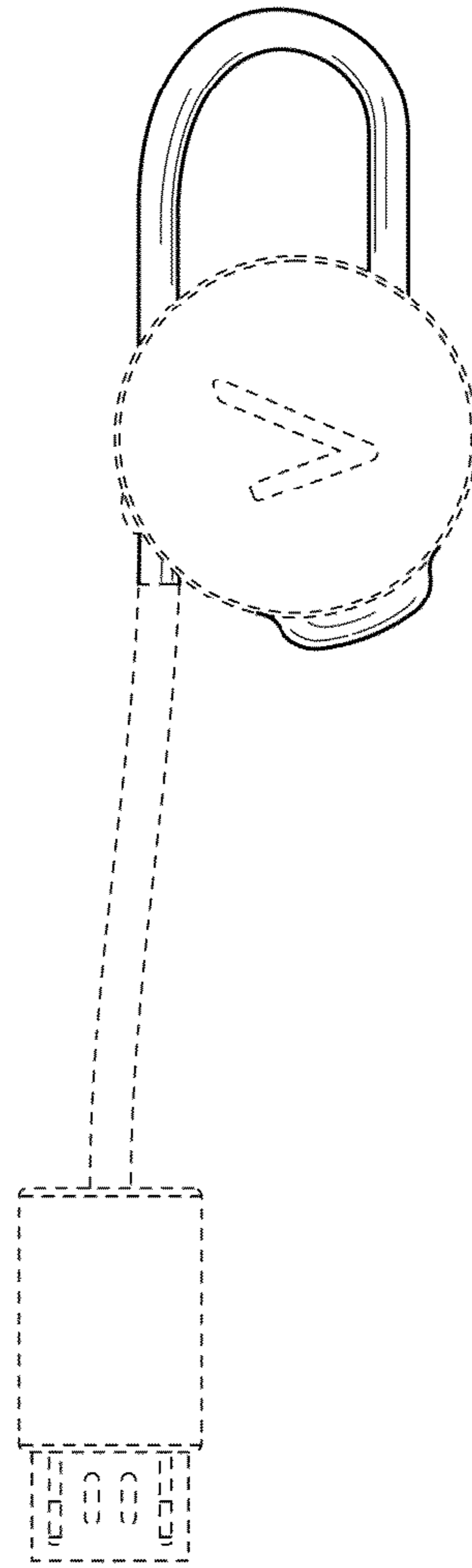


FIG. 12

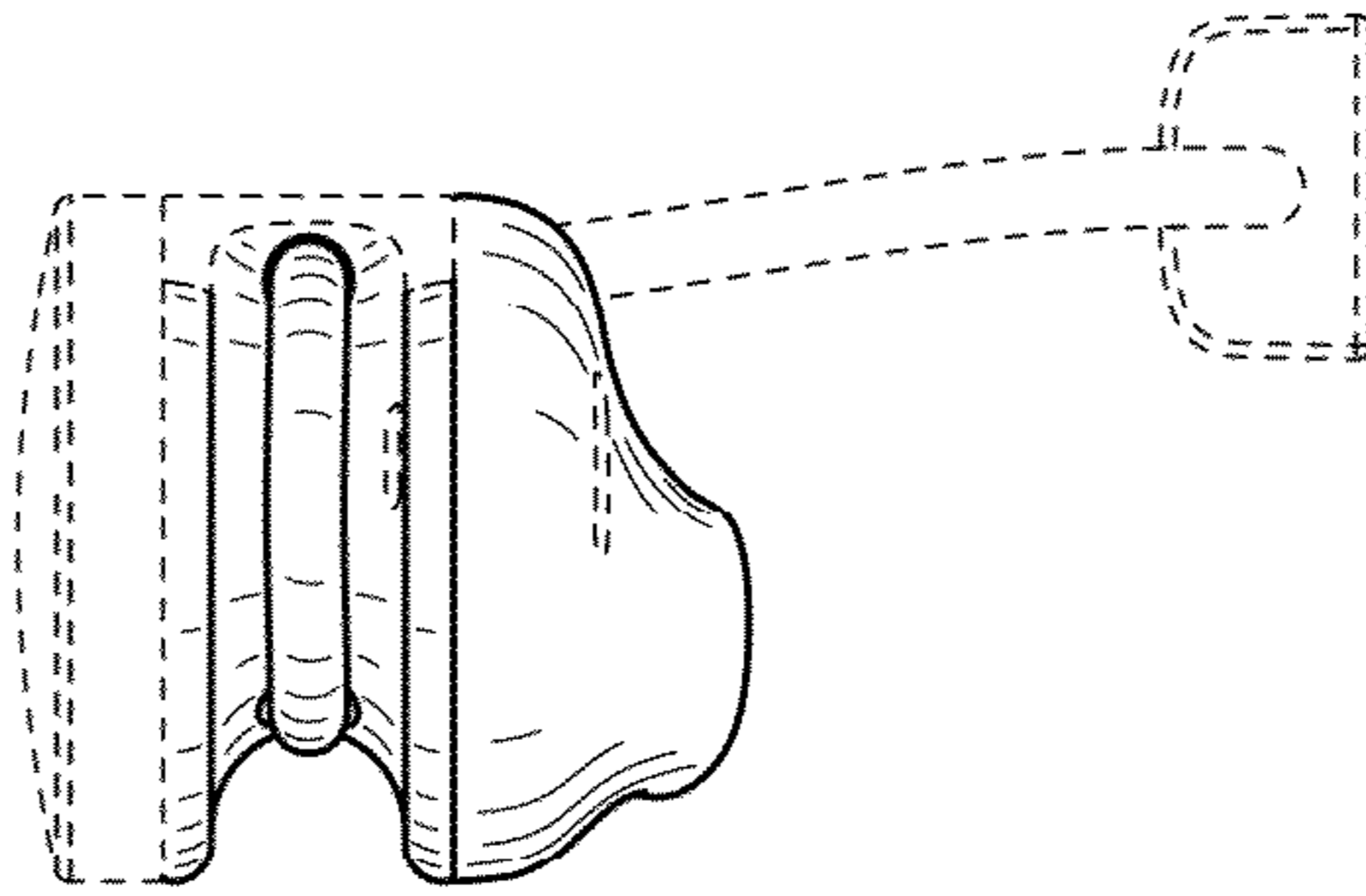


FIG. 13

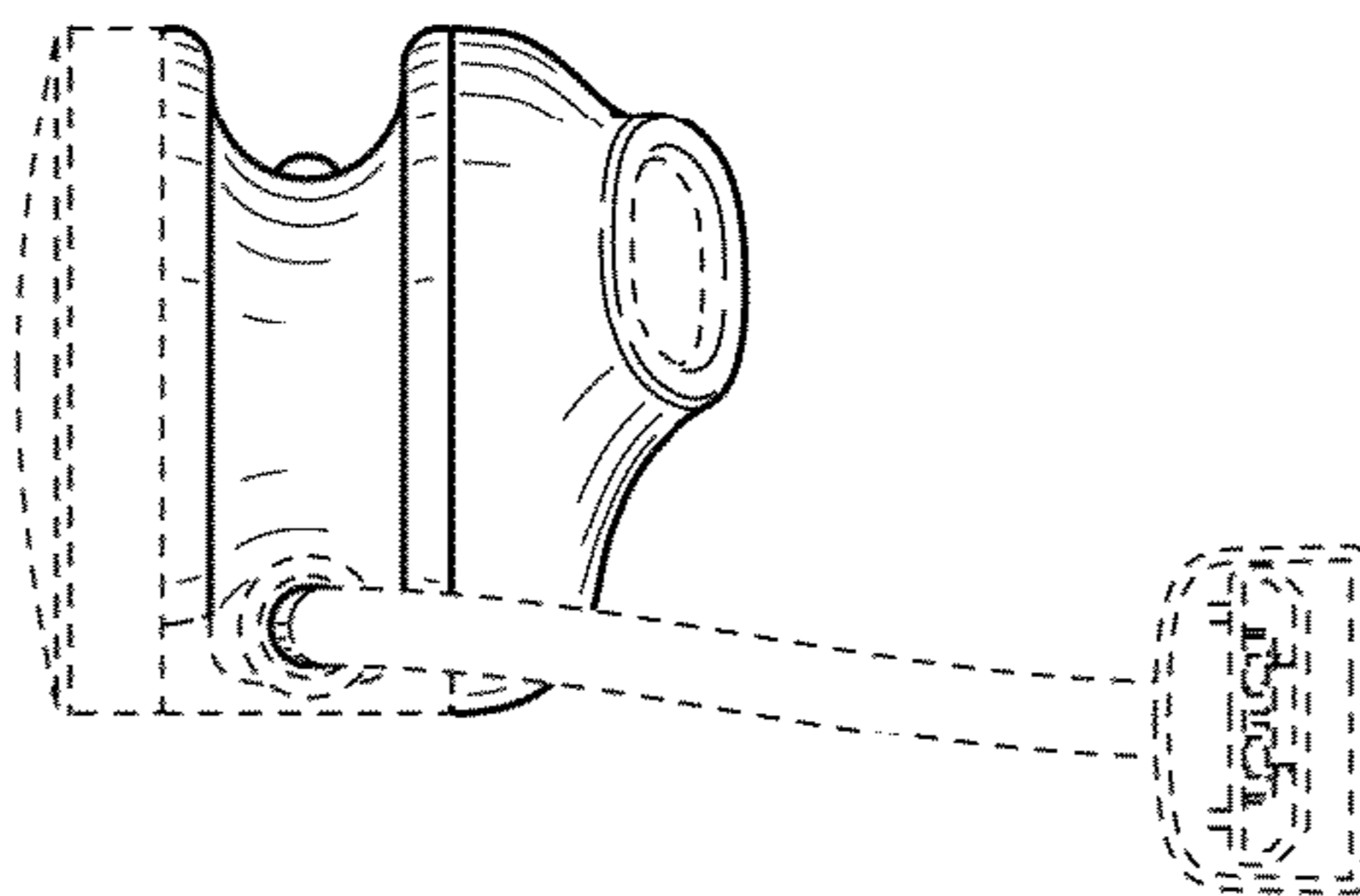


FIG. 14