



US00D742354S

(12) **United States Design Patent**
McNamara et al.

(10) **Patent No.:** **US D742,354 S**
(45) **Date of Patent:** **** Nov. 3, 2015**

- (54) **HEAD PHONE STRAIN RELIEF ATTACHMENT CLIP**
- (71) Applicant: **Sol Republic Inc.**, Wilsonville, OR (US)
- (72) Inventors: **Gregory McNamara**, San Francisco, CA (US); **Sindre Klepp**, San Francisco, CA (US)
- (73) Assignee: **Sol Republic Inc.**, Wilsonville, OR (US)
- (**) Term: **14 Years**
- (21) Appl. No.: **29/481,432**
- (22) Filed: **Feb. 5, 2014**
- (51) **LOC (10) Cl.** **14-01**
- (52) **U.S. Cl.**
USPC **D14/205**; D8/395
- (58) **Field of Classification Search**
USPC D14/205, 206, 223; 381/380, 381, 364;
D8/395; 24/115 G, 3.1, 3.12, 122.6,
24/332, 498, 543, 326, 329, 337
CPC H04R 25/00
See application file for complete search history.

(56) **References Cited**

U.S. PATENT DOCUMENTS

1,570,451	A *	1/1926	Simoneau	211/30
1,884,031	A *	10/1932	Mahle	24/332
2,321,563	A *	6/1943	Penley	24/334
2,782,482	A *	2/1957	Baril et al.	24/501
2,840,874	A *	7/1958	Sauerman	24/507
2,913,792	A *	11/1959	Land	24/332
3,131,449	A *	5/1964	Iida	24/334
3,506,919	A *	4/1970	Fistell	455/95
3,604,069	A *	9/1971	Jensen	24/332
3,780,402	A *	12/1973	Takabayashi	24/510
3,821,647	A *	6/1974	Minasian	455/269
4,346,501	A	8/1982	Saiya	
4,516,297	A *	5/1985	Pettersson	24/498
4,893,344	A *	1/1990	Tragardh et al.	381/381
4,901,355	A *	2/1990	Moore	381/381

D313,934	S *	1/1991	Nakao et al.	D8/395
6,301,751	B1 *	10/2001	Ohlson	24/3.11
6,333,984	B1 *	12/2001	Yang	381/364
6,526,635	B2	3/2003	Nasu et al.	
D477,029	S *	7/2003	Korowitz	D19/78
6,771,790	B2 *	8/2004	Liu	381/385
7,139,590	B2 *	11/2006	Liu et al.	455/557
D588,584	S *	3/2009	Park et al.	D14/226
7,778,435	B2 *	8/2010	Smith et al.	381/380
D636,756	S *	4/2011	Fahrendorff et al.	D14/205
D659,673	S *	5/2012	Fahrendorff et al.	D14/205
D662,079	S *	6/2012	Fahrendorff et al.	D14/205
8,225,465	B2	7/2012	Honeycutt	

(Continued)

Primary Examiner — Paula Greene

(74) *Attorney, Agent, or Firm* — Alleman Hall McCoy Russell & Tuttle LLP

(57) **CLAIM**

The ornamental design for a head phone strain relief attachment clip, as shown and described.

DESCRIPTION

FIG. 1 is a perspective view of an ornamental design for a head phone strain relief attachment clip, according to the invention.

FIG. 2 is a bottom view of the head phone strain relief attachment clip of FIG. 1.

FIG. 3 is a top view of the head phone strain relief attachment clip of FIG. 1.

FIG. 4 is a front view of the head phone strain relief attachment clip of FIG. 1.

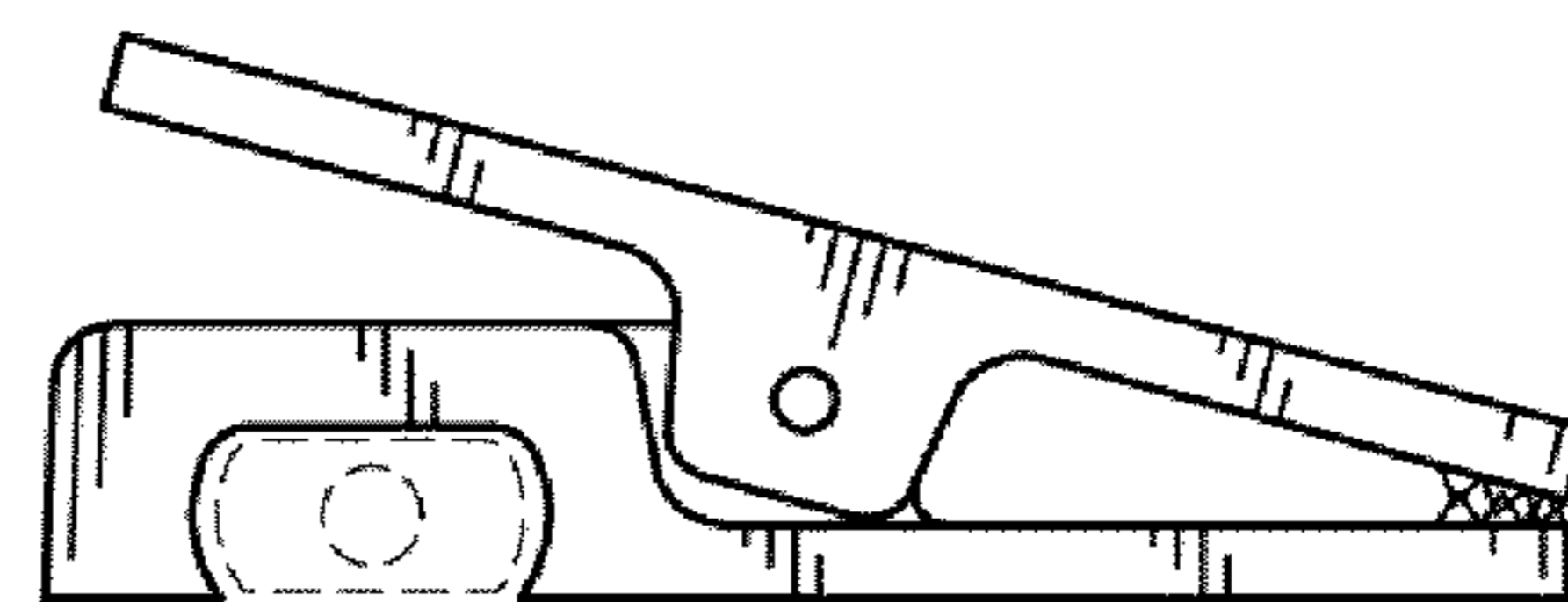
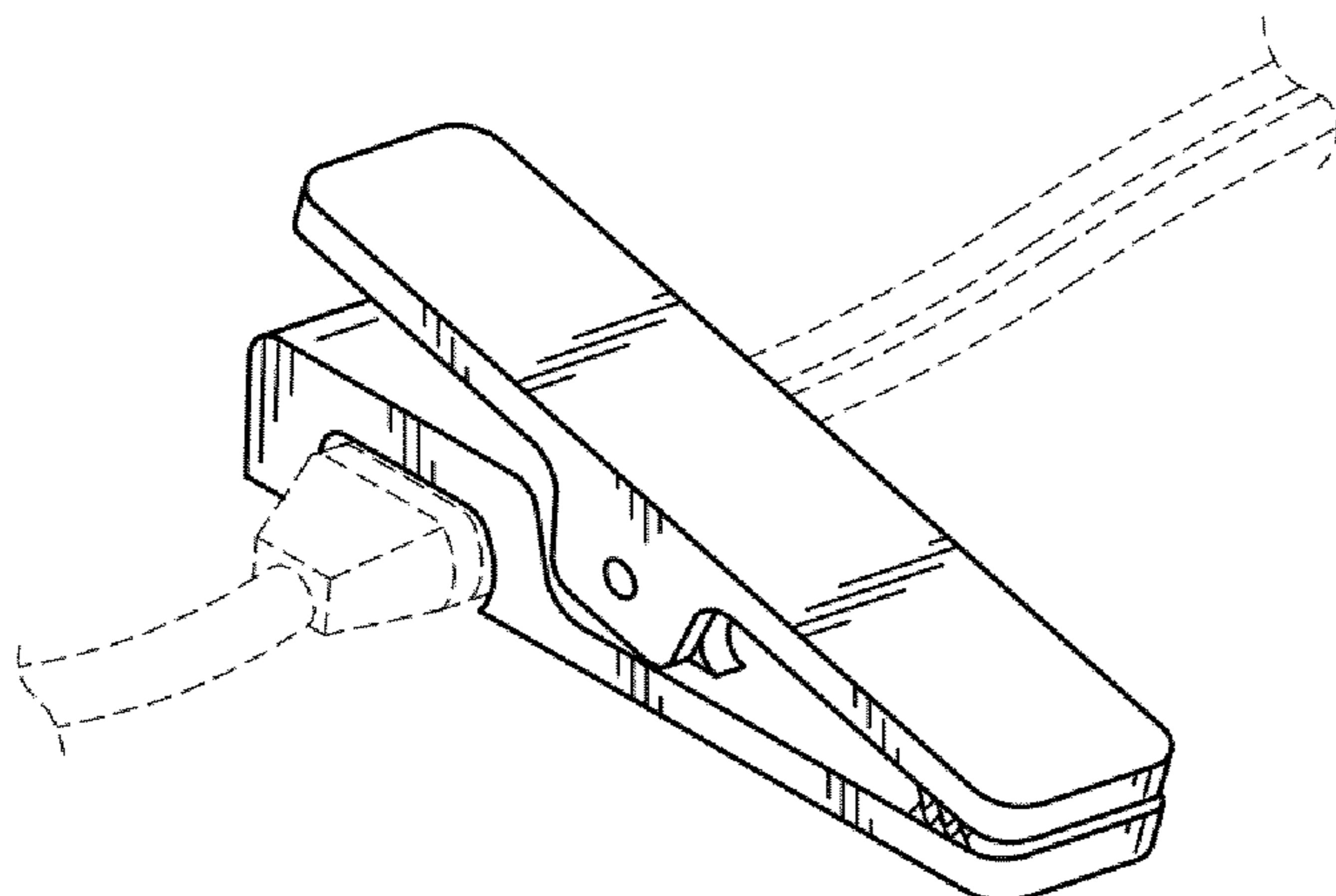
FIG. 5 is a rear view of the head phone strain relief attachment clip of FIG. 1.

FIG. 6 is a right side view of the head phone strain relief attachment clip of FIG. 1; and,

FIG. 7 is a left side view of the head phone strain relief attachment clip of FIG. 1.

The features shown in broken lines depict environmental subject matter only and form no part of the claimed design.

1 Claim, 1 Drawing Sheet



US D742,354 S

Page 2

(56)

References Cited

U.S. PATENT DOCUMENTS

D682,808 S *	5/2013	Fletcher et al.	D14/205	8,505,170 B1	8/2013	Gray et al.	
D682,809 S *	5/2013	Fletcher et al.	D14/205	D712,383 S *	9/2014	McNamara et al.	D14/223
D685,343 S *	7/2013	Fletcher et al.	D14/205	2010/0115739 A1	5/2010	Mathur	
				2011/0317865 A1	12/2011	Stevinson	
				2012/0079687 A1	4/2012	Ingram	

* cited by examiner

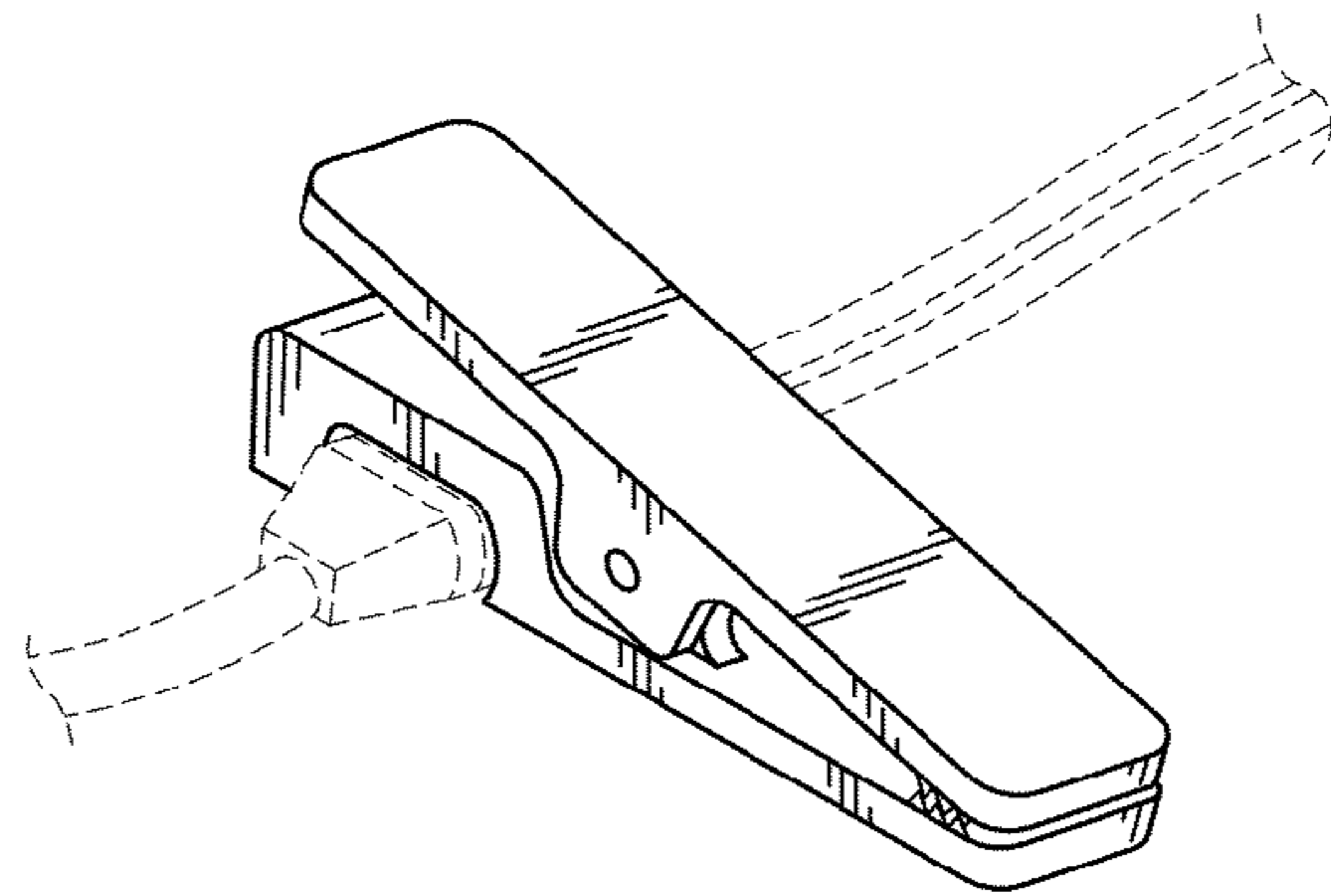


FIG. 1

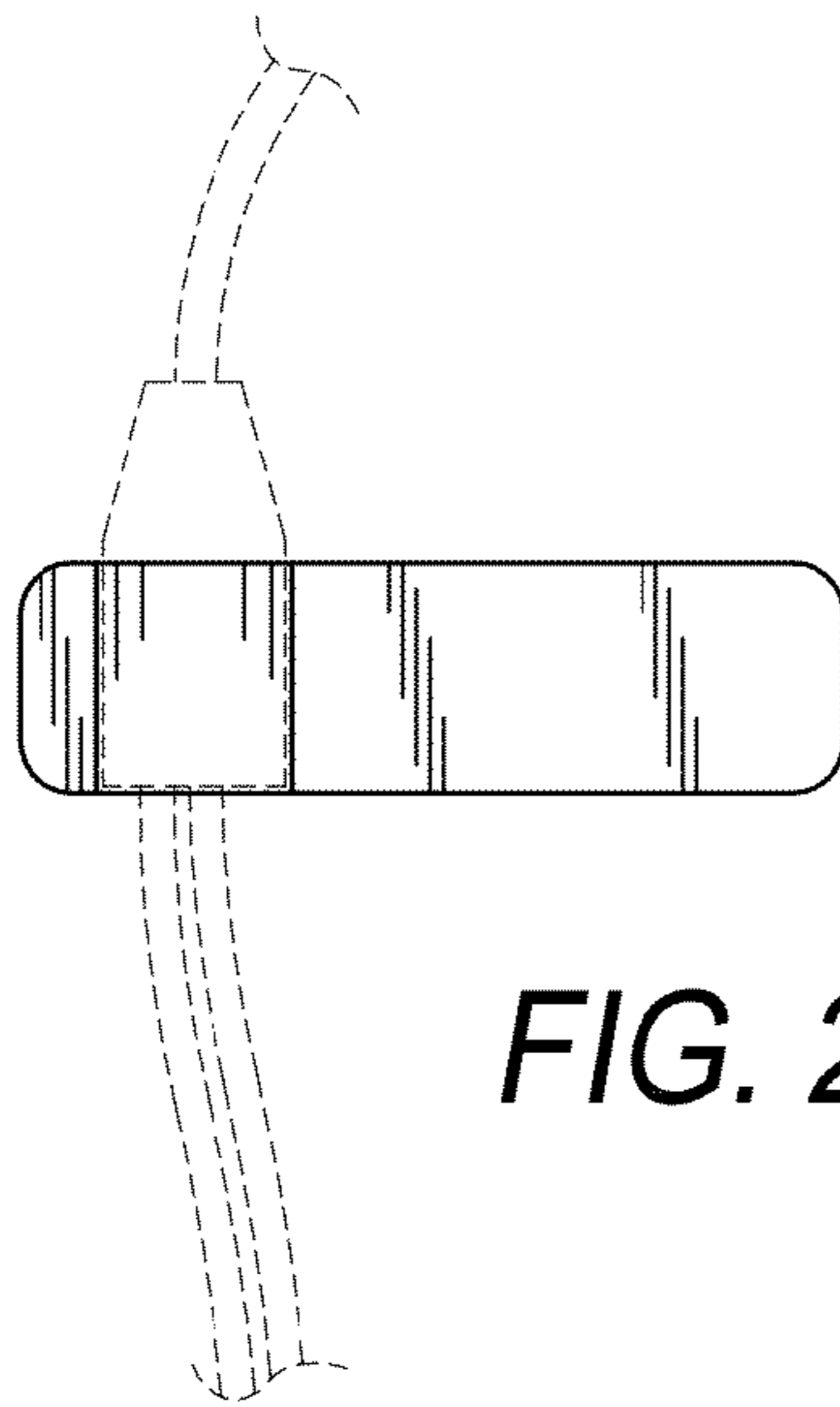


FIG. 2

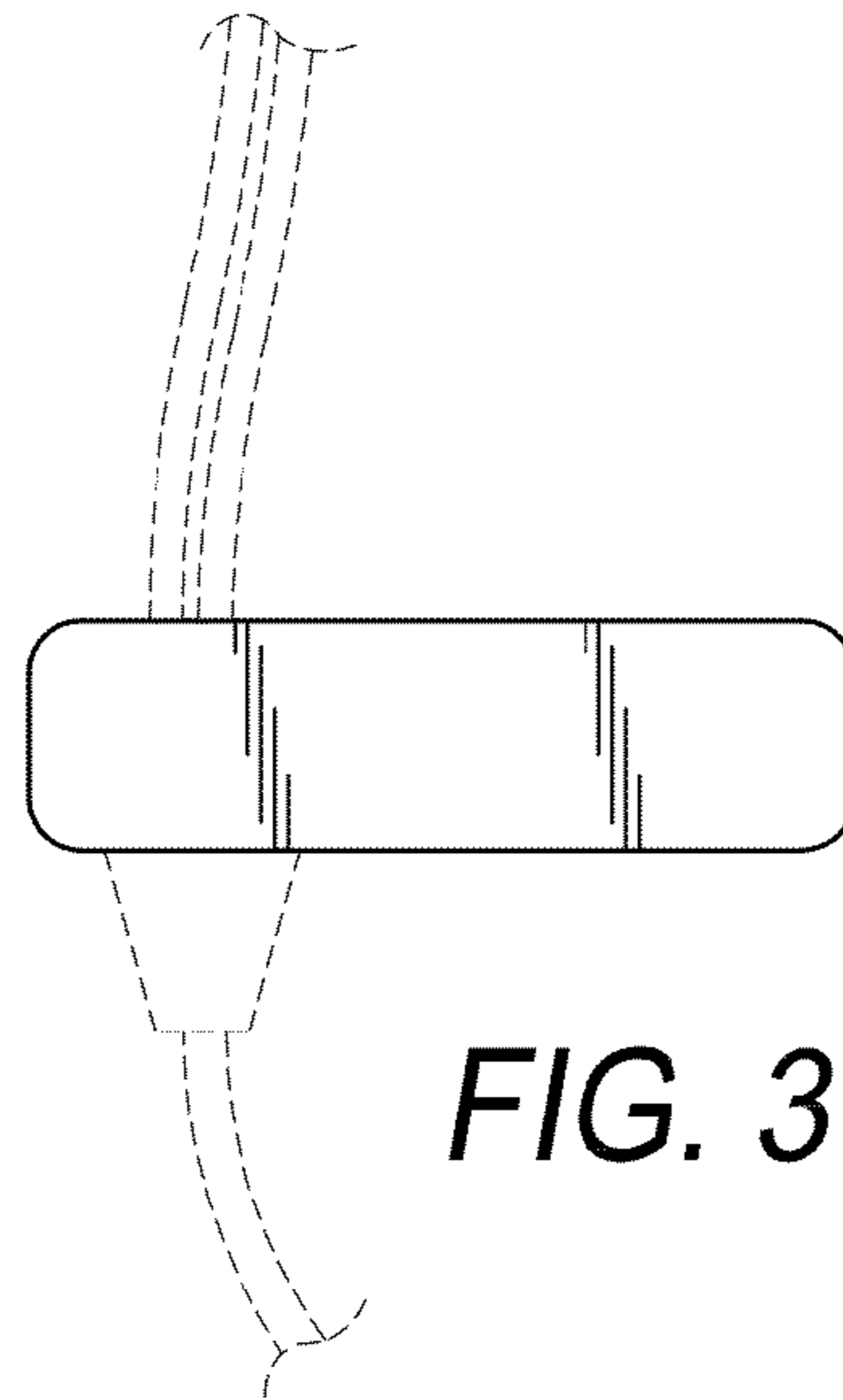


FIG. 3

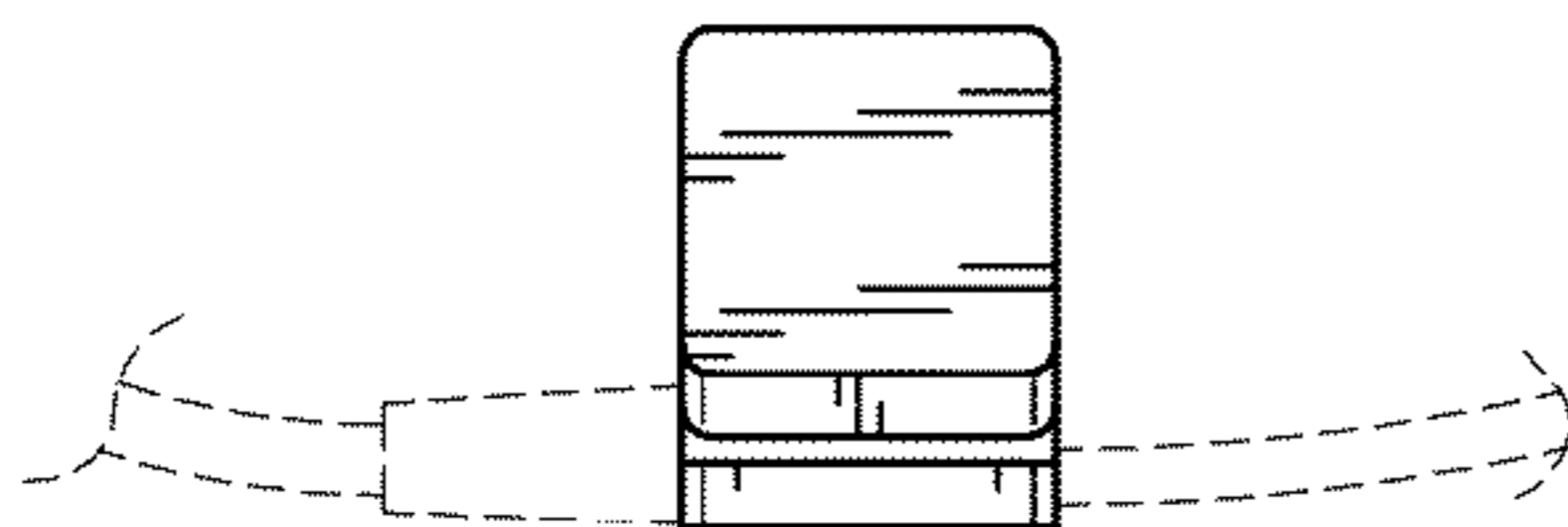


FIG. 4

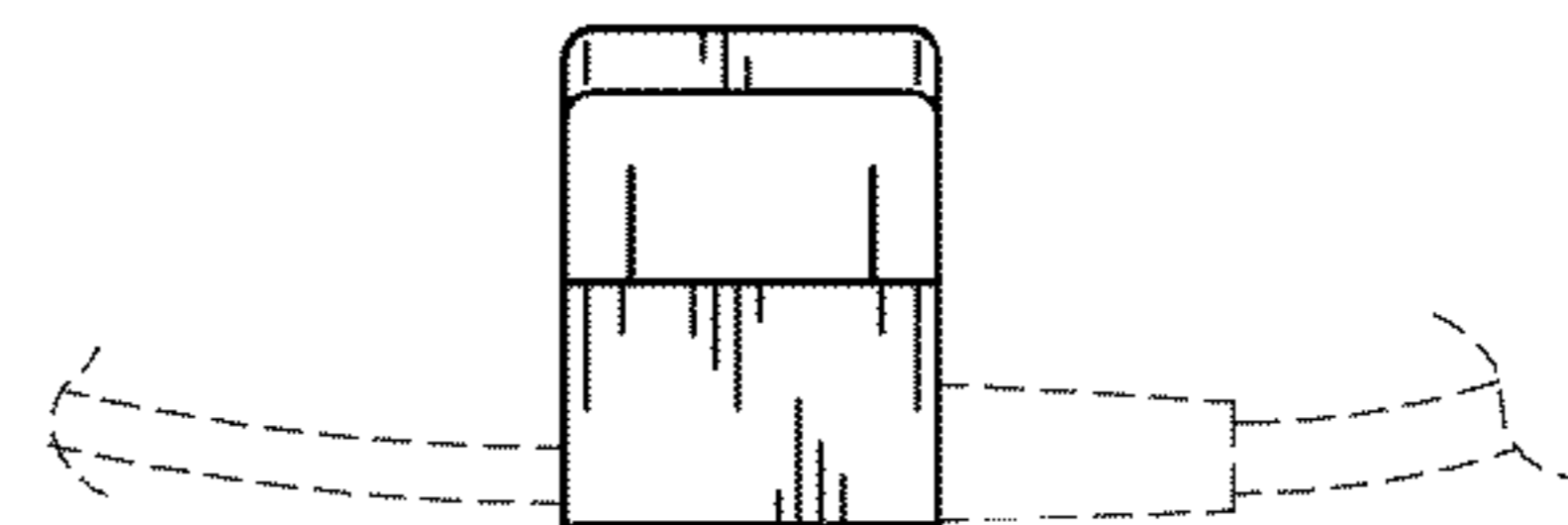


FIG. 5

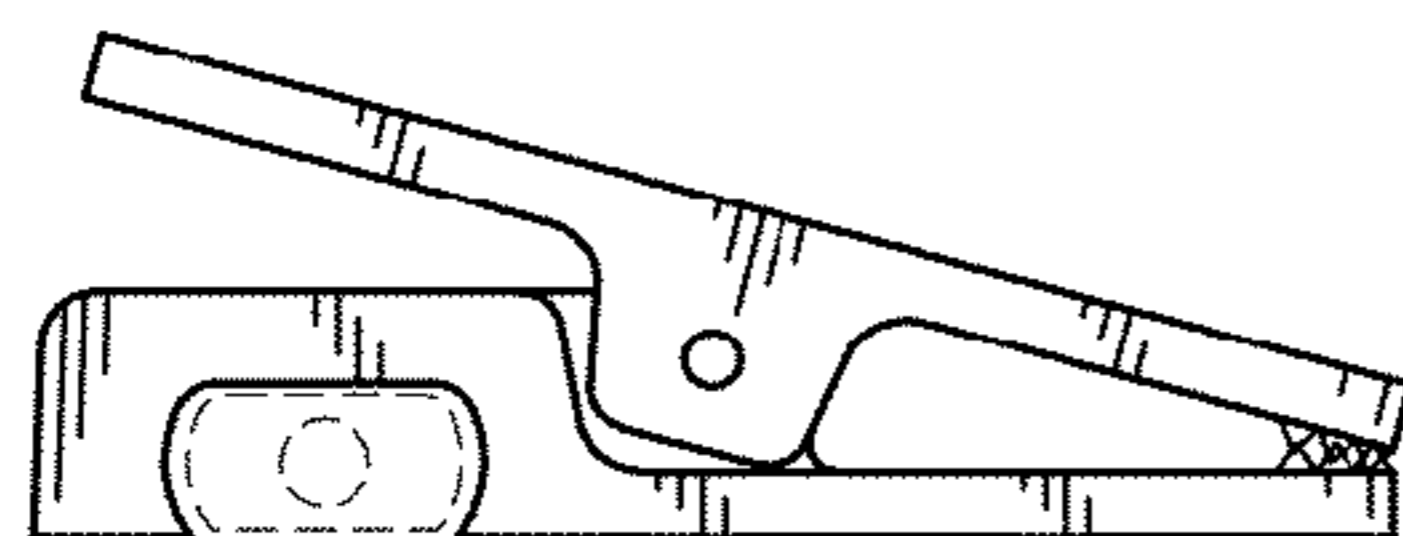


FIG. 6

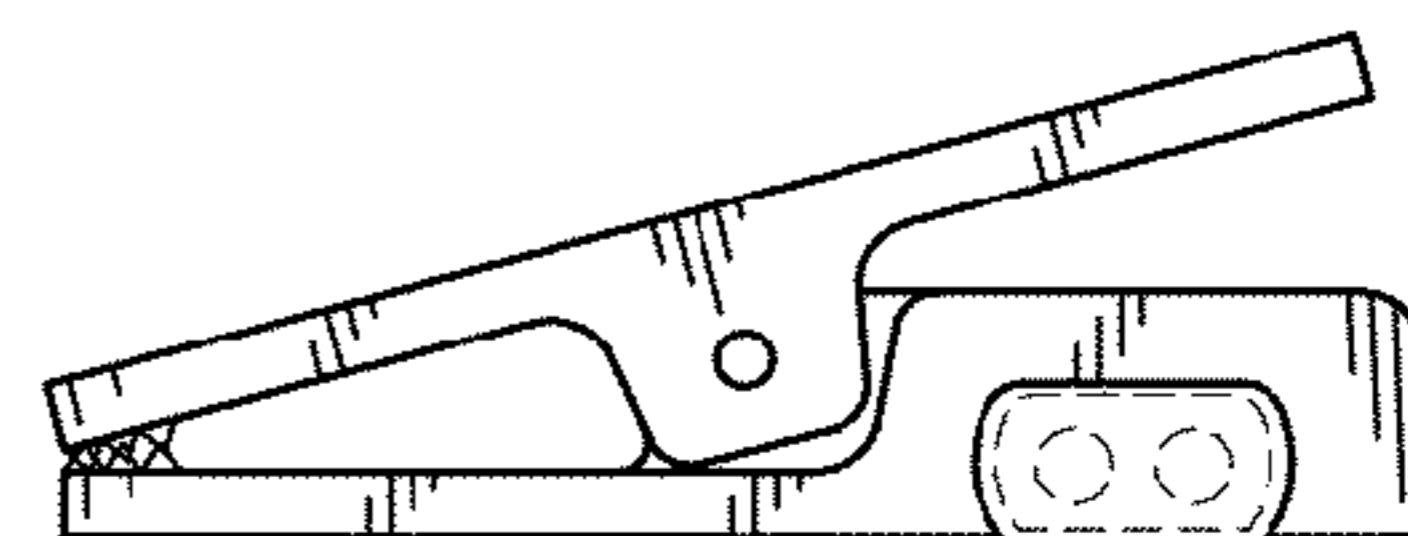


FIG. 7