



US00D742352S

(12) **United States Design Patent**
Nardin et al.

(10) **Patent No.:** **US D742,352 S**
(45) **Date of Patent:** **** Nov. 3, 2015**

(54) **AMPLIFIER**

(71) Applicant: **DEVIALET**, Paris (FR)

(72) Inventors: **Emmanuel Nardin**, Vanves (FR);
Fabien Deboves, Vanves (FR); **Francois Mestres**, Lille (FR); **Sylvain Gerber**, Cachan (FR); **Gregory Cibert**, Paris (FR); **Nicolas Regentete**, Paris (FR); **Xavier Flavard**, Paris (FR)

(73) Assignee: **DEVIALET**, Paris (FR)

(**) Term: **14 Years**

(21) Appl. No.: **29/485,704**

(22) Filed: **Mar. 21, 2014**

(30) **Foreign Application Priority Data**

Sep. 23, 2013 (EM) 002314039-0001

(51) **LOC (10) Cl.** **14-03**

(52) **U.S. Cl.**
USPC **D14/188**

(58) **Field of Classification Search**
USPC D14/496, 498-511, 157, 168-171,
D14/188-198, 203.1-203.7, 210, 214-216;
312/7.1; 369/6-12; 370/342-344;
455/90.1-90.3, 344-355; 381/120
CPC H04B 1/06; H04B 1/08; H04B 1/086;
H04M 1/04; H04M 1/21; H04W 4/02; H04W
4/06

See application file for complete search history.

(56) **References Cited**

U.S. PATENT DOCUMENTS

D578,505 S *	10/2008	Tejima et al.	D14/188
D648,313 S *	11/2011	Nardin et al.	D14/188
D656,121 S *	3/2012	Sugita	D14/188
D662,076 S *	6/2012	Ryu et al.	D14/188
D684,193 S *	6/2013	Maier et al.	D14/496
D696,692 S *	12/2013	Park et al.	D14/496
D696,693 S *	12/2013	Kim et al.	D14/496
D699,211 S *	2/2014	Koiwa	D14/188

* cited by examiner

Primary Examiner — Sandra Morris

(74) *Attorney, Agent, or Firm* — Stephen J. Weyer; Stites & Harbison

(57) **CLAIM**

The ornamental design for an amplifier, as shown and described.

DESCRIPTION

FIG. 1 is a front view of an amplifier showing the new design. FIG. 2 is a rear view thereof.

FIG. 3 is a right side view thereof, the left side view being a mirror image of the right side view.

FIG. 4 is a bottom view thereof.

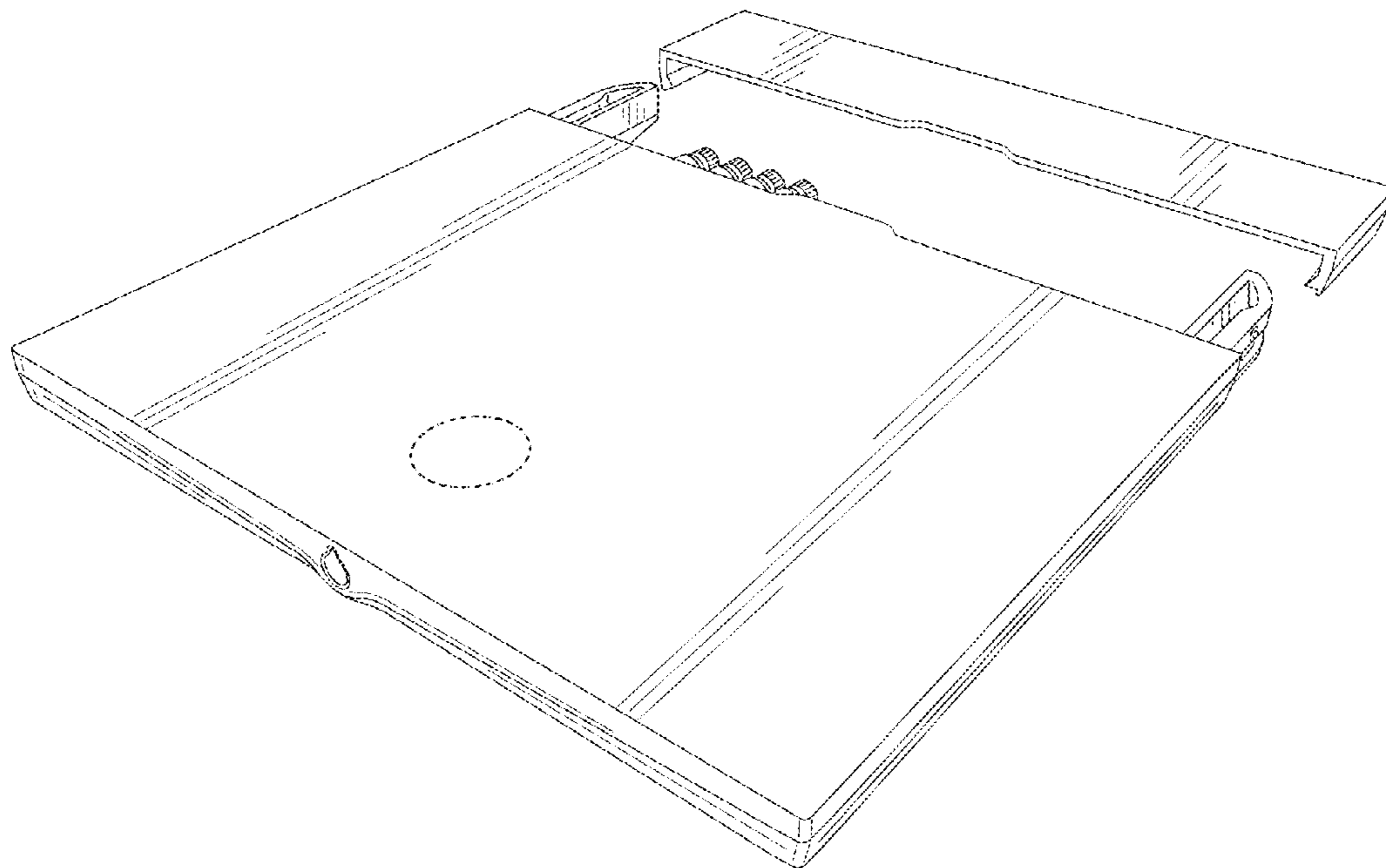
FIG. 5 is a front, top and right side perspective view thereof.

FIG. 6 is a front, top and right side perspective view thereof with the removable rear cover displaced from the remainder of the amplifier; and,

FIG. 7 is a front, bottom and left side perspective view thereof.

The broken lines shown in the drawings illustrate portions of the amplifier that form no part of the claimed design.

1 Claim, 5 Drawing Sheets



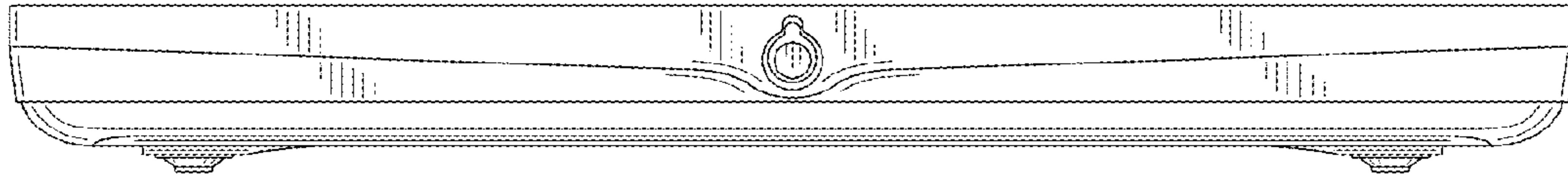


FIG. 1

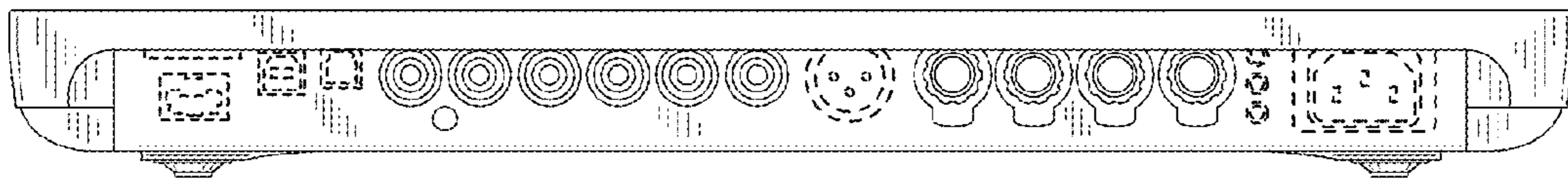


FIG. 2

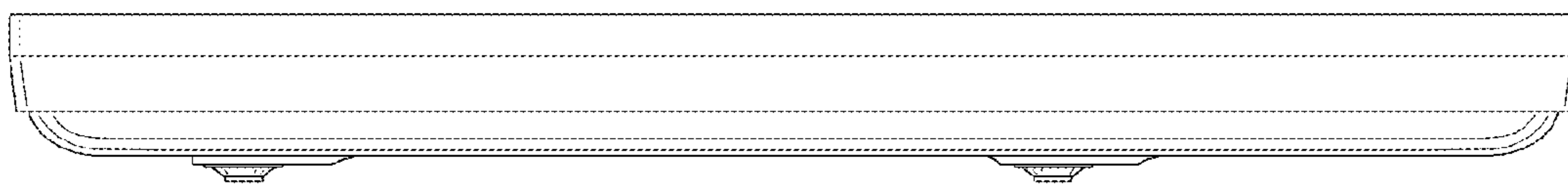


FIG. 3

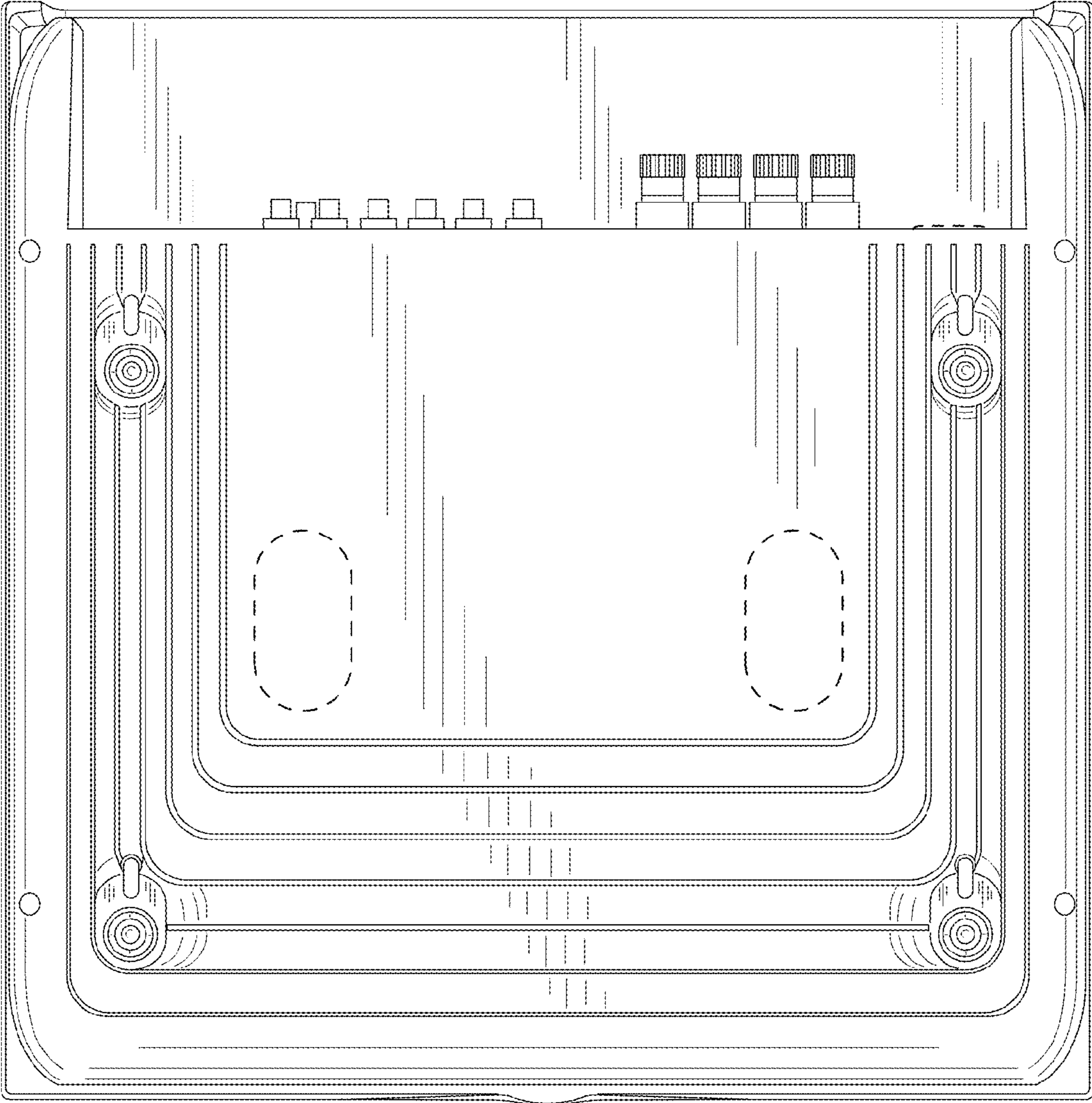


FIG. 4

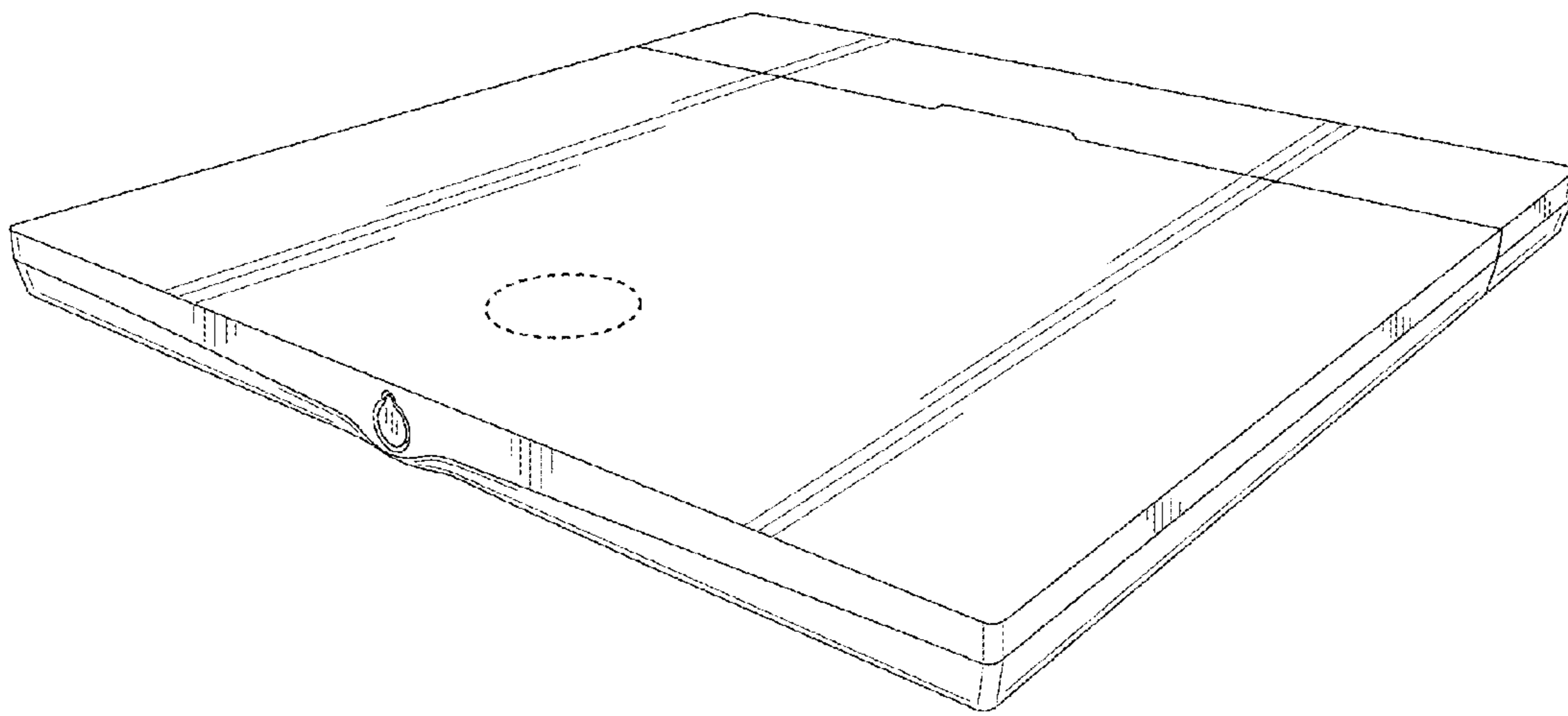


FIG. 5

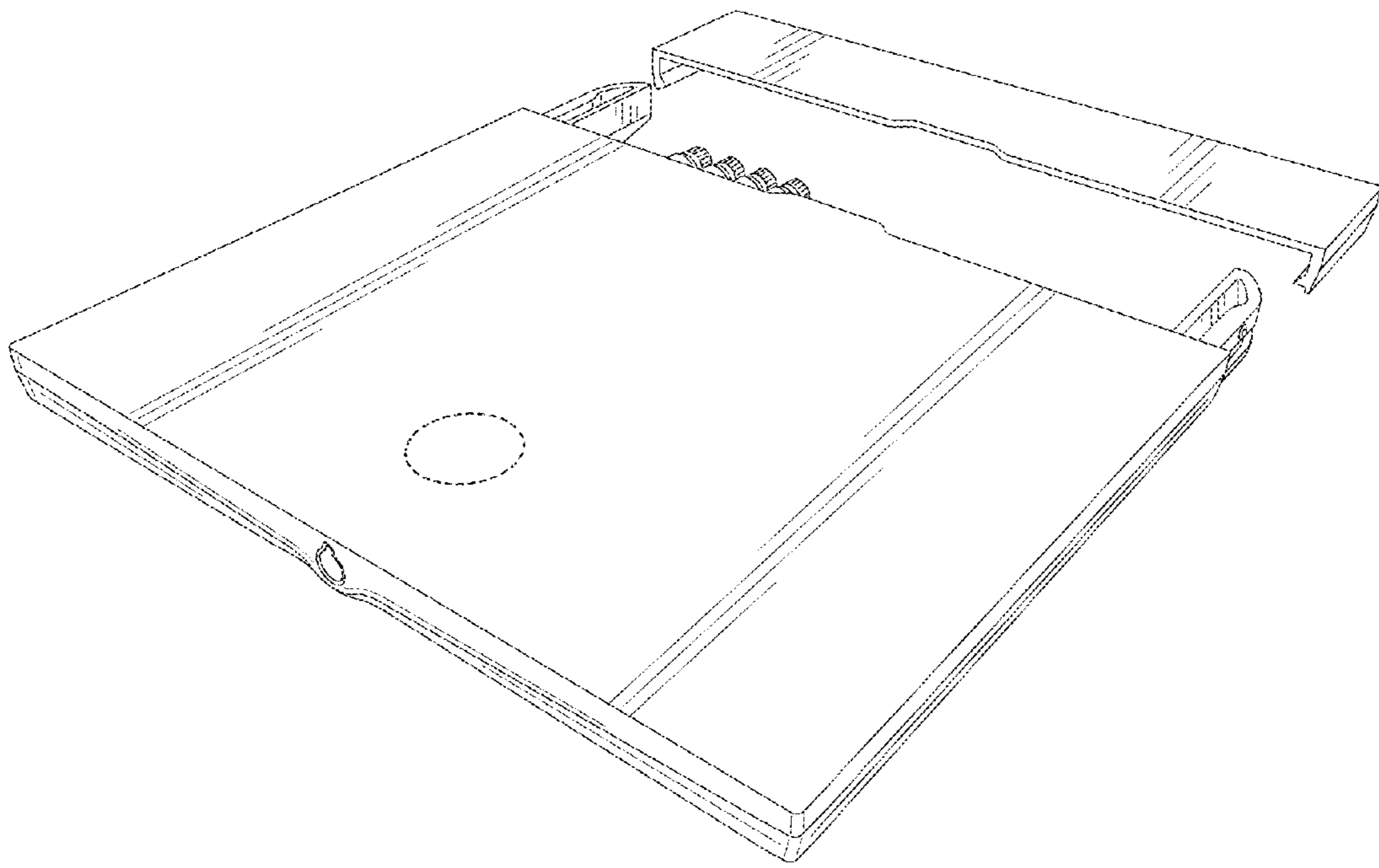


FIG. 6

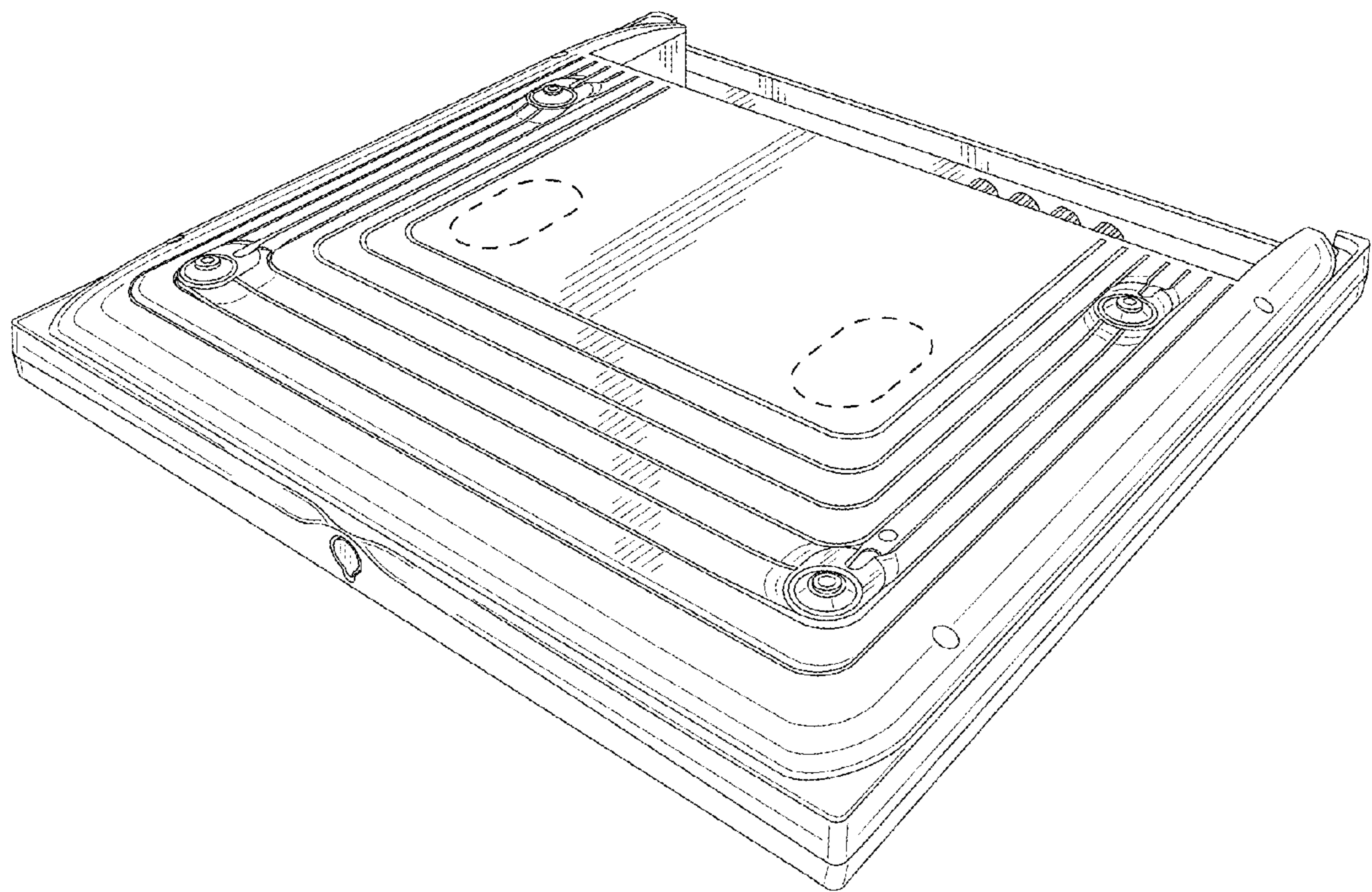


FIG. 7