



US00D742346S

(12) **United States Design Patent**
Huang et al.

(10) **Patent No.:** **US D742,346 S**
(45) **Date of Patent:** **** Nov. 3, 2015**

(54) **DISPLAY DEVICE**

(71) Applicant: **Jet Optoelectronics Co., Ltd.**, Taipei (TW)

(72) Inventors: **Wei-Li Huang**, Taipei (TW); **Michael Tai-Hao Wen**, Taipei (TW)

(73) Assignee: **Jet Optoelectronics Co., Ltd.**, Taipei (TW)

(**) Term: **14 Years**

(21) Appl. No.: **29/487,312**

(22) Filed: **Apr. 8, 2014**

(51) **LOC (10) Cl.** **14-03**

(52) **U.S. Cl.**
USPC **D14/129**

(58) **Field of Classification Search**
USPC D14/125–134, 239, 371, 136, 374–377, D14/440, 450, 448, 336, 342, 159; 312/7.2; 348/836, 838, 180, 184, 325, 739; 248/917–924, 465; 345/104, 133, 156, 345/168, 87, 173; D21/329, 515, 577, 622, D21/333, 433, 448, 452, 450, 331, 505; D10/15, 26; 446/484, 175, 356; D6/477, 479, 300
CPC ... G06F 1/1601; G06F 1/1643; H05K 5/0004; H05K 5/0017; H05K 5/02; H05K 5/0217
See application file for complete search history.

(56) **References Cited**

U.S. PATENT DOCUMENTS

6,669,285	B1 *	12/2003	Park et al.	297/217.3
D590,787	S *	4/2009	Vitito	D14/126
D597,980	S *	8/2009	Vitito	D14/129
D654,991	S *	2/2012	Oliveira	D23/280.1
D671,939	S	12/2012	Chung	
D691,103	S *	10/2013	Tuccinardi et al.	D14/129
9,016,627	B2 *	4/2015	Margis et al.	244/118.6
2003/0137584	A1 *	7/2003	Norvell et al.	348/61
2004/0032543	A1 *	2/2004	Chang	348/837
2004/0227861	A1 *	11/2004	Schedivy	348/837
2006/0148577	A1 *	7/2006	Vitito	463/46

* cited by examiner

Primary Examiner — Raphael Barkai
(74) *Attorney, Agent, or Firm* — Gokalp Bayramoglu

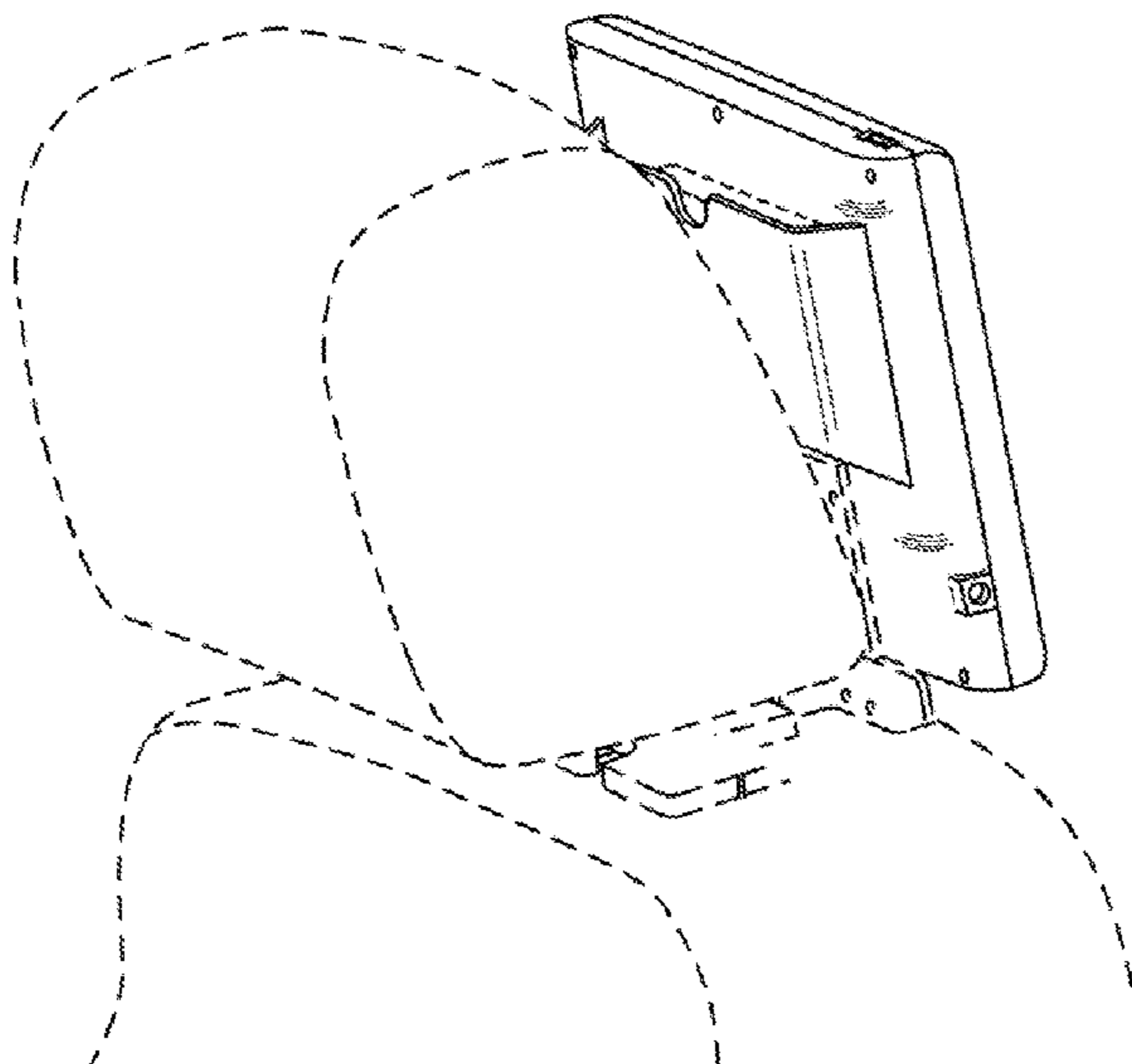
(57) **CLAIM**

The ornamental design for a display device, as shown and described.

DESCRIPTION

FIG 1 is the back view of the display device; FIG. 2 is another view of the display device in which a mobile phone shown in broken lines for environmental purposes only and forms no part of the claimed design illustrates an example of how the mobile phone may be docketed in the display device, this figure also shows the side of the display device, the other side of the display device is identical to the side shown in this drawing; and, FIG. 3 is the view of the display device showing it with a vehicle seat. The front of the display device is flat and include no surface ornamentation. The bottom of the display device is flat and includes no surface ornamentation.

1 Claim, 2 Drawing Sheets



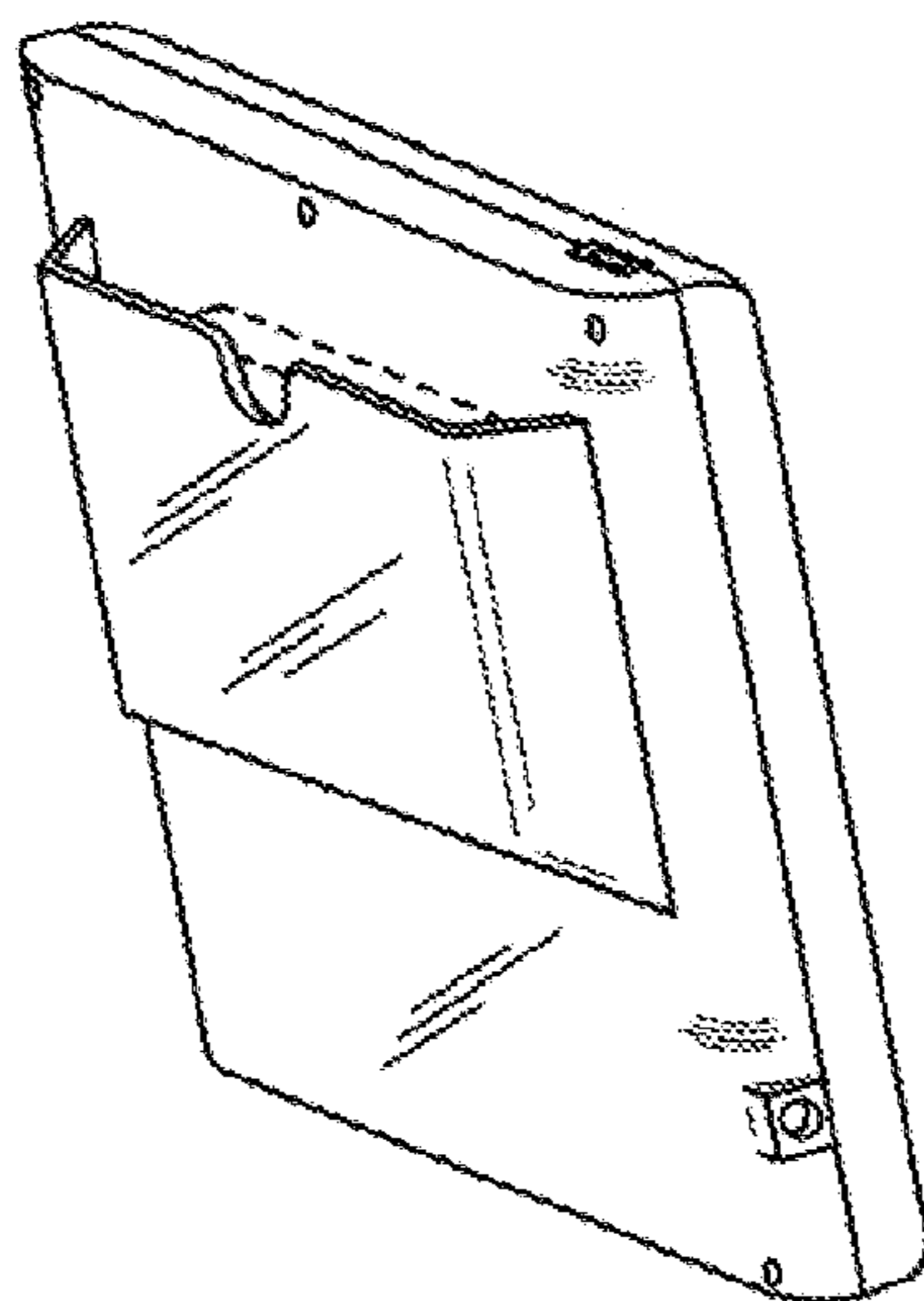


FIG. 1

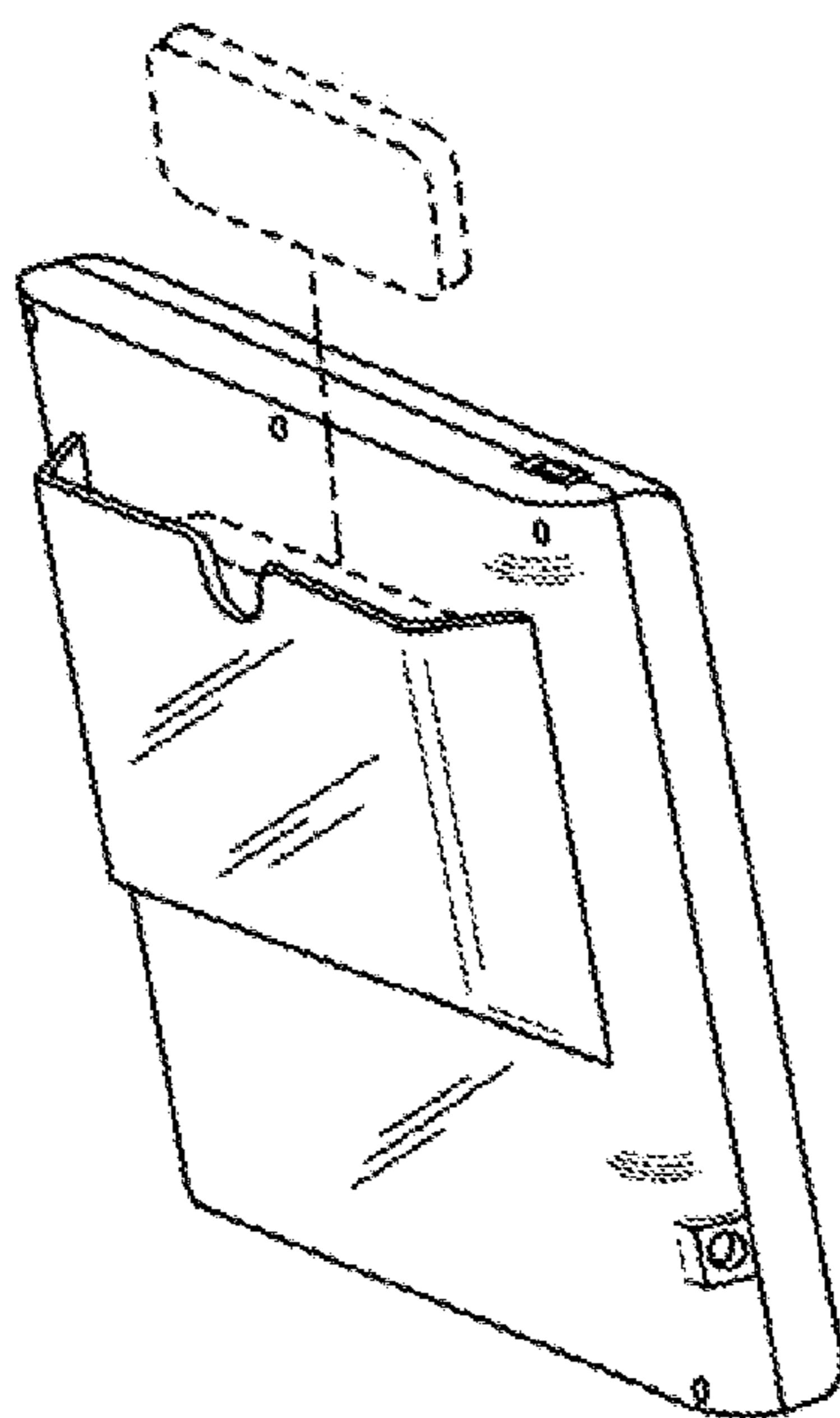


FIG. 2

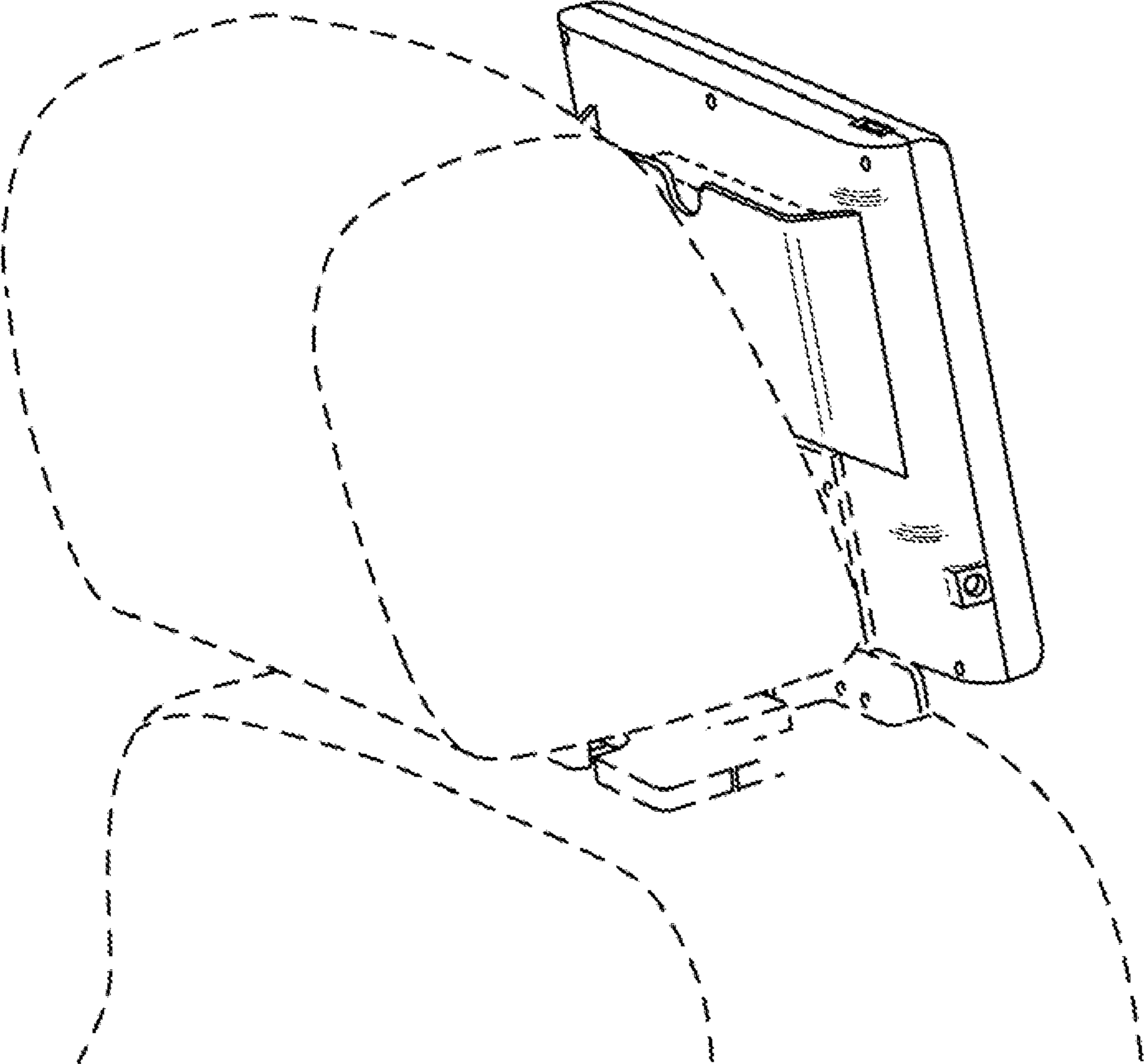


FIG. 3