



US00D742343S

(12) **United States Design Patent**
Moon et al.

(10) **Patent No.:** **US D742,343 S**
(45) **Date of Patent:** **** Nov. 3, 2015**

(54) **TV RECEIVER**

(71) Applicant: **Samsung Electronics Co., Ltd.**,
Suwon-si (KR)

(72) Inventors: **Sinwi Moon**, Seogwipo-si (KR);
Sungjin Ann, Seoul (KR)

(73) Assignee: **Samsung Electronics Co., Ltd.**,
Suwon-si (KR)

(**) Term: **14 Years**

(21) Appl. No.: **29/492,394**

(22) Filed: **May 30, 2014**

(30) **Foreign Application Priority Data**

Jan. 2, 2014 (KR) 30-2014-0000233

(51) **LOC (10) Cl.** **14-03**

(52) **U.S. Cl.**
USPC **D14/126; D14/129**

(58) **Field of Classification Search**
USPC D14/125-134, 239, 371, 136, 374-377,
D14/440, 450, 448, 336, 342, 159; 312/7.2;
348/836, 838, 180, 184, 325, 739;
248/917-924, 465; 345/104, 133, 156,
345/168, 87, 173; D21/329, 515, 577, 622,
D21/333, 433, 448, 452, 450, 331, 505;
D10/15, 26; 446/484, 175, 356;
D6/477, 479, 300
CPC ... G06F 1/1601; G06F 1/1643; H05K 5/0004;
H05K 5/0017; H05K 5/02; H05K 5/0217
See application file for complete search history.

(56) **References Cited**

U.S. PATENT DOCUMENTS

D548,708 S * 8/2007 Park et al. D14/126
D552,090 S * 10/2007 Kita D14/239

D637,573 S * 5/2011 Lee et al. D14/126
D666,165 S * 8/2012 Kim et al. D14/126
D670,256 S * 11/2012 Kim et al. D14/126
D682,272 S * 5/2013 Kim et al. D14/374
D684,944 S * 6/2013 Seong D14/126
D699,713 S * 2/2014 Seong D14/239
D706,734 S * 6/2014 Takami et al. D14/126
D720,316 S * 12/2014 Huh et al. D14/126
D721,666 S * 1/2015 Son et al. D14/126
D722,300 S * 2/2015 Won D14/126
D723,484 S * 3/2015 Hwangbo et al. D14/126
D723,527 S * 3/2015 Kim et al. D14/239
D725,060 S * 3/2015 Lam et al. D14/126
D726,137 S * 4/2015 Lee et al. D14/126
D728,537 S * 5/2015 Choi D14/239
D729,187 S * 5/2015 Kim et al. D14/126
D733,081 S * 6/2015 Won D14/126
D733,084 S * 6/2015 Son et al. D14/126

* cited by examiner

Primary Examiner — Raphael Barkai
(74) *Attorney, Agent, or Firm* — NSIP Law

(57) **CLAIM**

We claim the ornamental design for a TV receiver, as shown and described.

DESCRIPTION

FIG. 1 is a front perspective view of a TV receiver showing our new design;
FIG. 2 is a front view thereof;
FIG. 3 is a rear view thereof;
FIG. 4 is a left-side view thereof;
FIG. 5 is a right-side view thereof;
FIG. 6 is a top view thereof;
FIG. 7 is a bottom view thereof; and,
FIG. 8 is a rear perspective view thereof.
The broken lines in the figures show portions of the TV receiver which form no part of the claimed design.

1 Claim, 8 Drawing Sheets

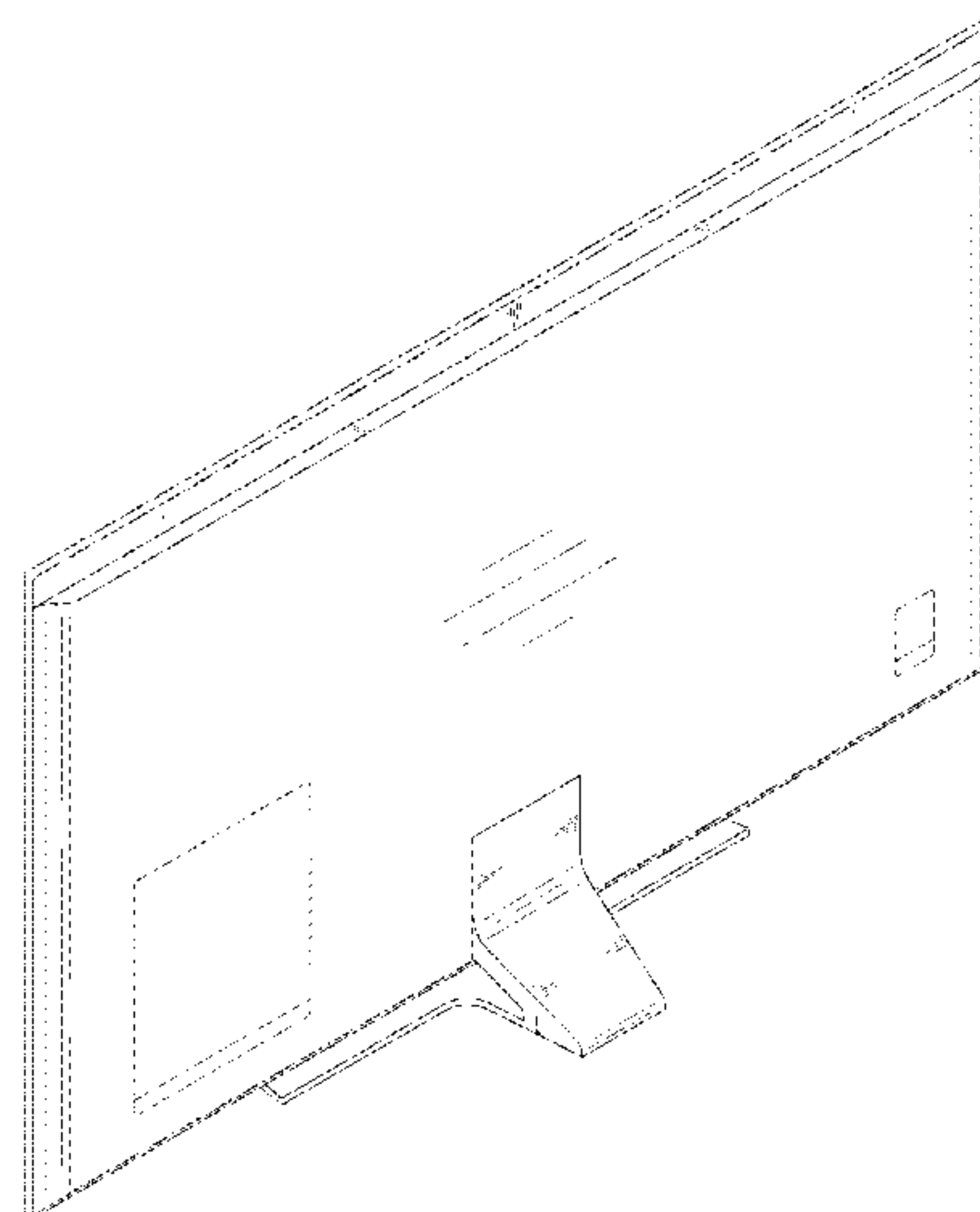
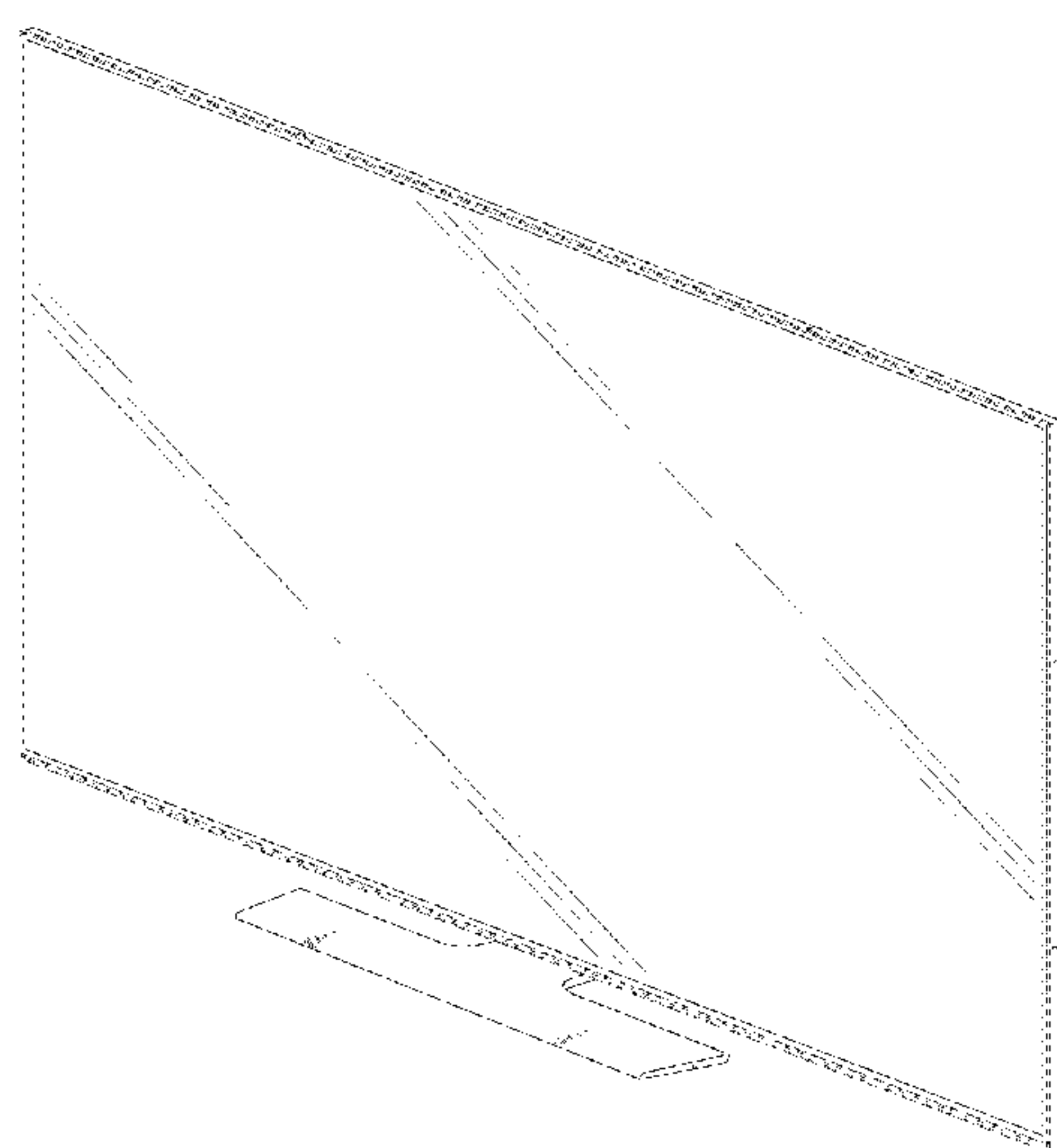


FIG. 1

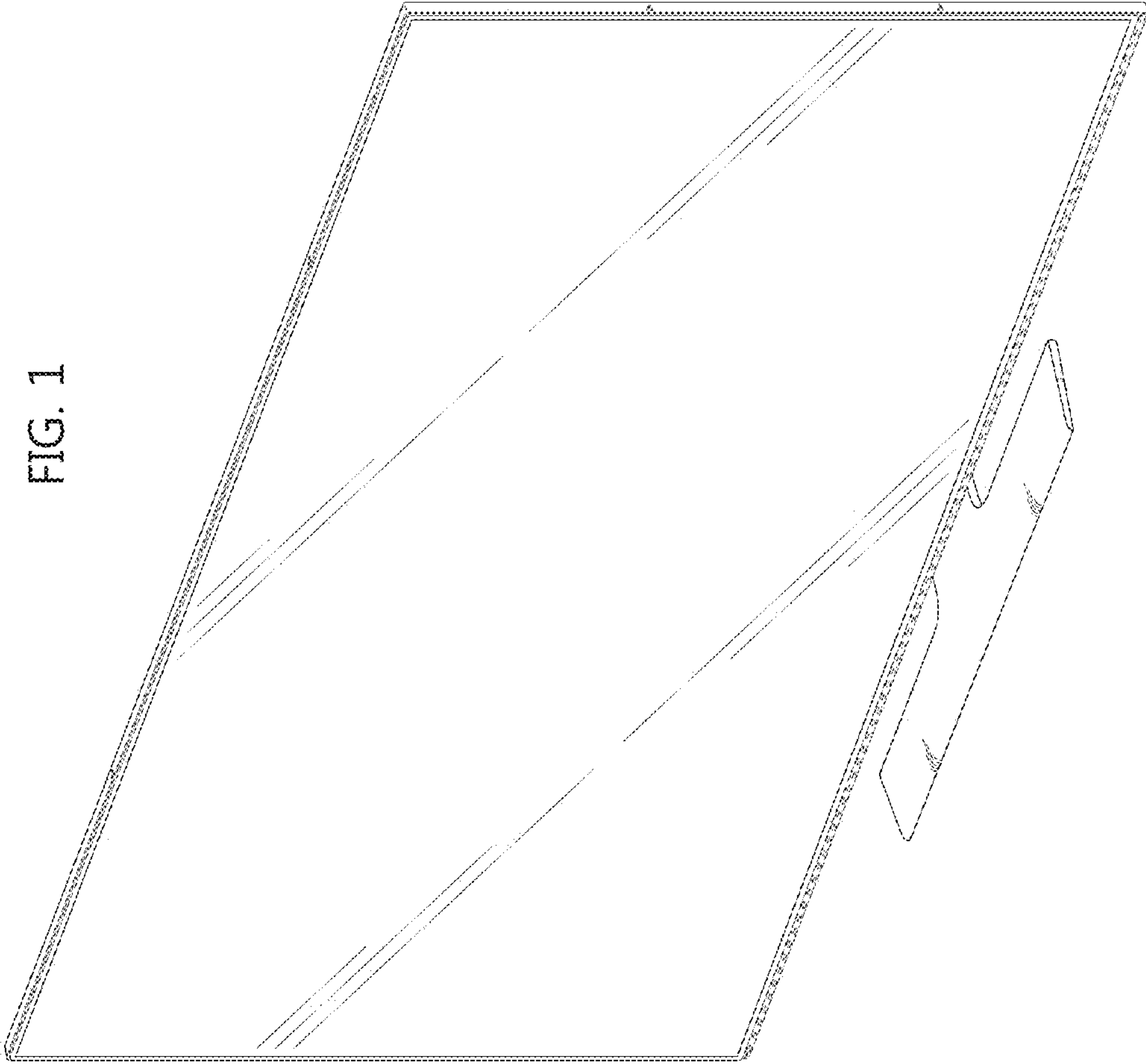


FIG. 2

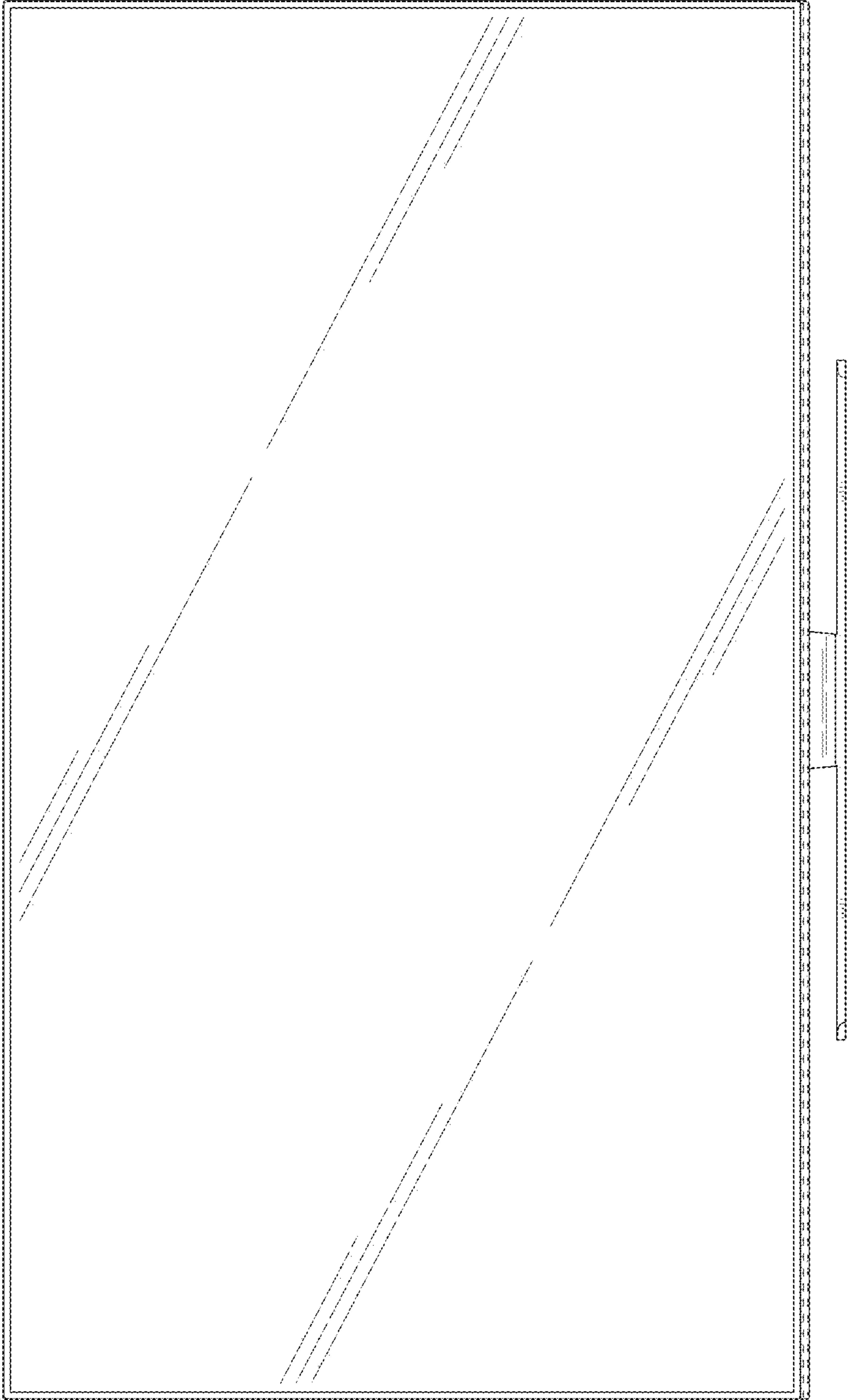


FIG. 3

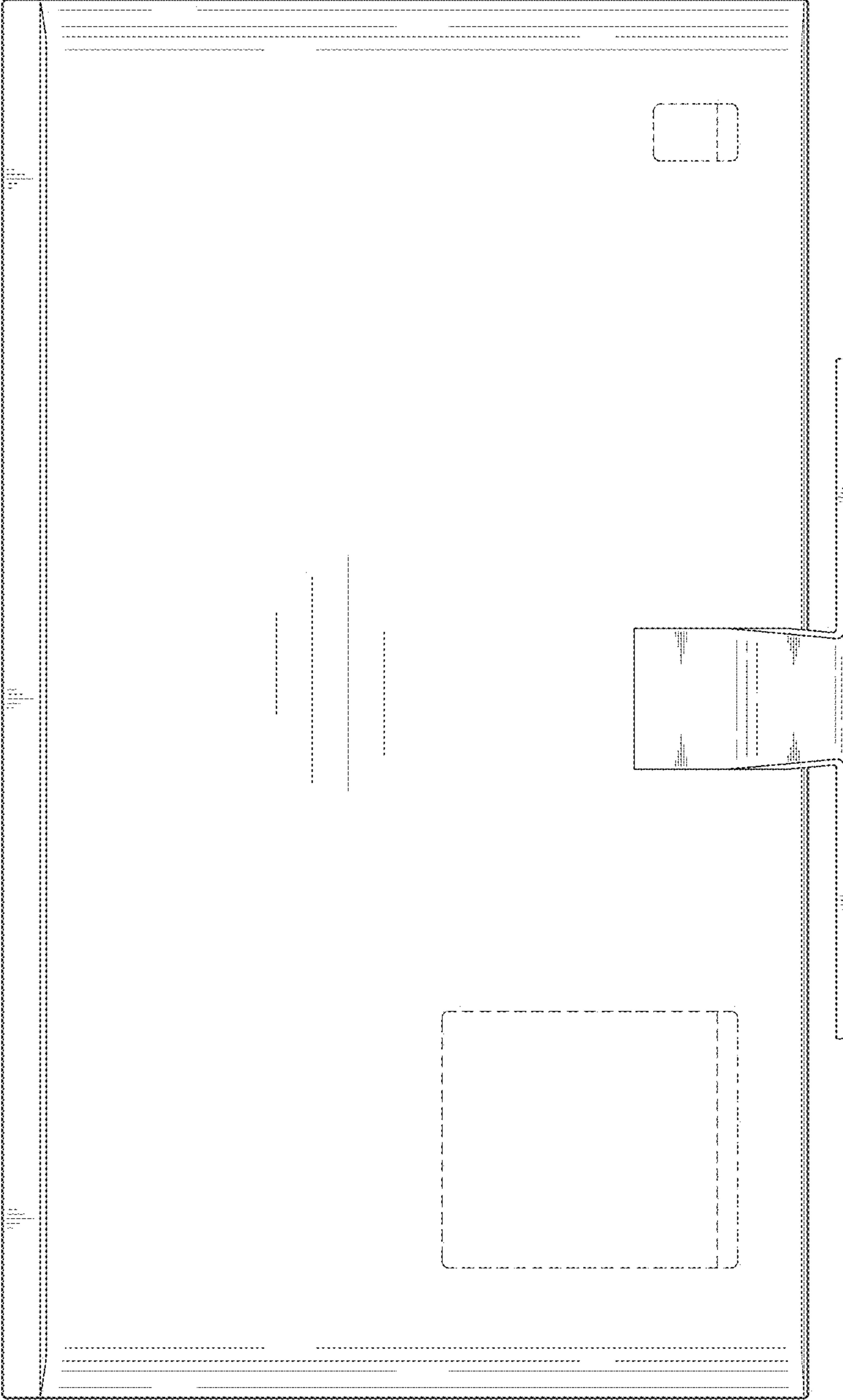


FIG. 4

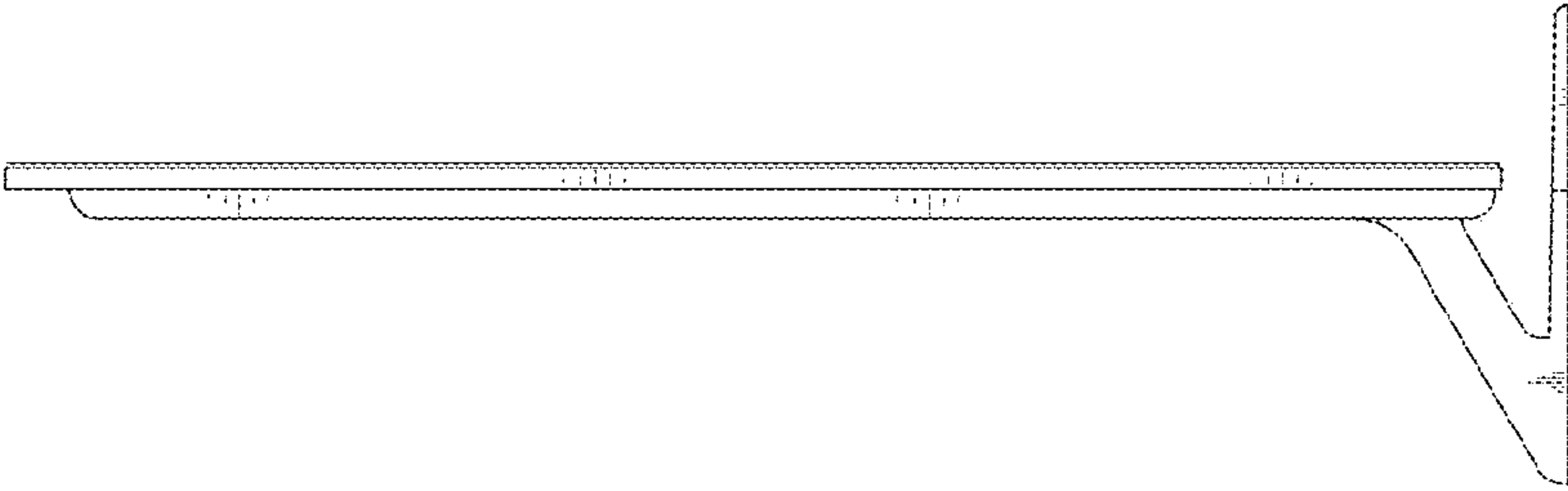


FIG. 5

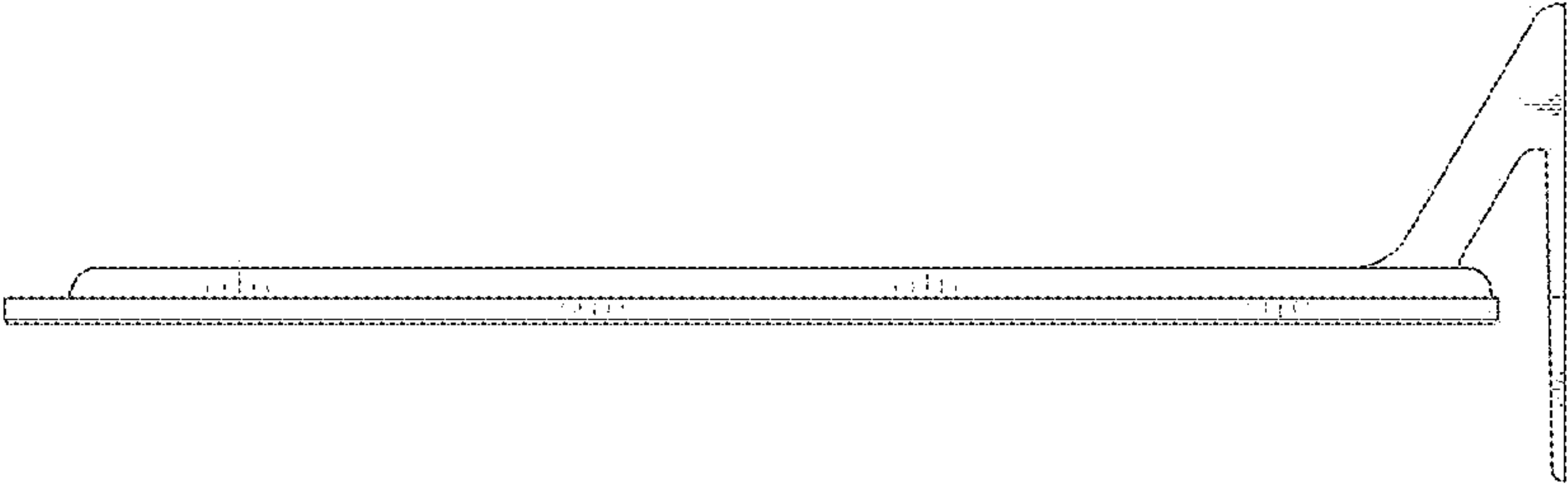


FIG. 6

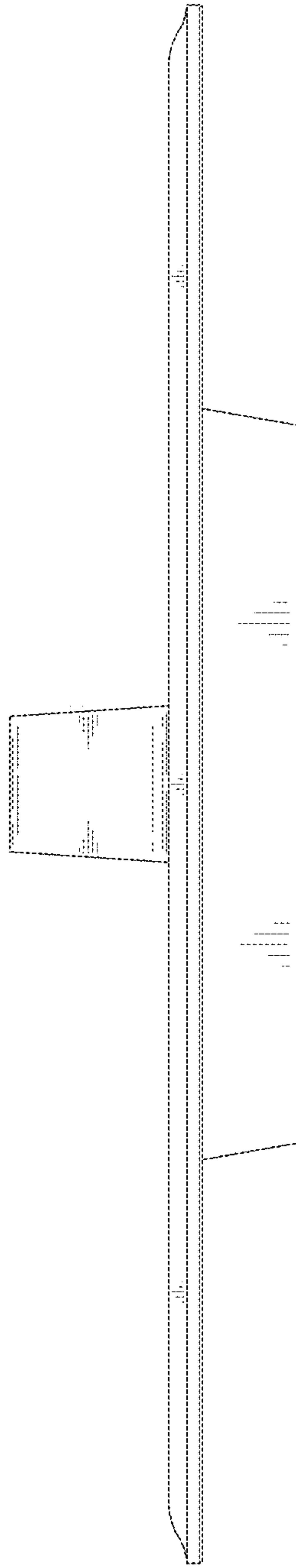


FIG. 7

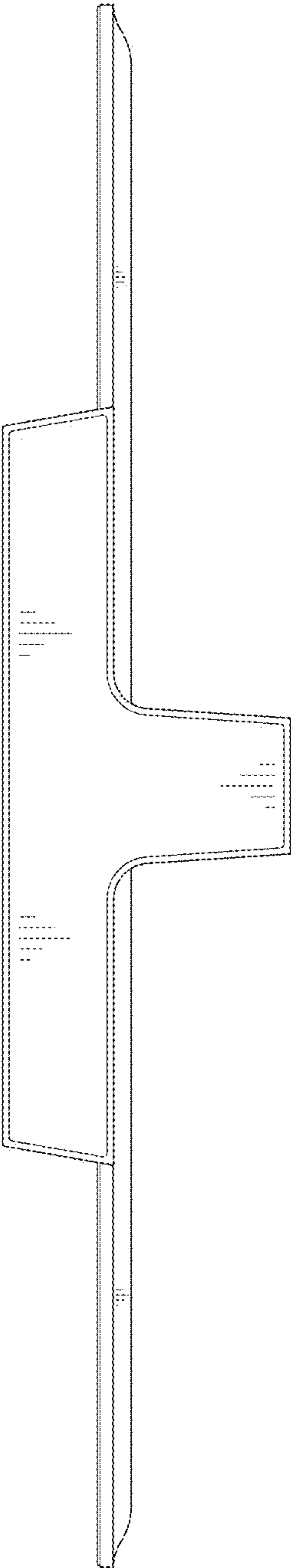


FIG. 8

