



US00D742342S

(12) **United States Design Patent**  
**Østensen et al.**

(10) **Patent No.:** **US D742,342 S**  
(45) **Date of Patent:** **\*\* Nov. 3, 2015**

(54) **VIDEO CONFERENCE SYSTEM ENDPOINT**

(71) Applicant: **Cisco Technology, Inc.**, San Jose, CA  
(US)

(72) Inventors: **Kristian Magnus Østensen**, Oslo (NO);  
**Vidar Borthne**, Oslo (NO); **Torkel Mellingen**, Oslo (NO)

(73) Assignee: **Cisco Technology, Inc.**, San Jose, CA  
(US)

(\*\*) Term: **14 Years**

(21) Appl. No.: **29/481,376**

(22) Filed: **Feb. 5, 2014**

(51) **LOC (10) Cl.** ..... **14-03**

(52) **U.S. Cl.**  
USPC ..... **D14/126**

(58) **Field of Classification Search**  
USPC ..... D14/125–134, 239, 371, 136, 374–377,  
D14/440, 450, 448, 336, 342, 159; 312/7.2;  
348/836, 838, 180, 184, 325, 739;  
248/917–924, 465; 345/104, 133, 156,  
345/168, 87, 173; D21/329, 515, 577, 622,  
D21/333, 433, 448, 452, 450, 331, 505;  
D10/15, 26; 446/484, 175, 356;  
D6/477, 479, 300; D24/185; D34/14  
CPC ... G06F 1/1601; G06F 1/1643; H05K 5/0004;  
H05K 5/0017; H05K 5/02; H05K 5/0217  
See application file for complete search history.

(56) **References Cited**

**U.S. PATENT DOCUMENTS**

5,687,939 A \* 11/1997 Moscovitch ..... 248/122.1  
5,904,328 A \* 5/1999 Leveridge et al. .... 248/124.1  
D589,511 S \* 3/2009 Han ..... D14/373  
D615,054 S \* 5/2010 Mellingen et al. .... D14/127  
D626,102 S \* 10/2010 Buzzard et al. .... D14/126  
D626,103 S \* 10/2010 Buzzard et al. .... D14/126  
D626,544 S \* 11/2010 Bleck et al. .... D14/307

D628,968 S \* 12/2010 Desai et al. .... D14/126  
D636,359 S \* 4/2011 Buzzard et al.  
D636,747 S \* 4/2011 Buzzard et al.  
D637,568 S \* 5/2011 Desai et al.  
D637,570 S \* 5/2011 Desai et al.  
D637,985 S \* 5/2011 Andresen ..... D14/129  
D651,185 S \* 12/2011 Andresen ..... D14/129  
D653,245 S \* 1/2012 Buzzard et al.  
D655,279 S \* 3/2012 Buzzard et al.  
D672,325 S \* 12/2012 Lu et al. .... D14/126  
D718,730 S \* 12/2014 Andresen et al. .... D14/126  
D720,710 S \* 1/2015 Aarrestad et al. .... D14/127

\* cited by examiner

*Primary Examiner* — Randall Gholson

(74) *Attorney, Agent, or Firm* — Edell, Shapiro & Finnan,  
LLC

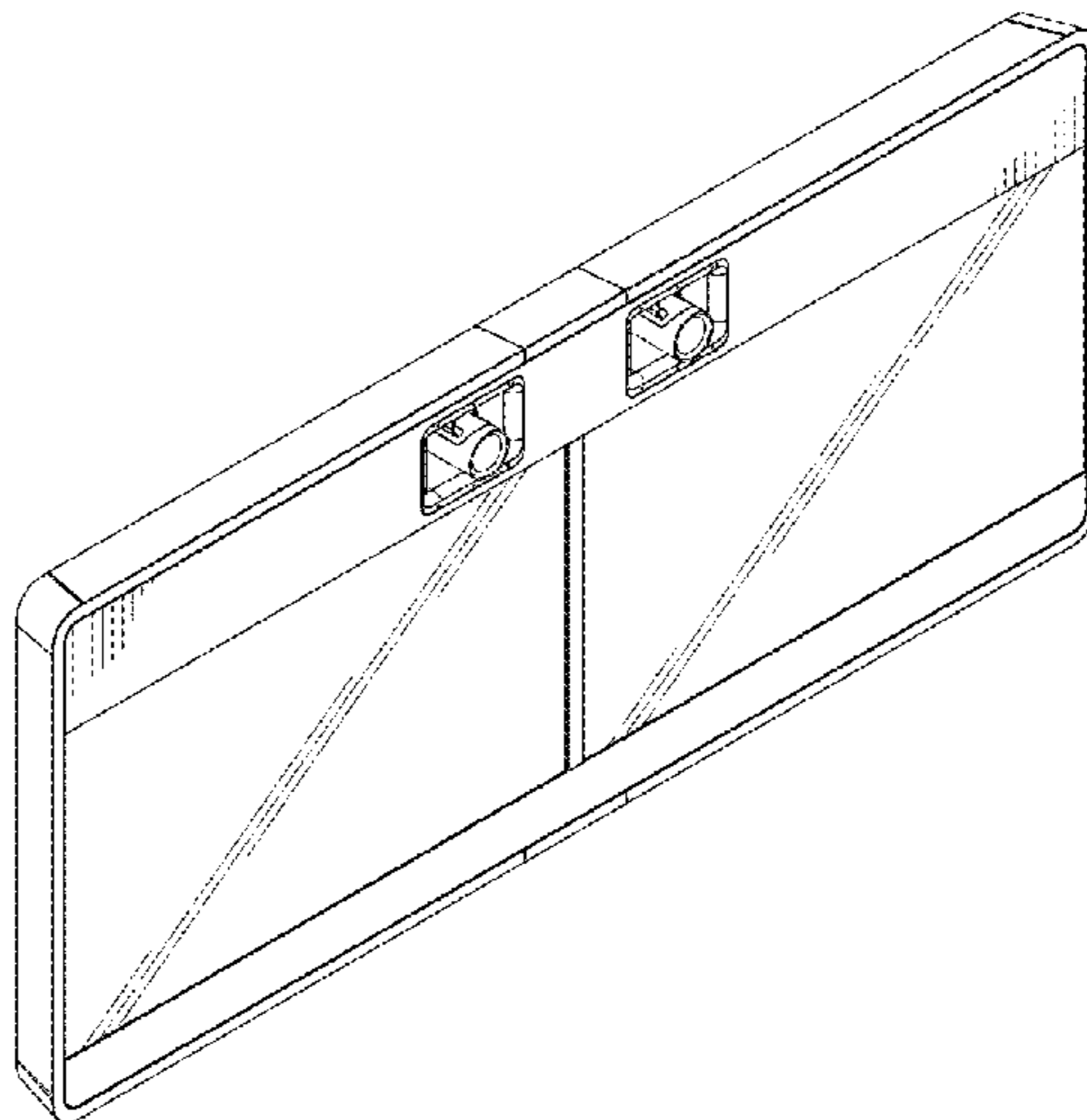
(57) **CLAIM**

The ornamental design for a video conference system end-  
point, as shown and described.

**DESCRIPTION**

FIG. 1 is a front perspective view of a video conference system endpoint;  
FIG. 2 is a rear perspective view of the video conference system endpoint of FIG. 1;  
FIG. 3 is a front elevation view of the video conference system endpoint of FIG. 1;  
FIG. 4 is a rear elevation view of the video conference system endpoint of FIG. 1;  
FIG. 5 is a first side elevation view of the video conference system endpoint of FIG. 1;  
FIG. 6 is a second side elevation view the video conference system endpoint of FIG. 1;  
FIG. 7 is a top plan view of the video conference system endpoint of FIG. 1; and,  
FIG. 8 is a bottom plan view the video conference system endpoint of FIG. 1.  
The broken lines depict portions of the video conference system endpoint that form no part of the claimed design.

**1 Claim, 4 Drawing Sheets**



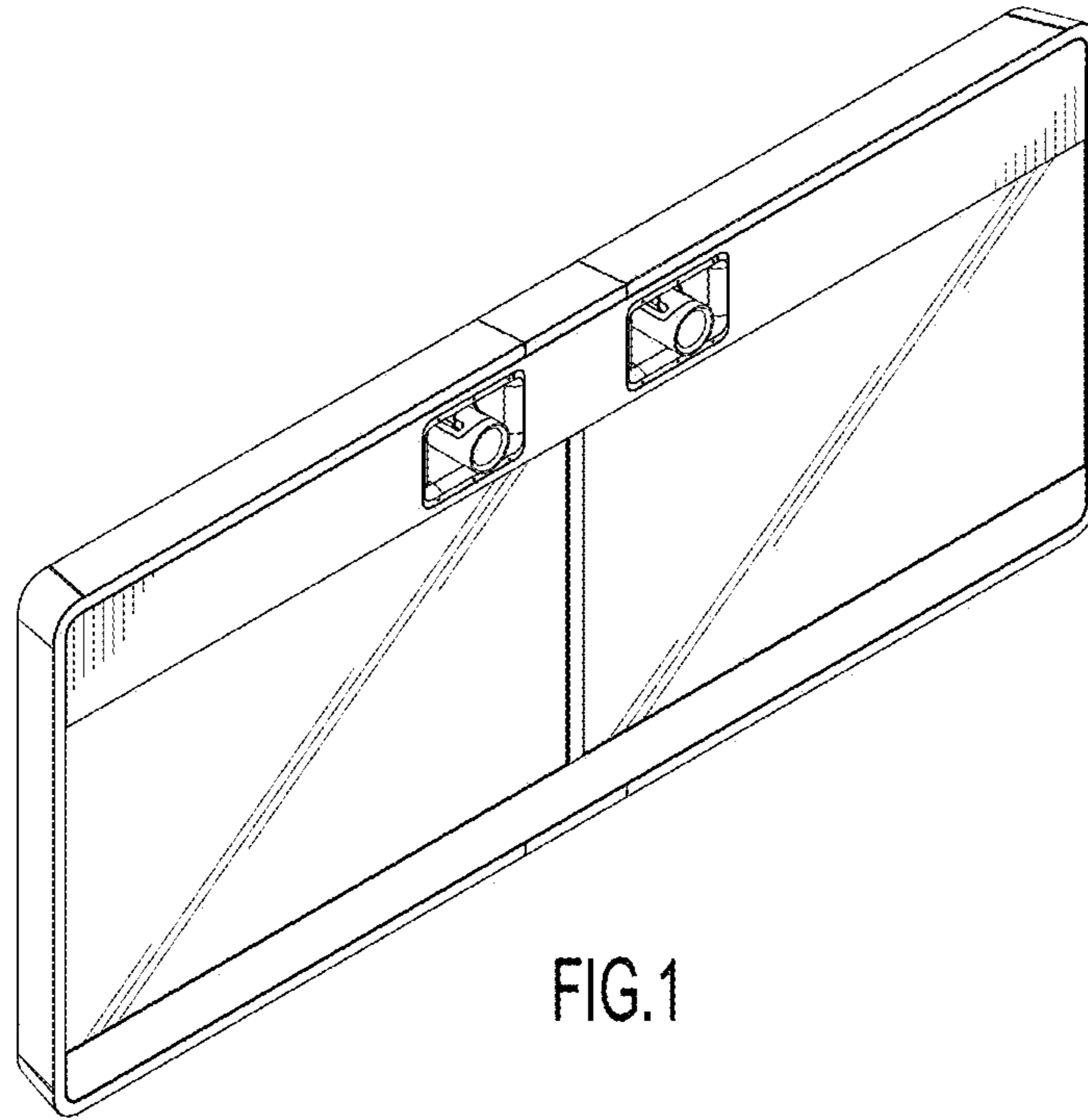


FIG.1

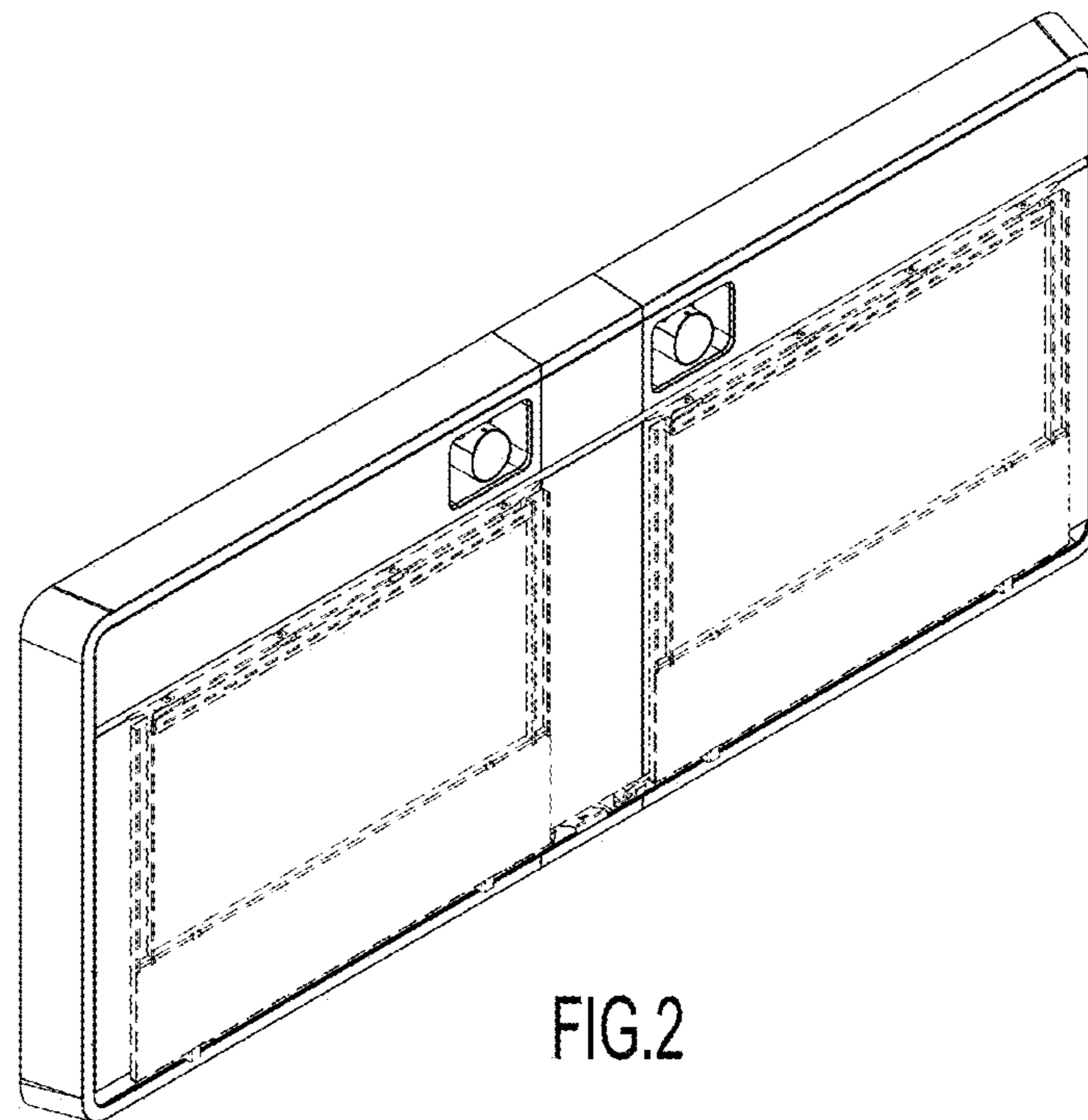


FIG.2

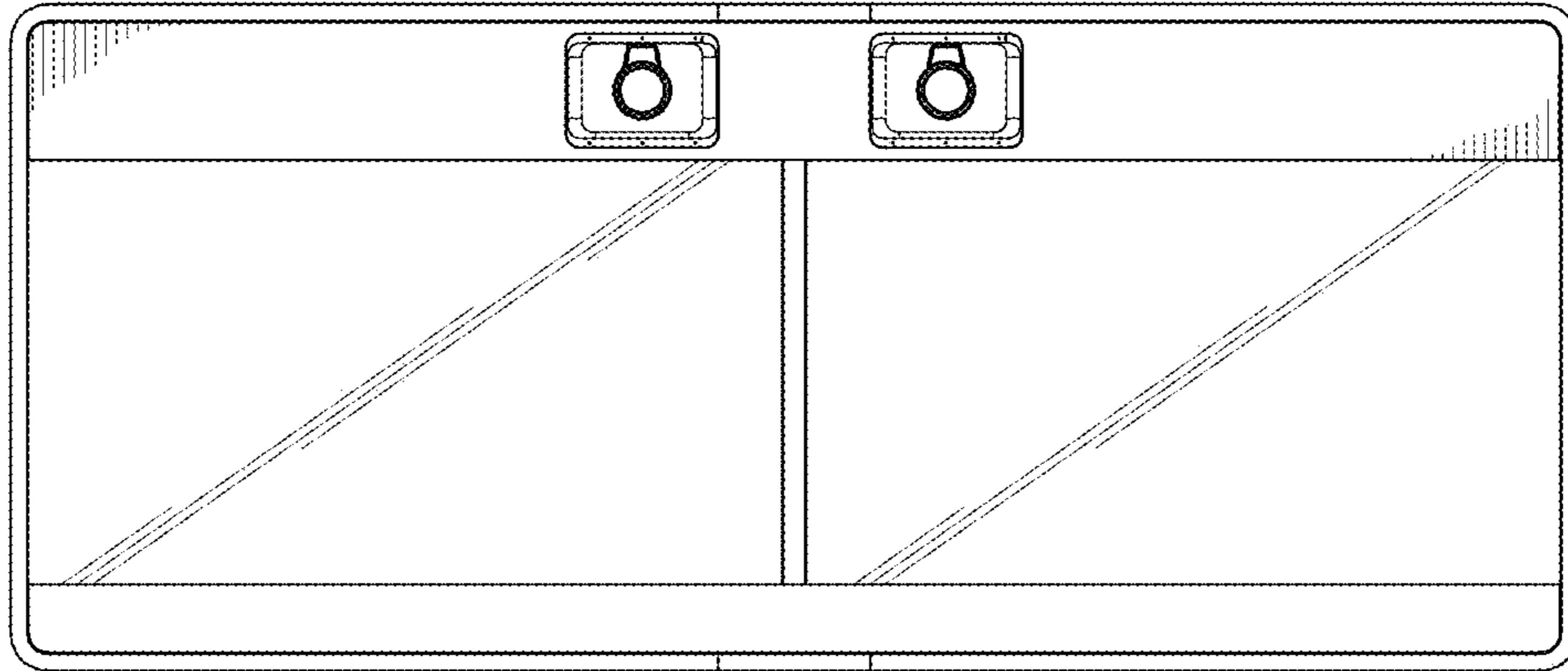


FIG.3

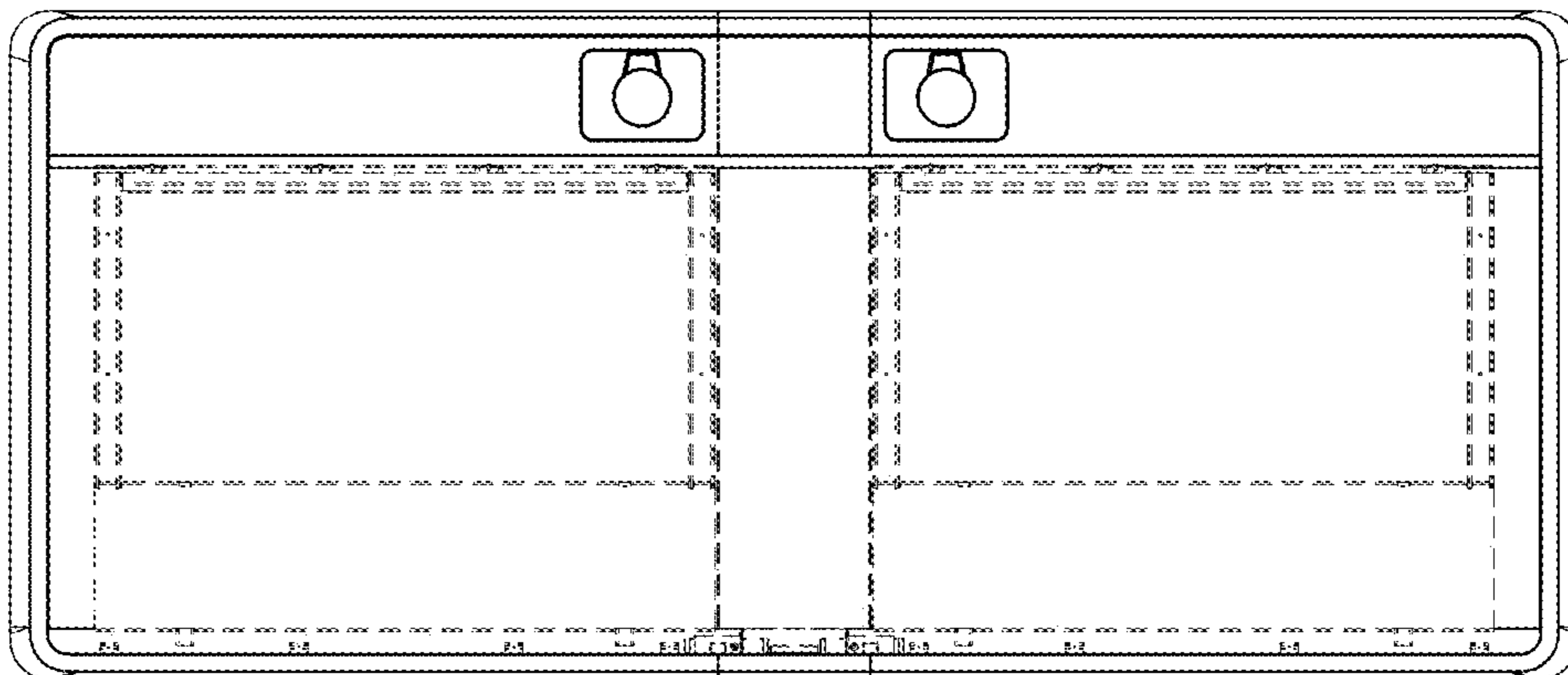


FIG.4

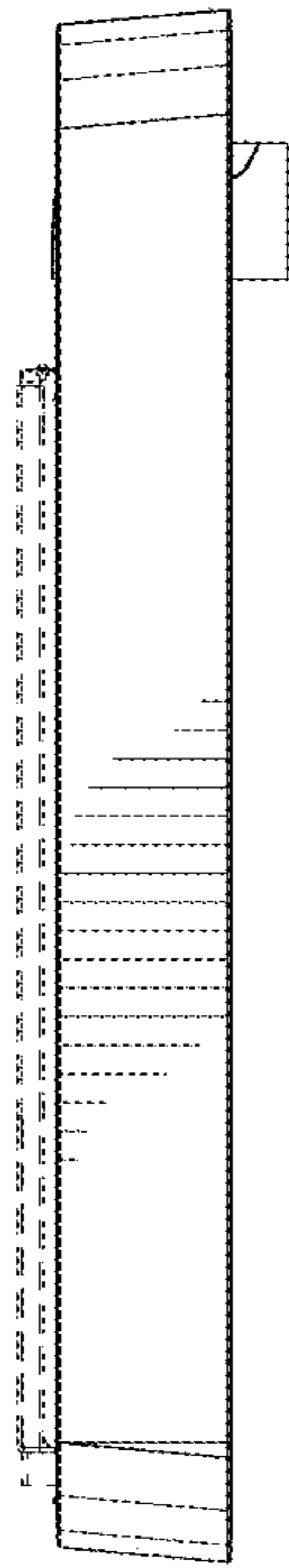


FIG.5

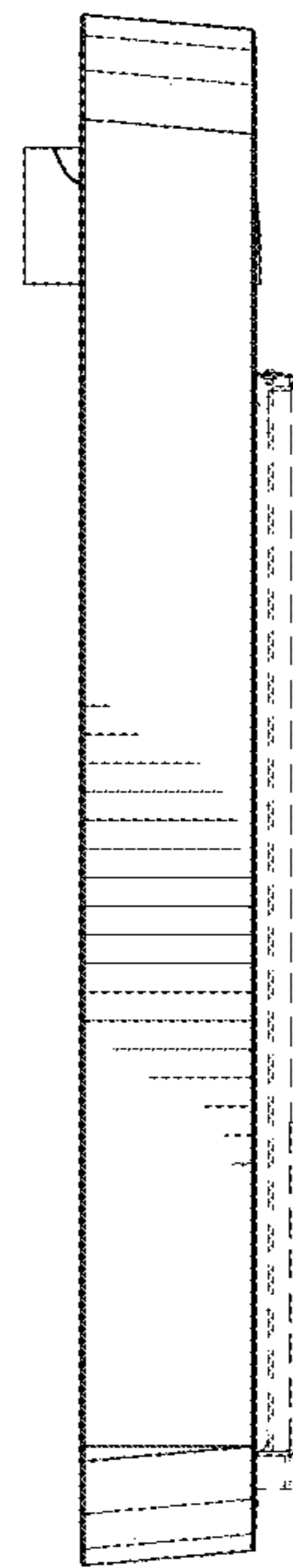


FIG.6

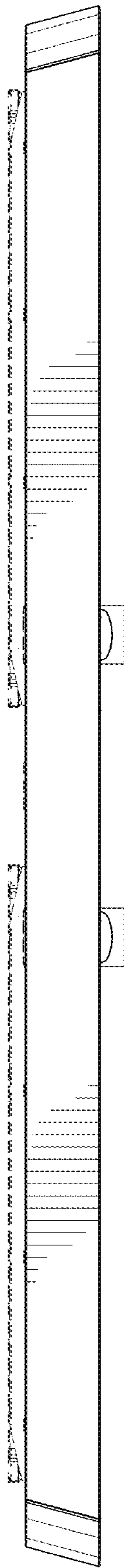


FIG.7

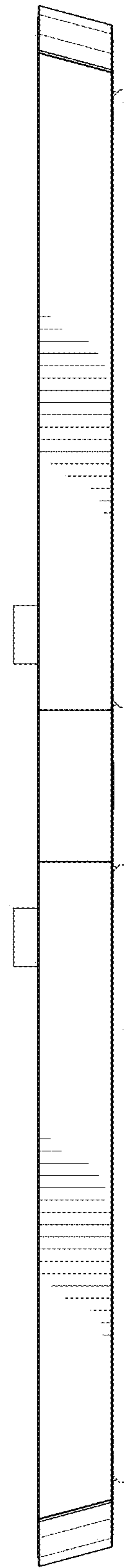


FIG.8