



US00D742340S

(12) **United States Design Patent**  
**Krivonak et al.**

(10) **Patent No.:** **US D742,340 S**

(45) **Date of Patent:** **\*\* Nov. 3, 2015**

(54) **ENCLOSURE FOR ELECTRONIC DEVICE**

(56)

**References Cited**

(71) Applicant: **General Electric Company**,  
Schenectady, NY (US)  
  
(72) Inventors: **Andrew Louis Krivonak**, Lawrence  
Park, PA (US); **Joseph Lauth**, Lawrence  
Park, PA (US)

U.S. PATENT DOCUMENTS

D245,905 S *	9/1977	Taylor .....	D13/184
D245,906 S *	9/1977	Taylor .....	D13/184
D400,512 S *	11/1998	Korhonen .....	D13/184
D402,275 S *	12/1998	Korhonen .....	D13/184
D435,524 S *	12/2000	Korhonen .....	D13/184
D605,143 S *	12/2009	Von Arx et al. ....	D13/184
D709,043 S *	7/2014	Isaacks .....	D13/184

\* cited by examiner

(73) Assignee: **General Electric Company**,  
Schenectady, NY (US)

*Primary Examiner* — Ian Simmons

*Assistant Examiner* — Harold Blackwell, II

(\*\*) Term: **14 Years**

(74) *Attorney, Agent, or Firm* — GE Global Patent  
Operation; John A. Kramer

(21) Appl. No.: **29/495,308**

(57) **CLAIM**

The ornamental design for an enclosure for electronic device,  
as shown and described.

(22) Filed: **Jun. 30, 2014**

**DESCRIPTION**

(51) **LOC (10) Cl.** ..... **13-03**

(52) **U.S. Cl.**  
USPC ..... **D13/184**

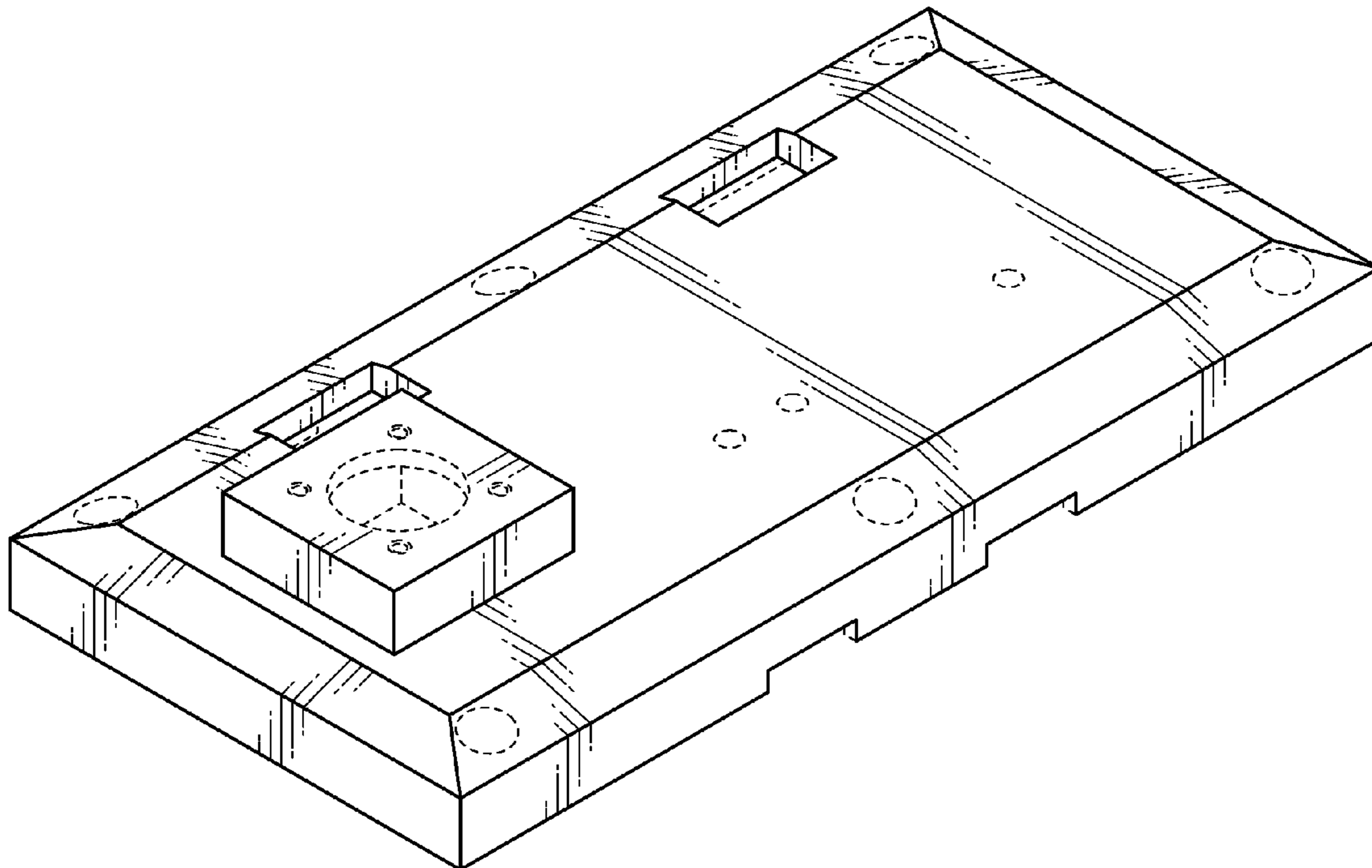
(58) **Field of Classification Search**  
USPC ..... D13/133, 139.3, 139.4, 152, 156, 155,  
D13/158, 160, 162, 184, 199; 174/3, 50,  
174/50.52, 53, 54, 57, 58, 59, 60; 220/3.2,  
220/3.3, 3.8, 4.02, 243, 244, 4.21; 439/135,  
439/367, 373, 535, 892

FIG. 1 is a perspective view of an enclosure for electronic  
device depicting a first embodiment of a new design;  
FIG. 2 is a top plan view thereof;  
FIG. 3 is a bottom plan view thereof;  
FIG. 4 is a front elevational view thereof;  
FIG. 5 is a rear side elevational view thereof  
FIG. 6 is a left side elevational view thereof; and,  
FIG. 7 is a right side elevational view thereof.  
The broken line portion of the drawings is included to show  
unclaimed portions of the enclosure for electronic device  
which form no part of the claimed design.

CPC ..... H02G 3/081

See application file for complete search history.

**1 Claim, 5 Drawing Sheets**



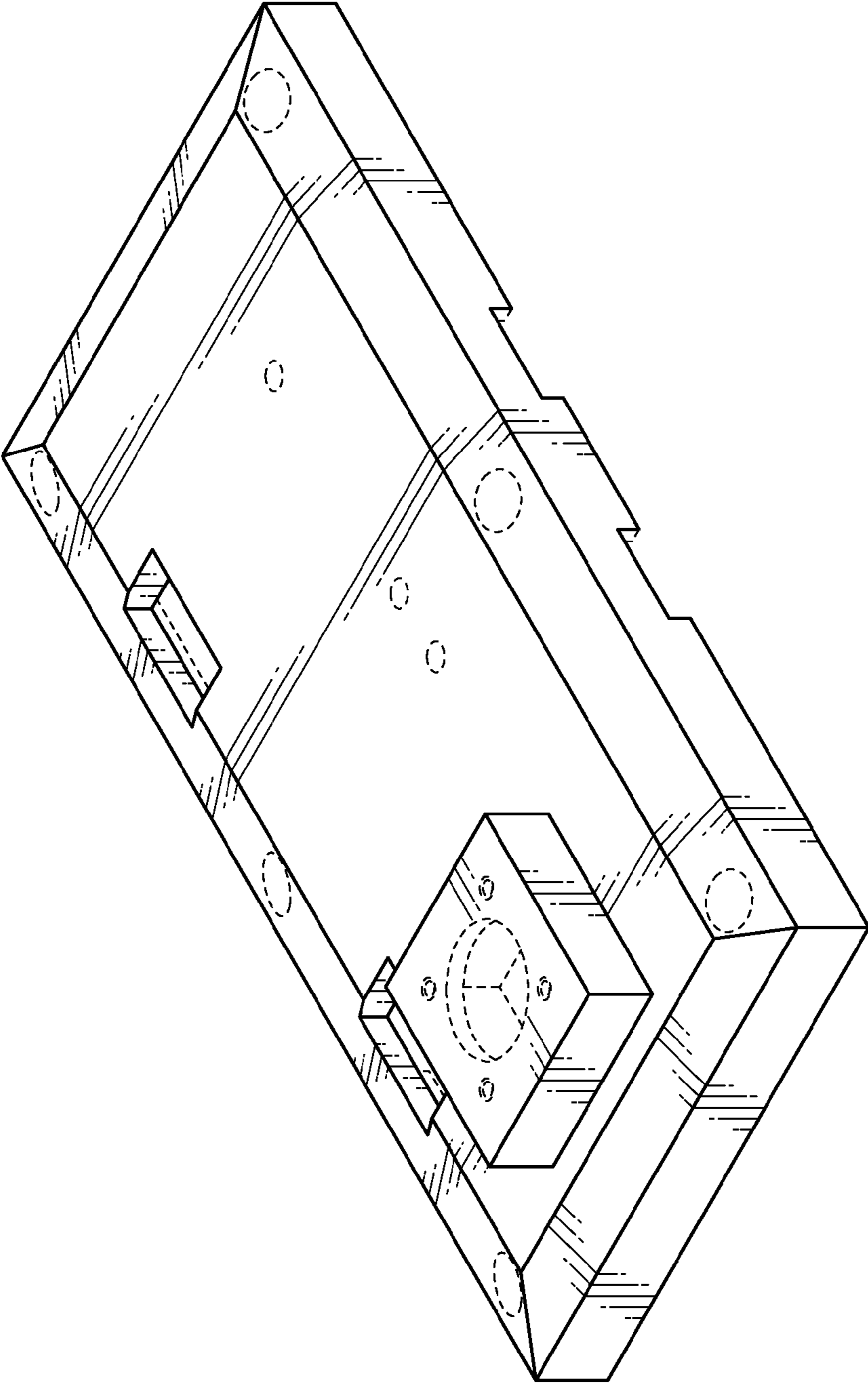


FIG. 1

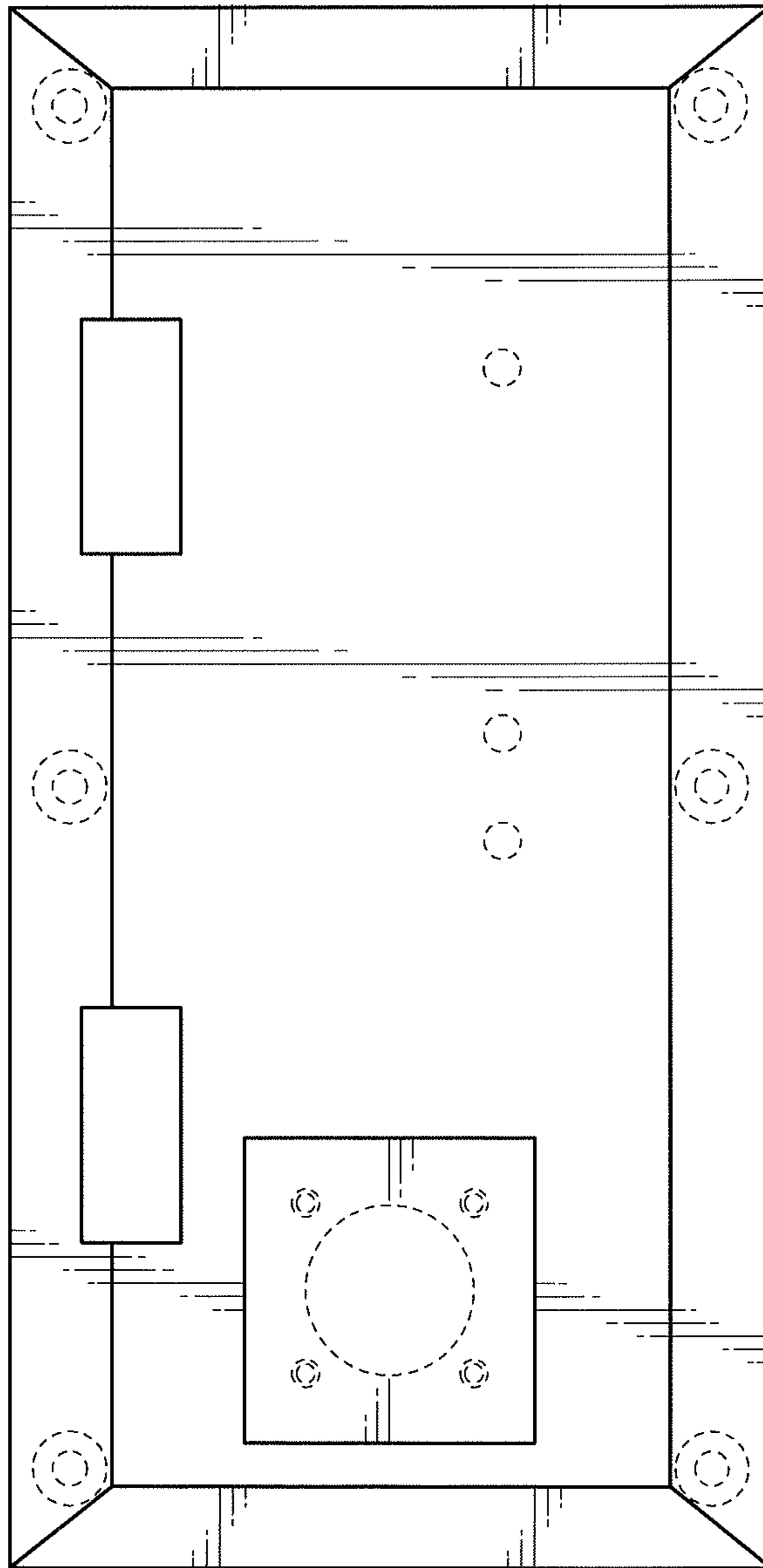


FIG. 2

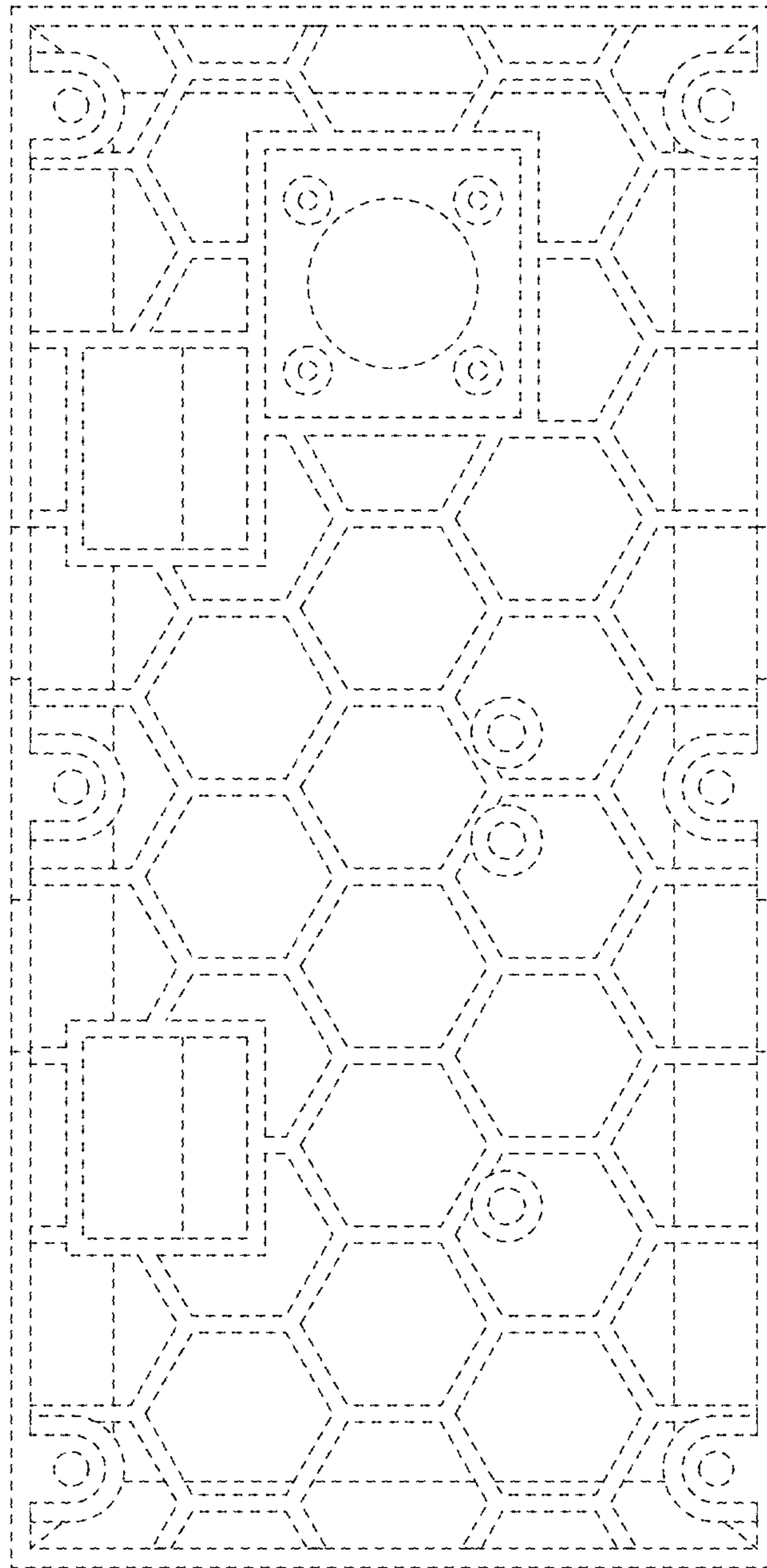


FIG. 3

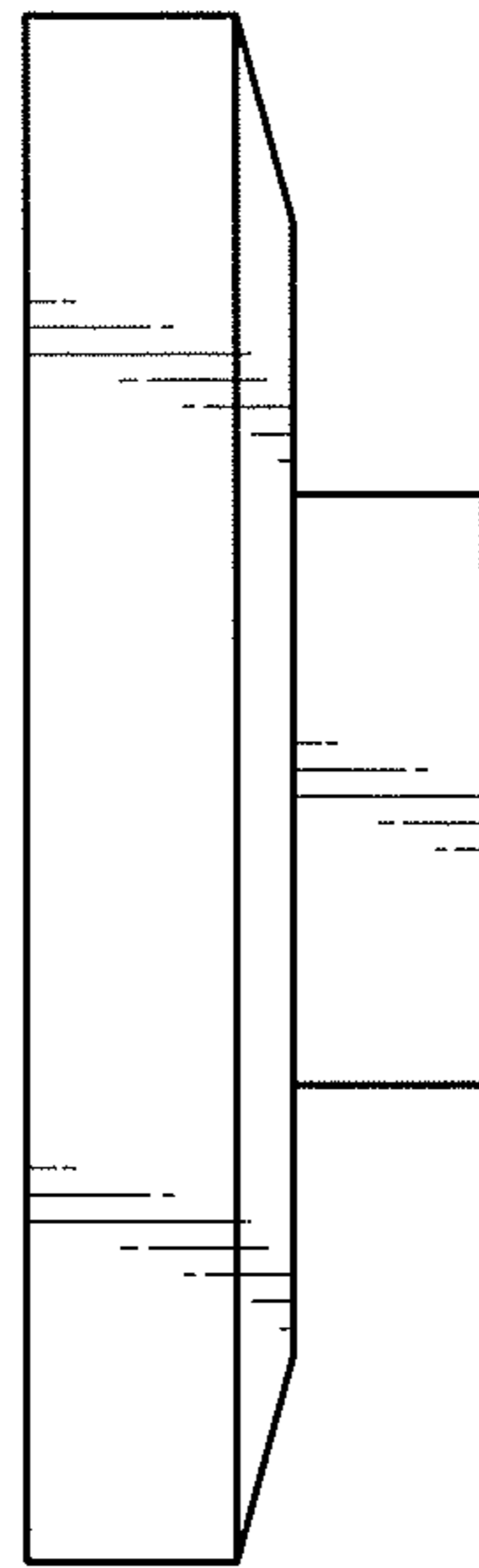


FIG. 4

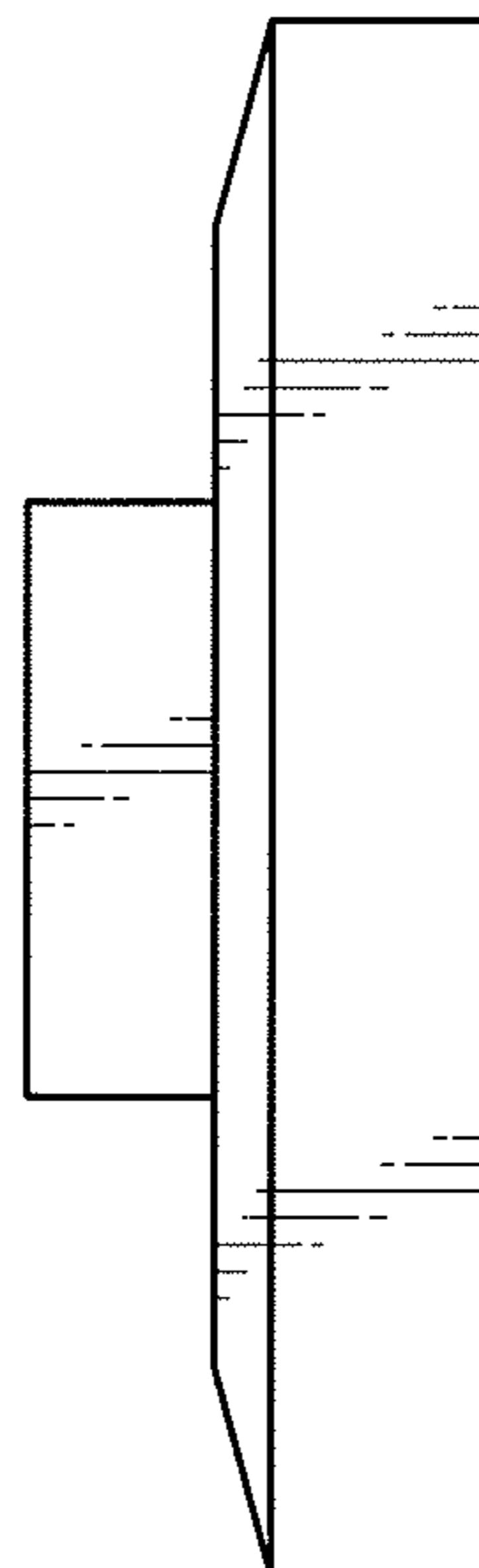


FIG. 5

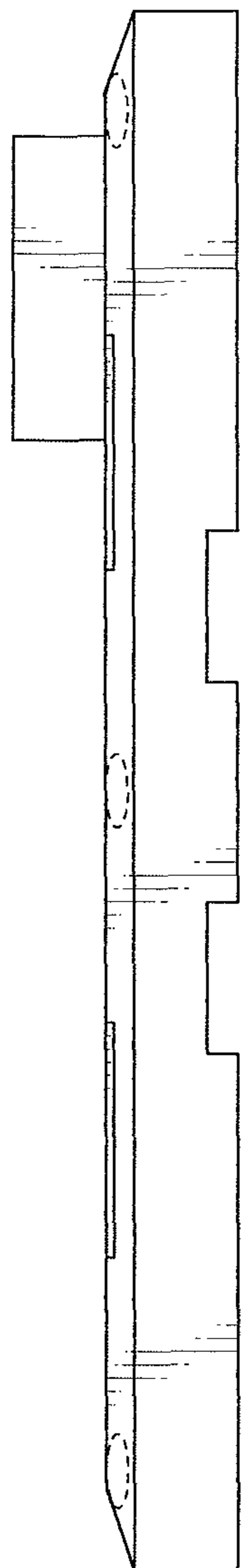


FIG. 6

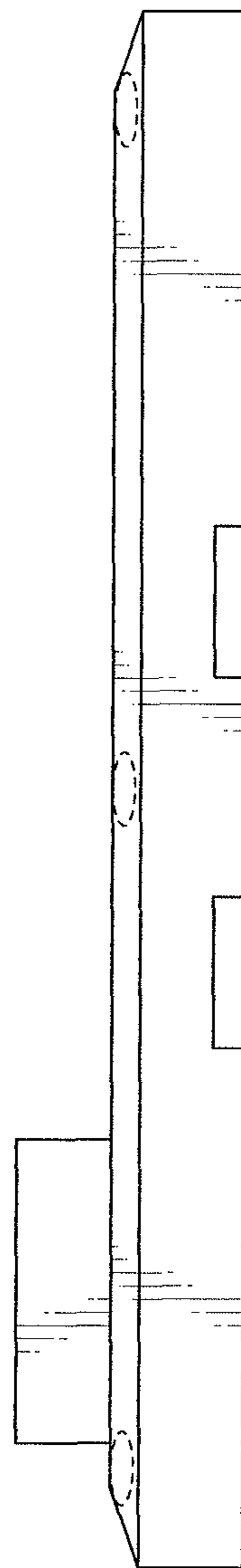


FIG. 7